



US00D693074S

(12) **United States Design Patent**  
**Stachowski et al.**

(10) **Patent No.:** **US D693,074 S**  
(45) **Date of Patent:** **\*\* Nov. 5, 2013**

(54) **LENS CLEANER**

(75) Inventors: **Breanna Stachowski**, Elma, NY (US);  
**Matthew R. Schoen**, East Williston, NY  
(US); **Michelle L. Hyers**, Greenlawn,  
NY (US); **Matthew Dierkes**, Mount  
Sinai, NY (US); **Richard G. Cameron**,  
Oyster Bay, NY (US)

(73) Assignee: **Carson Optical, Inc.**, Hauppauge, NY  
(US)

(\*\*) Term: **14 Years**

(21) Appl. No.: **29/407,565**

(22) Filed: **Nov. 30, 2011**

(51) **LOC (9) Cl.** ..... **08-99**

(52) **U.S. Cl.**  
USPC ..... **D32/35**

(58) **Field of Classification Search**  
USPC ..... D32/35, 40, 41, 42, 45, 52; D19/41-51,  
D19/57, 71, 66; D8/83, 94, 107, 300;  
D7/393, 395; D4/119, 122, 137, 138,  
D4/199; 15/104.002, 209.1, 105, 230.11,  
15/250.001, 250.003, 214; 401/9, 195,  
401/196, 202, 99, 123, 124; 206/229;  
134/6; D9/529, 726, 727; 510/175  
See application file for complete search history.

(56) **References Cited**

**U.S. PATENT DOCUMENTS**

1,261,502	A *	4/1918	Farrows	.....	401/99
D111,908	S *	10/1938	Lermer	.....	D19/71
4,818,134	A *	4/1989	Tsai	.....	401/195
4,842,132	A *	6/1989	Wells	.....	206/229
4,927,284	A *	5/1990	Tsai	.....	401/195
5,163,767	A *	11/1992	Lucas	.....	401/202
D337,939	S *	8/1993	Smith, Jr.	.....	D9/726
D342,021	S *	12/1993	Porta	.....	D9/727

D362,092	S *	9/1995	Wasak	.....	D32/40
D406,054	S *	2/1999	Wagner	.....	D9/725
5,993,560	A *	11/1999	Wasak et al.	.....	134/6
D420,807	S	2/2000	Otteman et al.		
6,964,941	B2 *	11/2005	Argentieri et al.	.....	510/175
D558,070	S *	12/2007	Bober et al.	.....	D10/46.2
D566,360	S *	4/2008	Ungaro	.....	D32/35
D569,905	S *	5/2008	Qiu et al.	.....	D19/44
D578,894	S *	10/2008	Seum et al.	.....	D9/529
D607,931	S *	1/2010	Liu	.....	D19/44
D624,239	S *	9/2010	Breidenbach et al.	.....	D28/7
2007/0009315	A1 *	1/2007	Wu	.....	401/123

**OTHER PUBLICATIONS**

www.lenspen.com/products.

\* cited by examiner

*Primary Examiner* — Caron D Veynar

*Assistant Examiner* — Martie K Holtje

(74) *Attorney, Agent, or Firm* — Carmody & Torrance LLP

(57) **CLAIM**

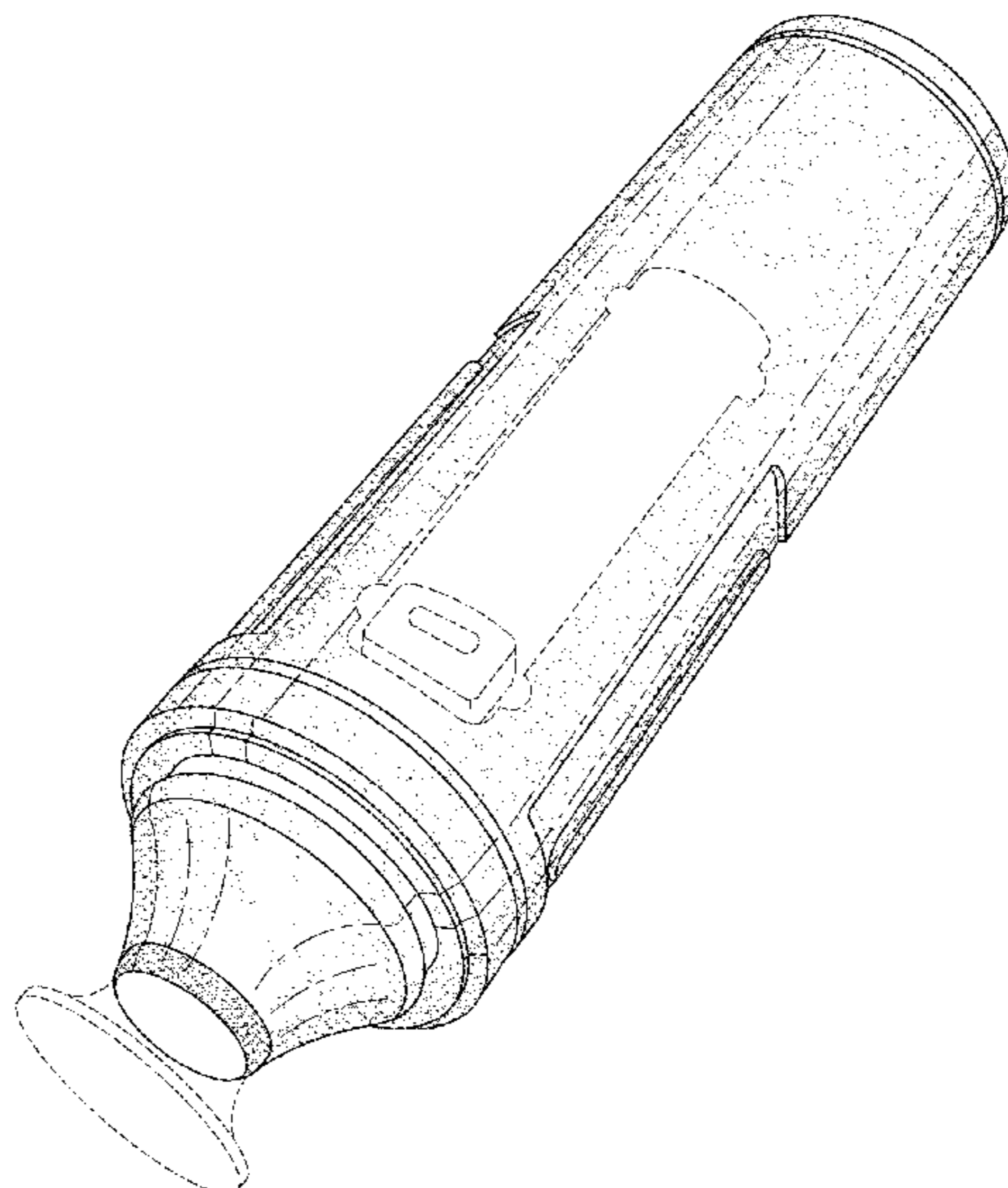
The ornamental design for a lens cleaner, as shown and described.

**DESCRIPTION**

FIG. 1 is a front perspective view of a lens cleaner showing our new design;  
FIG. 2 is a front elevational view thereof;  
FIG. 3 is a rear elevational view thereof;  
FIG. 4 is a right side elevational view thereof;  
FIG. 5 is a left side elevational view thereof;  
FIG. 6 is a bottom plan view thereof; and,  
FIG. 7 is a top plan view thereof.

The dotted lines throughout all the figures are intended to show features that are environmental only and form no part of the claimed design. In addition, there are broken lines in FIGS. 1, 2, and 3 that define bounds of the claimed design in which the area therein form no part thereof.

**1 Claim, 4 Drawing Sheets**



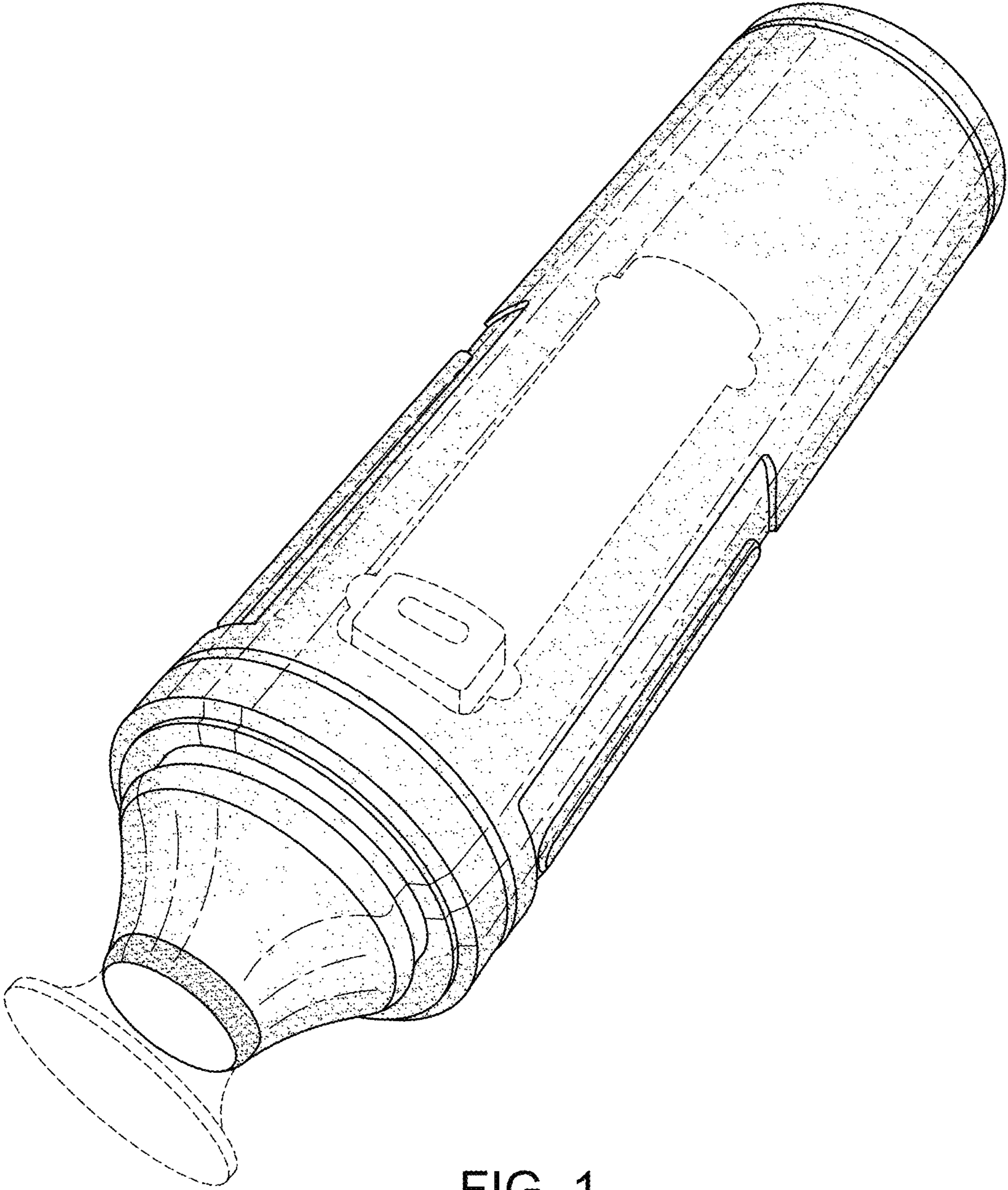


FIG. 1

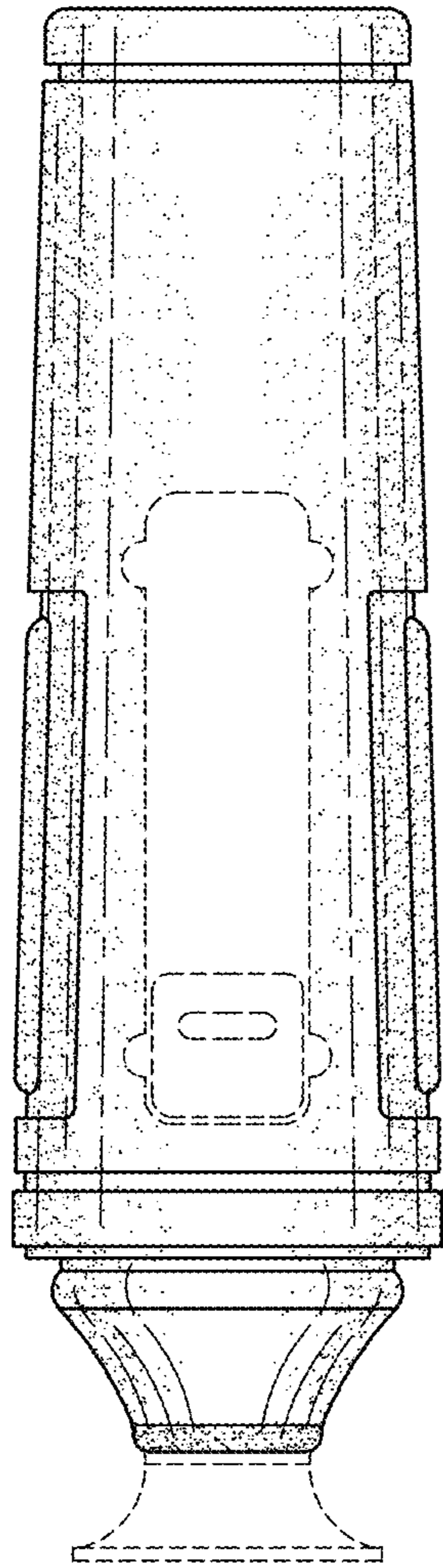


FIG. 2

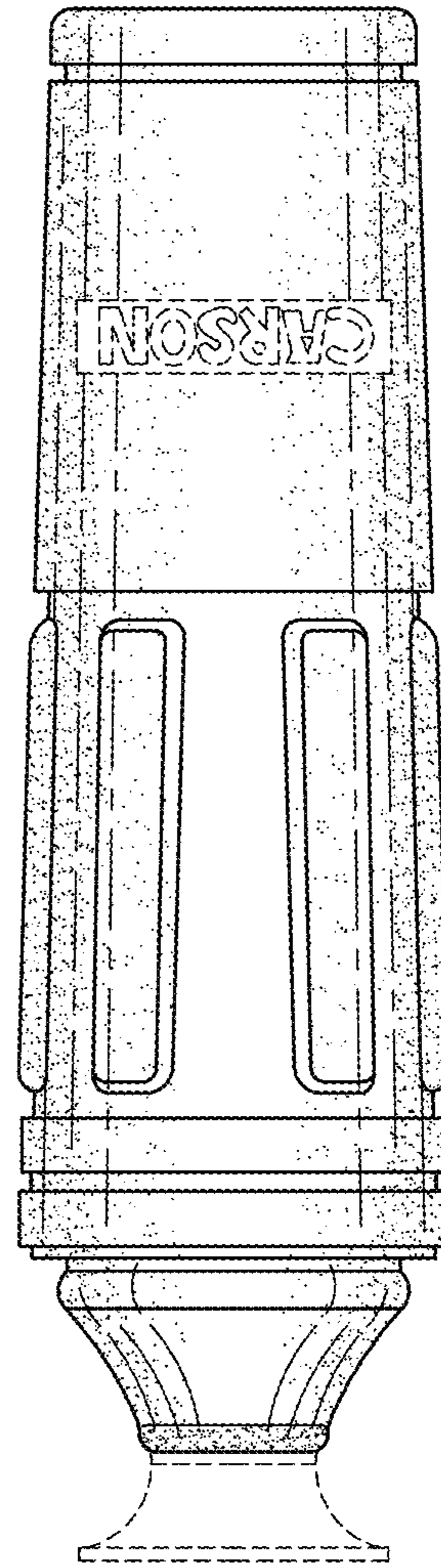


FIG. 3

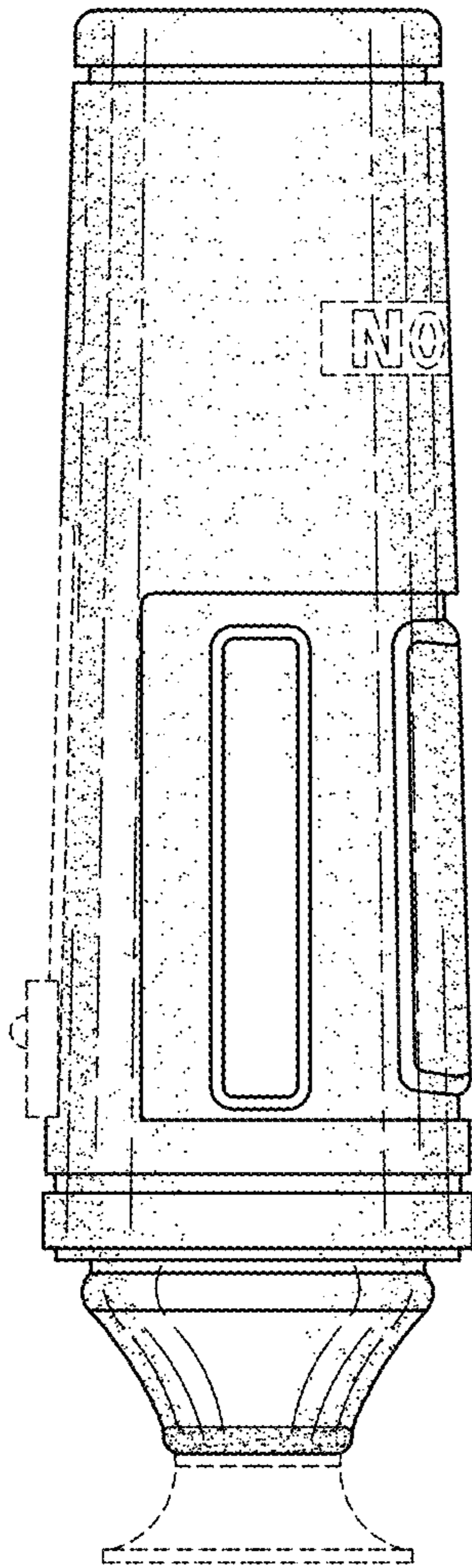


FIG. 4

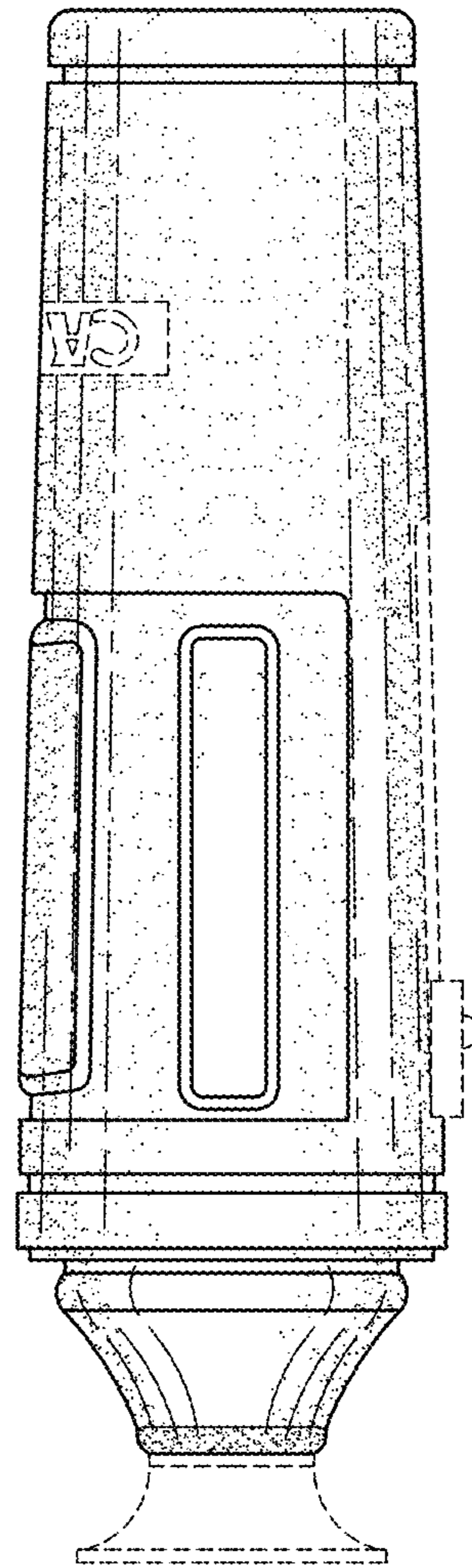


FIG. 5

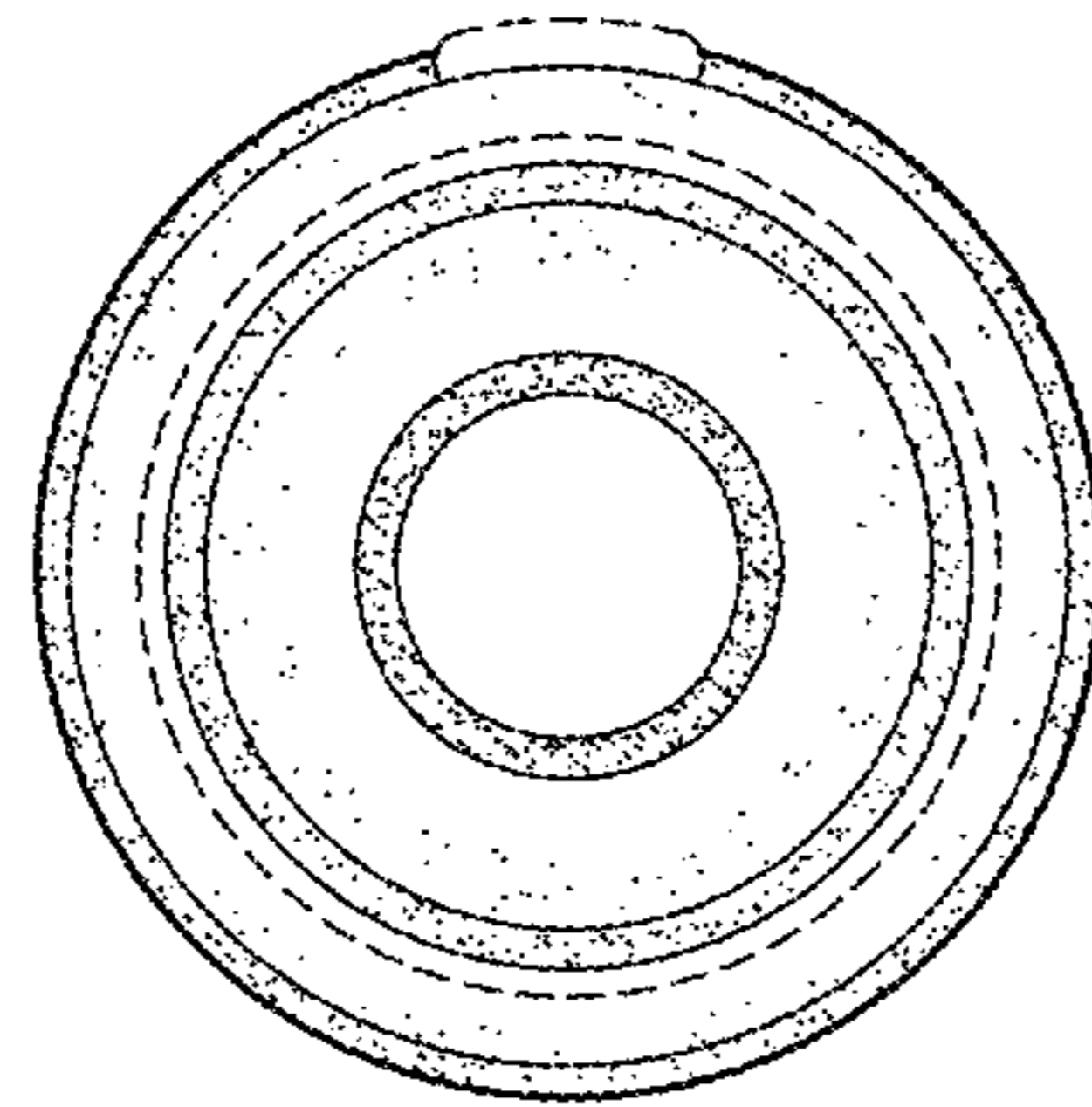


FIG. 6

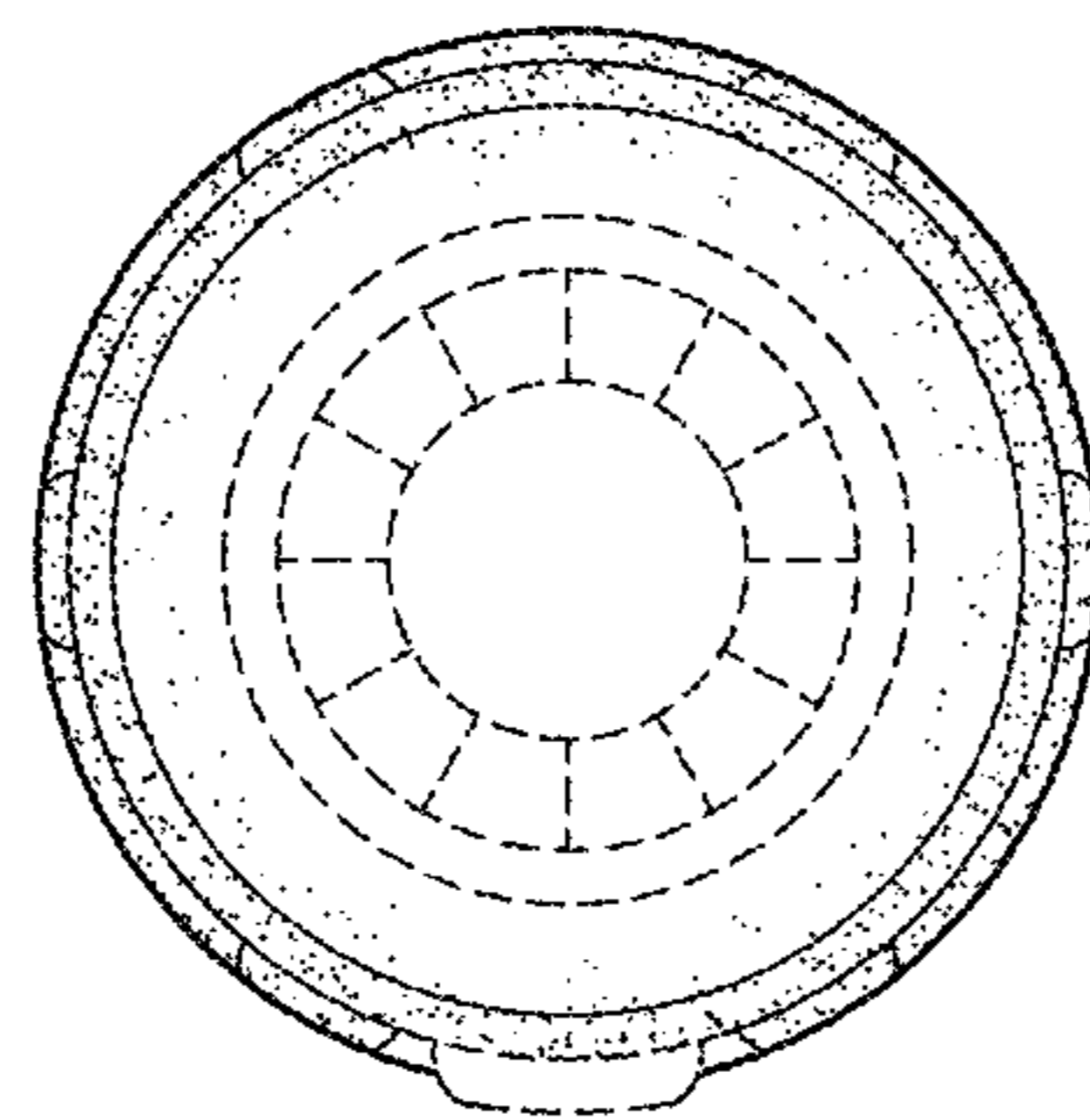


FIG. 7