

US00D693073S

(12) **United States Design Patent**
Eun-Sun et al.

(10) **Patent No.:** **US D693,073 S**
(45) **Date of Patent:** **** Nov. 5, 2013**

(54) **VACUUM CLEANER**

(75) Inventors: **Lim Eun-Sun**, Kyuggido (KR); **Hyung Jun Kim**, Seoul (KR); **Dong Won Chun**, Kyunggi-do (KR)

(73) Assignee: **Samsung Electronics Co., Ltd.**, Gyeonggi-do (KR)

(**) Term: **14 Years**

(21) Appl. No.: **29/410,971**

(22) Filed: **Jan. 13, 2012**

(51) **LOC (9) Cl.** **15-05**

(52) **U.S. Cl.**
USPC **D32/22**

(58) **Field of Classification Search**
USPC D32/22, 30-31, 34; 55/429, 337, 55/DIG. 3; 15/410, 347, 328, 350, 352, 15/353, 361, DIG. 8, 246.2, 320
See application file for complete search history.

(56) **References Cited**

U.S. PATENT DOCUMENTS

D462,813 S * 9/2002 Nakano et al. D32/22
D587,870 S * 3/2009 Baek et al. D32/22

D610,317 S * 2/2010 Lee et al. D32/22
D610,318 S * 2/2010 Shin D32/22
D633,264 S * 2/2011 Lee D32/22
D652,589 S * 1/2012 Lee D32/22
D670,878 S * 11/2012 Lee D32/22
2013/0007982 A1* 1/2013 Yun 15/347

* cited by examiner

Primary Examiner — Ruth McInroy

(74) *Attorney, Agent, or Firm* — Harness, Dickey & Pierce, P.L.C.

(57) **CLAIM**

We claim the ornamental design for a vacuum cleaner, as shown and described.

DESCRIPTION

FIG. 1 is a top, front and right-side perspective view of a vacuum cleaner showing our new design; FIG. 2 is a front elevational view thereof; FIG. 3 is a rear elevational view thereof; FIG. 4 is a left side elevational view thereof; FIG. 5 is a right side elevational view thereof; and, FIG. 6 is a top plan view thereof.

1 Claim, 6 Drawing Sheets

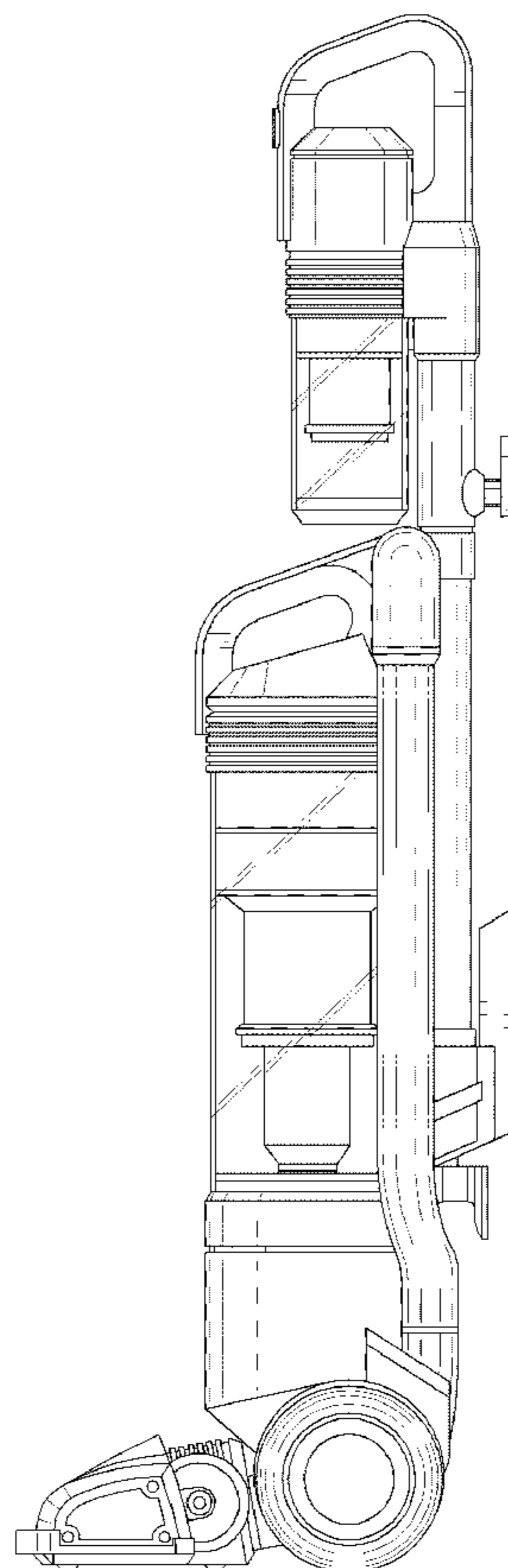
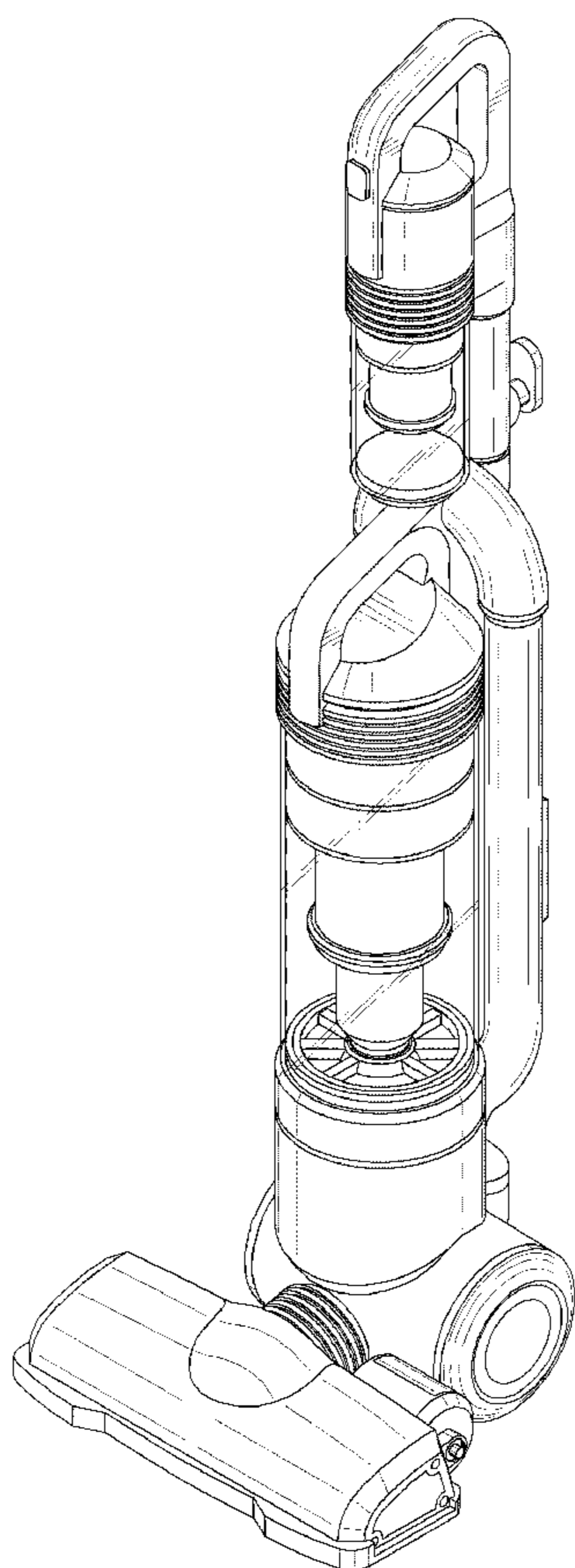


FIG. 1

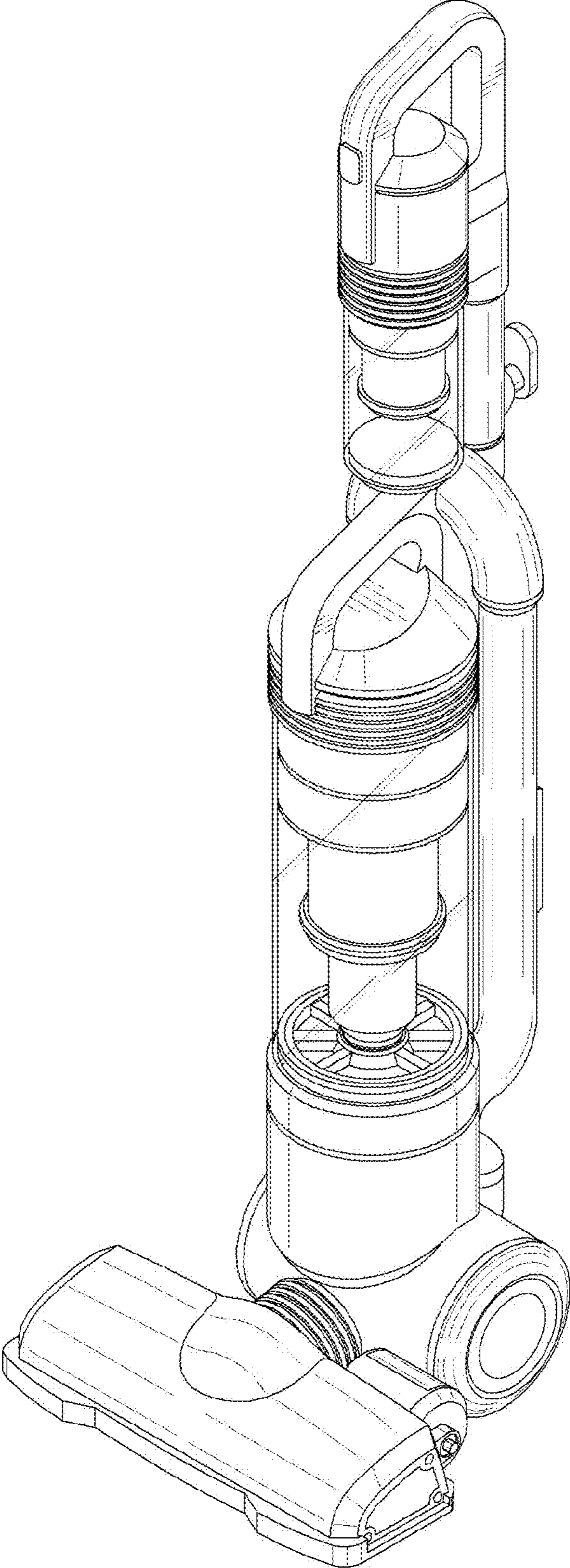


FIG. 2

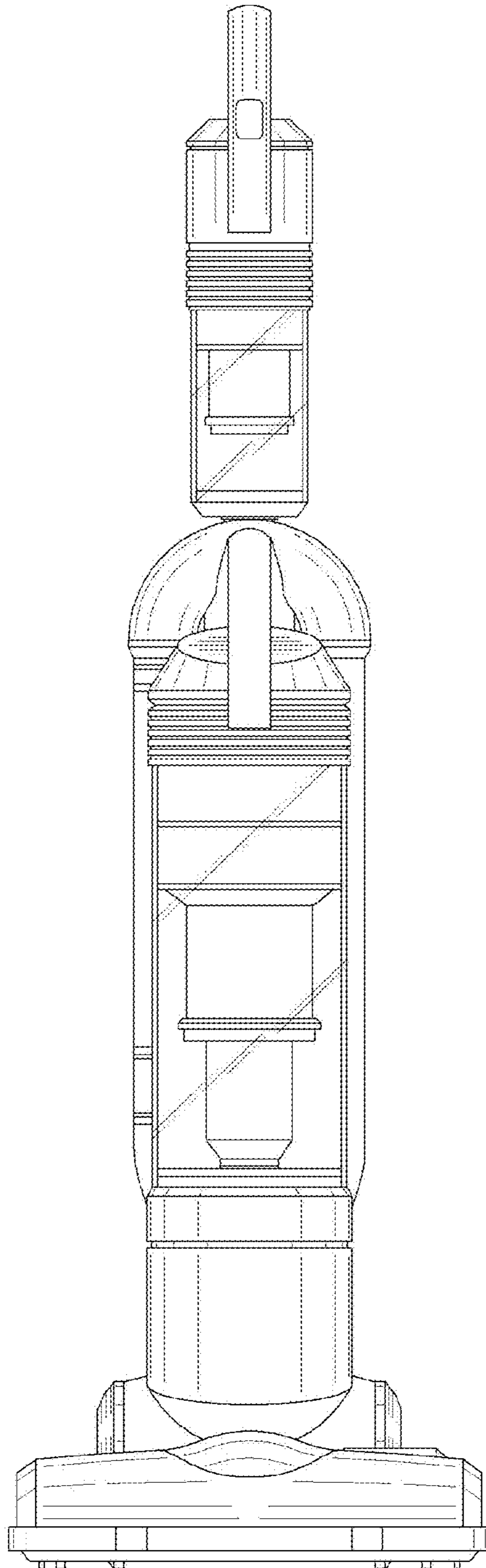


FIG. 3

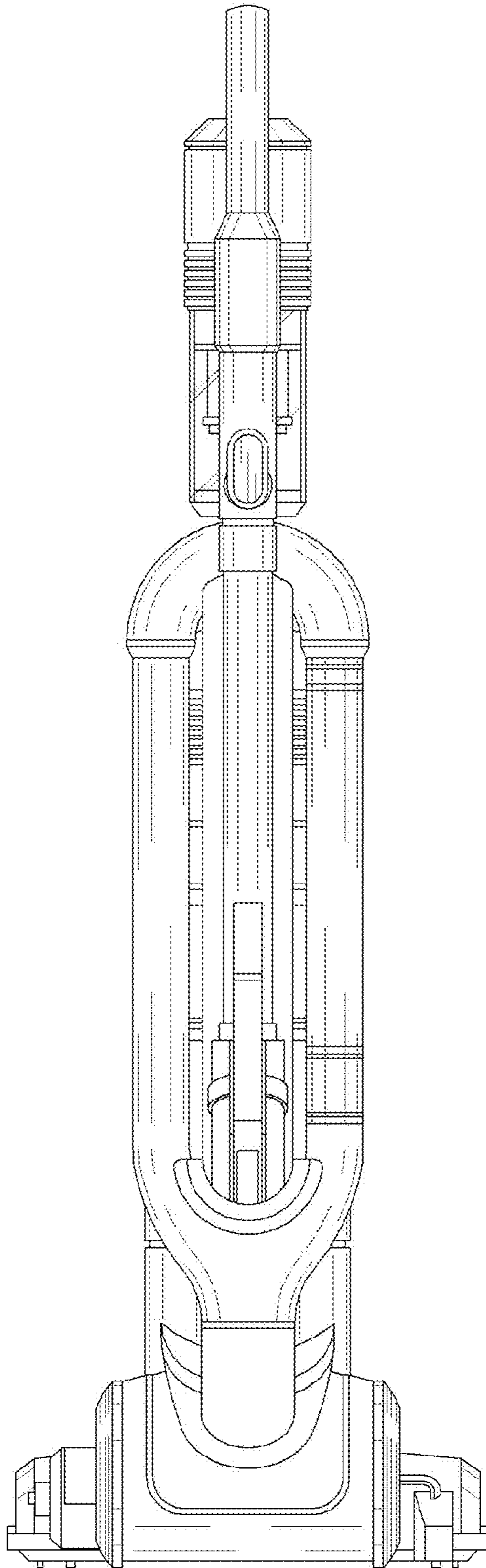


FIG. 4

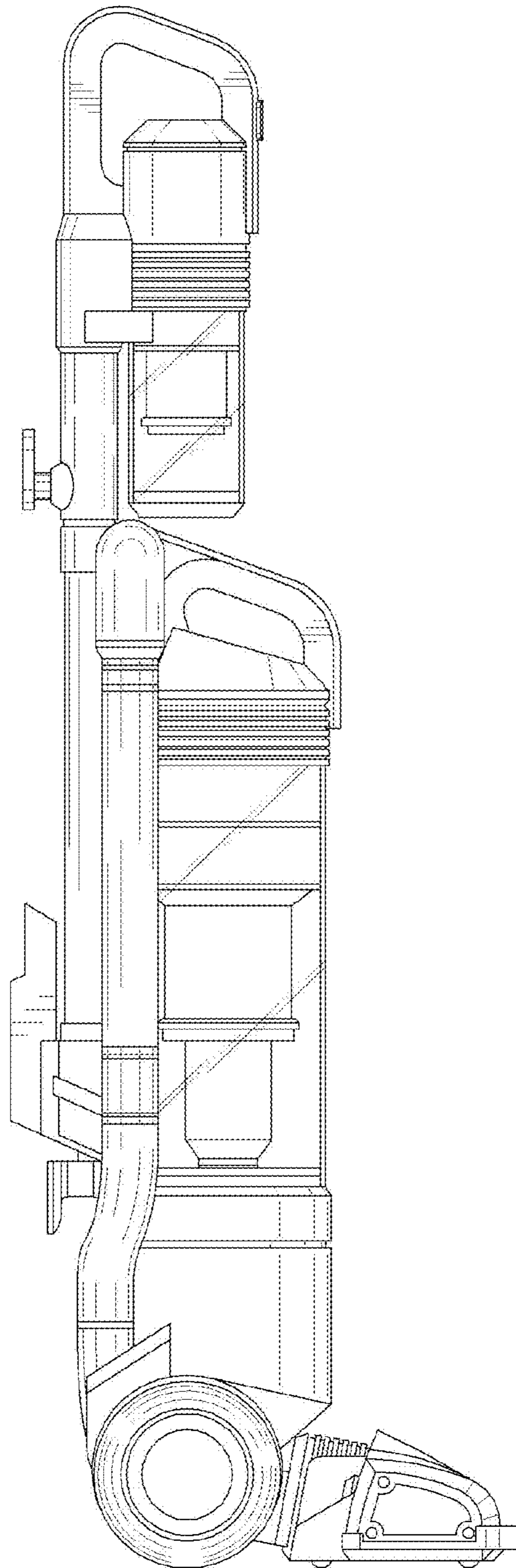


FIG. 5

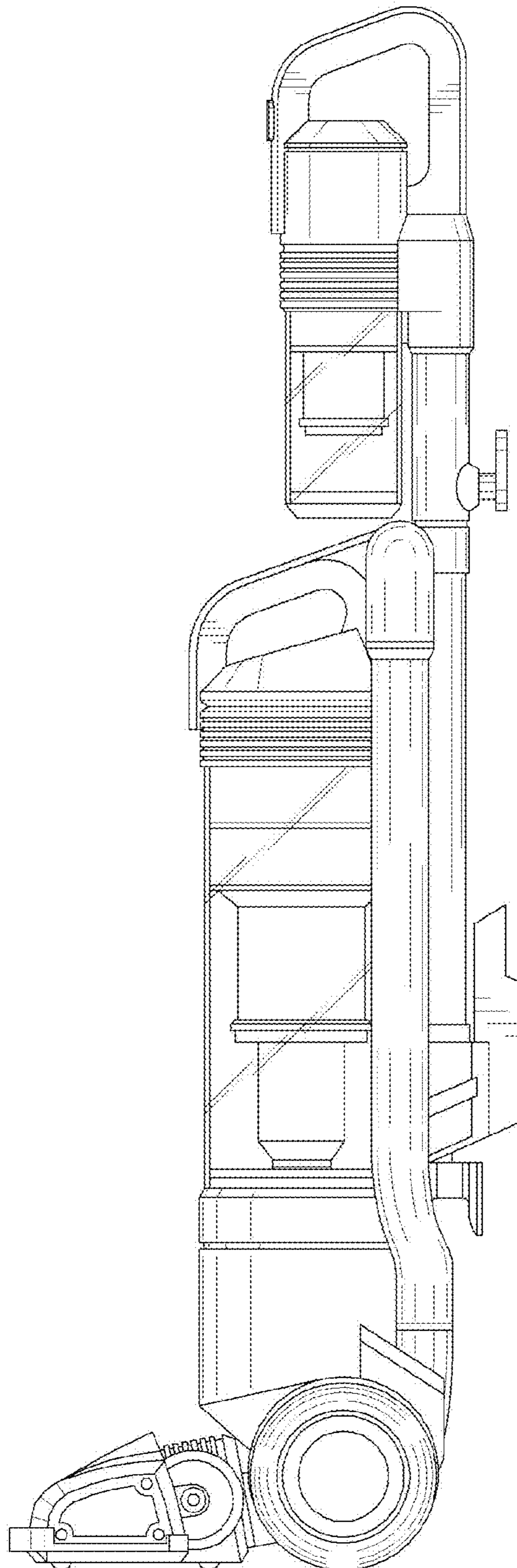


FIG. 6

