



US00D693072S

(12) **United States Design Patent**  
**Lee et al.**

(10) **Patent No.:** **US D693,072 S**  
(45) **Date of Patent:** **\*\* \*Nov. 5, 2013**

(54) **VACUUM CLEANER**

(75) Inventors: **Hyun Il Lee**, Seoul (KR); **Jong Hyub Lee**, Seoul (KR); **Deoksang Yun**, Kyunggi-do (KR); **Min Hyoug Boo**, Seoul (KR)

(73) Assignee: **Samsung Electronics Co., Ltd.**, Suwon-si (KR)

(\*) Notice: This patent is subject to a terminal disclaimer.

(\*\*) Term: **14 Years**

(21) Appl. No.: **29/383,606**

(22) Filed: **Jan. 20, 2011**

(51) **LOC (9) Cl.** ..... **15-05**

(52) **U.S. Cl.**  
USPC ..... **D32/22**

(58) **Field of Classification Search**  
USPC ..... D32/22, 31, 34; 15/347, 320, 350–353, 15/363, 410–411; 55/DIG. 3, 429  
See application file for complete search history.

(56) **References Cited**

U.S. PATENT DOCUMENTS

D510,465	S	*	10/2005	Takahashi et al.	.....	D32/22
D587,870	S	*	3/2009	Baek et al.	.....	D32/22
D610,317	S	*	2/2010	Lee et al.	.....	D32/22
D610,318	S	*	2/2010	Shin	.....	D32/22
D644,384	S	*	8/2011	Santiago et al.	.....	D32/34
D647,263	S	*	10/2011	Luebbering et al.	.....	D32/22
D652,589	S	*	1/2012	Lee	.....	D32/22
D660,532	S	*	5/2012	Kim	.....	D32/22
D670,878	S	*	11/2012	Lee	.....	D32/22

\* cited by examiner

*Primary Examiner* — Ruth McInroy

(74) *Attorney, Agent, or Firm* — Ladas & Parry LLP

(57) **CLAIM**

We claim the ornamental design for a vacuum cleaner, as shown.

**DESCRIPTION**

FIG. 1 is a top, front and right-side perspective view of a vacuum cleaner showing our new design; FIG. 2 is a front elevational view thereof; FIG. 3 is a rear elevational view thereof; FIG. 4 is a left side elevational view thereof; FIG. 5 is a right side elevational view thereof; and, FIG. 6 is a top plan view thereof.

**1 Claim, 6 Drawing Sheets**

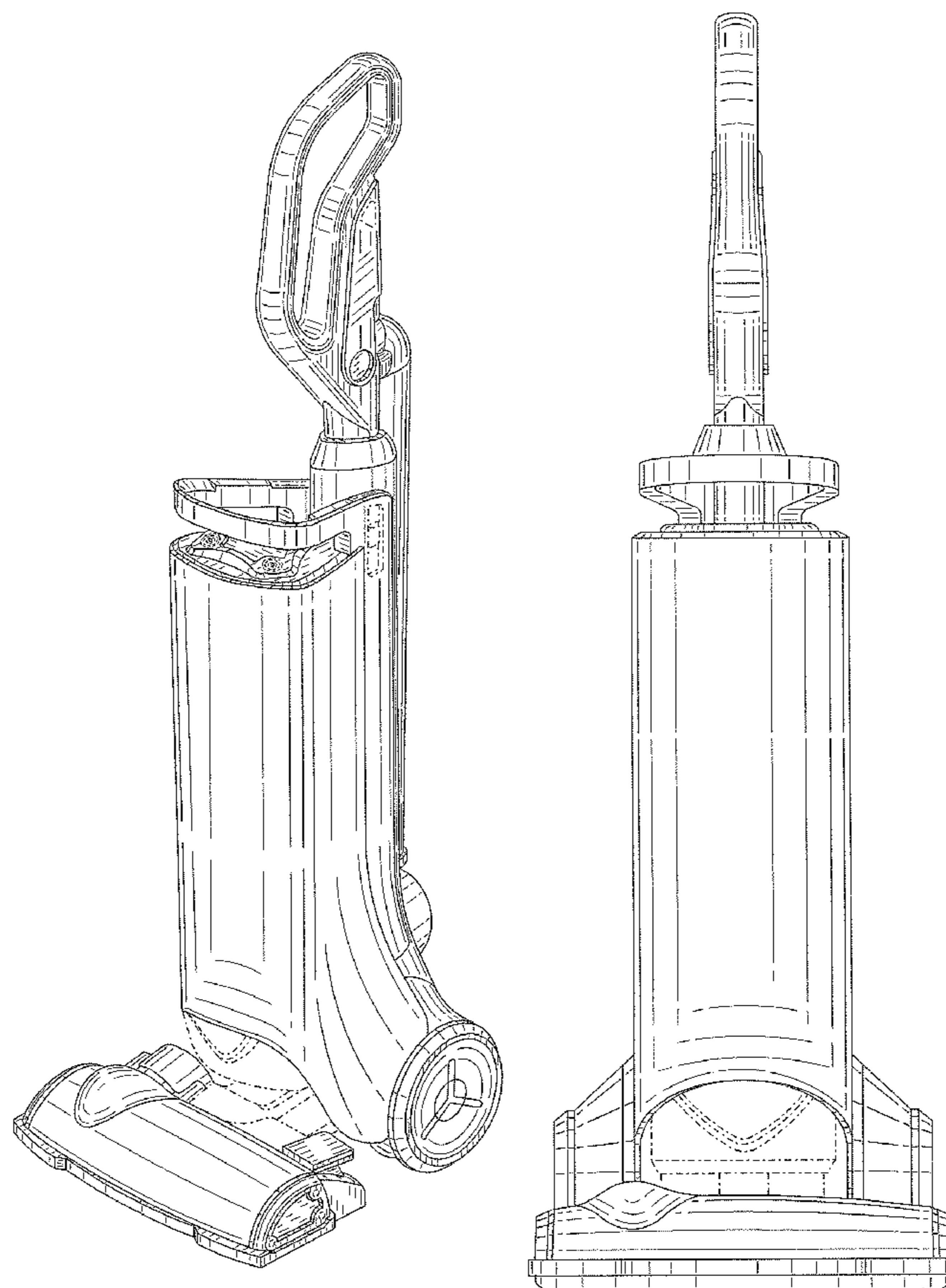


FIG. 1

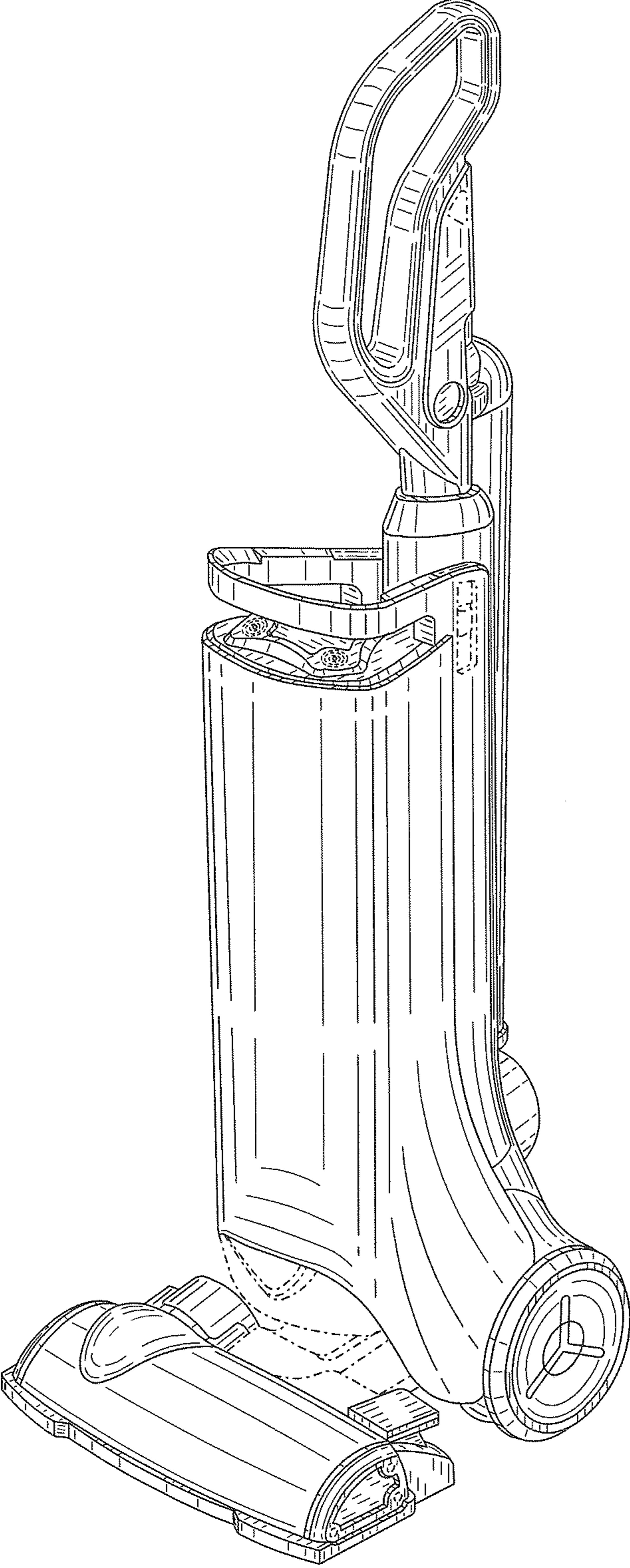


FIG. 2

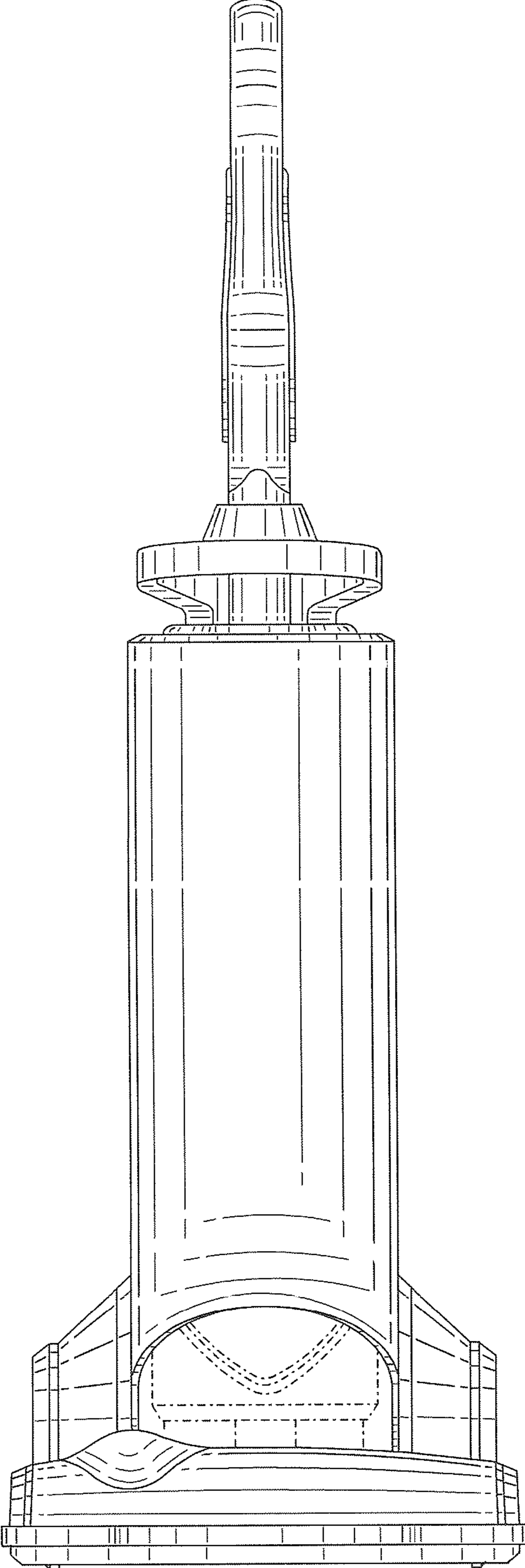


FIG. 3

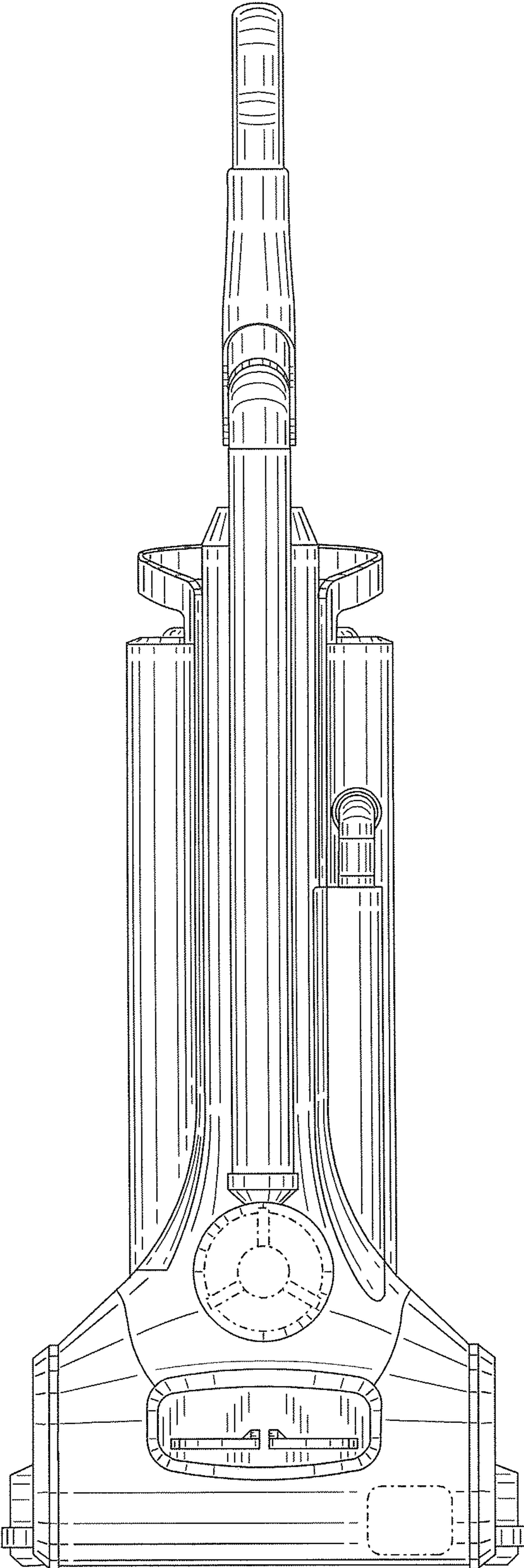




FIG. 4

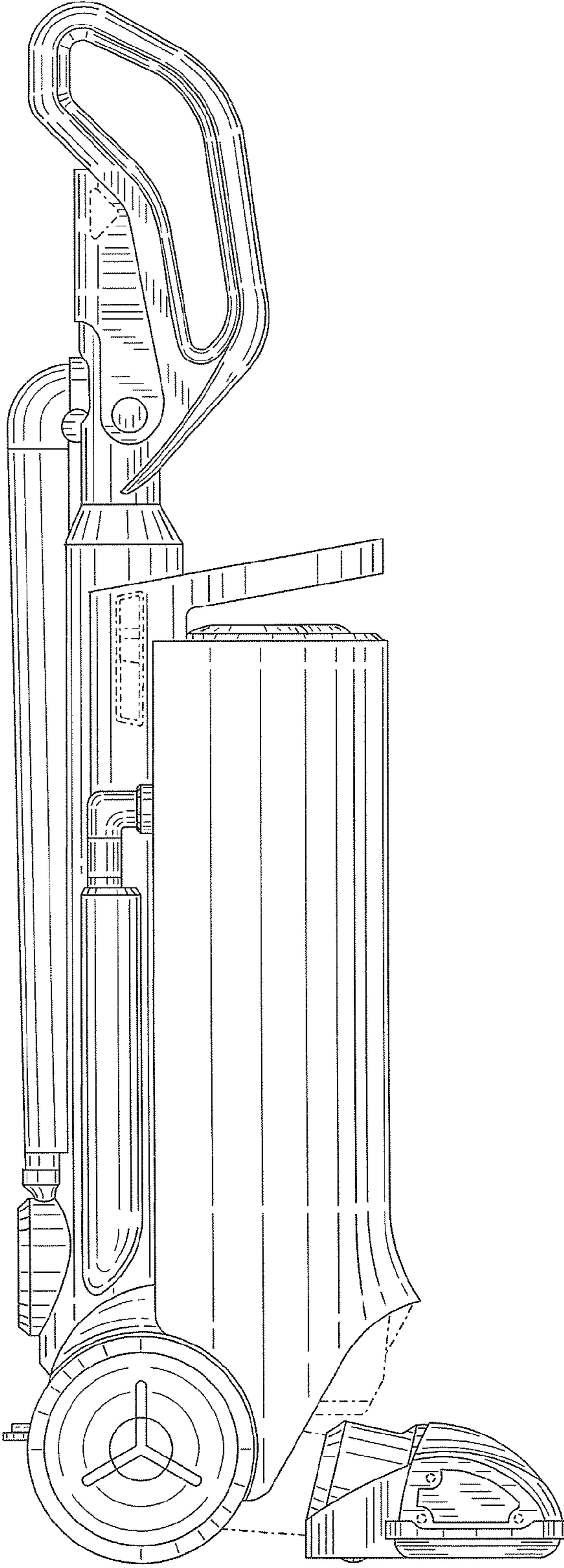
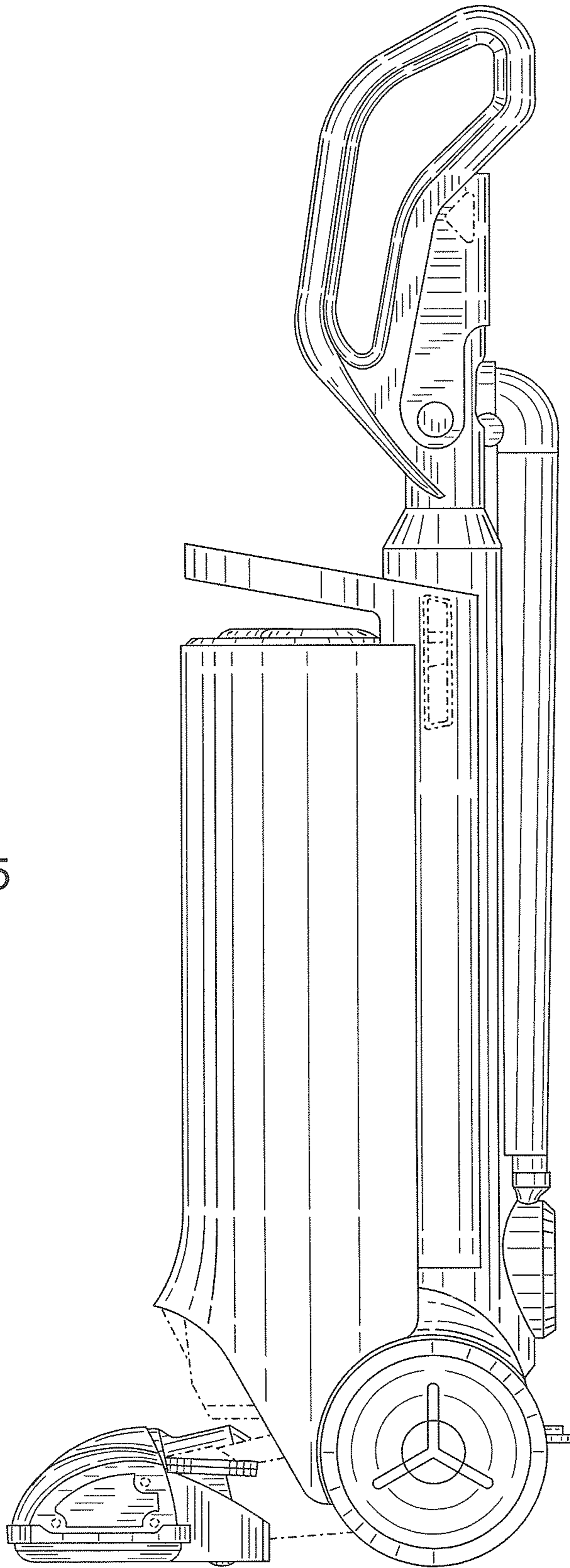


FIG. 5



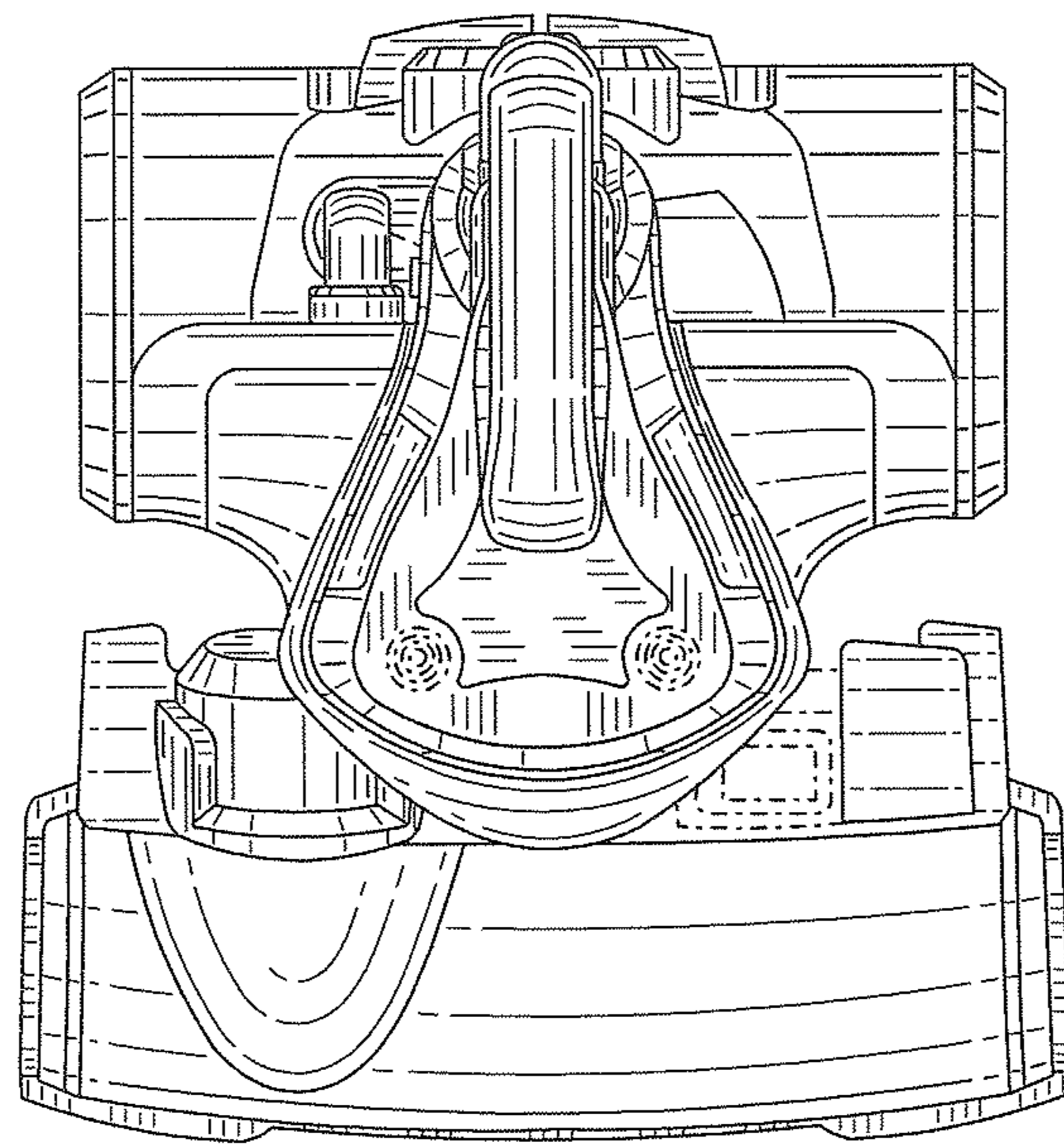


FIG. 6