



US00D693071S

(12) **United States Design Patent**
Dammkoehler

(10) **Patent No.:** **US D693,071 S**

(45) **Date of Patent:** **** Nov. 5, 2013**

(54) **FLOOR CLEANING MACHINE**

(75) Inventor: **Denis Dammkoehler**, Backnang (DE)

(73) Assignee: **Alfred Kaercher GmbH & Co. KG**,
Winnenden (DE)

(**) Term: **14 Years**

(21) Appl. No.: **29/374,322**

(22) Filed: **Jul. 27, 2011**

(30) **Foreign Application Priority Data**

Feb. 11, 2011 (WO) DM/075 355

(51) **LOC (9) Cl.** **15-05**

(52) **U.S. Cl.**
USPC **D32/16**

(58) **Field of Classification Search**
USPC D32/1, 4, 15-16, 19-20; 15/49.1, 50.1,
15/50.3, 52.1, 320-321, 323, 340.1, 340.3,
15/340.5; 134/115 R

See application file for complete search history.

(56) **References Cited**

U.S. PATENT DOCUMENTS

D202,170 S	9/1965	Little et al.	
4,759,094 A	7/1988	Palmer et al.	
4,803,753 A	2/1989	Palmer	
D364,012 S *	11/1995	Bothun et al.	D32/19
D365,423 S	12/1995	Bores et al.	
D369,446 S *	4/1996	Smith	D32/19
D370,320 S	5/1996	Hachtmann	
5,829,095 A	11/1998	Legatt et al.	
D406,804 S	3/1999	Sacco et al.	
5,890,258 A	4/1999	Lee	
D417,045 S	11/1999	Dziersk et al.	
6,131,240 A *	10/2000	Shark et al.	15/355
6,427,285 B1	8/2002	Legatt et al.	
6,585,827 B2 *	7/2003	Field et al.	134/6

6,648,177 B2	11/2003	Burger	
6,684,452 B2 *	2/2004	Lehman et al.	15/320
6,705,332 B2 *	3/2004	Field et al.	134/102.1
6,871,371 B2 *	3/2005	Guest	15/49.1
D510,896 S	10/2005	Hoelzel et al.	
7,055,201 B2	6/2006	Buchegger et al.	
7,059,004 B2 *	6/2006	Mitchell et al.	15/50.1
D528,254 S	9/2006	Michael et al.	
D536,842 S	2/2007	Pedlar	
D536,846 S	2/2007	Pedlar	
D542,988 S	5/2007	Dammkoehler et al.	

(Continued)

OTHER PUBLICATIONS

Extract from catalog of Alfred Kaercher GmbH & Co. KG, "Programme 2006", cover, pp. 181-187, 190-193, 195-196 and last page (Dec. 2005).

(Continued)

Primary Examiner — T. Chase Nelson

Assistant Examiner — Kathleen M Sims

(74) *Attorney, Agent, or Firm* — Lipsitz & McAllister, LLC

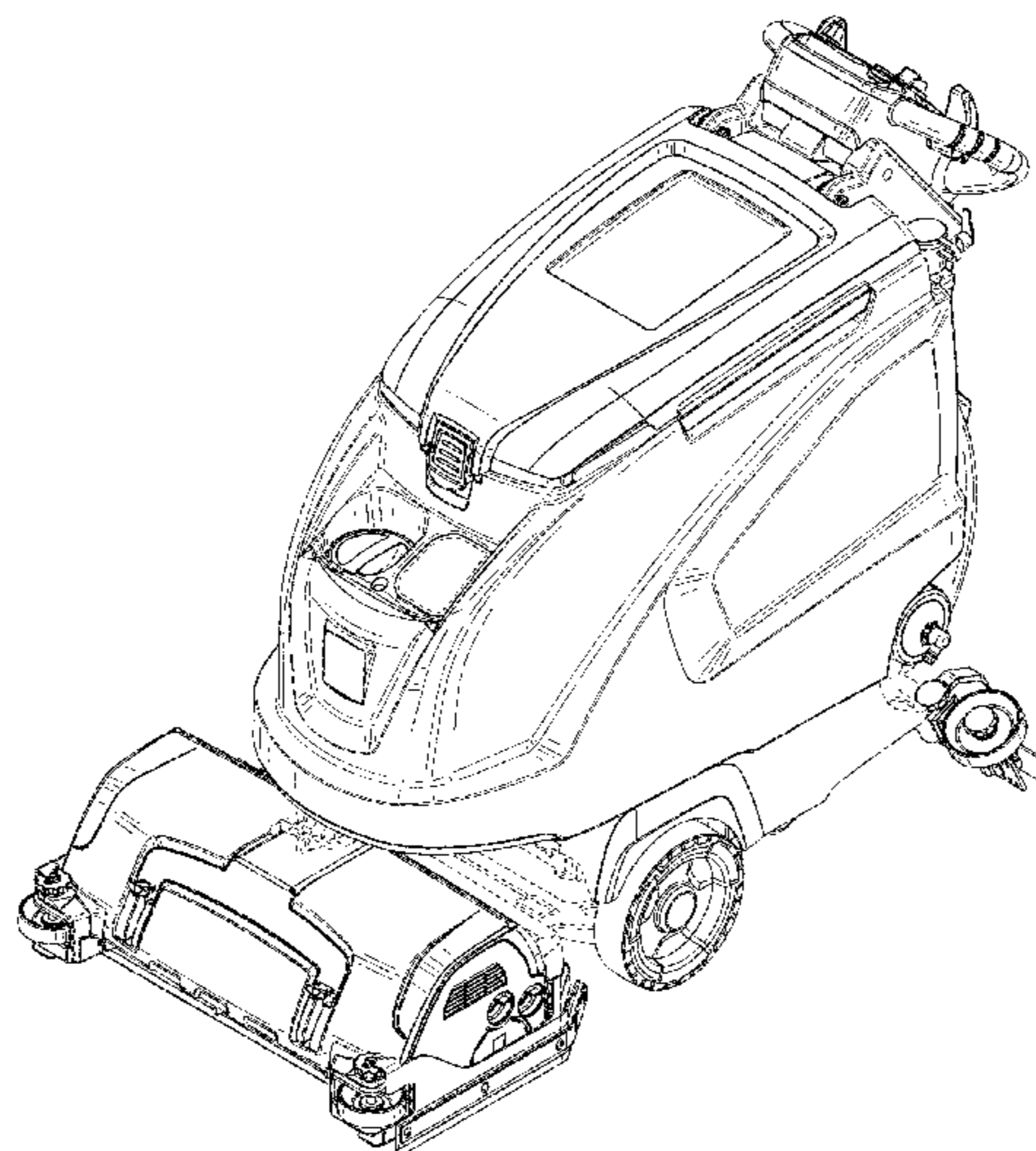
(57) **CLAIM**

The ornamental design for a floor cleaning machine, as shown and described.

DESCRIPTION

FIG. 1 is a front, top and right side perspective view of a floor cleaning machine showing my new design; FIG. 2 is a front, top and left side perspective view showing the design; FIG. 3 is a front elevational view of the design; FIG. 4 is a right side elevational view of the design; FIG. 5 is a left side elevational view of the design; and, FIG. 6 is a top plan view of the design. The broken line showing of various elements in the drawings forms no part of the claimed design.

1 Claim, 6 Drawing Sheets



(56)

References Cited

U.S. PATENT DOCUMENTS

D544,659	S *	6/2007	Auerswald et al.	D32/16
D549,405	S *	8/2007	Dammkoehler	D32/16
D569,057	S	5/2008	Goff		
D569,773	S	5/2008	Niebuhr		
7,370,386	B2 *	5/2008	Lehman et al.	15/320
D571,512	S *	6/2008	Dammkoehler et al.	D32/15
D593,717	S	6/2009	Vernazza		
D619,516	S	7/2010	Niebuhr		
D659,308	S *	5/2012	Dammkoehler	D32/16
D661,853	S *	6/2012	Dammkoehler	D32/16
8,245,345	B2 *	8/2012	Pedlar et al.	15/49.1
8,261,759	B2 *	9/2012	Kelle et al.	134/198
2002/0073494	A1	6/2002	Stuchlik		
2003/0019068	A1 *	1/2003	Field et al.	15/320
2003/0070249	A1 *	4/2003	Lehman et al.	15/320
2003/0070252	A1	4/2003	Pedlar et al.		
2005/0081319	A1 *	4/2005	Legatt	15/320
2005/0132527	A1	6/2005	Pedlar et al.		
2006/0236494	A1 *	10/2006	Nelson et al.	15/320
2011/0023918	A1 *	2/2011	Kelle et al.	134/115 R
2012/0096671	A1 *	4/2012	Venard et al.	15/347

OTHER PUBLICATIONS

Extract from catalog of Alfred Kaercher GmbH & Co. KG, "Programme 2007", cover, pp. 203-211, 219-220 and last page (Jan. 2007).

Extract from catalog of Alfred Kaercher GmbH & Co. KG, "Programme 2008", cover, pp. 214-225, 233, 235 and last page (Dec. 2007).

Extract from catalog of Alfred Kaercher GmbH & Co. KG, "Programme 2009 Kaercher Professional Commercial", cover, pp. 135, 147, 154-165 and last page (Mar. 2009).

Extract from catalog of Alfred Kaercher GmbH & Co. KG, "Programme 2010 Kaercher Professional", cover, pp. 146, 159, 166-177 and last page (Nov. 2009).

Extract from catalog of Alfred Kaercher GmbH & Co. KG, "Programme 2003", cleaning apparatus BD 530 and cleaning apparatus BR/BD 750, 3 pages, 2003.

Homepage and "Swipper der Müllsauger Details" of David P. Stummer, www.swipper.at (3 pages), printed Dec. 1, 2006 and Sep 22, 2006, © 2003.

Homepage and "Glutton" product photo of Albrecht Bertsche, www.berkom.com (3 pages), printed Dec. 1, 2006.

http://www.karchercomercial.com/images/productservices/hw_com.jpg Dec. 14, 2007.

http://www.karchercomercial.com/images/productservices/hds_classic_hw1.jpg Dec. 14, 2007.

http://www.karchercomercial.com/images/productservices/hds_full_size_sm.jpg Dec. 14, 2007.

Extract from catalog of Alfred Kaercher GmbH & Co. KG, "Catalogue 2001/2002", cover, pp. 20, 21, 87 and last page (Jun. 2001).

Extract from catalog of Alfred Kaercher GmbH & Co. KG, "Programme 2002", cover, pp. 38, 48, 50, 52, 53, 58 and last page (Feb. 2002).

Extract from catalog of Alfred Kaercher GmbH & Co. KG, "Programme 2003", cover, pp. 12, 46, 52, 53, 56, 58, 60, 61, 66 and last page (Dec. 2002).

Extract from catalog of Alfred Kaercher GmbH & Co. KG, "Programme 2004", cover, pp. 16, 78-83, 85, 92 and last page (Feb. 2004).

Extract from catalog of Alfred Kaercher GmbH & Co. KG, "Programme 2005", cover, pp. 14, 75, 78-83, 85 and last page (Dec. 2004).

Extract from catalog of Alfred Kaercher GmbH & Co. KG, "Programme 2006", cover, pp. 86-91, 93 and last page (Dec. 2005).

Extract from catalog of Alfred Kaercher GmbH & Co. KG, "Programme 2006", cover, pp. 181-187, 190-193, 195 and last page (Dec. 2005).

Extract from catalog of Alfred Kaercher GmbH & Co. KG, "Programme 2007", cover, pp. 203-211, 219 and last page (Jan. 2007).

Extract from catalog of Alfred Kaercher GmbH & Co. KG, "Programme 2008", cover, pp. 214-222, 224, 225, 233 and last page (Dec. 2007).

Extract from catalog of Alfred Kaercher GmbH & Co. KG, "Programme 2009 Kaercher Professional Commercial", cover, pp. 147, 154-165 and last page (Mar. 2009).

Extract from catalog of Alfred Kaercher GmbH & Co. KG, "Programme 2010 Kaercher Professional", cover, pp. 159, 166-177 and last page (Nov. 2009).

* cited by examiner

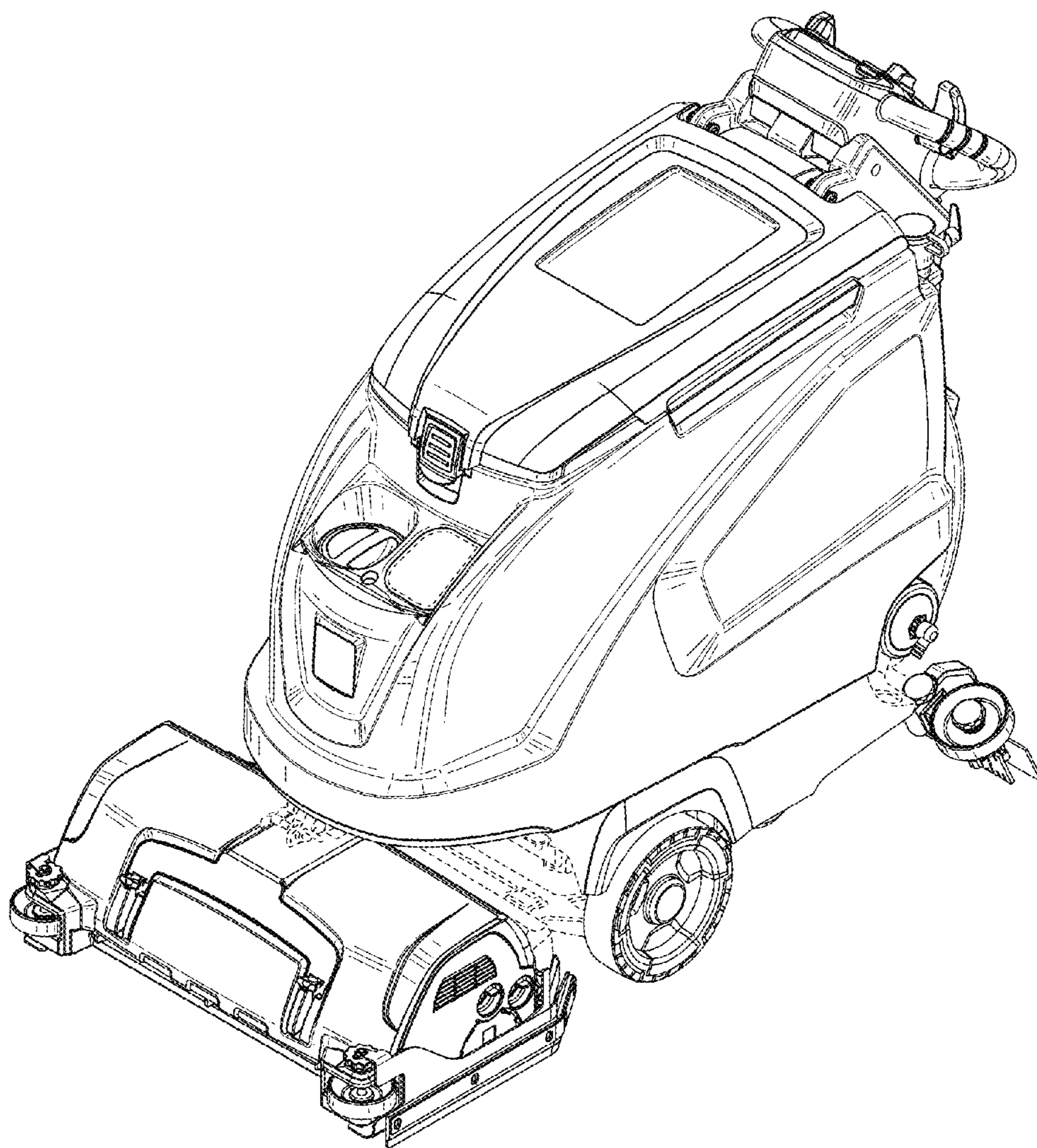


FIG. 1

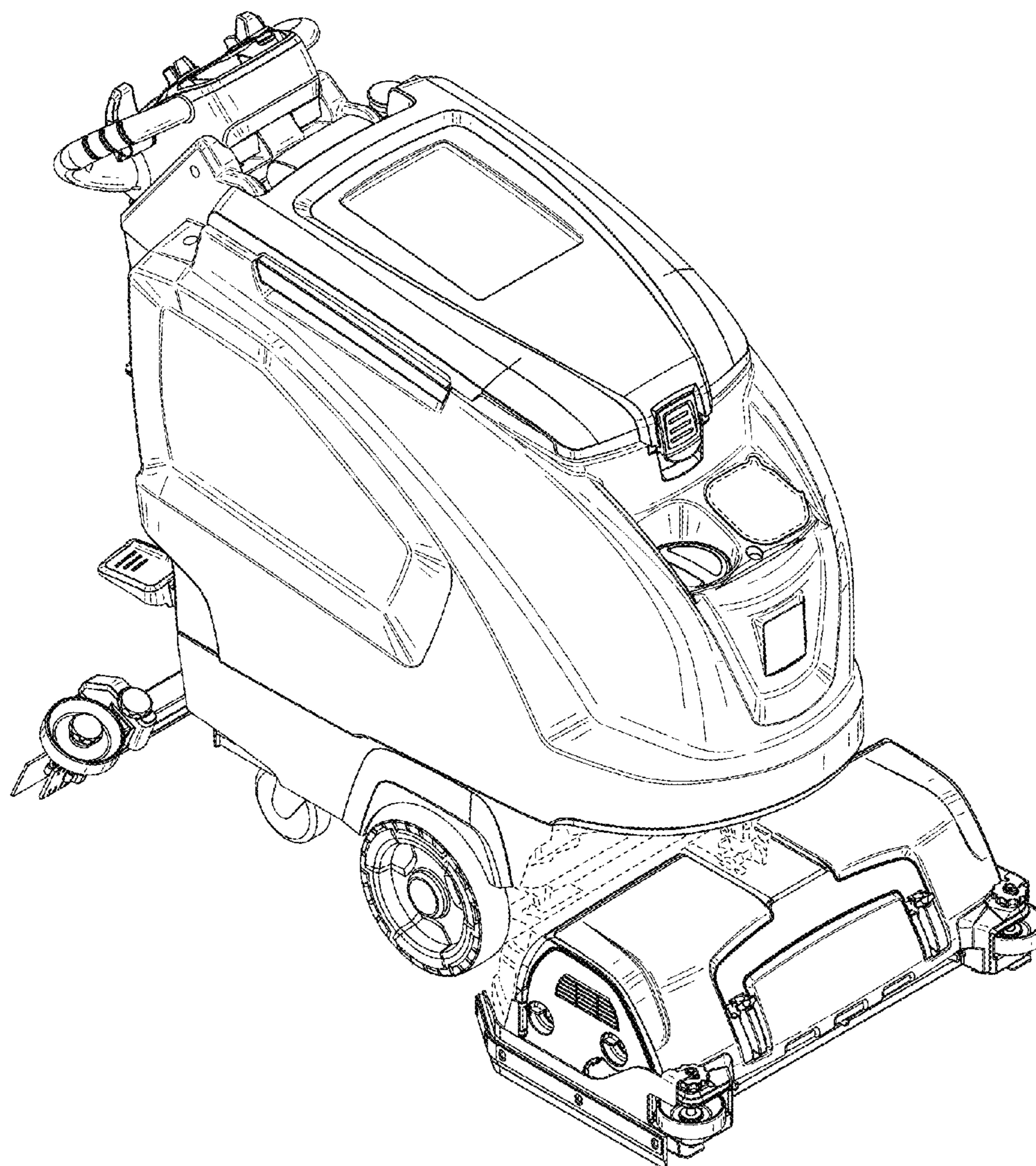


FIG. 2

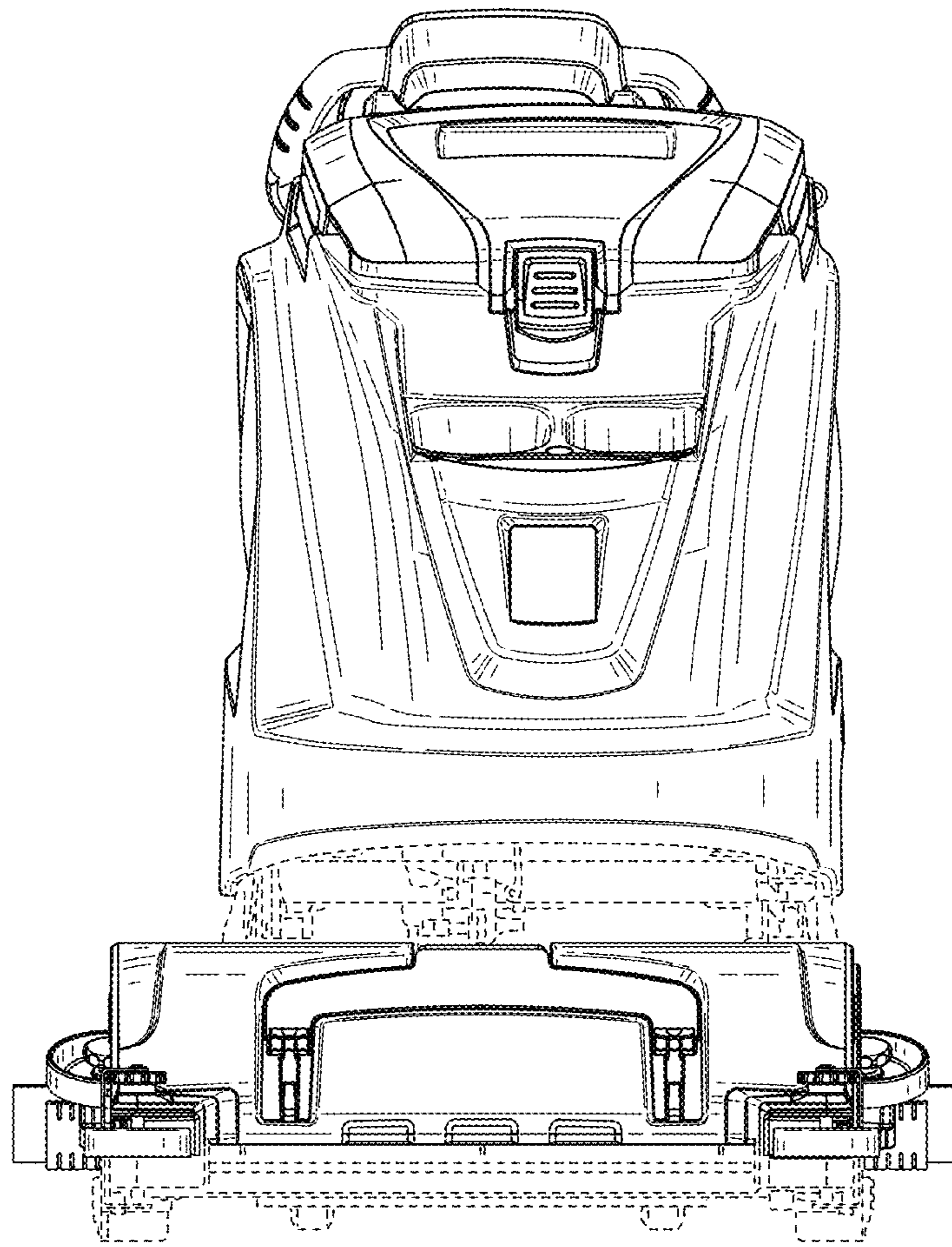


FIG. 3

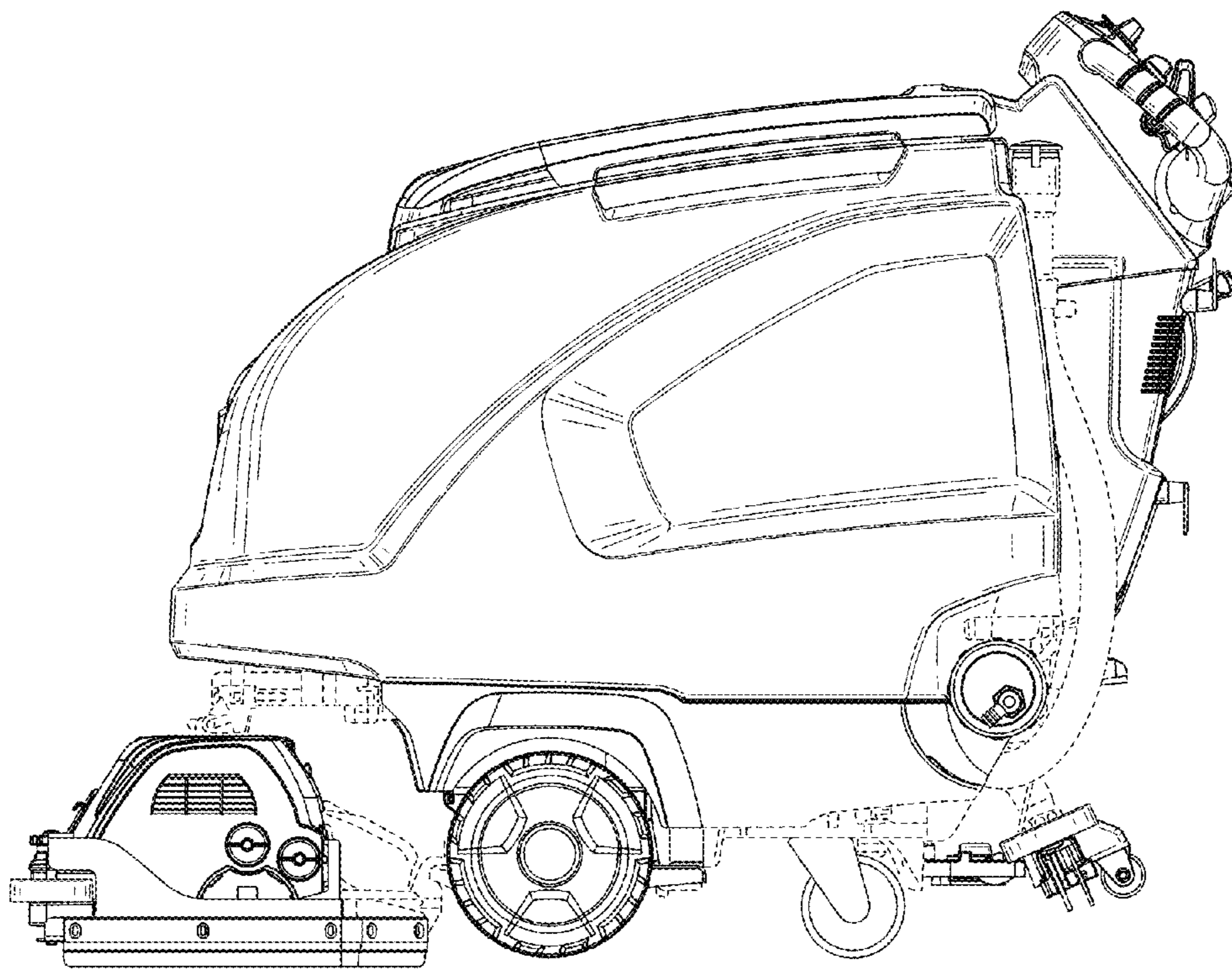


FIG. 4

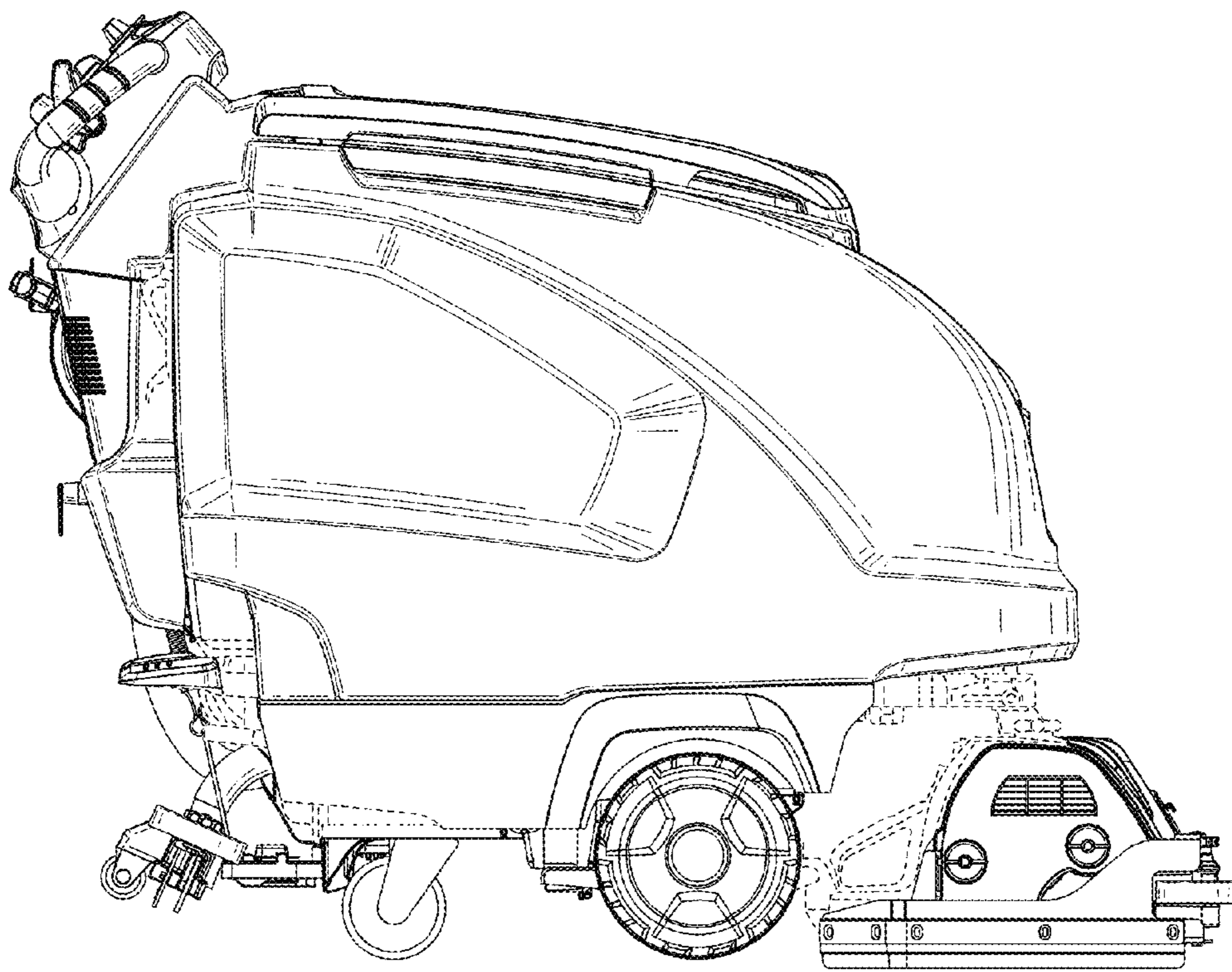


FIG. 5

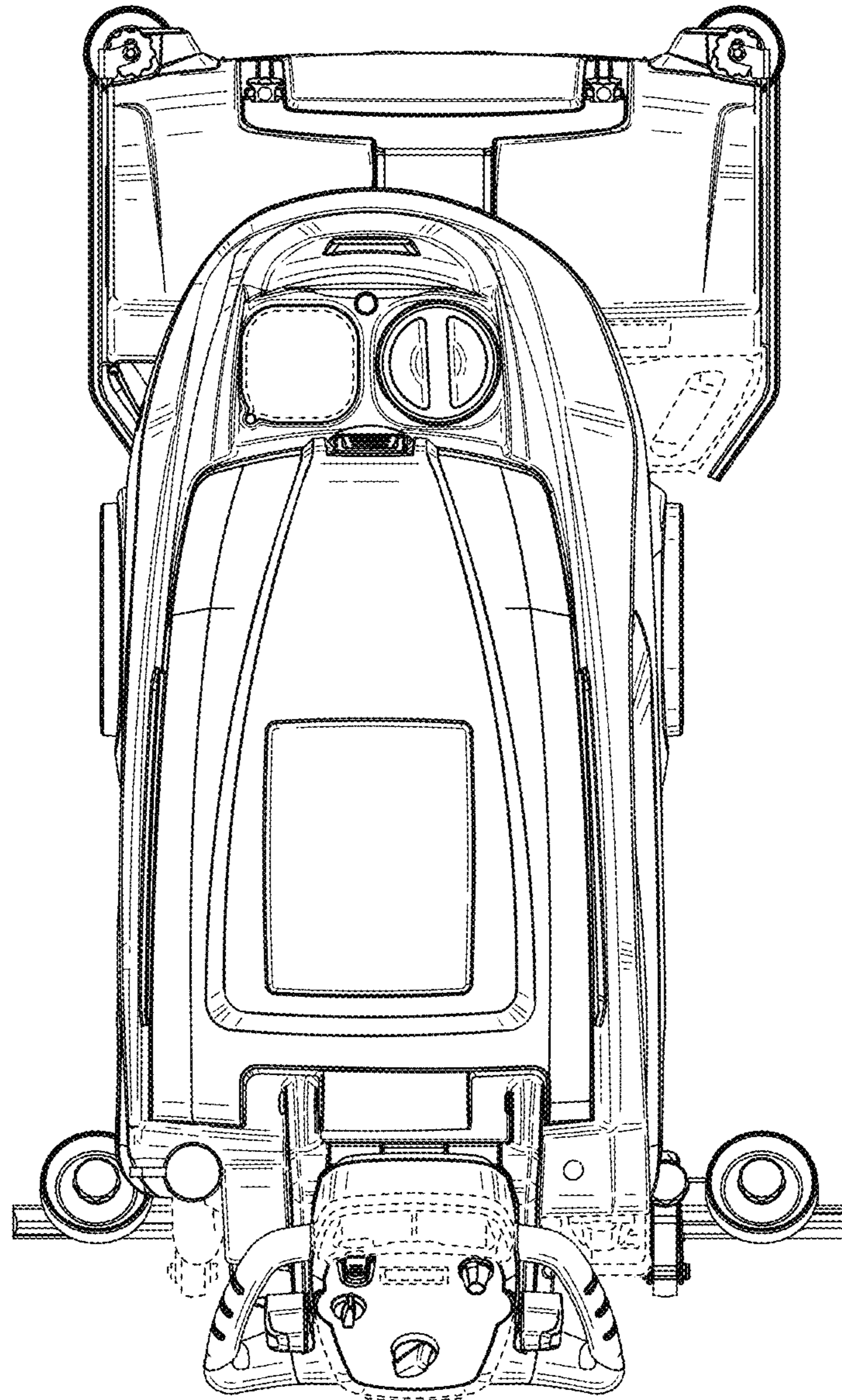


FIG. 6