



US00D693070S

(12) **United States Design Patent**
Eng et al.

(10) **Patent No.:** **US D693,070 S**
(45) **Date of Patent:** **** Nov. 5, 2013**

- (54) **DISHWASHER DOOR**
- (71) Applicant: **BSH Home Appliances Corporation**,
Irvine, CA (US)
- (72) Inventors: **Lindsay Eng**, Long Beach, CA (US);
Thomas Ott, Neubiberg (DE)
- (73) Assignee: **BSH Home Appliances Corporation**,
Irvine, CA (US)
- (**) Term: **14 Years**
- (21) Appl. No.: **29/434,110**
- (22) Filed: **Oct. 10, 2012**

Related U.S. Application Data

- (62) Division of application No. 29/425,993, filed on Jun. 29, 2012, now Pat. No. Des. 673,742, which is a division of application No. 29/418,059, filed on Apr. 12, 2012, now Pat. No. Des. 668,404.
- (51) **LOC (9) Cl.** **15-05**
- (52) **U.S. Cl.**
USPC **D32/3**
- (58) **Field of Classification Search**
USPC D32/1, 2, 3, 25, 28; 312/31, 109, 228;
134/56 D, 57 D, 58 DL, 201; D7/340,
D7/348, 349, 350, 405
See application file for complete search history.

(56) **References Cited**

U.S. PATENT DOCUMENTS

D191,224 S *	8/1961	Fay	D32/2
5,365,959 A *	11/1994	Favaro	134/113
D493,582 S *	7/2004	Ott et al.	D32/3
D493,583 S *	7/2004	Kaczmarek	D32/3
D501,963 S *	2/2005	Kaczmarek	D32/3
D519,689 S *	4/2006	Ott et al.	D32/3

D544,657 S *	6/2007	Jung et al.	D32/2
D627,938 S *	11/2010	Kim	D32/2
D629,979 S *	12/2010	Kaczmarek	D32/3

(Continued)

Primary Examiner — T. Chase Nelson
Assistant Examiner — Kathleen M Sims
(74) *Attorney, Agent, or Firm* — James E. Howard; Andre Pallapies

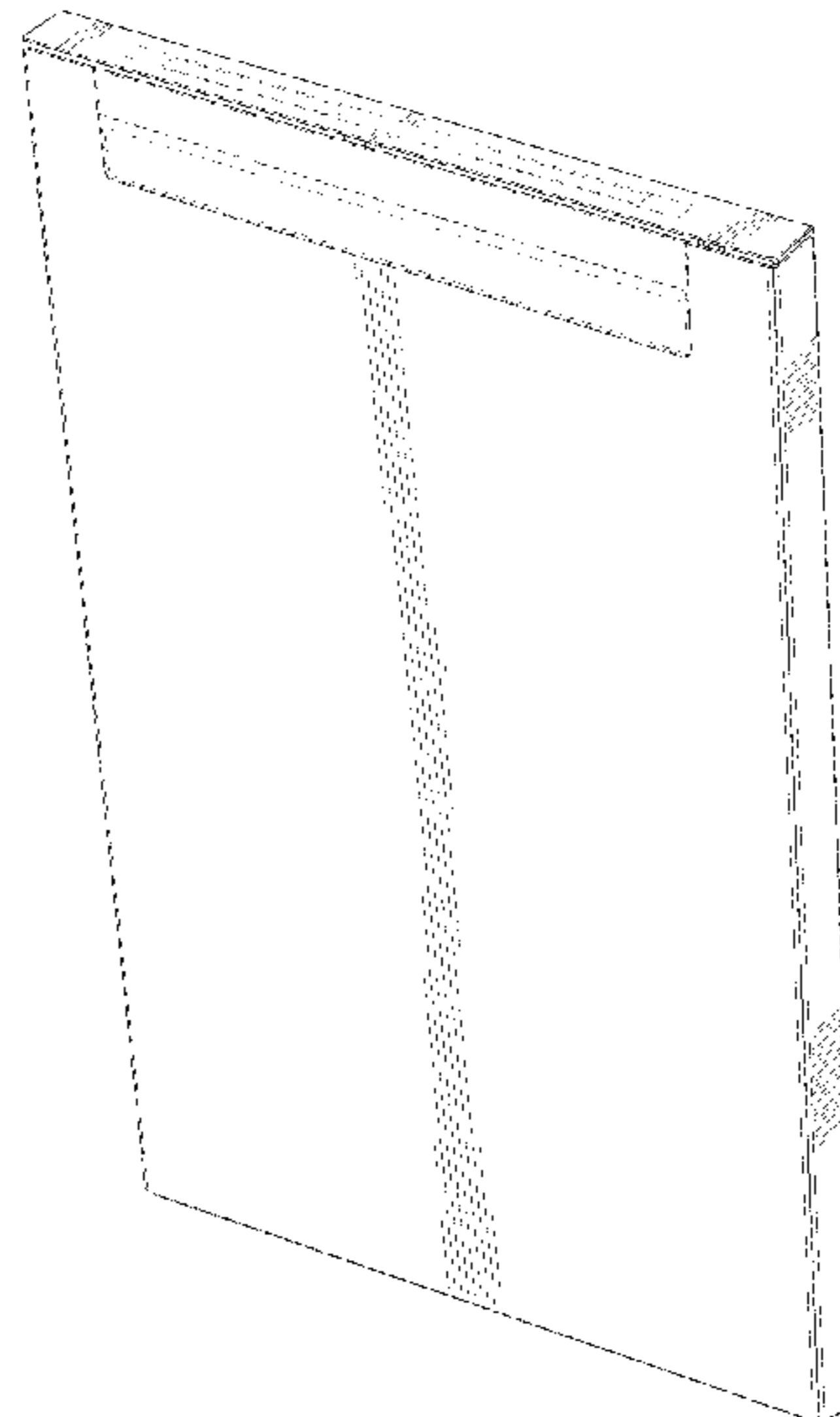
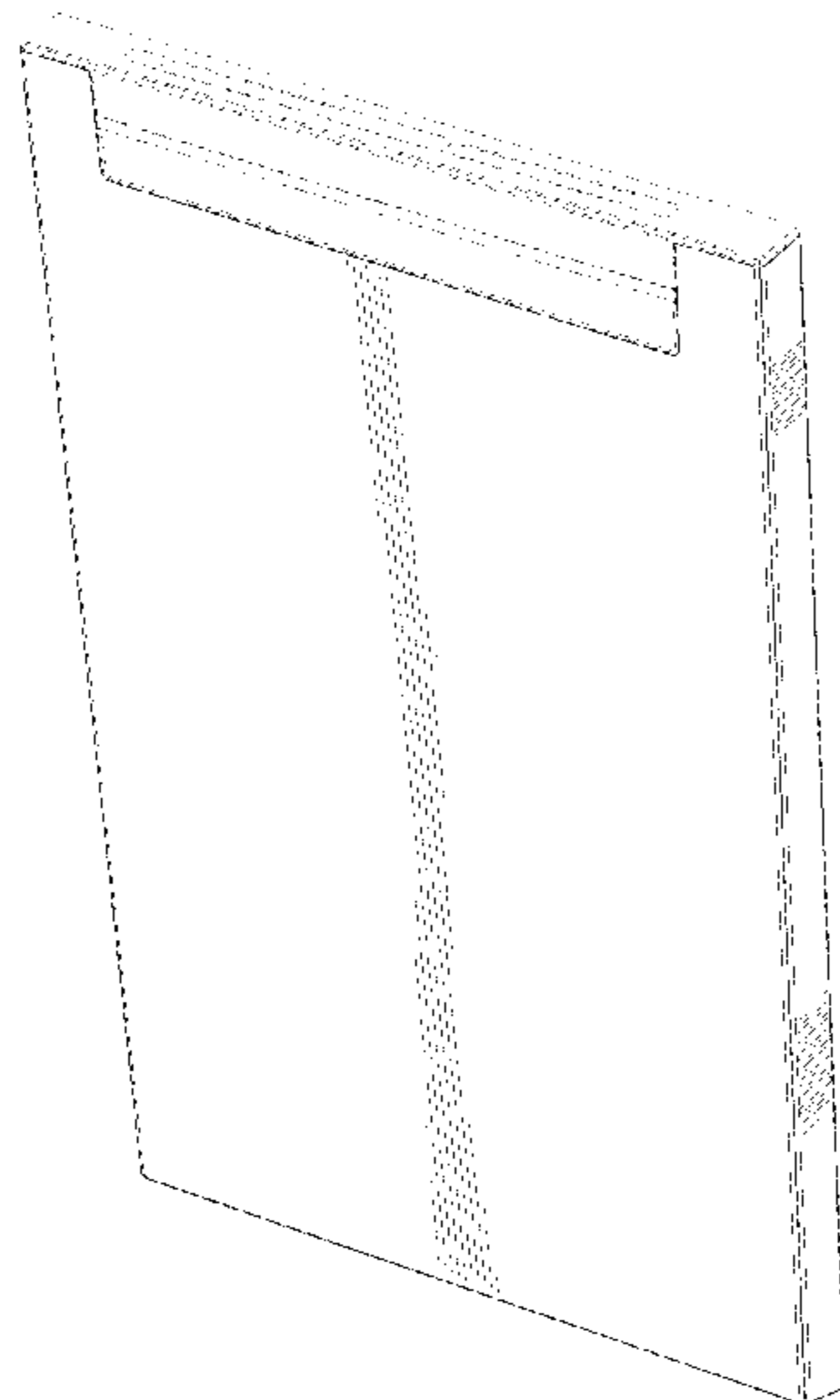
(57) **CLAIM**

The ornamental design for a dishwasher door, as shown and described.

DESCRIPTION

FIG. 1 is a front perspective view, from the top, of a dishwasher door according to a first embodiment showing our new ornamental design;
 FIG. 2 is a front view thereof;
 FIG. 3 is a left side view thereof, with the right hand side view thereof being a mirror image thereof;
 FIG. 4 is a partial front perspective view from the bottom;
 FIG. 5 is a front perspective view of a dishwasher door according to a second embodiment showing our new ornamental design;
 FIG. 6 is a front view thereof; and
 FIG. 7 is a top view thereof.
 FIG. 8 is a left side view thereof, with the right hand side view thereof being a mirror image thereof; and,
 FIG. 9 is a partial front perspective view from the bottom.
 The broken line showing of details of the top and front of the door in FIGS. 1-9 is included for the purpose of showing environmental portions of the dishwasher door and forms no part of the claimed design. The dotted lines in FIGS. 4 and 9 represent the border between claimed and unclaimed subject matter and do not form a part of the claimed design.
 The bottom and rear parts of the dishwasher door, and the bottom, rear and top of the dishwasher compartment are unornamented and form no part of the claimed design.

1 Claim, 8 Drawing Sheets



(56)

References Cited

U.S. PATENT DOCUMENTS

D630,804 S * 1/2011 Ott D32/3
D635,312 S * 3/2011 Kaczmarek D32/3
D665,956 S * 8/2012 Eng et al. D32/2
D665,957 S * 8/2012 Eng et al. D32/2
D667,596 S * 9/2012 Berberet D32/3

D668,402 S * 10/2012 Eng et al. D32/3
D668,403 S * 10/2012 Eng et al. D32/3
D668,404 S * 10/2012 Eng et al. D32/3
D670,457 S * 11/2012 Eng D32/3
D672,101 S * 12/2012 Eng et al. D32/3
D673,742 S * 1/2013 Eng et al. D32/2
D675,792 S * 2/2013 Eng et al. D32/3

* cited by examiner

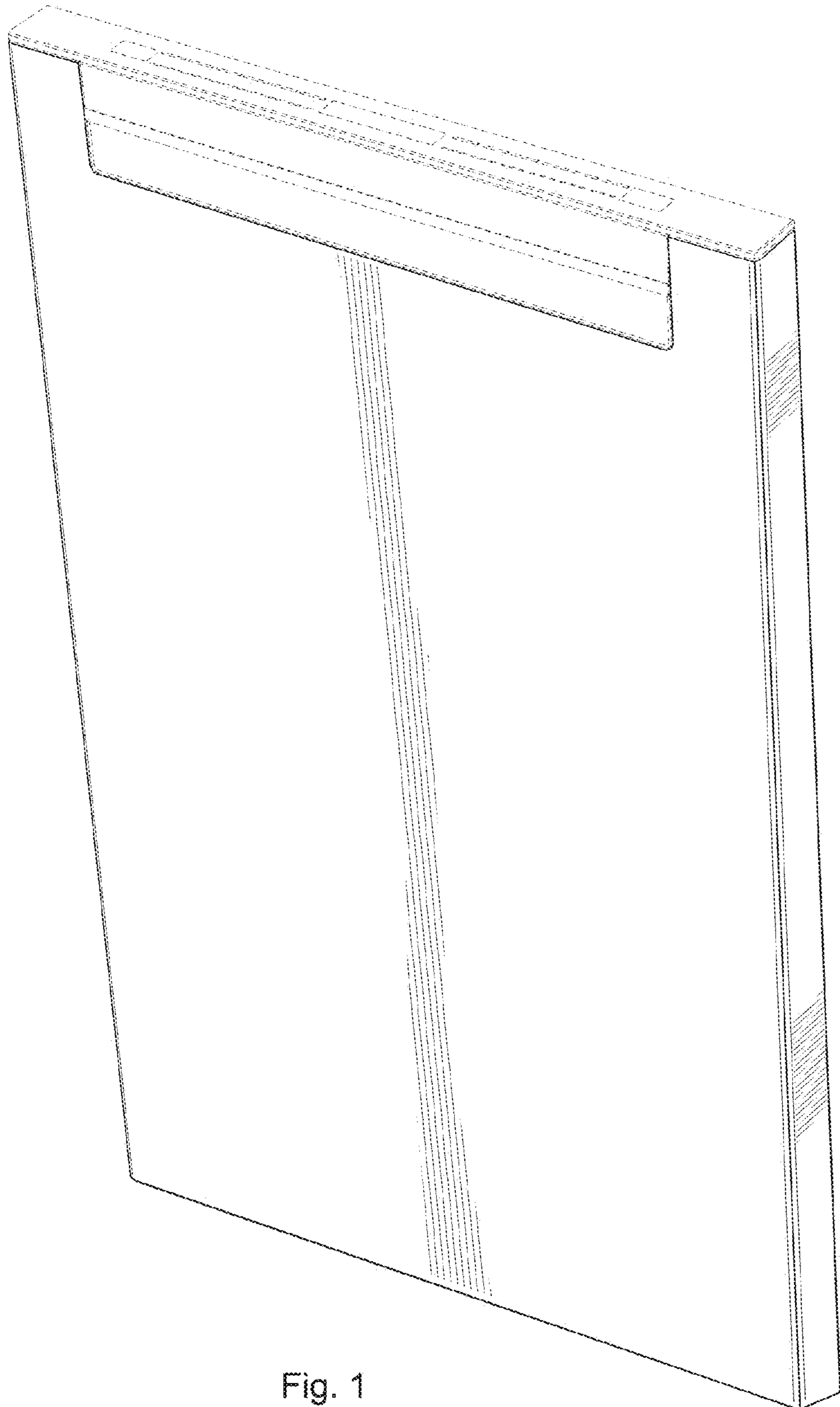


Fig. 1

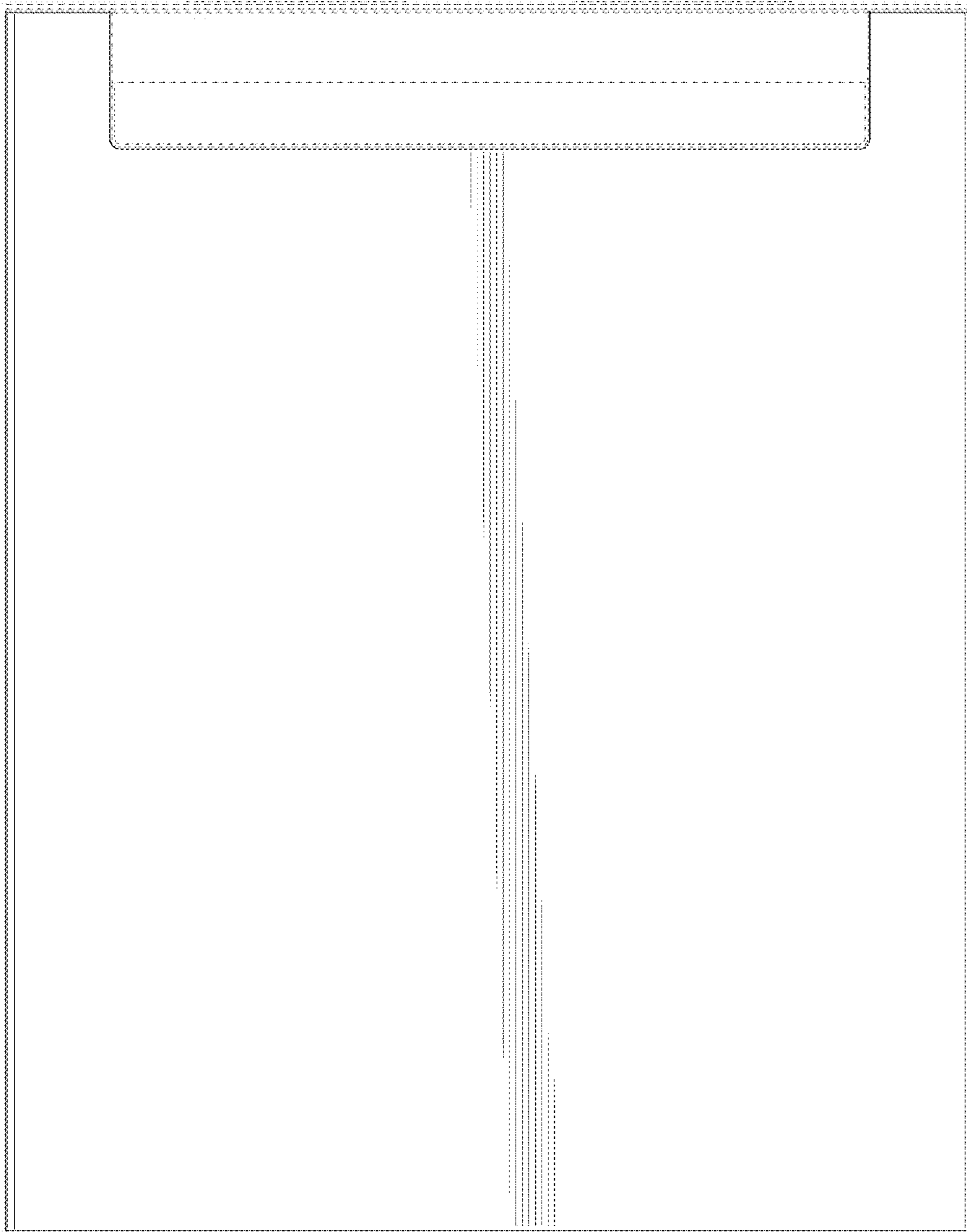


Fig. 2

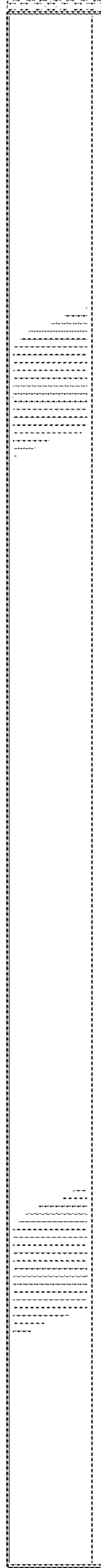


Fig. 3

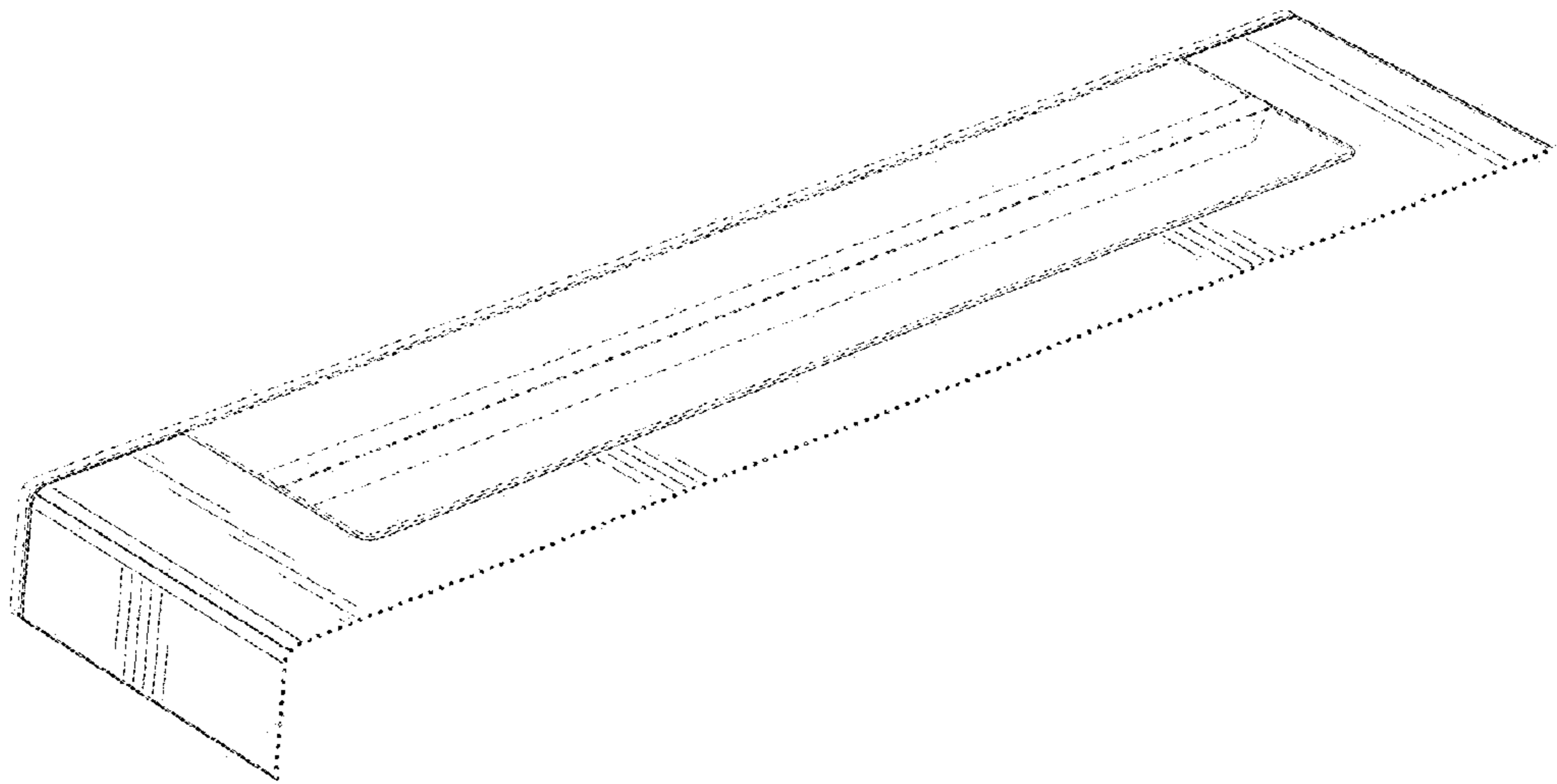


Fig. 4

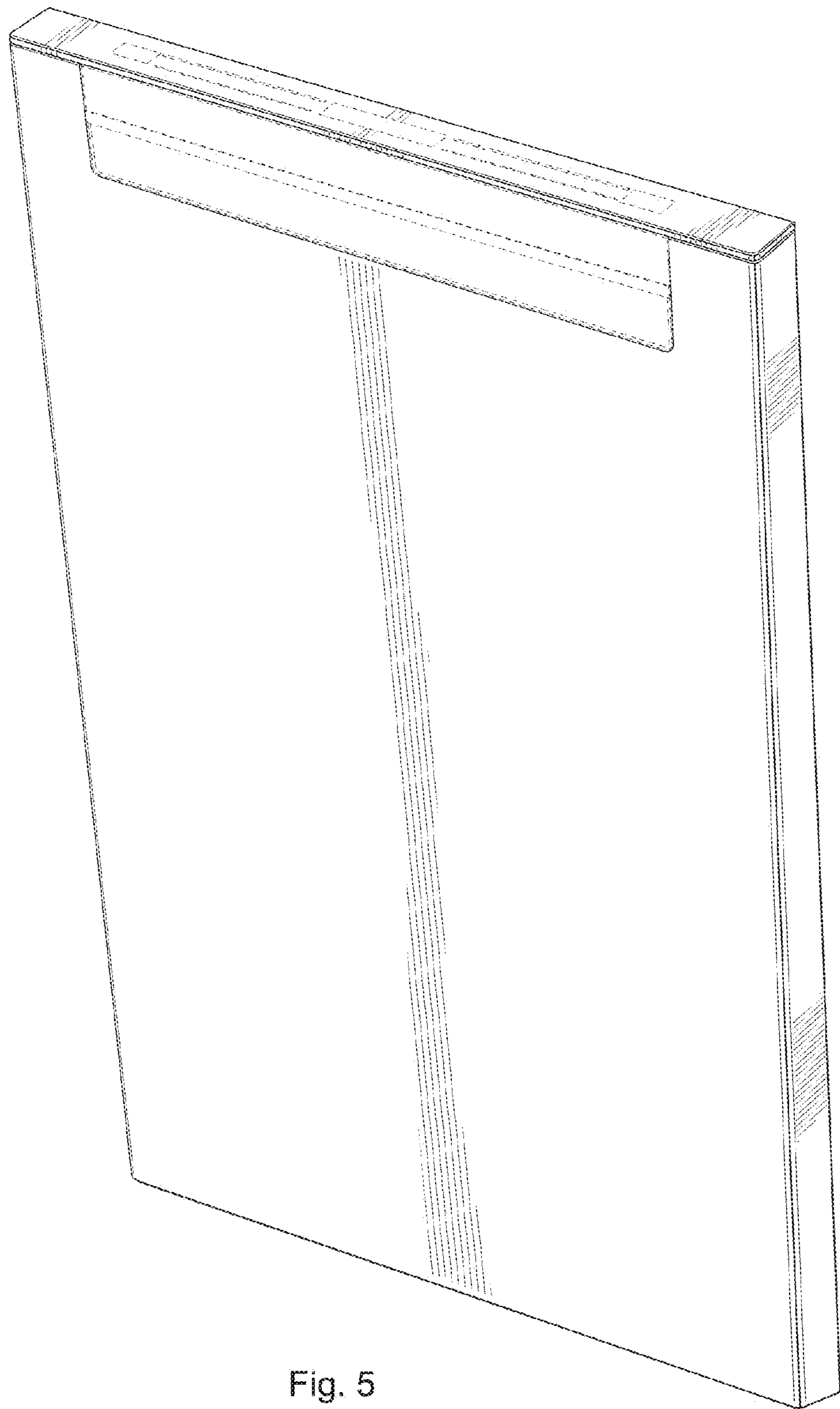


Fig. 5

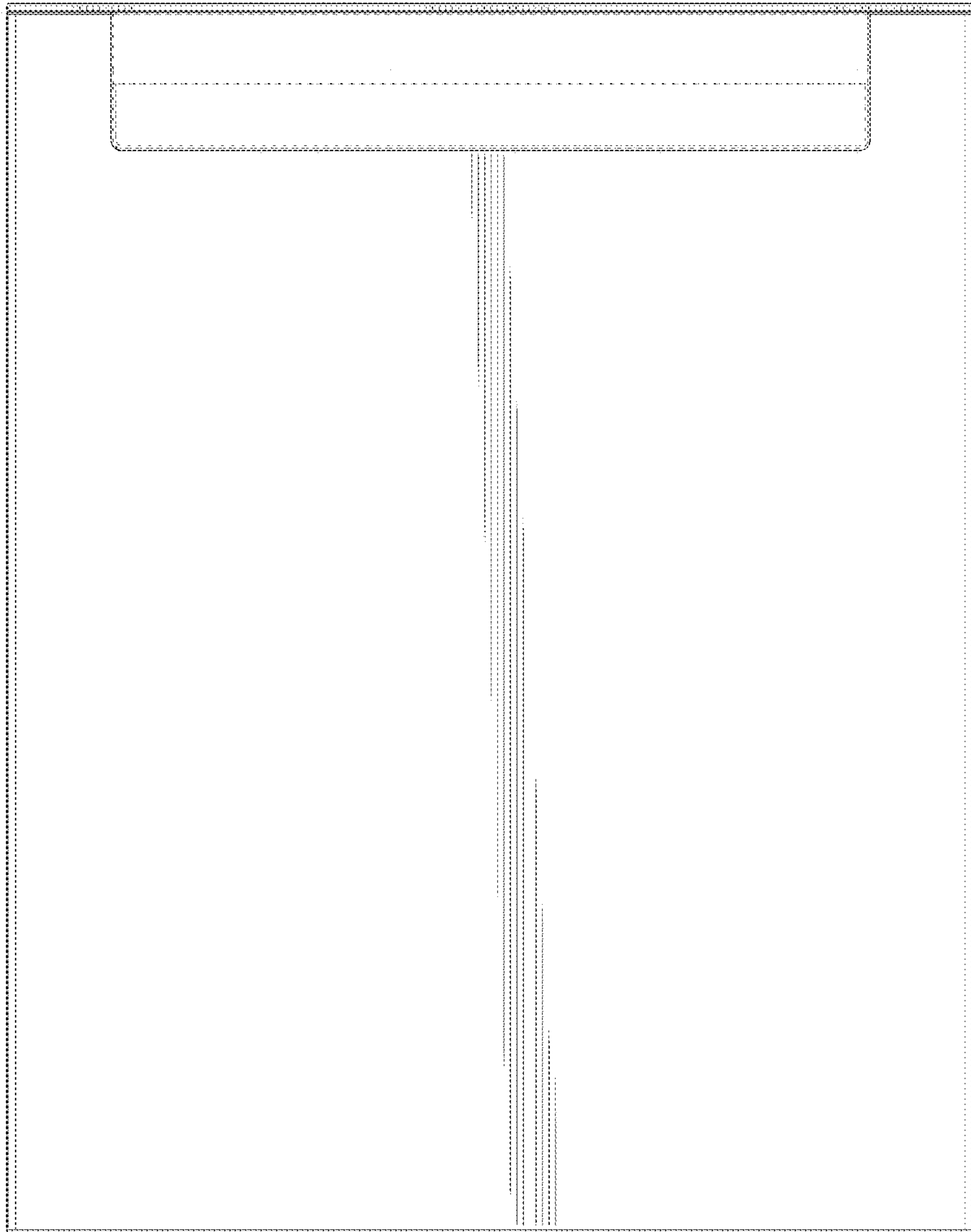


Fig. 6



Fig. 7

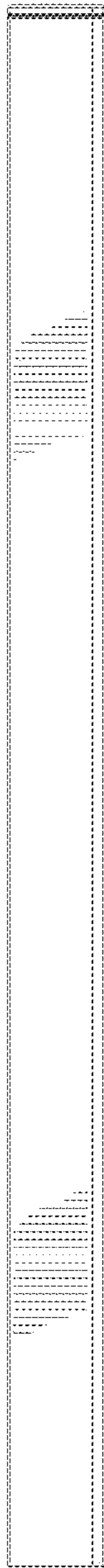


Fig. 8

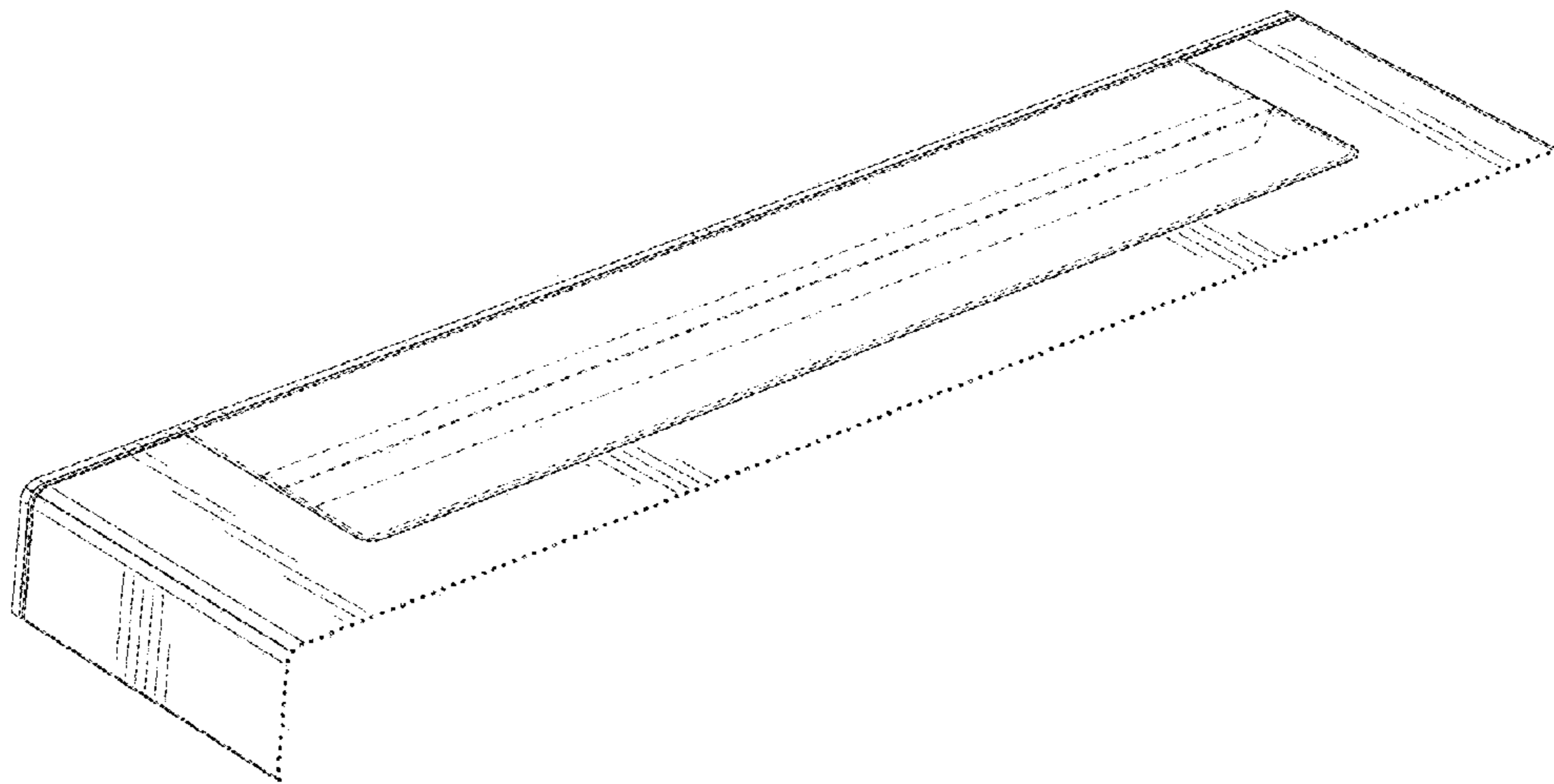


Fig. 9