



US00D693068S

(12) **United States Design Patent**
Tan

(10) **Patent No.:** **US D693,068 S**
(45) **Date of Patent:** **** Nov. 5, 2013**

(54) **PET HAIR DRYER**

(75) Inventor: **Jianliang Tan**, Foshan (CN)

(73) Assignee: **Foshan Shunde Xinshengyuan Electrical Appliances Co., Ltd.** (CN)

(**) Term: **14 Years**

(21) Appl. No.: **29/427,537**

(22) Filed: **Jul. 19, 2012**

(30) **Foreign Application Priority Data**

Feb. 2, 2012 (CN) 2012 3 0020541

(51) **LOC (9) Cl.** **30-99**

(52) **U.S. Cl.**
USPC **D30/158; D30/199**

(58) **Field of Classification Search**
USPC D30/158, 159, 199; 15/104.002, 15/230.11, 104.94, 104.8, 23, 231, 169, 15/184, 114, DIG. 14, 186-188; 132/119-119.1, 212; 206/15.2-15.3, 206/361, 362.3, 470; 242/571.4; D28/25, D28/23, 30, 59, 21; D4/117, 116, 121-123, D4/102, 199, 137, 131; 119/678, 174, 677, 119/517-530, 796, 14.9, 14.09, 14.03, 119/14.04, 606, 712, 416, 482, 500, 51.01, 119/62, 61.54; 43/127; D23/223, 225
See application file for complete search history.

(56) **References Cited**

U.S. PATENT DOCUMENTS

D33,500 S * 11/1900 Clark D23/225
D43,011 S * 9/1912 Owen D32/21
1,255,662 A * 2/1918 Sullivan 15/327.5
1,316,442 A * 9/1919 Goughnour 15/327.6
1,605,806 A * 11/1926 Briggs et al. 15/347
1,903,855 A * 4/1933 Townsend 417/363
1,970,665 A * 8/1934 Martinet 15/344

2,030,367 A * 2/1936 Grave 417/234
2,130,325 A * 9/1938 Pardee 15/368
D112,884 S * 1/1939 Manning D23/225
D112,885 S * 1/1939 Manning D23/225
D114,067 S * 4/1939 Hettinger D23/225
2,232,906 A * 2/1941 Ernof 415/148
2,239,762 A * 4/1941 Taylor 15/378
D132,815 S * 6/1942 Stevens D32/21
2,291,353 A * 7/1942 Seyfried 15/323
D133,708 S * 9/1942 Constantine D23/225
2,309,583 A * 1/1943 Frantz 15/344
2,319,194 A * 5/1943 Youhouse 310/50
D138,064 S * 6/1944 Clark D23/225
2,353,247 A * 7/1944 Kuettel 392/376
D141,806 S * 7/1945 Wittke D23/225
D142,453 S * 9/1945 Walker D32/24
2,395,430 A * 2/1946 Sloan 15/389
2,420,251 A * 5/1947 La Foriyes 34/100
D147,920 S * 11/1947 McDuffee D23/225
D150,177 S * 7/1948 Vose D32/17

(Continued)

Primary Examiner — Susan Moon Lee

(74) *Attorney, Agent, or Firm* — Lerner, David, Littenberg, Krumholz & Mentlik, LLP

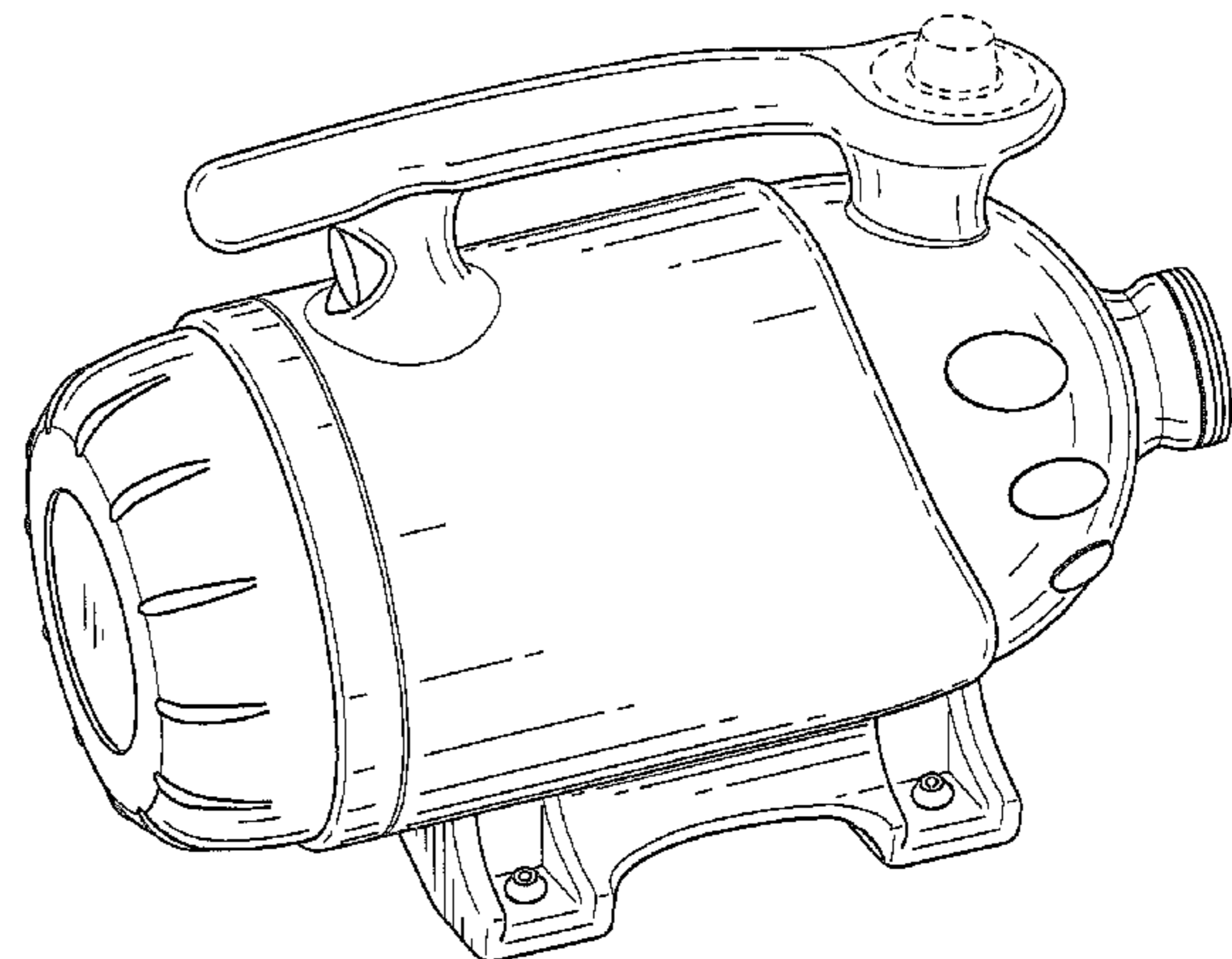
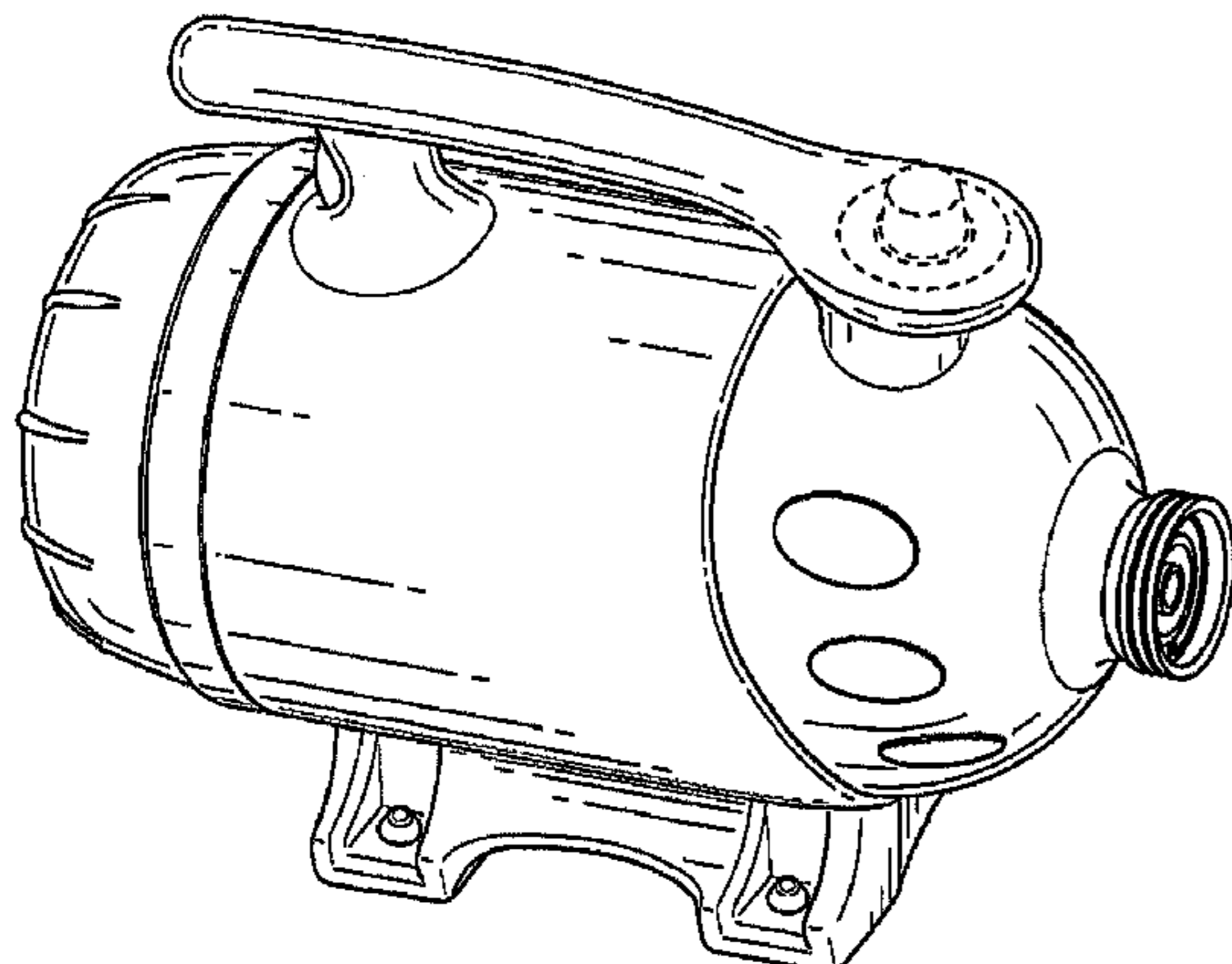
(57) **CLAIM**

The ornamental design for a pet hair dryer, as shown and described.

DESCRIPTION

FIG. 1 is a right perspective view of a pet hair dryer showing an embodiment of my design;
FIG. 2 is a left perspective view thereof;
FIG. 3 is a right side view thereof;
FIG. 4 is a left side view thereof;
FIG. 5 is a front elevation view thereof;
FIG. 6 is a rear elevation view thereof;
FIG. 7 is a top plan view thereof; and,
FIG. 8 is a bottom plan view.
Broken lines and unshaded portions contained within broken lines are not claimed.

1 Claim, 5 Drawing Sheets



(56)

References Cited

U.S. PATENT DOCUMENTS

D151,293	S *	10/1948	Stagner	D23/225
D152,841	S *	2/1949	Thompson et al.	D23/336
D155,475	S *	10/1949	Berndt	D28/13
D155,504	S *	10/1949	Gustafsson et al.	D23/225
2,496,232	A *	1/1950	Potter	34/100
D158,468	S *	5/1950	Knapp	D23/225
D159,615	S *	8/1950	Hession, Jr.	D23/225
D161,710	S *	1/1951	Rich	D23/225
D162,296	S *	3/1951	Graham	D23/225
D163,147	S *	5/1951	Smith	D23/225
2,552,470	A *	5/1951	Wahlberg	392/368
D164,613	S *	9/1951	Wahlberg et al.	D23/336
2,589,595	A *	3/1952	Aske	422/113
2,597,215	A *	5/1952	Wright et al.	392/488
2,621,757	A *	12/1952	Anderson	55/376
D170,039	S *	7/1953	Ziherl	D23/225
2,683,888	A *	7/1954	Ripple	15/323
2,693,001	A *	11/1954	Vance	15/323
2,713,627	A *	7/1955	Kamataris	392/383
2,767,904	A *	10/1956	Doyle	417/423.2
2,839,775	A *	6/1958	Hansen	15/323
D183,192	S *	7/1958	Ernolf et al.	D32/24
D184,305	S *	1/1959	Czaczkshes	D23/225
2,898,691	A *	8/1959	Moseman et al.	34/231
D186,731	S *	11/1959	Zapolski	D23/225
D191,404	S *	9/1961	Hudson	D23/225
D191,476	S *	10/1961	Palma, Jr.	D23/225
D192,345	S *	3/1962	Nerheim	D32/18
D195,977	S *	8/1963	Halaby	D23/225
D201,165	S *	5/1965	Briggs	D23/338
3,217,350	A *	11/1965	Gilliom et al.	15/323
3,257,784	A *	6/1966	Grellsson	55/472
3,261,107	A *	7/1966	Ponczek et al.	34/99
3,279,157	A *	10/1966	Andersson-Sason et al.	..	55/357
3,302,047	A *	1/1967	Short	310/60 R
3,312,386	A *	4/1967	Hull et al.	415/218.1
3,328,942	A *	7/1967	Waters	55/358
D208,627	S *	9/1967	Bonzer	D32/18
3,344,588	A *	10/1967	Szabo	96/385
D209,274	S *	11/1967	Richards et al.	D32/18
D211,751	S *	7/1968	Richards et al.	D32/18
D212,829	S *	11/1968	Kraines	D32/18
3,418,452	A *	12/1968	Grabner	392/383
D214,339	S *	6/1969	Fossella	D32/18
3,466,696	A *	9/1969	Grellsson	15/327.7
3,477,087	A *	11/1969	Robinson	15/344
3,513,500	A *	5/1970	Hori	15/344
D219,790	S *	1/1971	Rhodes	D32/17
D220,969	S *	6/1971	Valbona et al.	D32/18
3,608,333	A *	9/1971	Selley et al.	464/177
3,650,501	A *	3/1972	Streb	248/146
D223,856	S *	6/1972	Grube	D32/17
D224,531	S *	8/1972	Kirkbride	D23/225
D228,440	S *	9/1973	Mestrovic et al.	D8/30
D229,016	S *	11/1973	Plasko	D32/17
D231,510	S *	4/1974	Ramsey	D32/24
D233,209	S *	10/1974	Terrailon	D32/17
D234,677	S *	4/1975	Hubner	D28/12
D235,016	S *	4/1975	Avant	D23/225
D243,455	S *	2/1977	Verini	D23/205
4,011,624	A *	3/1977	Proett	15/344
D246,752	S *	12/1977	Fukuda et al.	D32/18
D247,341	S *	2/1978	Pelly	D32/18
D253,452	S *	11/1979	Tack	D32/18
4,175,352	A *	11/1979	Catlett	43/139
4,213,224	A *	7/1980	Miller	15/344
D257,904	S *	1/1981	Hamm, Jr.	D30/158
D257,941	S *	1/1981	Tack	D32/18
D259,618	S *	6/1981	Tack	D32/18
D264,374	S *	5/1982	Briggs et al.	D23/338
4,373,228	A *	2/1983	Dyson	15/350
4,375,860	A *	3/1983	Greaves, Jr.	220/565
4,421,964	A *	12/1983	Buchtel	200/332.2
D275,504	S *	9/1984	Miura	D21/526
4,481,692	A *	11/1984	Kurz	15/339
D276,944	S *	12/1984	Parker et al.	D32/24
4,545,794	A *	10/1985	Himukai	55/362
4,573,234	A *	3/1986	Kochte et al.	15/323
4,573,237	A *	3/1986	Kochte et al.	15/344
4,592,764	A *	6/1986	Ikezaki et al.	96/382
D287,892	S *	1/1987	Rosa et al.	D32/17
4,642,841	A *	2/1987	Berfield et al.	15/330
D288,972	S *	3/1987	Morioka et al.	D32/24
4,656,687	A *	4/1987	Wei	15/324
4,658,465	A *	4/1987	Keane et al.	15/323
4,670,701	A *	6/1987	Sako et al.	320/115
D290,893	S *	7/1987	Essex	D32/18
D292,133	S *	9/1987	Proctor et al.	D23/225
4,718,375	A *	1/1988	Krieger	119/678
D294,412	S *	2/1988	Sadashima et al.	D32/18
D295,566	S *	5/1988	Hetherington et al.	D32/18
D297,870	S *	9/1988	Kiyooka et al.	D32/15
4,776,058	A *	10/1988	Garner et al.	15/320
D298,875	S *	12/1988	Nakamura	D32/18
D299,074	S *	12/1988	Tuggle et al.	D32/15
4,791,699	A *	12/1988	Sovis et al.	15/344
4,798,613	A *	1/1989	Hetherington et al.	95/267
4,800,614	A *	1/1989	Kopco et al.	15/330
4,801,376	A *	1/1989	Kulitz	210/123
D301,645	S *	6/1989	Nishikawa	D32/18
D302,757	S *	8/1989	Uemura	D32/18
D303,170	S *	8/1989	Hirano	D32/18
RE33,074	E *	10/1989	Levine	15/344
D304,511	S *	11/1989	Yuen	D32/18
D304,871	S *	11/1989	Yuen	D32/18
4,894,882	A *	1/1990	Toya	15/344
D307,628	S *	5/1990	Ballu	D23/225
D307,657	S *	5/1990	Li	D32/22
D309,202	S *	7/1990	Yuen	D32/18
D311,240	S *	10/1990	Born	D23/225
D312,297	S *	11/1990	Ballu	D23/225
D312,516	S *	11/1990	Yuen	D32/18
D312,902	S *	12/1990	Essex et al.	D32/24
D312,903	S *	12/1990	Essex et al.	D32/24
D314,258	S *	1/1991	Campbell et al.	D32/17
D315,597	S *	3/1991	Botheras et al.	D23/332
D315,623	S *	3/1991	Bartasevich et al.	D32/18
D315,816	S *	3/1991	Ferrari et al.	D32/18
5,020,187	A *	6/1991	Kosten et al.	15/347
5,025,572	A *	6/1991	Cordier	34/202
D318,544	S *	7/1991	Schoettler	D32/24
D319,694	S *	9/1991	Wortham	D23/336
D320,099	S *	9/1991	Case et al.	D32/18
5,050,266	A *	9/1991	Schneider	15/421
D324,722	S *	3/1992	Nordeen	D23/225
D325,271	S *	4/1992	Osit	D32/18
D327,342	S *	6/1992	Leung	D32/18
D327,528	S *	6/1992	Sears et al.	D23/225
5,129,128	A *	7/1992	Bowerman et al.	15/413
D328,779	S *	8/1992	Albers et al.	D23/225
5,134,751	A *	8/1992	Reed et al.	15/344
D330,756	S *	11/1992	Davies et al.	D23/338
5,218,736	A *	6/1993	Bartasevich et al.	15/344
D340,765	S *	10/1993	Joss et al.	D23/336
D341,417	S *	11/1993	Wortham	D23/336
D342,075	S *	12/1993	Whitley, II	D15/4
D343,473	S *	1/1994	de Vasselot	D28/12
D347,683	S *	6/1994	Chiu et al.	D23/336
D347,715	S *	6/1994	Berfield	D32/15
5,329,666	A *	7/1994	Bowerman et al.	15/323
5,331,716	A *	7/1994	Hemmann et al.	15/332
5,337,443	A *	8/1994	Steinberg et al.	15/344
5,343,590	A *	9/1994	Radabaugh	15/319
D352,579	S *	11/1994	Baker et al.	D32/15
D352,875	S *	11/1994	Story et al.	D8/14
D354,592	S *	1/1995	Powers	D32/17
D355,283	S *	2/1995	Thomas et al.	D32/24
D358,912	S *	5/1995	Baker et al.	D32/15
5,421,058	A *	6/1995	Zahuranec et al.	15/413
D368,558	S *	4/1996	Wolfe et al.	D32/18
5,504,970	A *	4/1996	Neshat et al.	15/334
5,507,068	A *	4/1996	Fan et al.	15/320
D370,319	S *	5/1996	Bass et al.	D32/18
D371,649	S *	7/1996	Neshat et al.	D32/18

(56)

References Cited

U.S. PATENT DOCUMENTS

D371,651	S *	7/1996	Bass et al.	D32/18	6,779,227	B2 *	8/2004	Lee	15/324
5,555,643	A *	9/1996	Guasch	34/443	D495,831	S *	9/2004	Hsu	D28/50
5,586,358	A *	12/1996	Wolfe et al.	15/334	D496,764	S *	9/2004	Lopano	D32/21
5,599,401	A *	2/1997	Brosky et al.	134/21	6,807,709	B2 *	10/2004	Fernandez-Grandizo	
D379,691	S *	6/1997	Moine et al.	D32/18				Martinez	15/413
D386,842	S *	11/1997	Hoshino et al.	D32/21	D500,180	S *	12/2004	Meyer	D32/17
D388,561	S *	12/1997	Tuggle et al.	D32/15	D504,198	S *	4/2005	Hopper et al.	D32/17
D388,562	S *	12/1997	Doria	D32/17	D504,985	S *	5/2005	Buzzi	D32/17
5,709,793	A *	1/1998	Kisner	210/167.11	D506,042	S *	6/2005	Griffin et al.	D32/21
D391,626	S *	3/1998	Spriegel	D23/225	D506,297	S *	6/2005	Buzzi	D32/17
D397,420	S *	8/1998	Campbell	D23/225	D507,085	S *	7/2005	Griffin	D32/18
5,787,546	A *	8/1998	Bass et al.	15/344	D507,385	S *	7/2005	Ma	D32/18
5,813,088	A *	9/1998	Wagner et al.	15/327.5	D507,686	S *	7/2005	Krieger et al.	D32/23
D399,616	S *	10/1998	Bobrosky et al.	D32/21	D507,853	S *	7/2005	Main et al.	D32/18
D400,322	S *	10/1998	Webster et al.	D32/15	6,922,868	B1 *	8/2005	Jeong	15/353
5,819,364	A *	10/1998	Sham	15/320	6,968,593	B1 *	11/2005	Lenkiewicz et al.	15/320
5,850,668	A *	12/1998	Berfield et al.	15/353	D512,803	S *	12/2005	Kendrick	D32/18
D411,359	S *	6/1999	Green	D32/31	D514,758	S *	2/2006	Lau	D32/18
5,926,972	A *	7/1999	Di Peso	34/128	D515,752	S *	2/2006	Rosenzweig	D32/18
D416,113	S *	11/1999	Puri	D32/21	D518,253	S *	3/2006	Erlich et al.	D32/18
5,974,623	A *	11/1999	Cummins et al.	15/347	D522,190	S *	5/2006	Drew	D32/15
5,983,444	A *	11/1999	Jacobs et al.	15/329	D522,191	S *	5/2006	Erlich	D32/18
D418,262	S *	12/1999	Yuen	D32/18	D526,752	S *	8/2006	Rosenzweig	D32/18
D418,643	S *	1/2000	Hoshino	D32/21	D527,501	S *	8/2006	Tai	D32/18
6,011,331	A *	1/2000	Gierer et al.	310/58	RE39,304	E *	9/2006	Kasen et al.	15/320
6,033,560	A *	3/2000	Kisner	210/167.11	D528,253	S *	9/2006	Wu et al.	D32/18
D422,763	S *	4/2000	Tsuda	D32/21	D528,715	S *	9/2006	Carr	D32/18
D424,764	S *	5/2000	Collins et al.	D32/21	D529,129	S *	9/2006	Leer et al.	D23/225
D426,037	S *	5/2000	Roberts et al.	D32/18	D529,576	S *	10/2006	McGiveron	D23/225
D426,354	S *	6/2000	Ohi et al.	D32/15	D529,577	S *	10/2006	McGiveron	D23/225
D427,388	S *	6/2000	Sullivan	D30/158	D529,671	S *	10/2006	Yung	D32/18
D430,365	S *	8/2000	Roberts et al.	D32/18	D530,464	S *	10/2006	Tai	D32/18
6,101,669	A *	8/2000	Martin et al.	15/327.2	D530,465	S *	10/2006	Busschaert et al.	D32/18
6,108,864	A *	8/2000	Thomas et al.	15/350	7,159,271	B2 *	1/2007	Sepke et al.	15/320
D432,746	S *	10/2000	Frey	D32/24	D537,216	S *	2/2007	Davis et al.	D32/18
6,125,498	A *	10/2000	Roberts et al.	15/320	D537,992	S *	3/2007	Hoshino	D32/24
6,145,160	A *	11/2000	Buss et al.	15/323	D539,491	S *	3/2007	Kim	D32/21
6,189,178	B1 *	2/2001	Roberts	15/323	D540,455	S *	4/2007	Ferraro, Sr.	D23/383
D440,353	S *	4/2001	Johnson	D28/12	D541,495	S *	4/2007	DiPasquale et al.	D32/18
D441,508	S *	5/2001	Doria	D32/17	D542,373	S *	5/2007	Cooper	D23/225
D443,119	S *	5/2001	Sung	D32/21	7,225,503	B1 *	6/2007	Lenkiewicz et al.	15/320
D443,960	S *	6/2001	Shimko et al.	D32/18	D547,014	S *	7/2007	Chen	D32/15
6,248,232	B1 *	6/2001	Stoner	210/136	D550,327	S *	9/2007	Bruno et al.	D23/225
D445,972	S *	7/2001	Doria	D32/17	D550,329	S *	9/2007	Bruno et al.	D23/225
6,295,691	B1 *	10/2001	Chen	15/321	D552,309	S *	10/2007	Houghton	D32/18
6,305,325	B1 *	10/2001	Sullivan	119/600	D555,848	S *	11/2007	DiPasquale et al.	D32/18
D453,244	S *	1/2002	Murphy et al.	D32/31	D563,503	S *	3/2008	Monk	D23/225
6,347,428	B1 *	2/2002	Shimko et al.	15/320	D564,154	S *	3/2008	Hollis et al.	D32/21
6,370,730	B1 *	4/2002	Young et al.	15/327.1	RE40,196	E *	4/2008	Sullivan	119/600
D458,718	S *	6/2002	Fernandez	D32/18	D568,007	S *	4/2008	Li	D32/15
6,434,785	B1 *	8/2002	Vandenbelt et al.	15/344	D568,558	S *	5/2008	Li	D32/15
D462,488	S *	9/2002	Santiago et al.	D32/18	D568,559	S *	5/2008	Li	D32/15
D463,633	S *	9/2002	Stratford	D32/18	D568,560	S *	5/2008	Li	D32/15
D467,323	S *	12/2002	Cho	D23/332	D569,055	S *	5/2008	Bochmann et al.	D32/15
D467,693	S *	12/2002	Kitts	D32/21	D569,058	S *	5/2008	Crawley	D32/18
D468,068	S *	12/2002	Mok	D32/18	D569,059	S *	5/2008	Stratford	D32/18
6,497,001	B2 *	12/2002	Di Nunzio et al.	15/323	D569,060	S *	5/2008	Stratford	D32/18
D471,331	S *	3/2003	Pan	D32/18	D569,063	S *	5/2008	Schoettler	D32/24
D471,680	S *	3/2003	Tokumar et al.	D32/15	7,377,007	B2 *	5/2008	Best	15/329
D473,355	S *	4/2003	Fernandez	D32/18	D571,513	S *	6/2008	Griffin et al.	D32/21
6,550,098	B2 *	4/2003	Roberts et al.	15/320	D577,164	S *	9/2008	Williams et al.	D32/21
D474,867	S *	5/2003	Robinson	D32/18	7,418,763	B2 *	9/2008	Shaver et al.	15/330
D475,819	S *	6/2003	Milanesi	D32/17	D578,193	S *	10/2008	Lo	D23/336
D477,443	S *	7/2003	Kondo et al.	D32/21	D579,161	S *	10/2008	Crawley	D32/18
D480,845	S *	10/2003	Ki	D32/18	D579,162	S *	10/2008	Schoettler	D32/24
D480,846	S *	10/2003	Ki	D32/18	7,437,790	B1 *	10/2008	Ajello	15/1.7
D481,842	S *	11/2003	Tai	D32/18	D581,114	S *	11/2008	Crevling et al.	D32/23
D481,843	S *	11/2003	Downey et al.	D32/18	D581,608	S *	11/2008	Dammkoehler et al.	D32/21
6,658,693	B1 *	12/2003	Reed, Jr.	15/321	D581,609	S *	11/2008	Conrad et al.	D32/21
D485,652	S *	1/2004	Erlich	D32/18	D583,925	S *	12/2008	Tinius	D23/383
6,691,369	B1 *	2/2004	Weiss	15/344	D584,462	S *	1/2009	Umeda et al.	D32/21
6,712,868	B2 *	3/2004	Murphy et al.	55/330	D584,463	S *	1/2009	Jansson et al.	D32/21
D489,499	S *	5/2004	Buzzi	D32/17	D585,608	S *	1/2009	Conrad et al.	D32/21
D495,454	S *	8/2004	Lee	D32/18	D588,763	S *	3/2009	Medema et al.	D32/31
6,775,882	B2 *	8/2004	Murphy et al.	15/352	7,507,269	B2 *	3/2009	Murphy et al.	55/337
					D592,366	S *	5/2009	Mangano	D32/17
					D595,017	S *	6/2009	Baxter et al.	D32/18
					D595,910	S *	7/2009	Hollis et al.	D32/21
					D596,359	S *	7/2009	Hollis et al.	D32/21

(56)

References Cited

U.S. PATENT DOCUMENTS

D601,767 S *	10/2009	Duncan et al.	D32/17	D671,695 S *	11/2012	Seo et al.	D32/18
D608,063 S *	1/2010	Okuda et al.	D32/18	8,313,285 B2 *	11/2012	Lord et al.	415/119
D608,511 S *	1/2010	Okuda et al.	D32/18	D672,102 S *	12/2012	Schouten	D32/21
7,703,170 B2 *	4/2010	Orubor	15/320	D672,434 S *	12/2012	Perez	D23/225
D618,870 S *	6/2010	Williams et al.	D32/24	D672,445 S *	12/2012	Smith et al.	D23/317
D619,770 S *	7/2010	Moore, Jr.	D32/24	8,365,350 B2 *	2/2013	Cochran et al.	15/327.2
D620,652 S *	7/2010	Butts et al.	D32/18	D679,877 S *	4/2013	Crevling et al.	D32/18
D625,399 S *	10/2010	Horiguchi	D23/365	8,424,154 B2 *	4/2013	Beskow et al.	15/352
7,837,434 B2 *	11/2010	Rabis et al.	415/119	D682,493 S *	5/2013	Erlich et al.	D32/18
D631,627 S *	1/2011	Crevling et al.	D32/31	2002/0069627 A1 *	6/2002	Park	55/480
7,877,837 B2 *	2/2011	Gammack et al.	15/323	2002/0073504 A1 *	6/2002	Hall et al.	15/320
7,921,813 B2 *	4/2011	Denison et al.	119/606	2002/0092118 A1 *	7/2002	Nunzio et al.	15/329
D637,774 S *	5/2011	Li et al.	D32/15	2003/0131441 A1 *	7/2003	Murphy et al.	15/350
D640,021 S *	6/2011	Houghton	D32/18	2003/0208872 A1 *	11/2003	Tsen	15/321
D640,847 S *	6/2011	Houghton	D32/18	2004/0079690 A1 *	4/2004	Erlich	210/169
D640,848 S *	6/2011	Houghton	D32/18	2004/0112022 A1 *	6/2004	Vuijk	55/429
D646,033 S *	9/2011	Crevling et al.	D32/31	2004/0134022 A1 *	7/2004	Murphy et al.	15/353
D646,446 S *	10/2011	Raven	D32/17	2004/0211025 A1 *	10/2004	Jung et al.	15/353
D647,174 S *	10/2011	Henderson	D23/225	2004/0216263 A1 *	11/2004	Best et al.	15/331
D647,260 S *	10/2011	Hollis et al.	D32/21	2005/0035039 A1 *	2/2005	Erlich	210/169
D651,057 S *	12/2011	Hartsel	D8/30	2005/0125940 A1 *	6/2005	McDowell	15/353
D652,588 S *	1/2012	Lee et al.	D32/21	2005/0132528 A1 *	6/2005	Yau	15/344
D653,008 S *	1/2012	Houghton	D32/18	2005/0198769 A1 *	9/2005	Lee et al.	15/353
D660,526 S *	5/2012	Erlich et al.	D32/18	2006/0059655 A1 *	3/2006	Lau	15/412
D660,527 S *	5/2012	Kawase et al.	D32/18	2006/0090290 A1 *	5/2006	Lau	15/344
D660,528 S *	5/2012	Okuda et al.	D32/18	2006/0156508 A1 *	7/2006	Khalil	15/353
8,231,332 B2 *	7/2012	Vauchel et al.	415/119	2008/0006221 A1 *	1/2008	Denison et al.	119/600
8,240,982 B2 *	8/2012	Vauchel	415/119	2008/0006222 A1 *	1/2008	Denison et al.	119/600
D668,388 S *	10/2012	Hsu	D28/54.1	2008/0209668 A1 *	9/2008	Luebbering et al.	15/347
D668,822 S *	10/2012	Tinius	D32/15	2008/0244858 A1 *	10/2008	Shaver et al.	15/327.5
D670,044 S *	10/2012	Andreesen	D32/17	2010/0031707 A1 *	2/2010	Krebs et al.	68/222
D670,458 S *	11/2012	Seo et al.	D32/18	2011/0289719 A1 *	12/2011	Han et al.	15/344
				2012/0030896 A1 *	2/2012	Crouch et al.	15/339
				2012/0030897 A1 *	2/2012	Crouch	15/344
				2012/0030898 A1 *	2/2012	Crouch et al.	15/344

* cited by examiner

FIG. 1

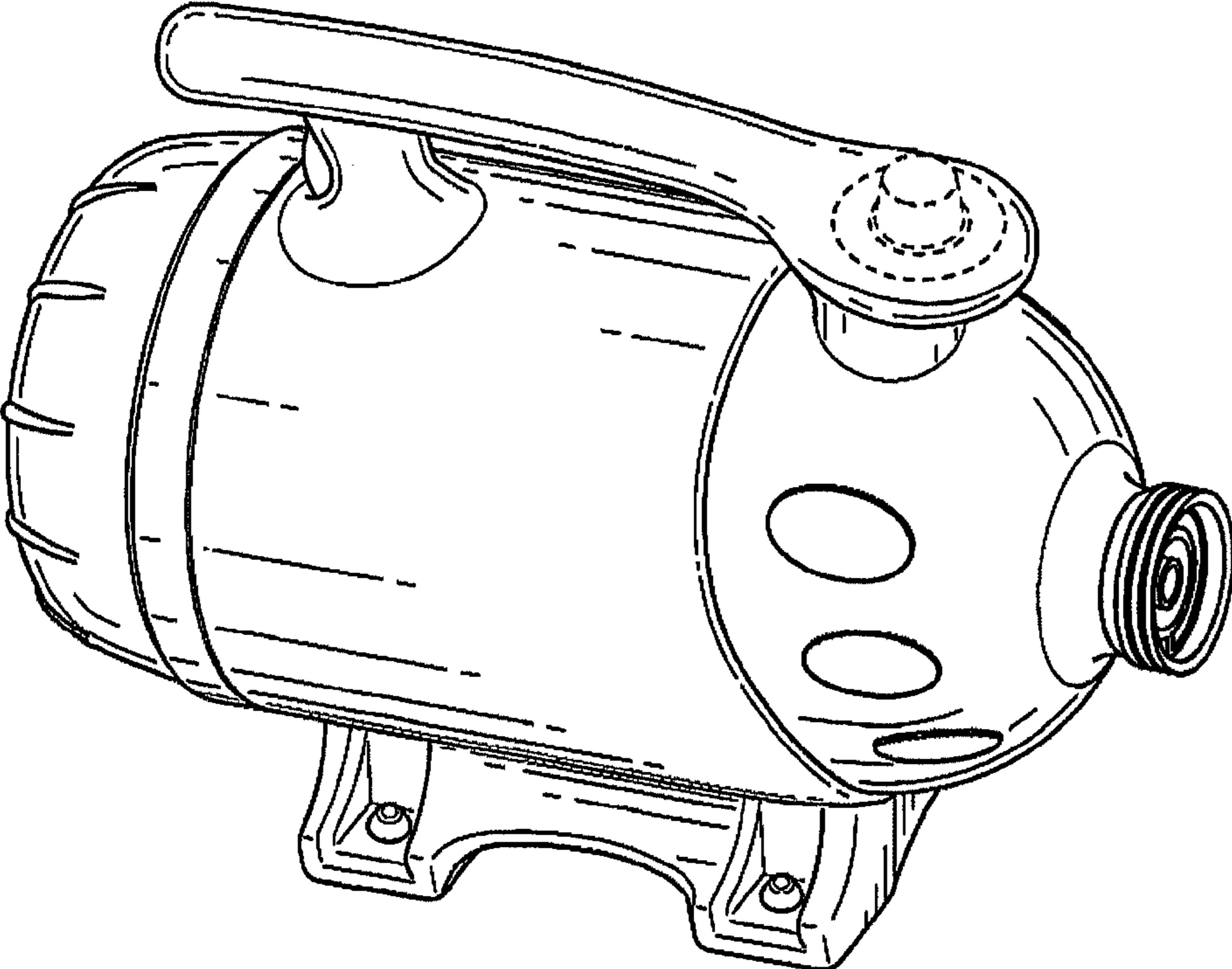


FIG. 2

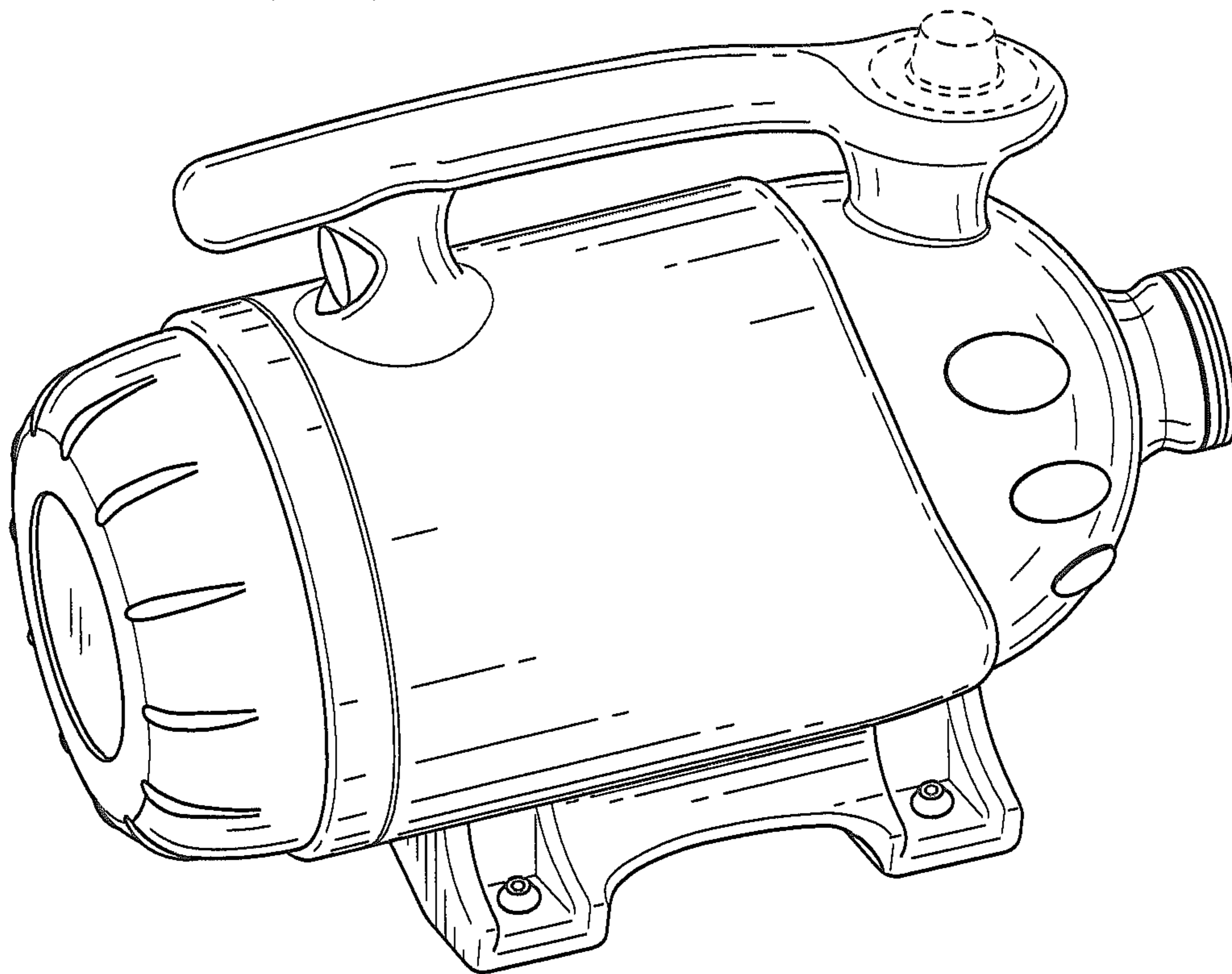


FIG. 3

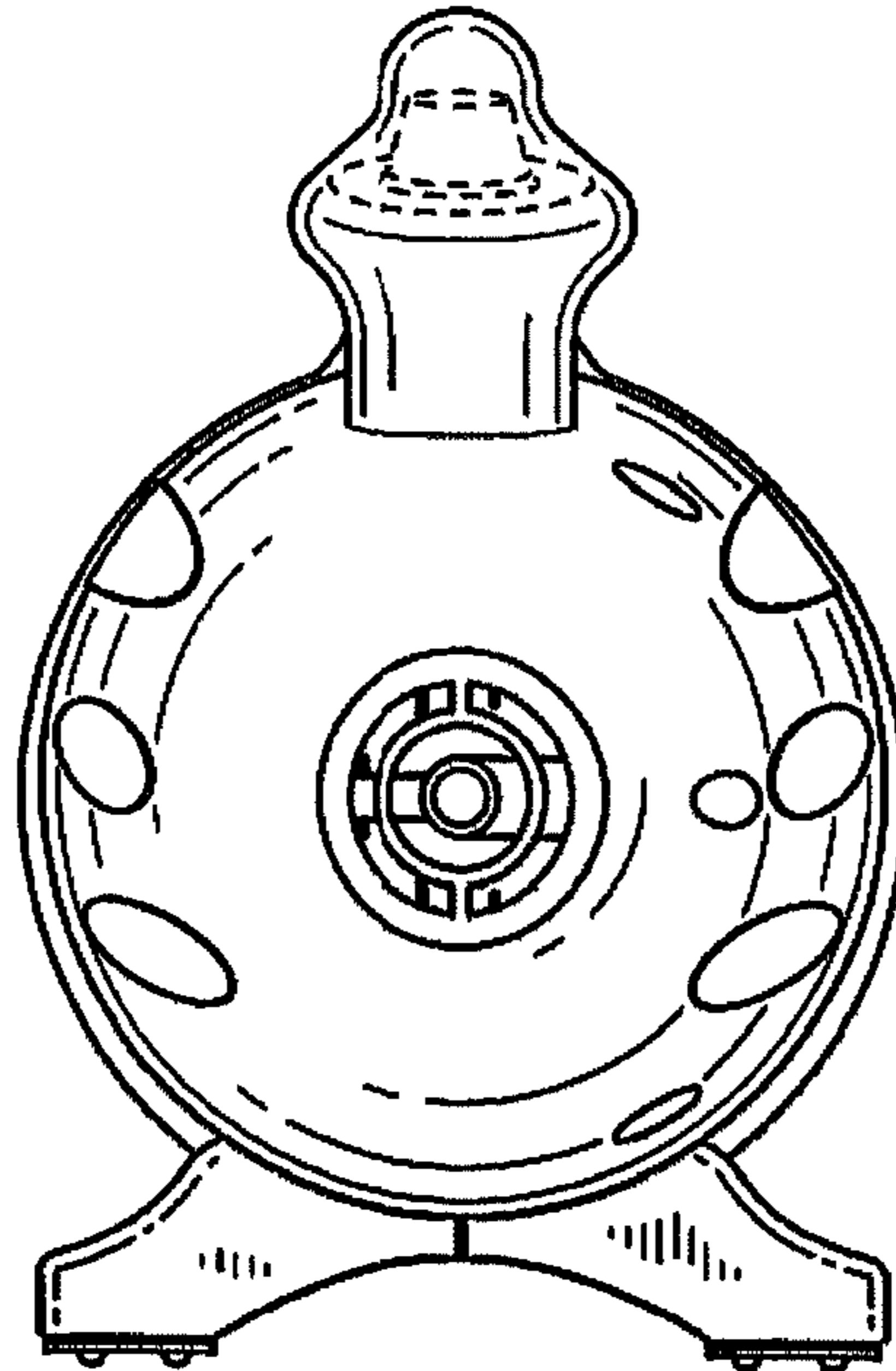


FIG. 4

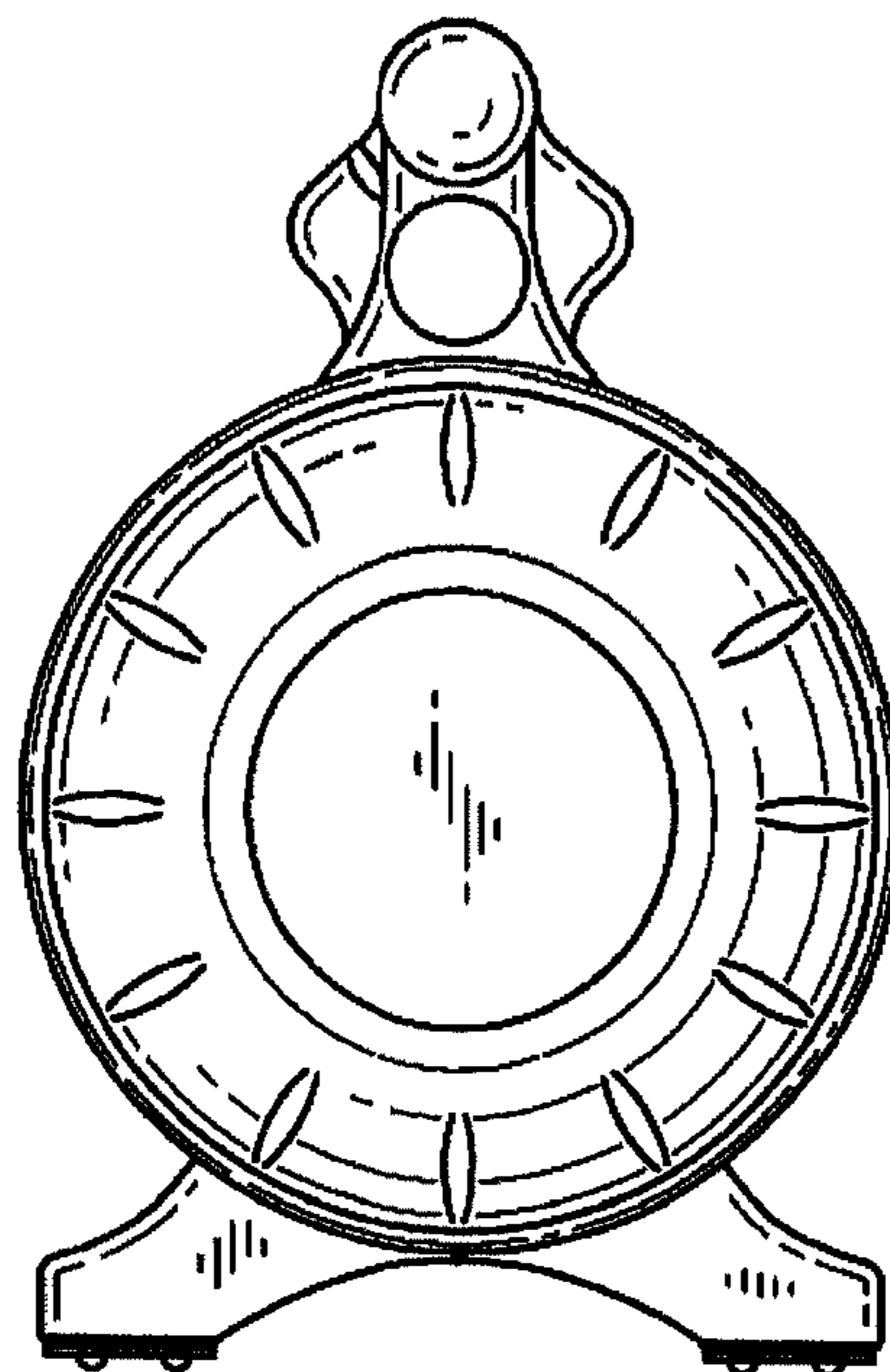


FIG. 5

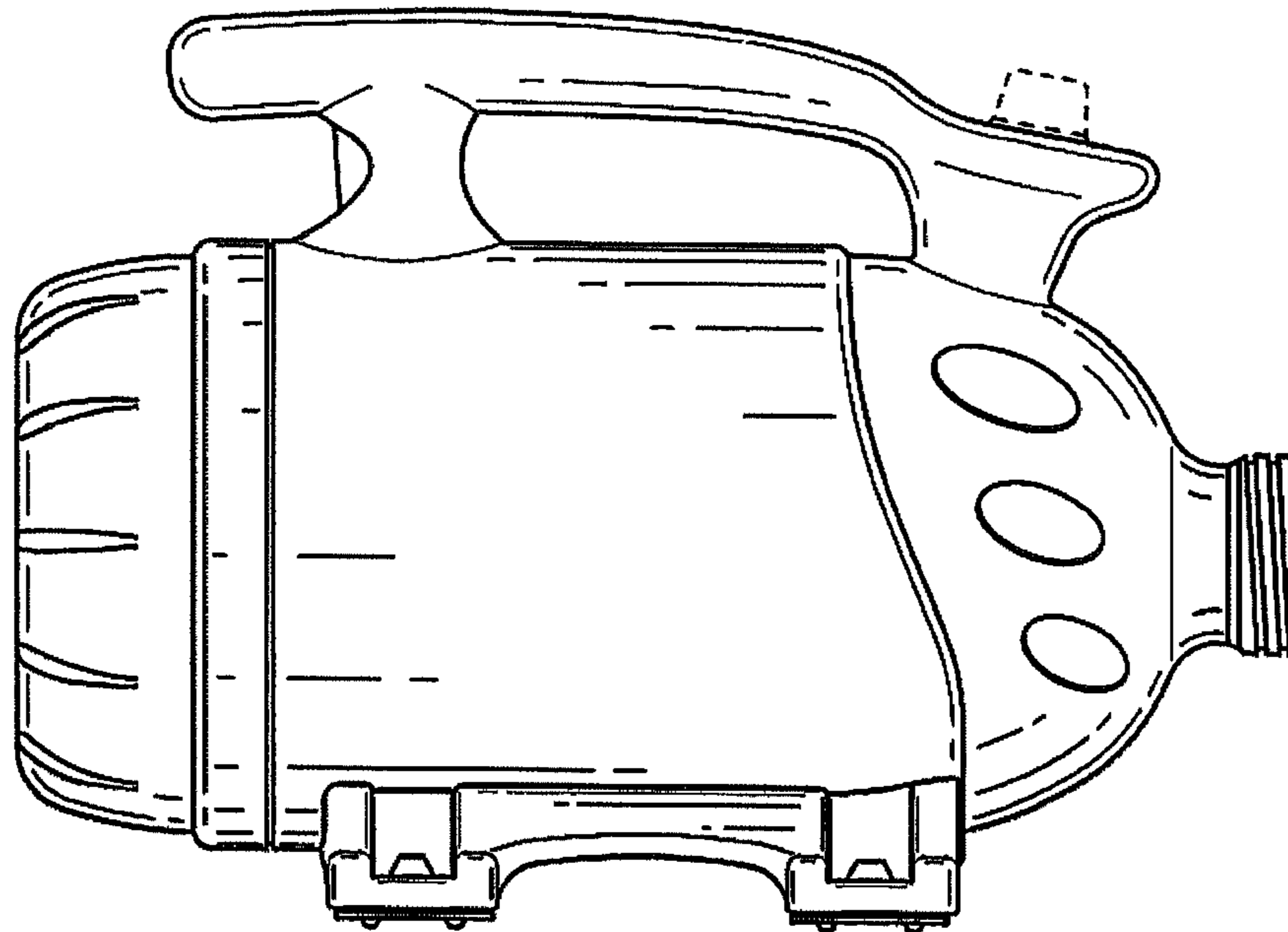


FIG. 6

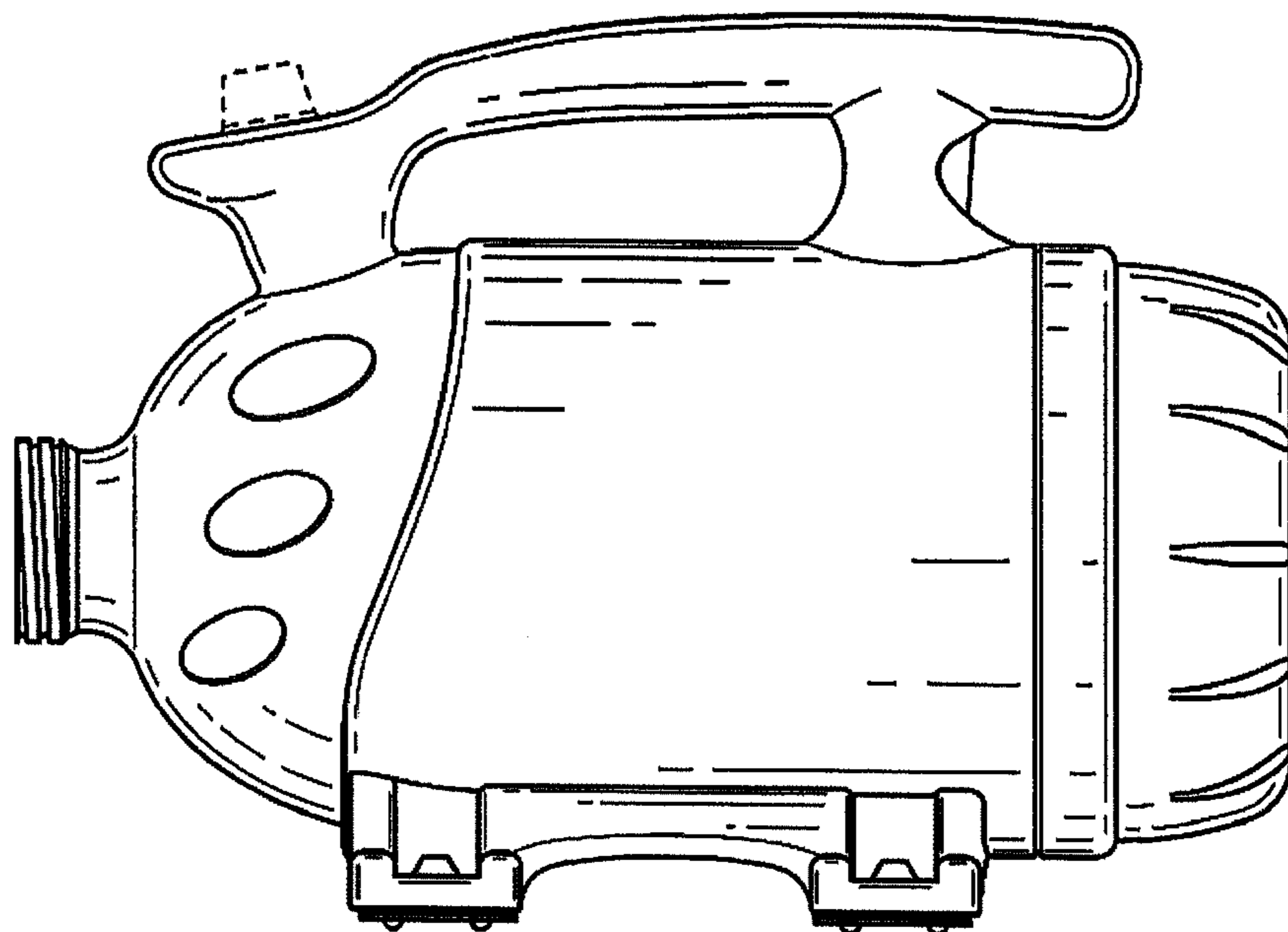


FIG. 7

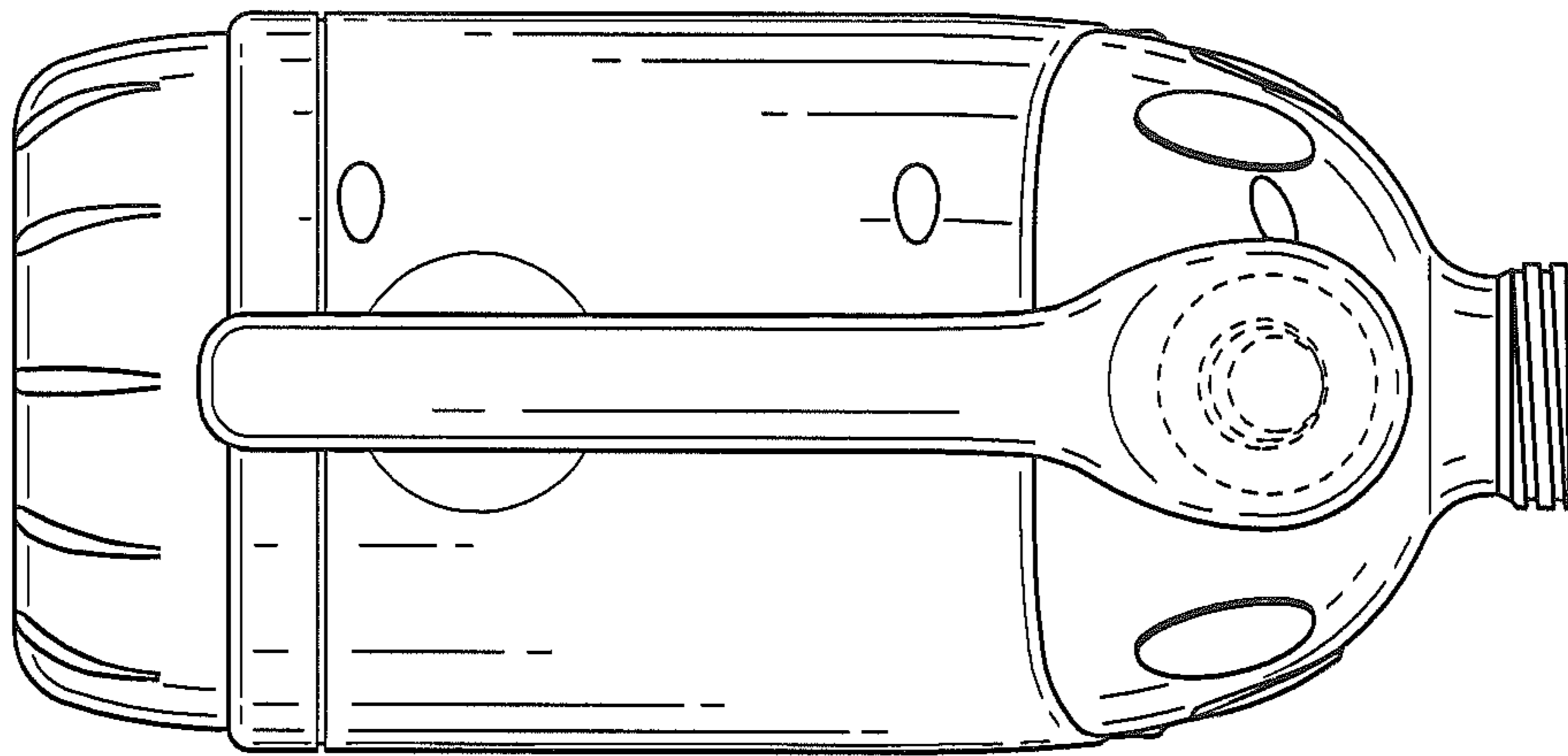


FIG. 8

