



US00D693067S

(12) **United States Design Patent**
Scherbing et al.

(10) **Patent No.:** **US D693,067 S**

(45) **Date of Patent:** **** Nov. 5, 2013**

(54) **WATERING DEVICE**

(71) Applicant: **Miller Manufacturing Company,**
Eagan, MN (US)

(72) Inventors: **Gerald Scherbing,** Minneapolis, MN
(US); **Todd Ulrich,** Cannon Falls, MN
(US)

(**) Term: **14 Years**

(21) Appl. No.: **29/440,579**

(22) Filed: **Dec. 21, 2012**

(51) **LOC (9) Cl.** **30-03**

(52) **U.S. Cl.**
USPC **D30/132**

(58) **Field of Classification Search**
USPC D30/123, 129, 132, 121; 119/69.5, 673,
119/57.8, 68, 74, 61.57, 78-81, 61.4, 57.9,
119/51.5, 61.5, 72; 47/66.6, 39, 67, 83;
239/27, 280, 200, 281, 280.5, 273, 16,
239/17, 20, 22; 4/644, 627, 638; D7/558;
D11/144, 145, 153; D99/5, 24; 27/1;
D23/201, 292; 248/127, 132, 137, 138,
248/158, 910; 215/10; D6/353, 352, 484,
D6/360, 480, 488; 219/521; 329/442, 459
See application file for complete search history.

590,615	A *	9/1897	Herron	119/77
609,755	A *	8/1898	Chapin	119/77
D30,528	S *	4/1899	Hightower	D22/122
645,680	A *	3/1900	Chapman	119/77
658,280	A *	9/1900	Randle	119/77
662,990	A *	12/1900	Thornburgh	119/77
664,524	A *	12/1900	Beeman et al.	119/77
D35,532	S *	12/1901	Fisk	D30/132
690,831	A *	1/1902	Busch	119/77
712,243	A *	10/1902	Beise	119/77
723,651	A *	3/1903	Cogswell	119/77
769,942	A *	9/1904	Eisold	119/71
783,706	A *	2/1905	Soleau	119/77
788,666	A *	5/1905	Mosure	119/80
793,859	A *	7/1905	Todd	119/77
798,493	A *	8/1905	Brown	119/77
808,393	A *	12/1905	Lewis et al.	119/77
813,954	A *	2/1906	Davis	119/77
816,557	A *	4/1906	Church	119/77
818,425	A *	4/1906	Edwards	119/77
821,493	A *	5/1906	House	119/77
825,382	A *	7/1906	Davis	119/77
835,551	A *	11/1906	Neu et al.	119/77
852,177	A *	4/1907	Gill	119/77
854,615	A *	5/1907	Vorheis et al.	119/77

(Continued)

Primary Examiner — Susan Moon Lee

(74) *Attorney, Agent, or Firm* — Merchant & Gould P.C.

(57) **CLAIM**

The ornamental design for a watering device, as shown and described.

(56) **References Cited**

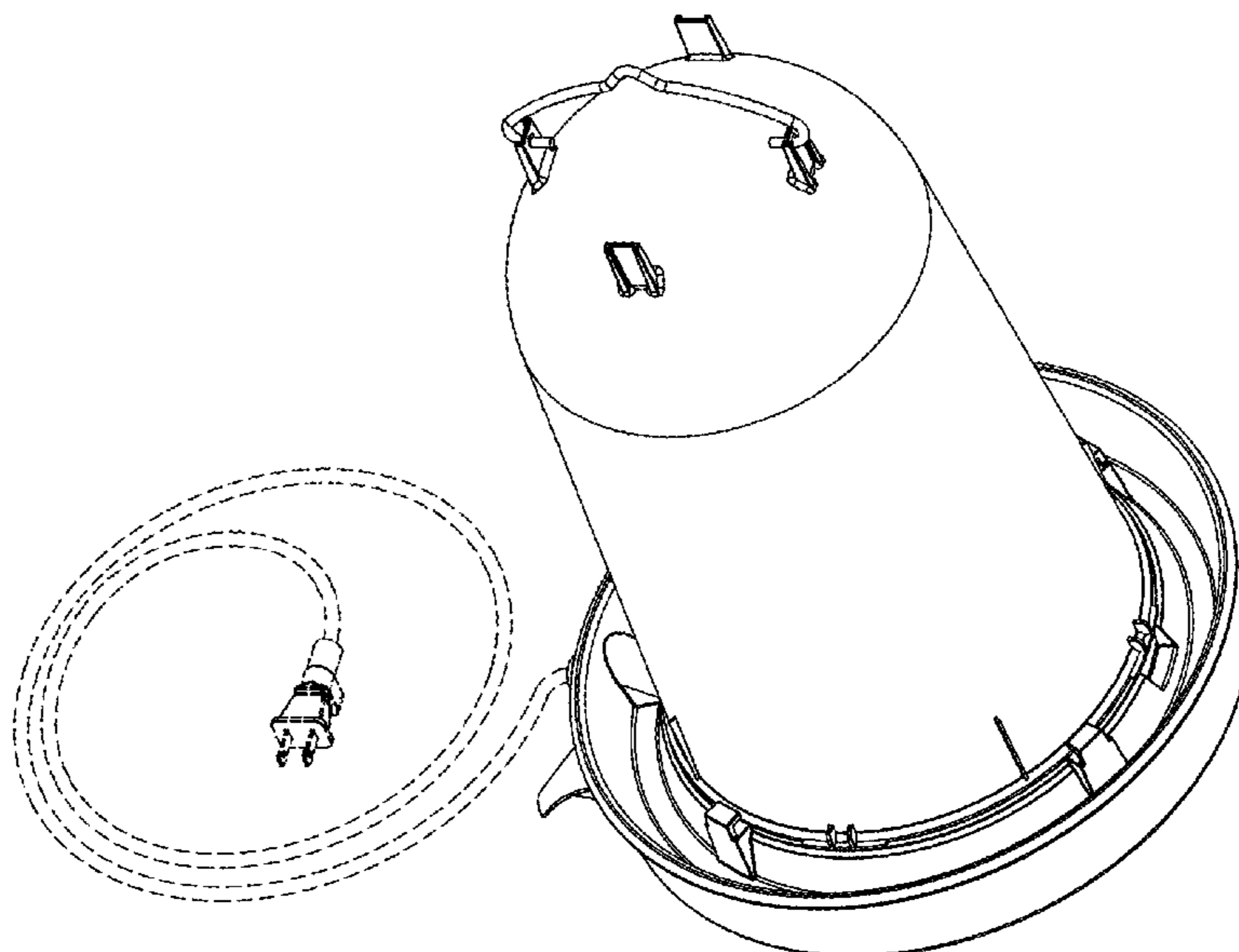
U.S. PATENT DOCUMENTS

69,351	A *	10/1867	Lomax	119/77
D4,542	S *	12/1870	Van Gaasbeek	D30/132
294,932	A *	3/1884	Tappeiner	119/77
331,097	A *	11/1885	Strong	119/77
466,397	A *	1/1892	Day	119/77
513,513	A *	1/1894	Kordick	119/80
513,561	A *	1/1894	Dodder	119/77
583,574	A *	6/1897	Hendrix et al.	119/80

DESCRIPTION

FIG. 1 is a side perspective view of the watering device.
FIG. 2 is a front view of the watering device.
FIG. 3 is a side view of the watering device; and,
FIG. 4 is a top view of the watering device.
Broken lines and portions contained within broken lines are not claimed.

1 Claim, 4 Drawing Sheets



(56)

References Cited

U.S. PATENT DOCUMENTS

867,621	A *	10/1907	Tannehill	119/77	1,577,878	A *	3/1926	Stalsberg	119/77
871,377	A *	11/1907	Swagler et al.	119/77	1,583,865	A *	5/1926	Williams	119/77
885,632	A *	4/1908	Michael	119/77	1,584,536	A *	5/1926	Healy et al.	119/77
898,716	A *	9/1908	Bernard	119/80	1,607,124	A *	11/1926	Healy	119/77
903,041	A *	11/1908	Yerian et al.	119/77	1,607,155	A *	11/1926	Felker	119/77
914,570	A *	3/1909	Hawkins	119/80	1,613,985	A *	1/1927	Dennis	119/77
917,427	A *	4/1909	Glandt	119/77	1,617,988	A *	2/1927	Boyer	119/77
937,108	A *	10/1909	Smith	119/77	1,627,140	A *	5/1927	Bindemann	119/77
954,978	A *	4/1910	Landwehr	119/77	1,699,501	A *	1/1929	McCartney	119/77
966,907	A *	8/1910	Grant	119/77	1,711,366	A *	4/1929	Tool	119/77
975,607	A *	11/1910	Duncan	119/77	1,716,239	A *	6/1929	Oakes	119/80
983,978	A *	2/1911	Chapman	119/77	1,718,944	A *	7/1929	Carmean et al.	119/77
986,945	A *	3/1911	Ruggles	119/77	1,729,912	A *	10/1929	Tolley	119/77
987,551	A *	3/1911	Chambers	119/77	1,734,390	A *	11/1929	Meredith	119/77
RE13,237	E *	5/1911	Michael	119/77	1,783,790	A *	12/1930	Hoyt	119/77
997,313	A *	7/1911	Moe	119/77	1,785,921	A *	12/1930	Thompson et al.	119/77
1,005,659	A *	10/1911	Sexton	119/77	1,787,015	A *	12/1930	Mueller	119/77
D42,061	S *	12/1911	Quebe	D30/132	1,801,932	A *	4/1931	Miller	119/77
1,010,543	A *	12/1911	Walter et al.	119/77	1,812,530	A *	6/1931	Healy	119/77
1,023,240	A *	4/1912	Bowie	119/77	1,815,964	A *	7/1931	Boyer	119/77
1,023,658	A *	4/1912	Klussman	119/77	1,820,835	A *	8/1931	Sauvageau	119/77
1,025,225	A *	5/1912	Wilson	119/77	1,828,048	A *	10/1931	Jevons	119/77
1,025,461	A *	5/1912	Fletcher	119/77	1,834,516	A *	12/1931	Dains	119/77
1,035,817	A *	8/1912	Benson	119/77	1,835,964	A *	12/1931	Pech et al.	119/77
1,042,040	A *	10/1912	Schreck	119/77	1,838,324	A *	12/1931	Olson	119/77
1,042,379	A *	10/1912	Baier	119/77	1,840,615	A *	1/1932	Arduser et al.	119/77
1,045,653	A *	11/1912	Wills	119/77	1,843,296	A *	2/1932	Olson	119/78
1,055,624	A *	3/1913	Enos, Jr.	119/77	1,851,278	A *	3/1932	Hearn	119/77
1,059,142	A *	4/1913	Gibbs	119/77	1,851,682	A *	3/1932	Oakes	119/80
1,069,943	A *	8/1913	Haffey	119/77	1,859,728	A *	5/1932	Boyer	119/77
1,070,850	A *	8/1913	Siddons	119/77	1,863,410	A *	6/1932	Morin	119/77
1,074,803	A *	10/1913	Manon	119/77	1,872,645	A *	8/1932	Barker	119/77
1,091,392	A *	3/1914	Schlichtinger	119/77	1,879,264	A *	9/1932	Hughes et al.	119/77
1,093,335	A *	4/1914	Kenly	119/77	1,913,772	A *	6/1933	Sachs	119/77
1,107,206	A *	8/1914	Schwartzburg	119/77	1,922,612	A *	8/1933	Barker	119/77
1,114,638	A *	10/1914	Nordquist	119/77	1,928,103	A *	9/1933	Hill	119/78
1,136,092	A *	4/1915	Blumer	119/77	1,985,995	A *	1/1935	Hopson	119/77
1,150,159	A *	8/1915	Wilde et al.	119/77	1,994,859	A *	3/1935	Langum	43/131
1,167,056	A *	1/1916	Enos, Jr.	119/77	2,086,341	A *	7/1937	Tolley	119/77
1,180,649	A *	4/1916	Hurd	119/77	2,094,194	A *	9/1937	Swanson	119/77
1,181,045	A *	4/1916	Tessier	119/77	2,097,563	A *	11/1937	Dreese	119/77
1,211,980	A *	1/1917	Stacy	119/77	2,097,719	A *	11/1937	Brembeck	119/80
D50,646	S *	4/1917	Busby	D30/132	2,148,180	A *	2/1939	Teigen	422/265
1,226,594	A *	5/1917	Pruefert	119/77	2,150,499	A *	3/1939	Goltz	119/79
1,227,366	A *	5/1917	Bazinet	119/77	D126,997	S *	5/1941	Bentzen et al.	D30/129
1,251,935	A *	1/1918	Stevens	119/77	2,251,507	A *	8/1941	Veith	119/77
1,290,775	A *	1/1919	Oakes	119/77	2,254,584	A *	9/1941	Tornell	119/77
1,299,091	A *	4/1919	Wygol	119/77	D130,080	S *	10/1941	Wynkoop	D7/553.6
1,330,995	A *	2/1920	West	119/77	2,316,426	A *	4/1943	Hedrick	119/77
1,331,008	A *	2/1920	Force	119/53	2,316,427	A *	4/1943	Hedrick	119/77
1,337,637	A *	4/1920	Bowman	119/77	2,324,020	A *	7/1943	Pinson	119/77
1,354,349	A *	9/1920	Solomon	119/80	2,329,865	A *	9/1943	Tolley	119/77
1,357,868	A *	11/1920	Holmes	119/73	2,364,991	A *	12/1944	Marshall	119/77
1,361,045	A *	12/1920	Giesy	119/77	2,413,647	A *	12/1946	Oldfield	119/77
1,432,587	A *	10/1922	Beasley, Jr.	119/77	2,492,806	A *	12/1949	Levine	119/80
1,446,701	A *	2/1923	Harris et al.	119/73	2,519,322	A *	8/1950	Peters et al.	119/77
1,458,450	A *	6/1923	Unger et al.	119/73	2,529,627	A *	11/1950	Oldfield	119/77
1,460,702	A *	7/1923	Caltrider et al.	119/77	2,562,165	A *	7/1951	Baringer	119/77
1,461,744	A *	7/1923	Artman	119/77	2,573,802	A *	11/1951	Mitchell	119/77
1,469,340	A *	10/1923	Shortell	119/52.1	2,584,383	A *	2/1952	Feck	119/77
1,484,160	A *	2/1924	Thrasher	119/77	2,584,782	A *	2/1952	Beckman	119/77
1,484,860	A *	2/1924	Bakken	119/77	2,600,103	A *	6/1952	Feck	119/77
1,488,584	A *	4/1924	Bakken	119/77	D167,709	S *	9/1952	Muehlfeld	D30/131
1,490,757	A *	4/1924	Baruth	119/77	2,615,425	A *	10/1952	Berry	119/77
1,502,847	A *	7/1924	Collins	119/77	2,623,500	A *	12/1952	Riley et al.	119/78
1,514,880	A *	11/1924	Tryner	119/77	2,687,115	A *	8/1954	Andrews	119/77
1,525,805	A *	2/1925	Felker	119/77	2,690,280	A *	9/1954	Henningsen	222/457
1,526,682	A *	2/1925	Schrader	119/77	2,702,528	A *	2/1955	Lehmann	119/77
1,533,627	A *	4/1925	Averill	222/586	2,808,028	A *	10/1957	Landgraf	119/53
1,537,337	A *	5/1925	De Angulo	119/80	2,808,029	A *	10/1957	Geerlings	119/53.5
1,557,502	A *	10/1925	Ryon	119/77	2,941,506	A *	6/1960	Fulton	119/53
1,560,729	A *	11/1925	Randall	119/77	D192,850	S *	5/1962	Bishop	D30/131
1,561,871	A *	11/1925	Lord	119/77	3,063,417	A *	11/1962	Blosser	119/79
1,566,571	A *	12/1925	Appleton	119/77	3,079,892	A *	3/1963	Lowery	119/79
1,571,409	A *	2/1926	Hayes	119/77	3,105,104	A *	9/1963	Neiss	261/64.1
					3,112,733	A *	12/1963	Arnott	119/77
					3,138,140	A *	6/1964	Byrd	119/80
					3,170,439	A *	2/1965	Juenger	119/73
					3,203,397	A *	8/1965	Henry	119/53

(56)

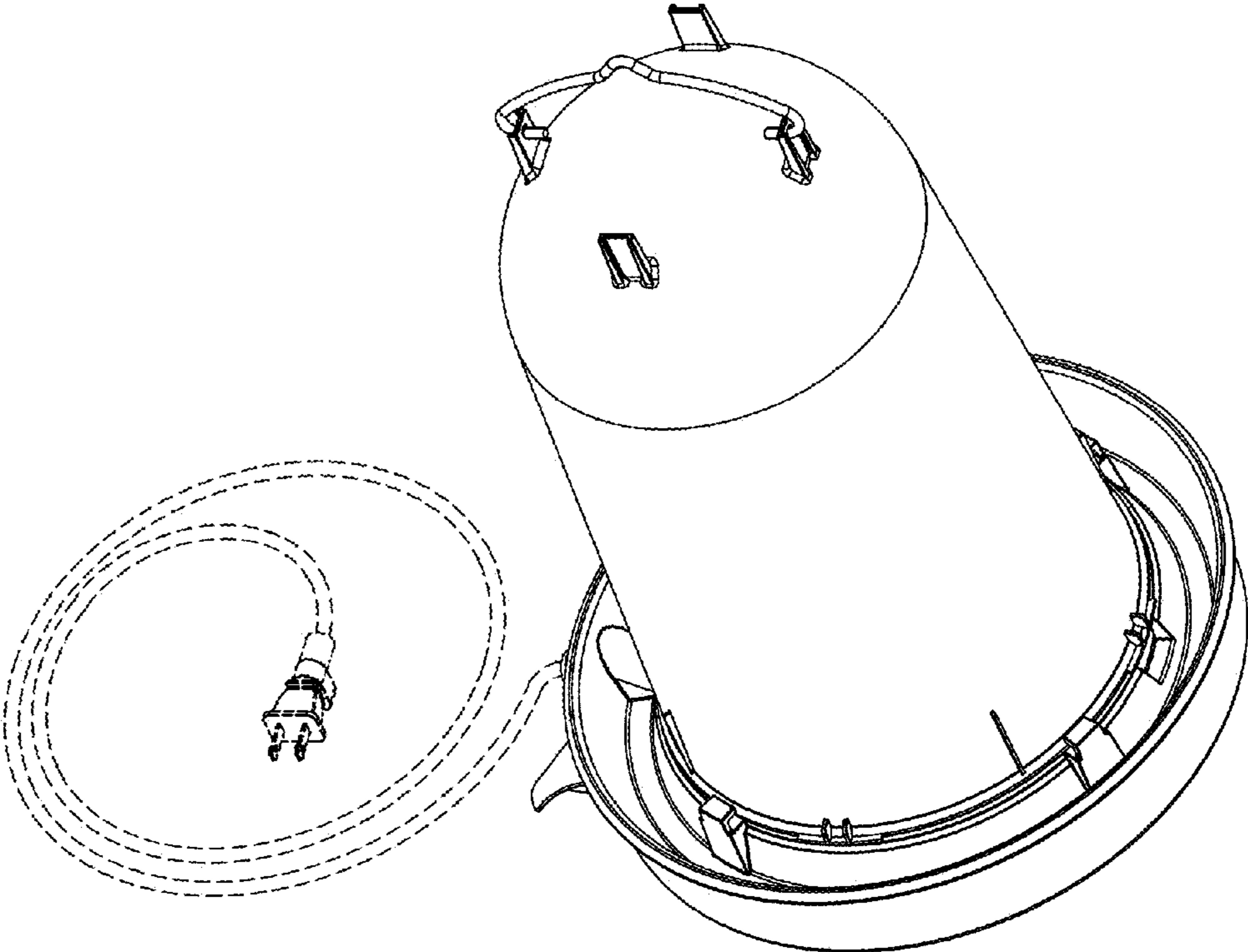
References Cited

U.S. PATENT DOCUMENTS

- 3,244,150 A * 4/1966 Benton 119/52.3
D218,831 S * 9/1970 Leeming D30/129
D232,847 S * 9/1974 Okubo D30/121
D233,642 S * 11/1974 Arnold D7/628
D234,144 S * 1/1975 Fassauer D30/132
3,874,344 A * 4/1975 Smith 119/78
D244,786 S * 6/1977 Dryden D30/128
4,094,295 A * 6/1978 Boswell et al. 126/25 R
D254,453 S * 3/1980 Strong D30/132
4,256,950 A * 3/1981 Wildgruber 392/445
4,274,365 A * 6/1981 Peters 119/78
4,281,624 A * 8/1981 Raines 119/52.1
4,309,962 A * 1/1982 Boozer 119/74
4,421,061 A * 12/1983 Shomer 119/81
4,430,985 A * 2/1984 Huneycutt 126/25 A
4,467,709 A * 8/1984 Anstedt 99/482
4,512,249 A * 4/1985 Mentzel 99/352
4,640,229 A * 2/1987 Swartzendruber
et al. 119/51.11
4,703,721 A * 11/1987 Uri 119/81
4,721,063 A * 1/1988 Atchley 119/52.1
D294,750 S * 3/1988 Atchley D30/132
4,840,143 A * 6/1989 Simon 119/52.1
4,991,345 A * 2/1991 Bloch 47/79
5,099,798 A * 3/1992 Ohara 119/80
5,146,873 A * 9/1992 Gray 119/73
5,156,113 A * 10/1992 Sextro et al.
D331,647 S * 12/1992 Embree D30/124
5,207,182 A * 5/1993 Lorenzana 119/77
5,218,926 A * 6/1993 Wenstrand 119/77
5,452,683 A * 9/1995 Poffenroth et al.
D371,643 S * 7/1996 Lillelund et al. D30/122
D374,109 S * 9/1996 Lillelund et al. D30/121
D374,516 S * 10/1996 Lillelund et al. D30/132
D374,952 S * 10/1996 Wenstrand D30/132
5,687,783 A * 11/1997 Finnegan 141/364
5,699,753 A * 12/1997 Aldridge, III 119/52.1
5,711,248 A * 1/1998 Boyd 119/77
5,730,082 A * 3/1998 Newman 119/51.5
5,775,257 A * 7/1998 Park 119/57.8
5,829,386 A * 11/1998 Wenstrand 119/77
D403,131 S * 12/1998 Bowell et al. D30/132
5,845,600 A * 12/1998 Mendes 119/51.5
5,845,605 A * 12/1998 Malamphy 119/69.5
6,079,361 A * 6/2000 Bowell et al. 119/72
6,123,015 A * 9/2000 McLain et al. 99/449
D432,279 S * 10/2000 Kim D30/121
6,155,205 A * 12/2000 Coates 119/57.9
6,272,976 B1 * 8/2001 Berryman 99/340
6,405,675 B1 * 6/2002 Mills 119/74
6,446,545 B2 * 9/2002 Rigney 99/339
6,467,428 B1 * 10/2002 Andrisin et al. 119/51.5
6,469,281 B1 * 10/2002 Reusche et al.
6,640,745 B1 * 11/2003 Park 119/52.2
6,739,284 B1 * 5/2004 Olive 119/74
6,789,503 B1 * 9/2004 Gao 119/51.11
6,843,205 B1 * 1/2005 Segreto 119/74
D503,833 S * 4/2005 Bright et al. D30/104
6,880,484 B1 * 4/2005 Lee 119/74
6,928,954 B2 * 8/2005 Krishnamurthy 119/51.5
7,040,249 B1 * 5/2006 Mushen 119/51.5
7,270,082 B2 * 9/2007 Plante 119/74
7,423,243 B2 * 9/2008 Reusche et al.
7,640,848 B1 * 1/2010 Bourgeois 99/340
7,659,493 B2 * 2/2010 Reusche et al.
D612,107 S * 3/2010 Gardner D30/124
D612,658 S * 3/2010 Schenk D7/307
7,735,455 B2 * 6/2010 Clark, Jr.
D625,138 S * 10/2010 Feller et al. D7/326
D633,659 S * 3/2011 Lai D30/121
7,895,973 B1 * 3/2011 Whelan 119/51.02
8,132,531 B1 * 3/2012 Martin 119/74
8,176,874 B2 * 5/2012 Reusche et al.
D664,304 S * 7/2012 Whelan D30/122
D671,356 S * 11/2012 Huang et al. D7/386
8,336,496 B2 * 12/2012 Reusche et al. 119/73
D681,888 S * 5/2013 Fang D30/132
D682,484 S * 5/2013 Selman D30/132
2002/0096120 A1 * 7/2002 Busha 119/51.5
2002/0195001 A1 * 12/2002 Hester 99/345
2003/0234014 A1 * 12/2003 Fitzgerald 126/25 R
2004/0200359 A1 * 10/2004 Snider 99/446
2005/0160995 A1 * 7/2005 Graves 119/78
2005/0217591 A1 * 10/2005 Turner et al. 119/51.02
2006/0174838 A1 * 8/2006 Plante 119/74
2007/0012253 A1 * 1/2007 Zheng 119/51.02
2007/0193524 A1 * 8/2007 Turner et al. 119/51.02
2008/0202436 A1 * 8/2008 Romeu Guardia 119/52.1
2008/0245308 A1 * 10/2008 Clark 119/74
2008/0257273 A1 * 10/2008 Carter et al. 119/72
2010/0122660 A1 * 5/2010 Willett 119/51.5
2010/0170839 A1 * 7/2010 Kohl 210/232
2011/0197819 A1 * 8/2011 Montgomery 119/51.11
2012/0192797 A1 * 8/2012 Reusche et al.

* cited by examiner

FIG.1



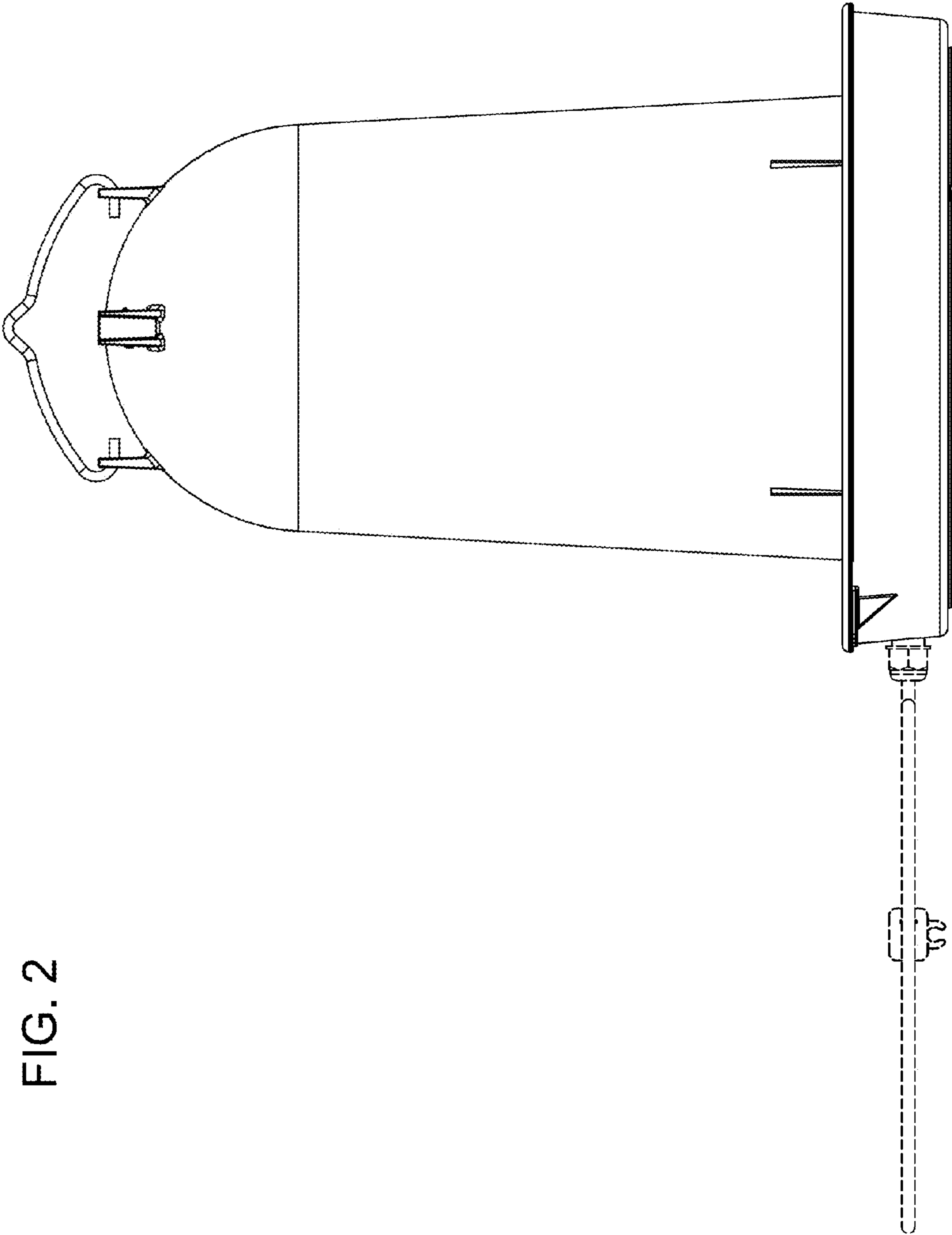


FIG. 2

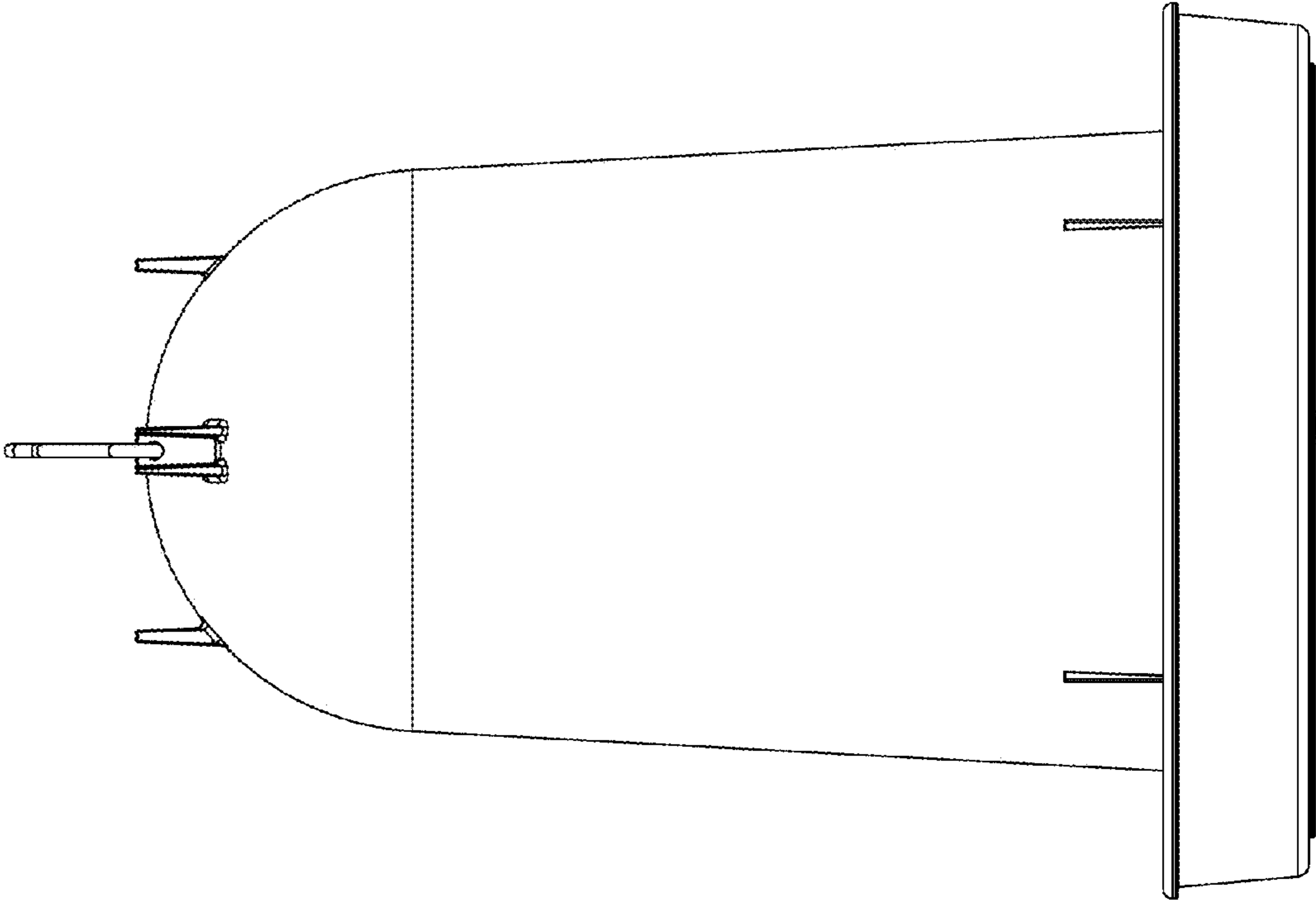


FIG. 3

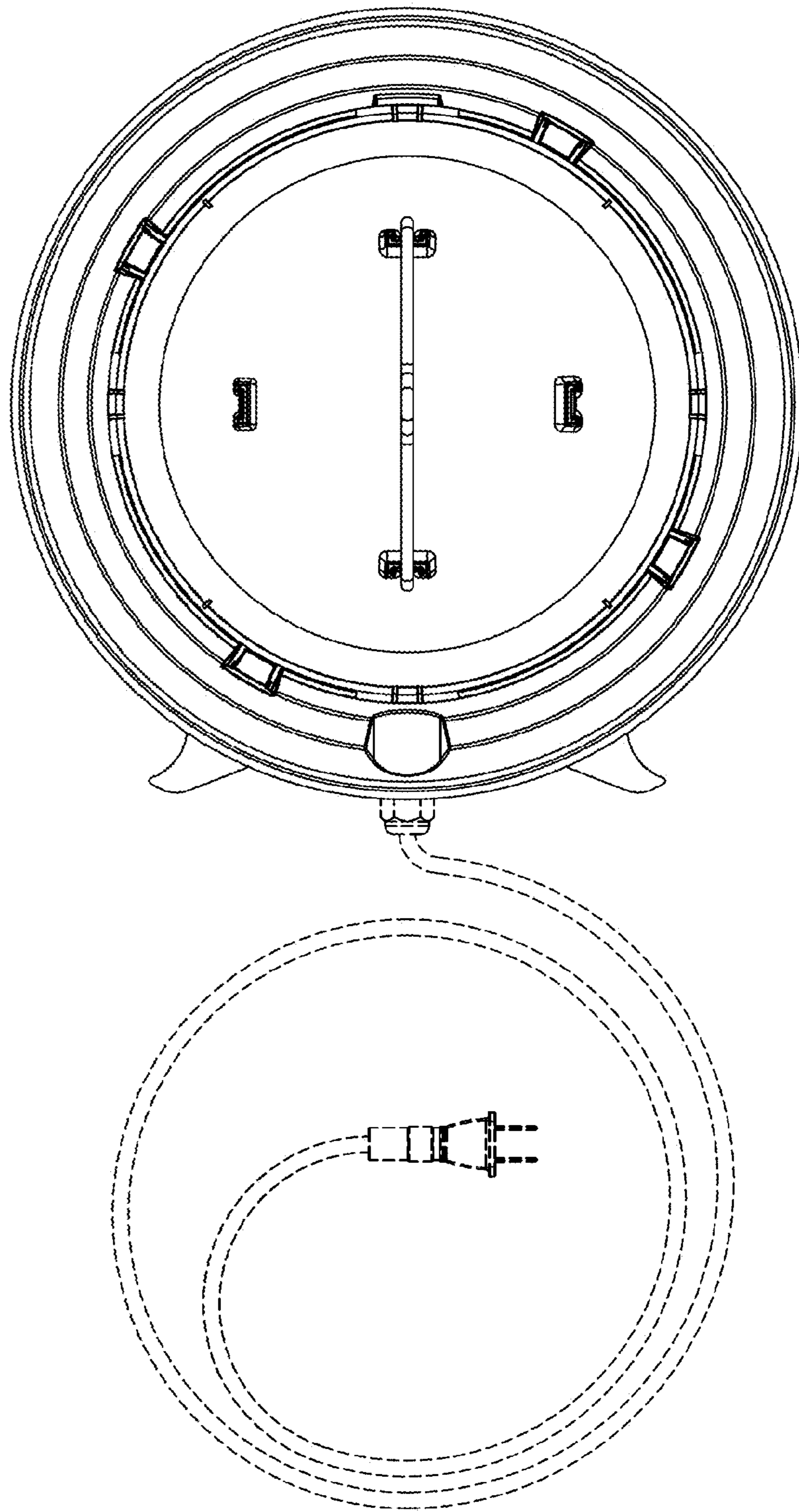


FIG. 4