

US00D693066S

(12) **United States Design Patent**
Kilroy

(10) **Patent No.:** **US D693,066 S**

(45) **Date of Patent:** **** Nov. 5, 2013**

(54) **AQUA-AVIAN EXHIBIT**

(76) **Inventor:** **Patrick F. Kilroy**, Lake Elsinore, CA
(US)

(**) **Term:** **14 Years**

(21) **Appl. No.:** **29/393,856**

(22) **Filed:** **Jun. 10, 2011**

Related U.S. Application Data

(63) Continuation of application No. 12/684,957, filed on
Jan. 10, 2010, now abandoned.

(51) **LOC (9) Cl.** **30-02**

(52) **U.S. Cl.**
USPC **D30/104**

(58) **Field of Classification Search**
USPC D30/101-106, 108, 110-112, 119, 199;
211/189; 248/146; 312/107-108,
312/138.1, 114; 119/226, 228, 245-251,
119/253, 255, 256, 269, 452, 467, 459, 462,
119/468, 482, 500; D21/606; D20/7;
D6/436, 470, 474, 448, 464
See application file for complete search history.

(56) **References Cited**

U.S. PATENT DOCUMENTS

D152,456 S * 1/1949 Buxbaum et al. D30/104
2,693,786 A * 11/1954 Babros et al. 119/459
3,341,267 A * 9/1967 Weitzman 312/114

3,387,587 A * 6/1968 Smith et al. 119/211
D236,839 S * 9/1975 Polli D30/101
D294,897 S * 3/1988 Wenkman D6/448
D340,550 S * 10/1993 Teats D30/104
5,263,772 A * 11/1993 Ritzow 312/138.1
D356,877 S * 3/1995 Burks D30/108
5,448,964 A * 9/1995 Takimoto 119/459
D383,623 S * 9/1997 Goodwin et al. D6/470
D467,040 S * 12/2002 Bunting D30/108
6,606,964 B2 * 8/2003 Marchioro 119/452
7,165,749 B2 * 1/2007 Venezia 248/146
7,421,976 B1 * 9/2008 Travers 119/269
7,707,971 B2 * 5/2010 Dietz 119/452
7,886,696 B2 * 2/2011 Marks et al. 119/260
8,191,510 B2 * 6/2012 Euse 119/467
D669,643 S * 10/2012 Kilroy D30/104
2002/0152969 A1 * 10/2002 Grigsby et al. 119/500
2006/0112897 A1 * 6/2006 Moore 119/482
2011/0203526 A1 * 8/2011 Kilroy 119/246

* cited by examiner

Primary Examiner — Wan Laymon

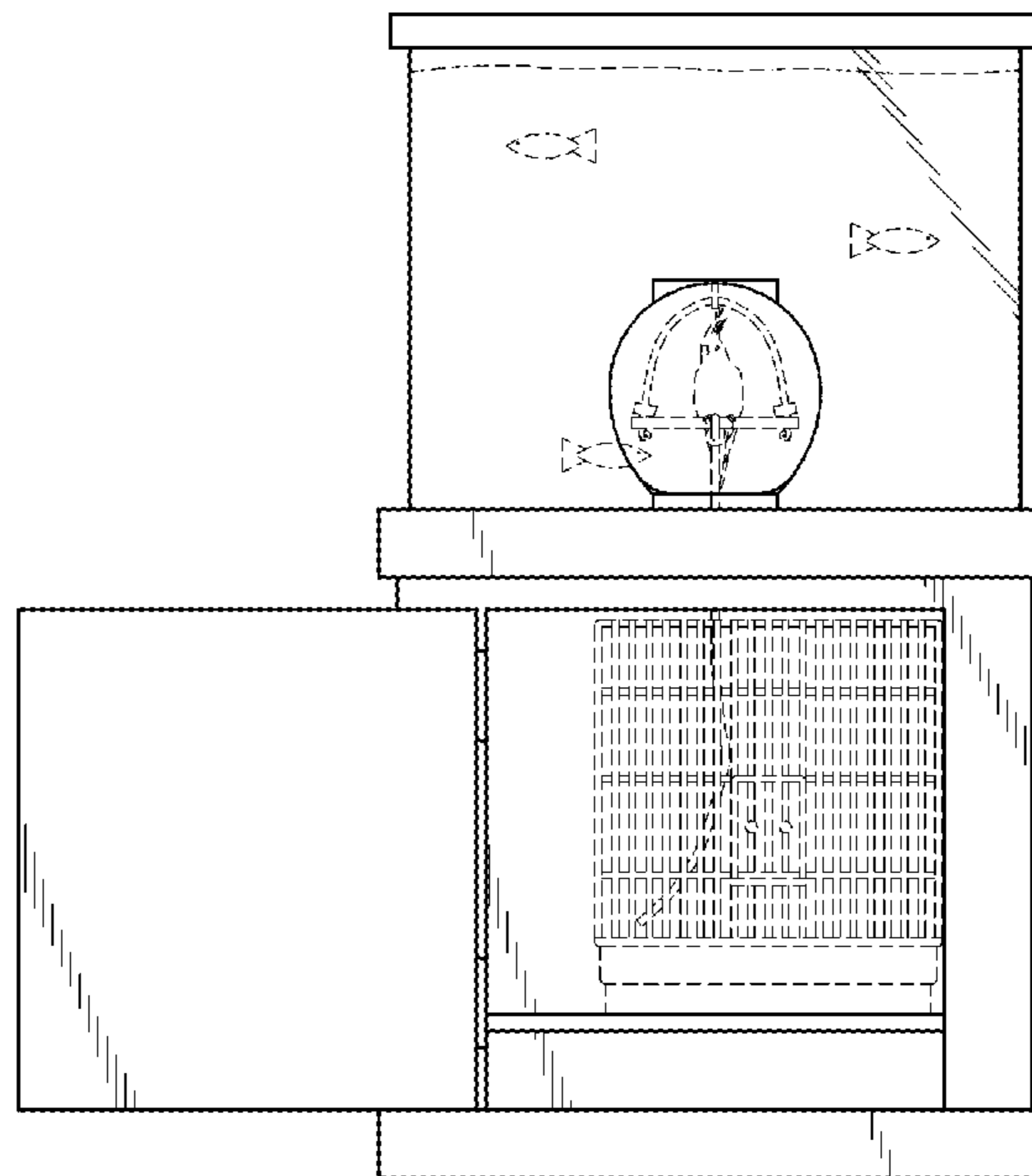
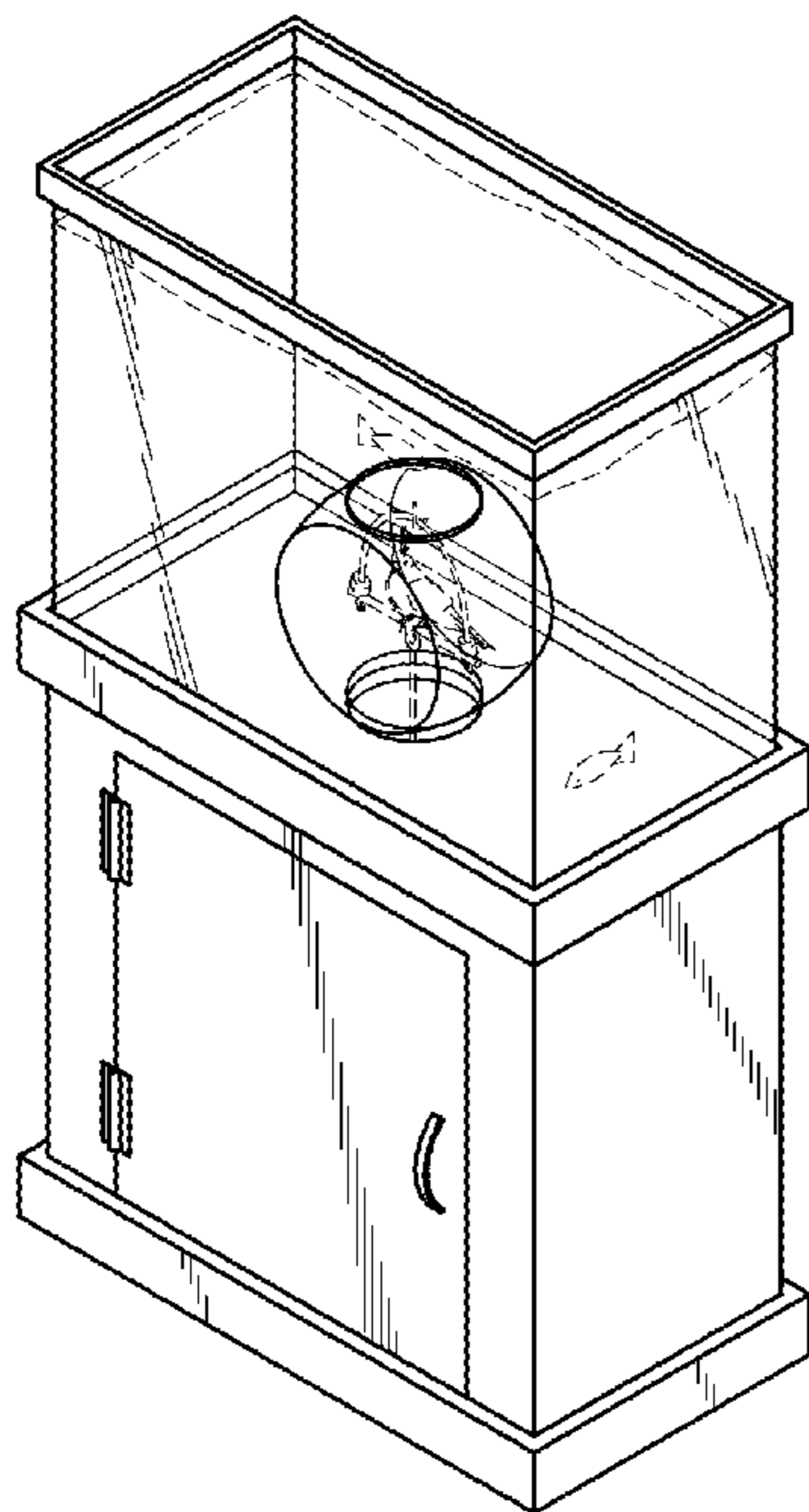
(57) **CLAIM**

The ornamental design for an aqua-avian exhibit, as shown
and described.

DESCRIPTION

FIG. 1 is a perspective view of the subject invention; and,
FIG. 2 is a front view of FIG. 1 showing the enclosed cabinet
door in the open position.
Portions of the aqua-avian exhibit shown in broken lines form
no part of the claimed design.

1 Claim, 2 Drawing Sheets



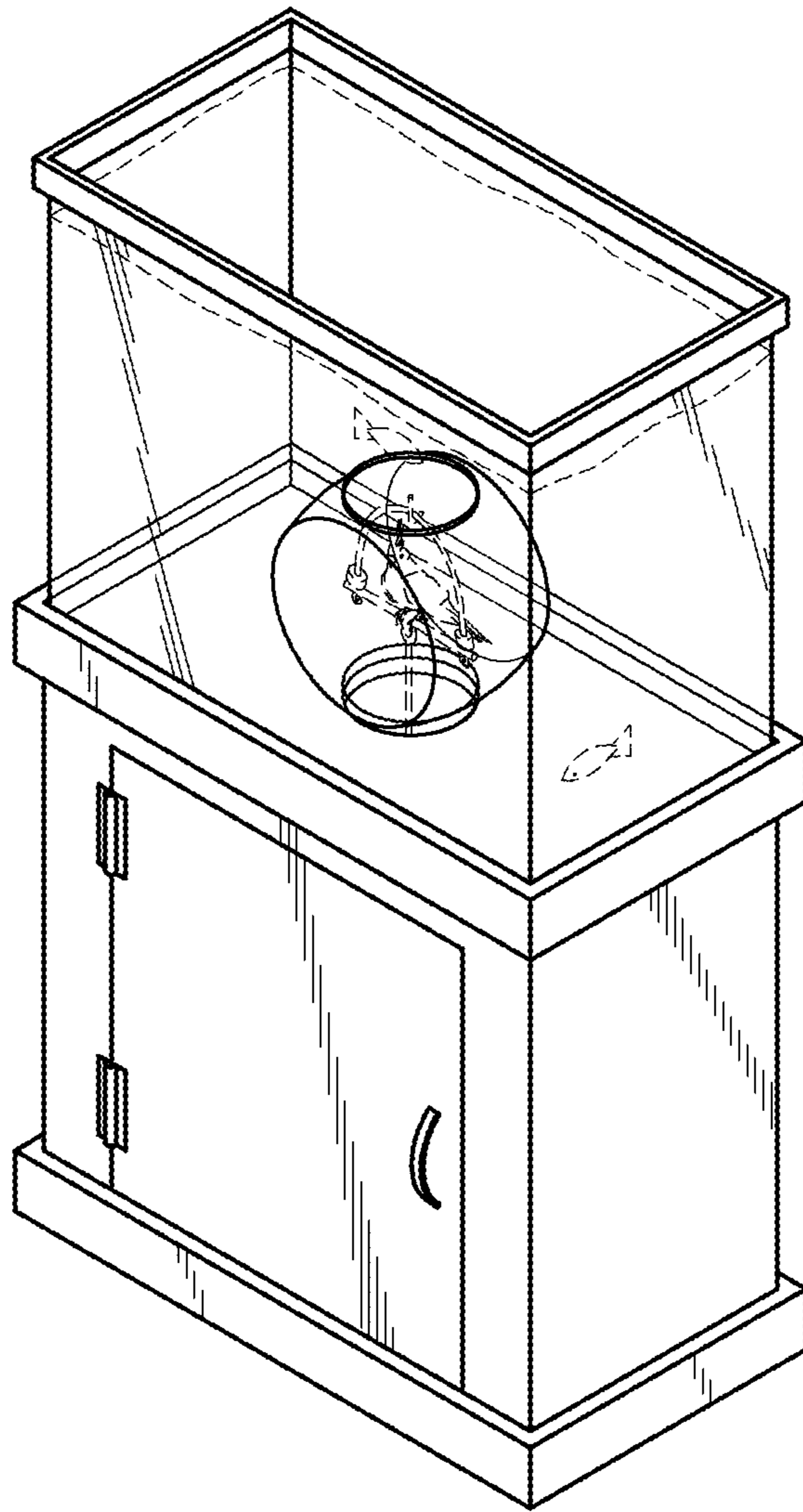


FIG. 1

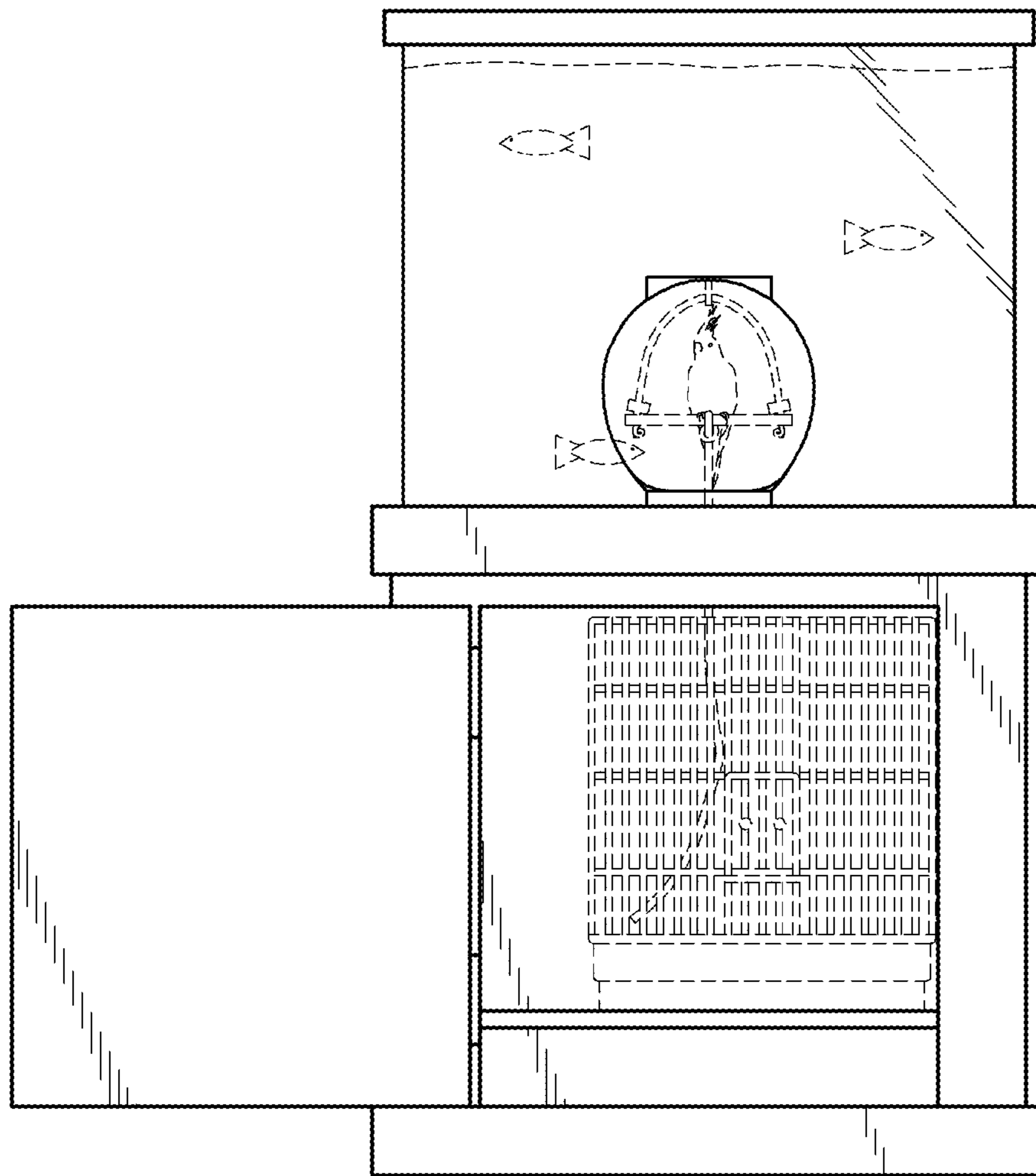


FIG. 2