



US00D693065S

(12) **United States Design Patent**
Cook

(10) **Patent No.:** **US D693,065 S**

(45) **Date of Patent:** **** Nov. 5, 2013**

(54) **LEG PROTECTOR**

(71) Applicant: **Robert A. Cook**, Red Wing, MN (US)

(72) Inventor: **Robert A. Cook**, Red Wing, MN (US)

(**) Term: **14 Years**

(21) Appl. No.: **29/448,060**

(22) Filed: **Mar. 8, 2013**

(51) **LOC (9) Cl.** **29-02**

(52) **U.S. Cl.**
USPC **D29/120.1**

(58) **Field of Classification Search**

USPC D29/100, 101.1, 101.2, 101.3, 101.4,
D29/101.5, 120.1, 120.2, 121.1, 121.2;
D2/901; D24/190; 2/16, 20-24, 62,
2/267, 455, 461, 463, 910, 911, 242,
2/908; 602/3, 5, 6, 16, 23, 26; 128/878,
128/882

See application file for complete search history.

(56) **References Cited**

U.S. PATENT DOCUMENTS

4,905,715	A *	3/1990	Johnson	128/882
4,926,501	A *	5/1990	Goosen	2/22
D343,256	S *	1/1994	Davis	D29/121.1
D344,609	S *	2/1994	Lapin	D29/121.1
5,375,262	A *	12/1994	Carter	2/23
5,728,059	A *	3/1998	Wiesemann et al.	602/64
5,784,715	A *	7/1998	Buchanan	2/22
6,058,505	A *	5/2000	Bettencourt	2/24
6,405,383	B2 *	6/2002	Heller et al.	2/242
7,047,566	B2 *	5/2006	Beland et al.	2/22

7,096,507	B1 *	8/2006	Bolden	2/22
D542,476	S *	5/2007	Carpentier	D29/120.1
7,690,048	B2 *	4/2010	Brandt	2/22

* cited by examiner

Primary Examiner — Randall Gholson

(74) *Attorney, Agent, or Firm* — Patterson Thunte Pedersen, P.A.

(57) **CLAIM**

I claim the ornamental design for leg protector, as shown and described.

DESCRIPTION

FIG. 1 is a front, perspective view of a leg protector according to an embodiment of the invention.

FIG. 2 is a front view of the leg protector depicted in FIG. 1.

FIG. 3 is a rear view of the leg protector depicted in FIG. 1.

FIG. 4 is a top view of the leg protector depicted in FIG. 1.

FIG. 5 is a bottom view of the leg protector depicted in FIG. 1.

FIG. 6 is a left side view of the leg protector depicted in FIG. 1.

FIG. 7 is a right side view of the leg protector depicted in FIG. 1; and,

FIG. 8 is a front, perspective view of the leg protector depicted in FIG. 1 shown in an illustrative environment.

Items shown in broken lines show unclaimed subject matter and form no part of the claimed invention.

1 Claim, 5 Drawing Sheets

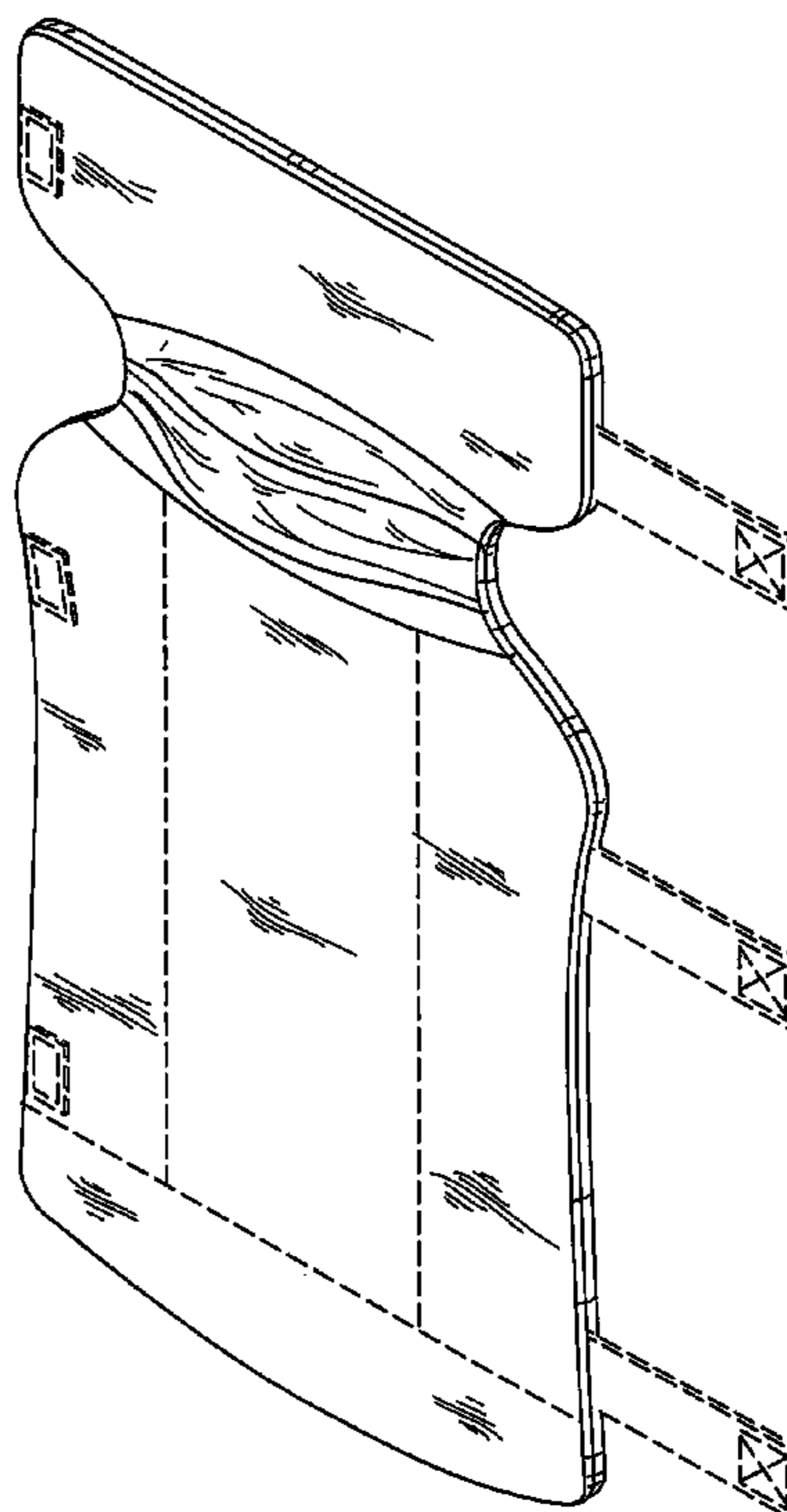


Fig. 1

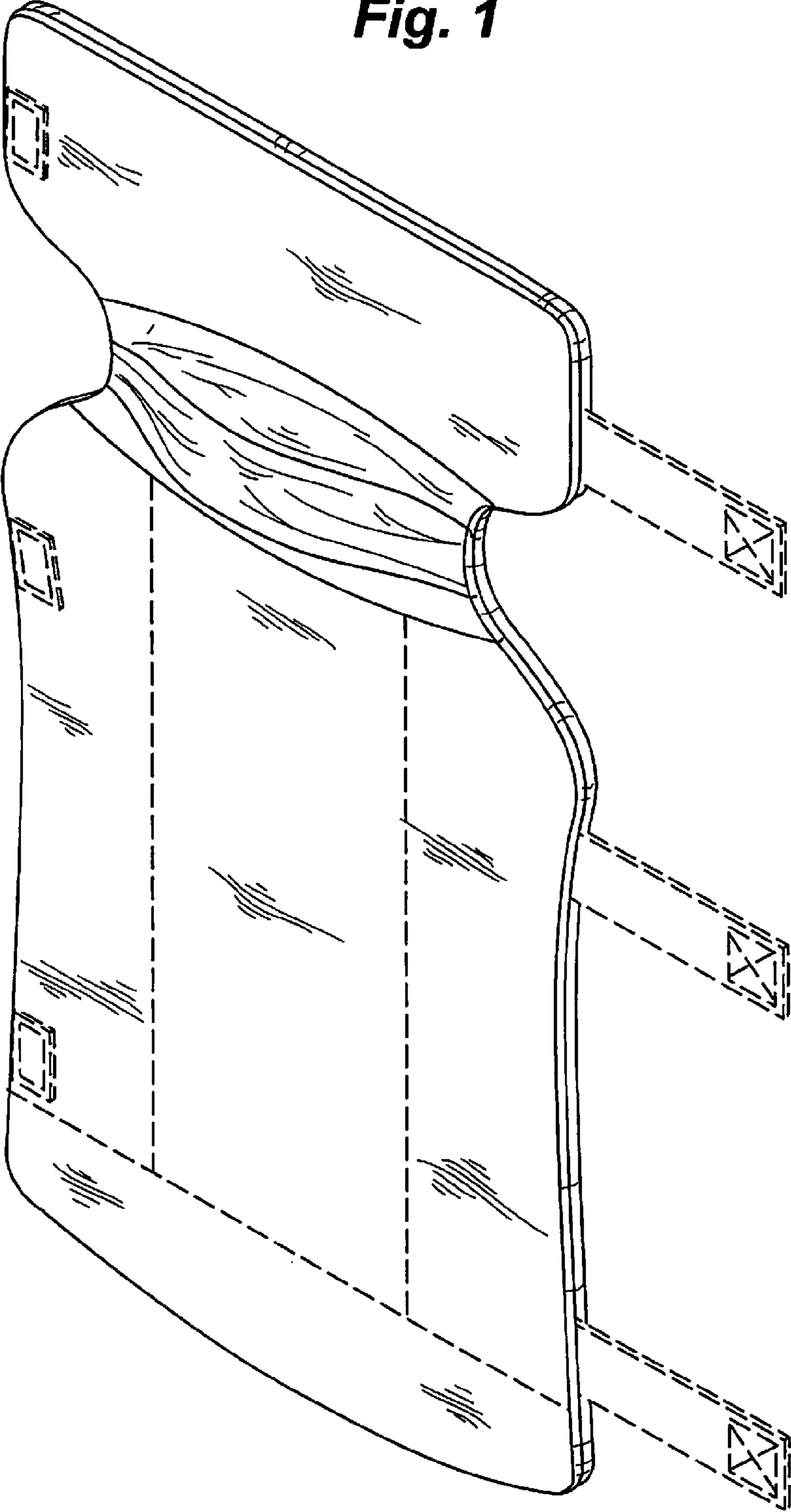


Fig. 2

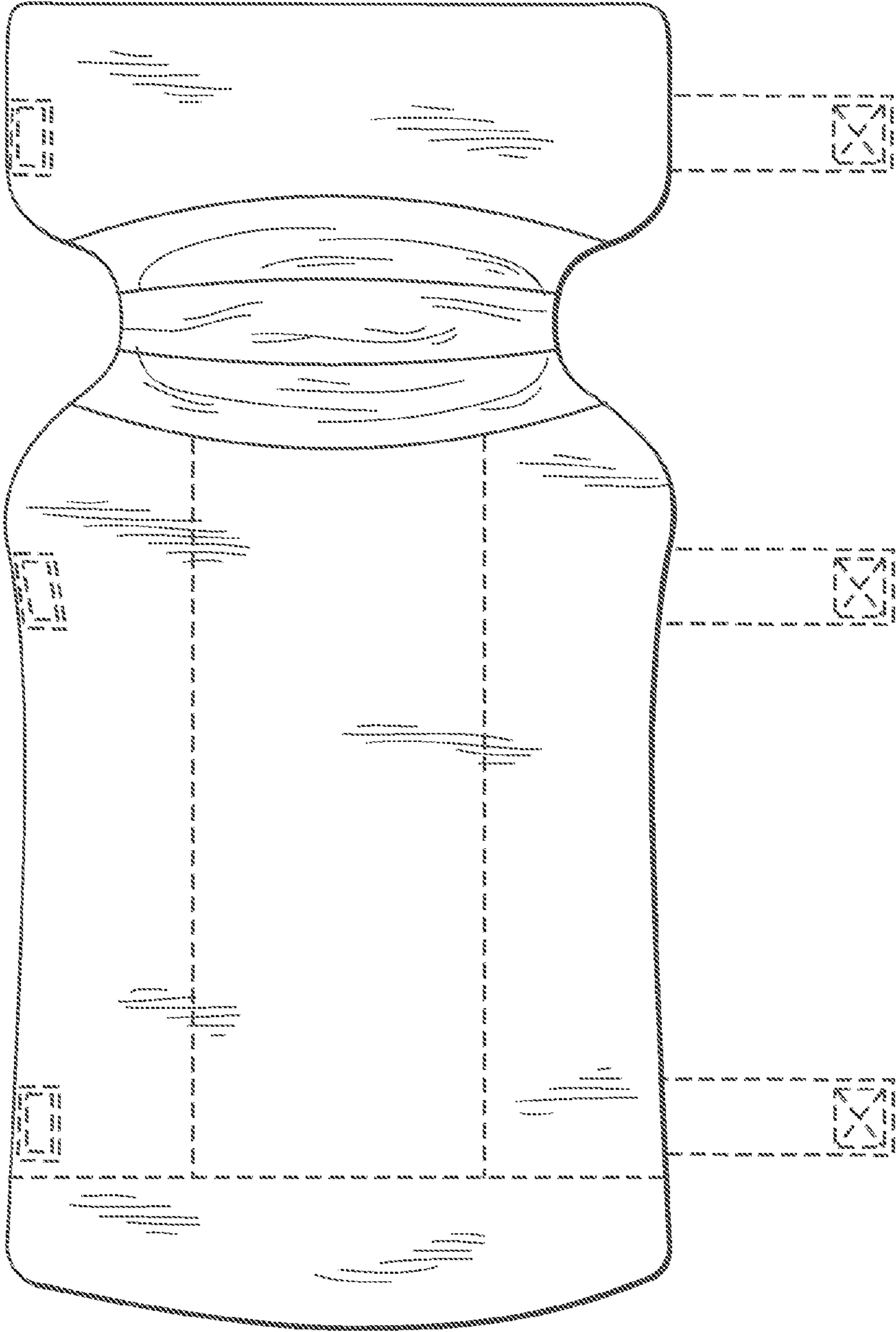


Fig. 3

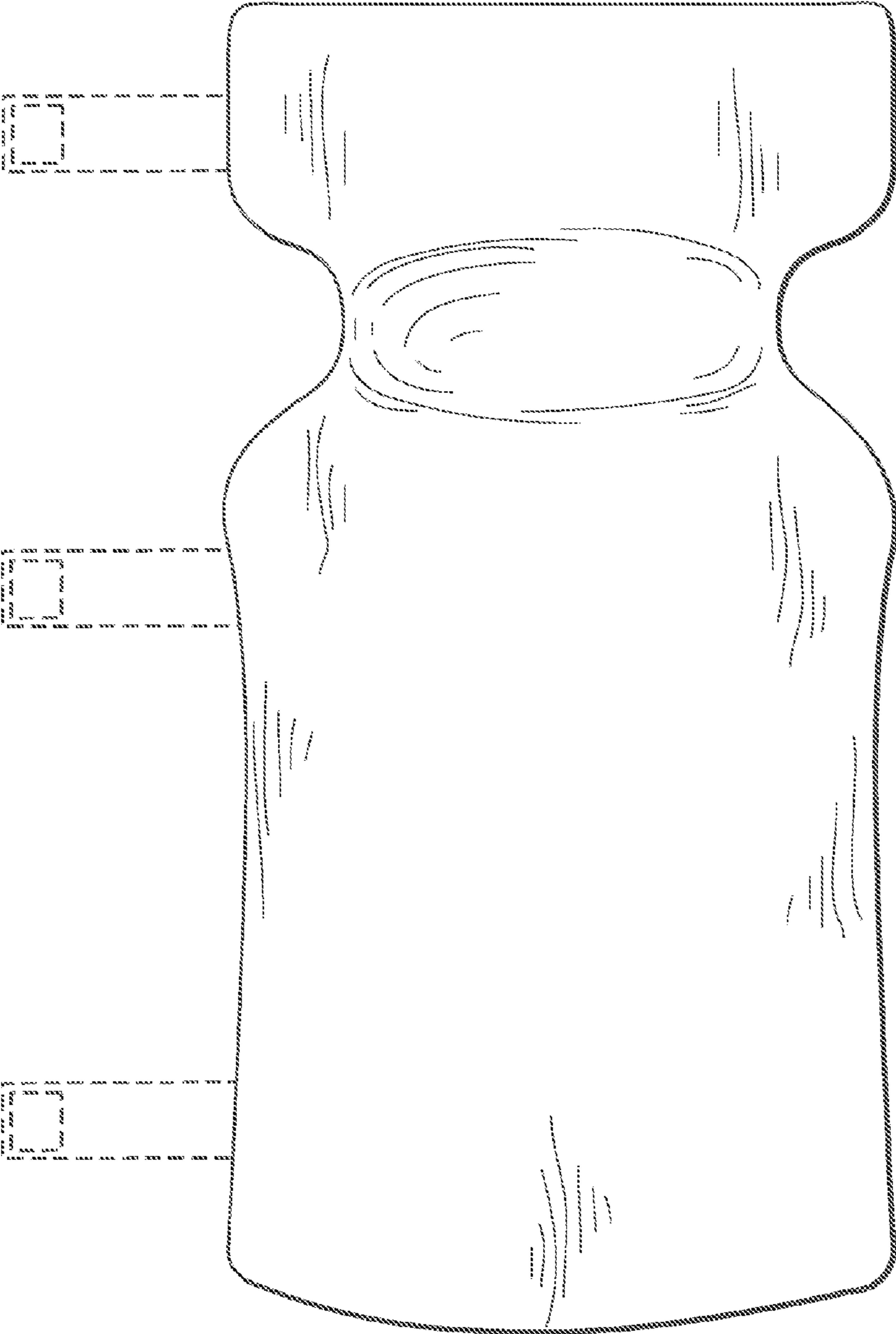


Fig. 4

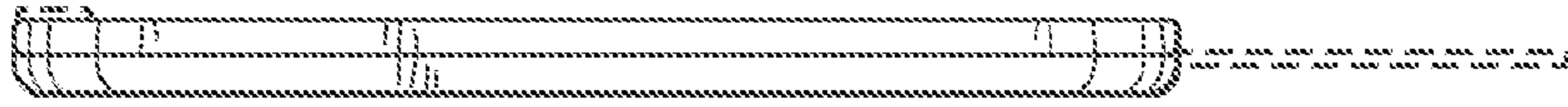


Fig. 5

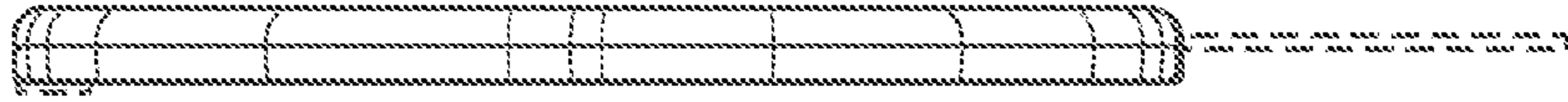
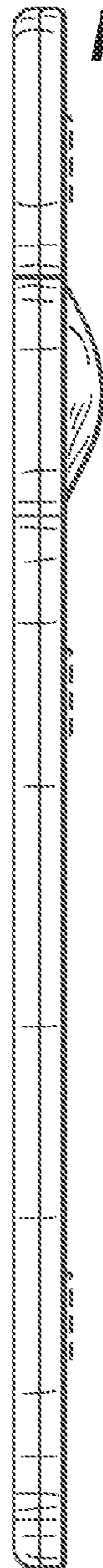


Fig. 6



Fig. 7



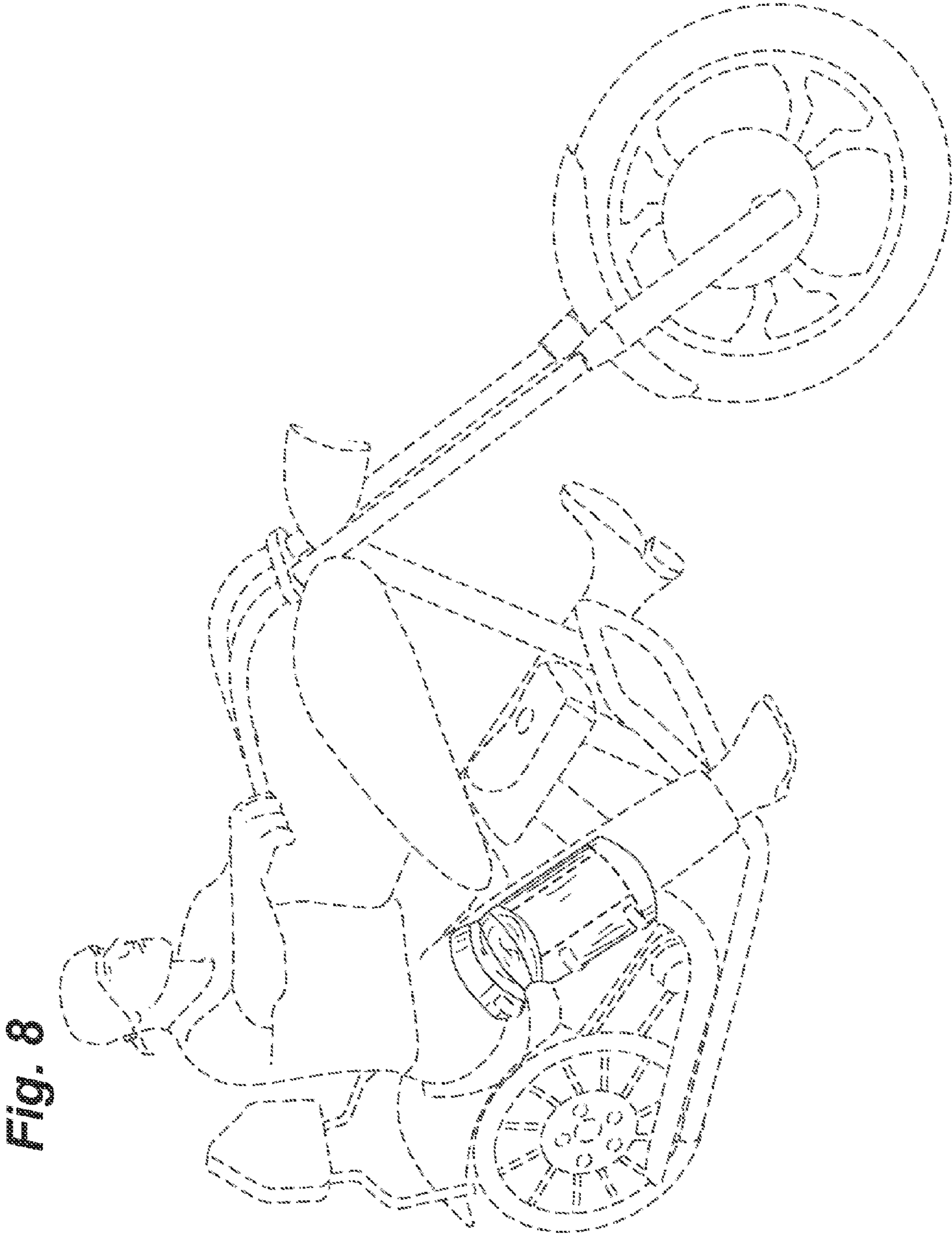


Fig. 8