



US00D693060S

(12) **United States Design Patent**
Lyles

(10) **Patent No.:** **US D693,060 S**
(45) **Date of Patent:** **** Nov. 5, 2013**

(54) **CONTOURED ELECTRIC HEAD SHAVER**

(71) Applicant: **Skull Shaver, LLC**, Mount Holly, NJ
(US)

(72) Inventor: **John Lyles**, Mount Ephraim, NJ (US)

(73) Assignee: **Skull Shaver, LLC**, Mount Holly, NJ
(US)

(**) Term: **14 Years**

(21) Appl. No.: **29/453,235**

(22) Filed: **Apr. 26, 2013**

(51) **LOC (9) Cl.** **28-03**

(52) **U.S. Cl.**
USPC **D28/50**

(58) **Field of Classification Search**
USPC D28/44-54; 30/32, 34.05, 34.1, 34.2,
30/43-43.92, 526-527, 44-45, 341,
30/195-223, 272.1, 226-227, 231,
30/233-233.5

See application file for complete search history.

(56) **References Cited**

U.S. PATENT DOCUMENTS

5,520,616 A 5/1996 Hofmeister
D426,918 S 6/2000 Greene
6,112,421 A 9/2000 Greene
D446,351 S 8/2001 Greene

D528,701 S 9/2006 Oh
D546,001 S * 7/2007 McLachlan D28/50
D558,924 S 1/2008 Cafaro et al.
D601,301 S 9/2009 Bao
D663,897 S 7/2012 Aulwes et al.
D671,267 S * 11/2012 Hsu D28/50
D672,504 S 12/2012 Lyles
2009/0025234 A1 1/2009 Carlucci
2011/0016734 A1* 1/2011 Kludjian et al. 30/526

* cited by examiner

Primary Examiner — Jennifer Rivard

(74) *Attorney, Agent, or Firm* — Norman E. Lehrer

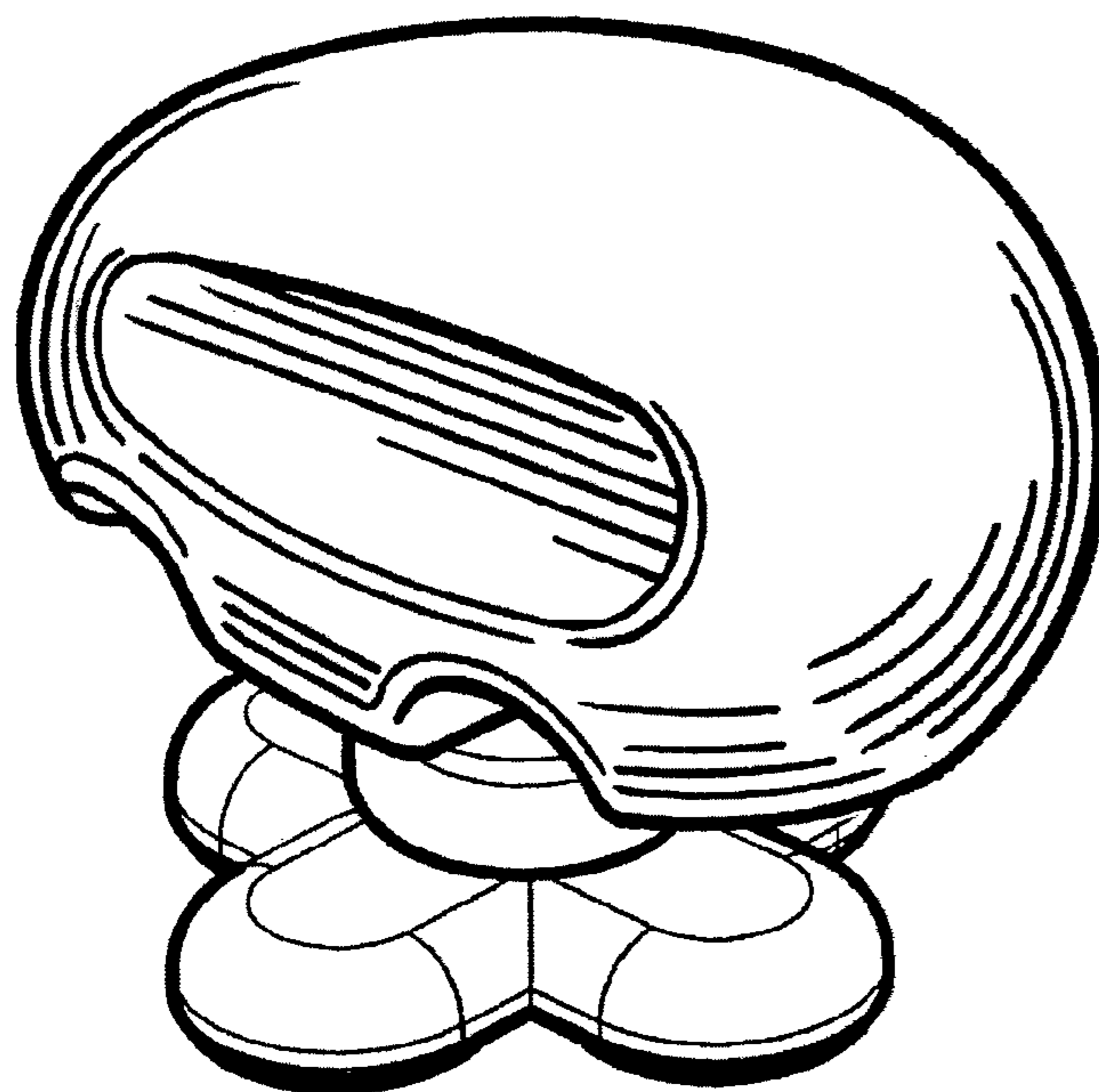
(57) **CLAIM**

The ornamental design for a contoured electric head shaver,
as shown and described.

DESCRIPTION

FIG. 1 is a front top perspective view of a contoured electric head shaver showing my new design;
FIG. 2 is a front bottom perspective view thereof;
FIG. 3 is a top plan view thereof;
FIG. 4 is a bottom plan view thereof;
FIG. 5 is a left side view thereof, the right side being the mirror image thereof;
FIG. 6 is a rear end elevational view thereof, and,
FIG. 7 is a front end elevational view thereof.
The broken lines shown in the drawings illustrate portions of the article and form no part of the claimed design.

1 Claim, 2 Drawing Sheets



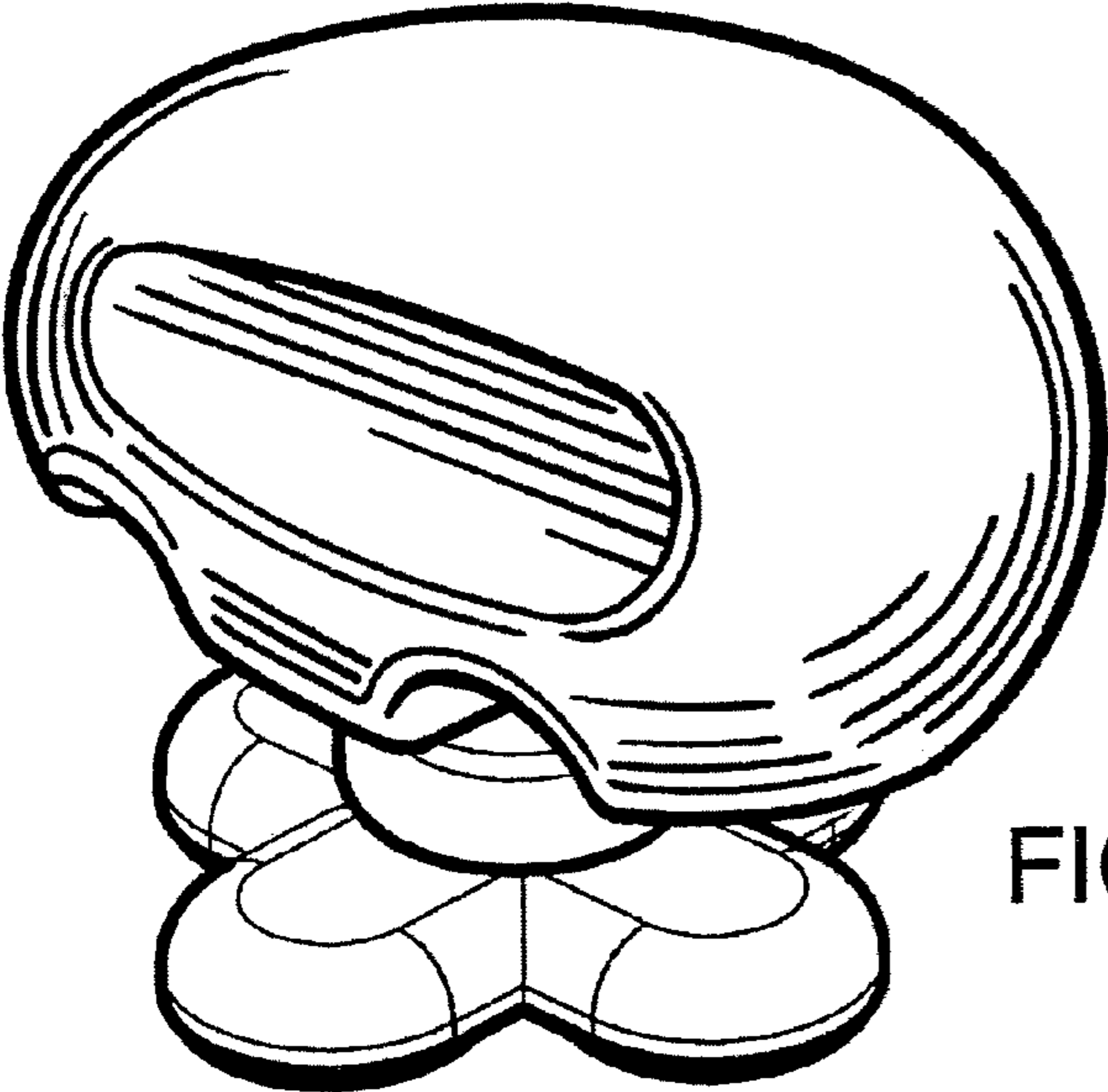


FIG. 1

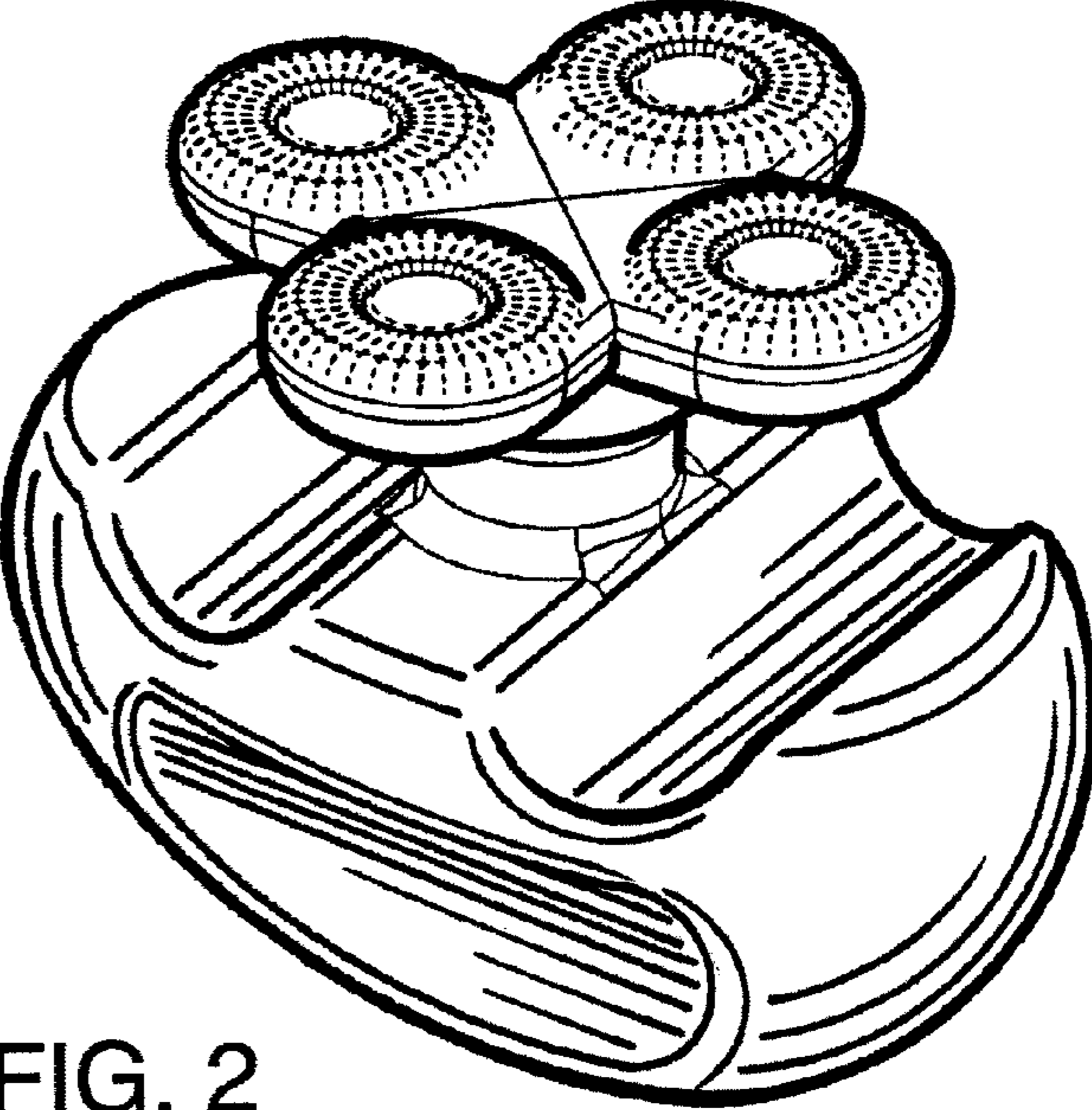


FIG. 2

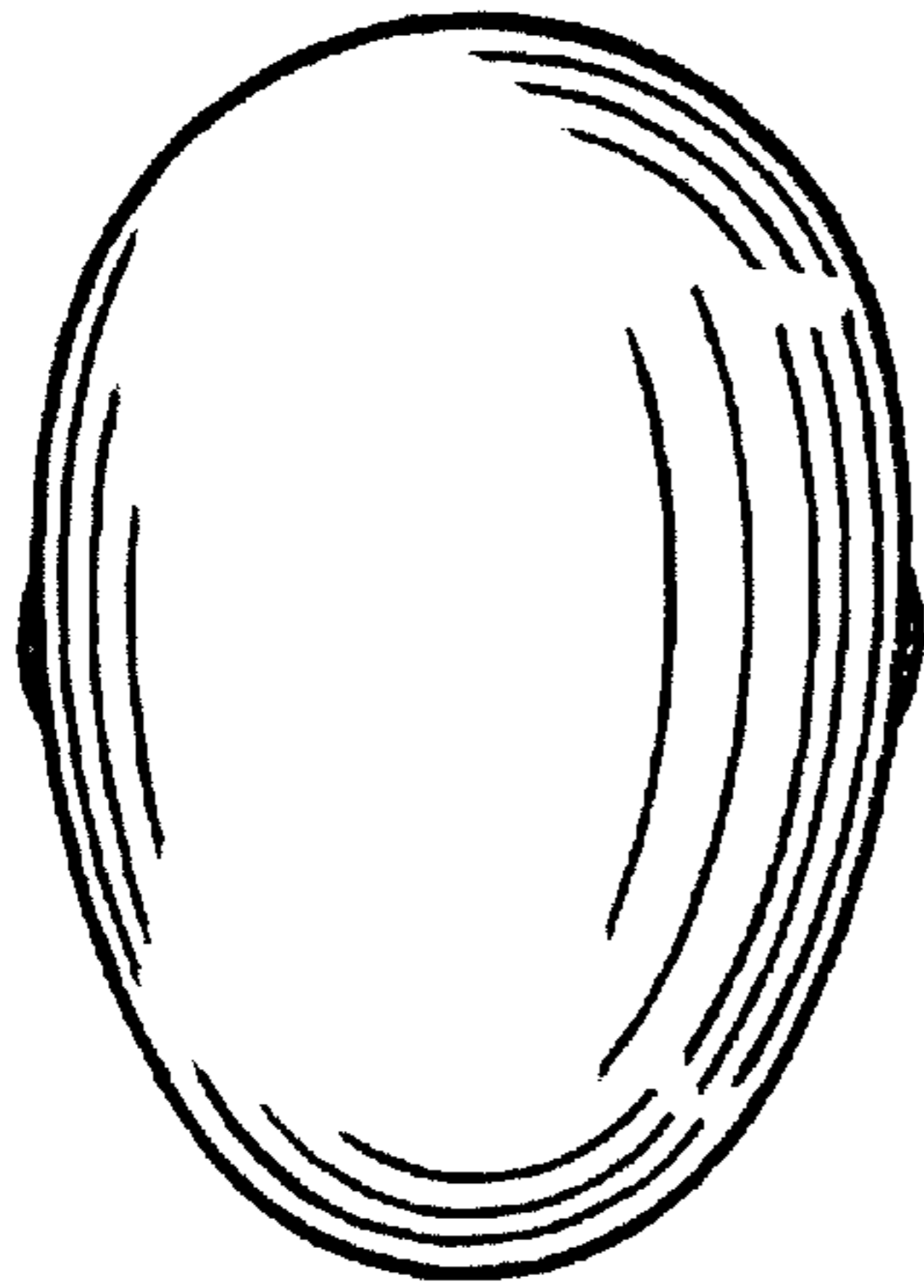


FIG. 3

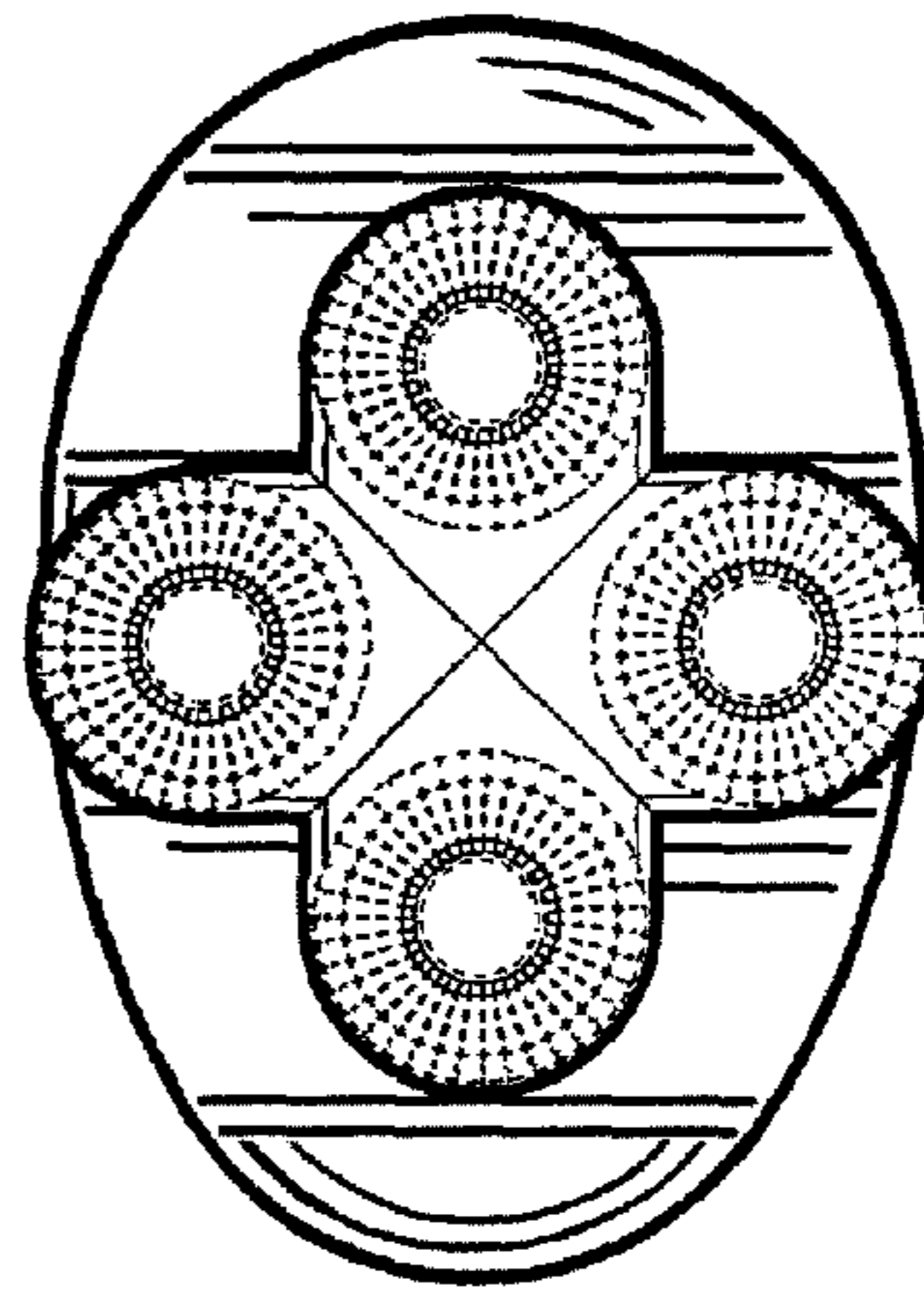


FIG. 4

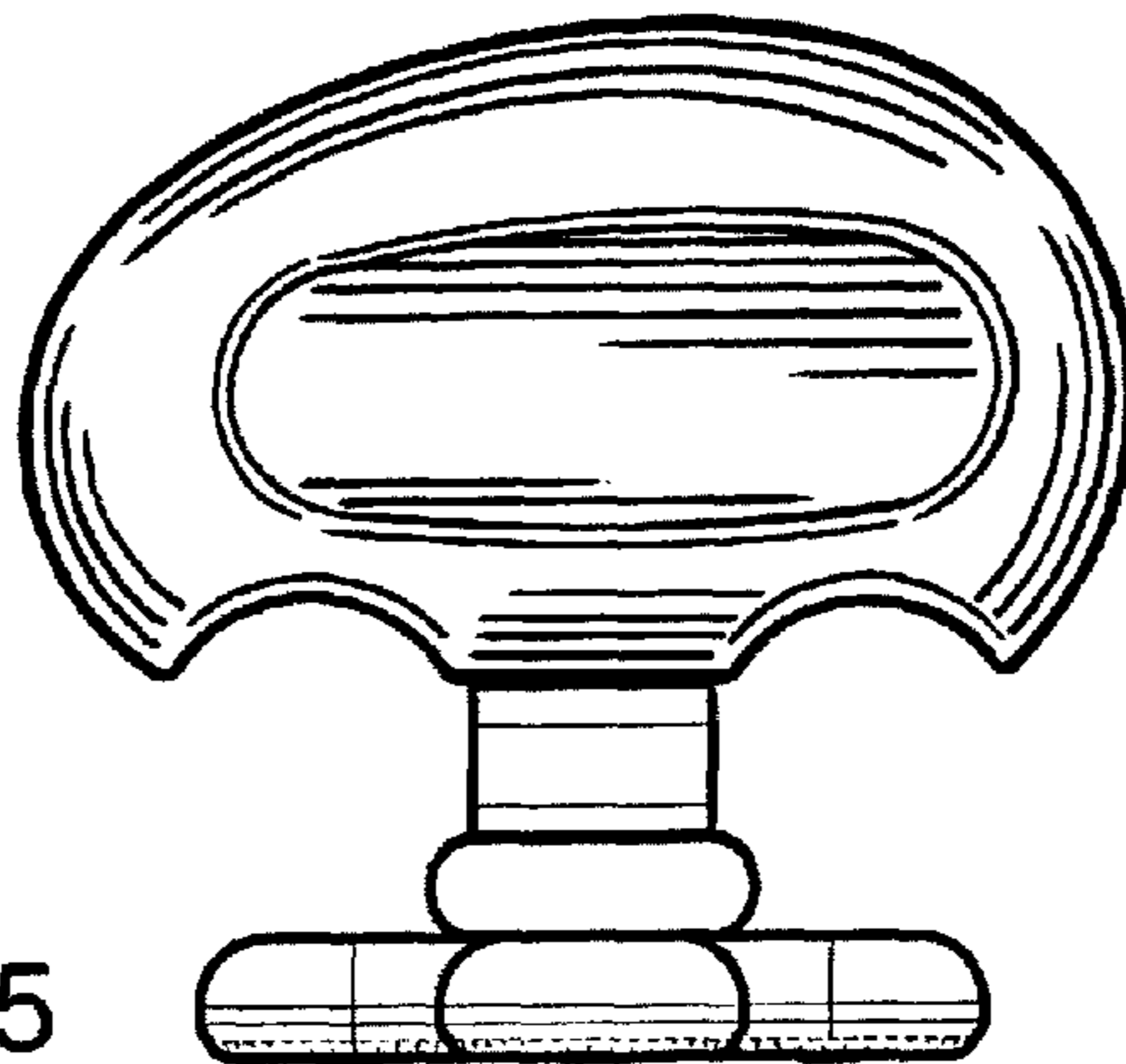


FIG. 5

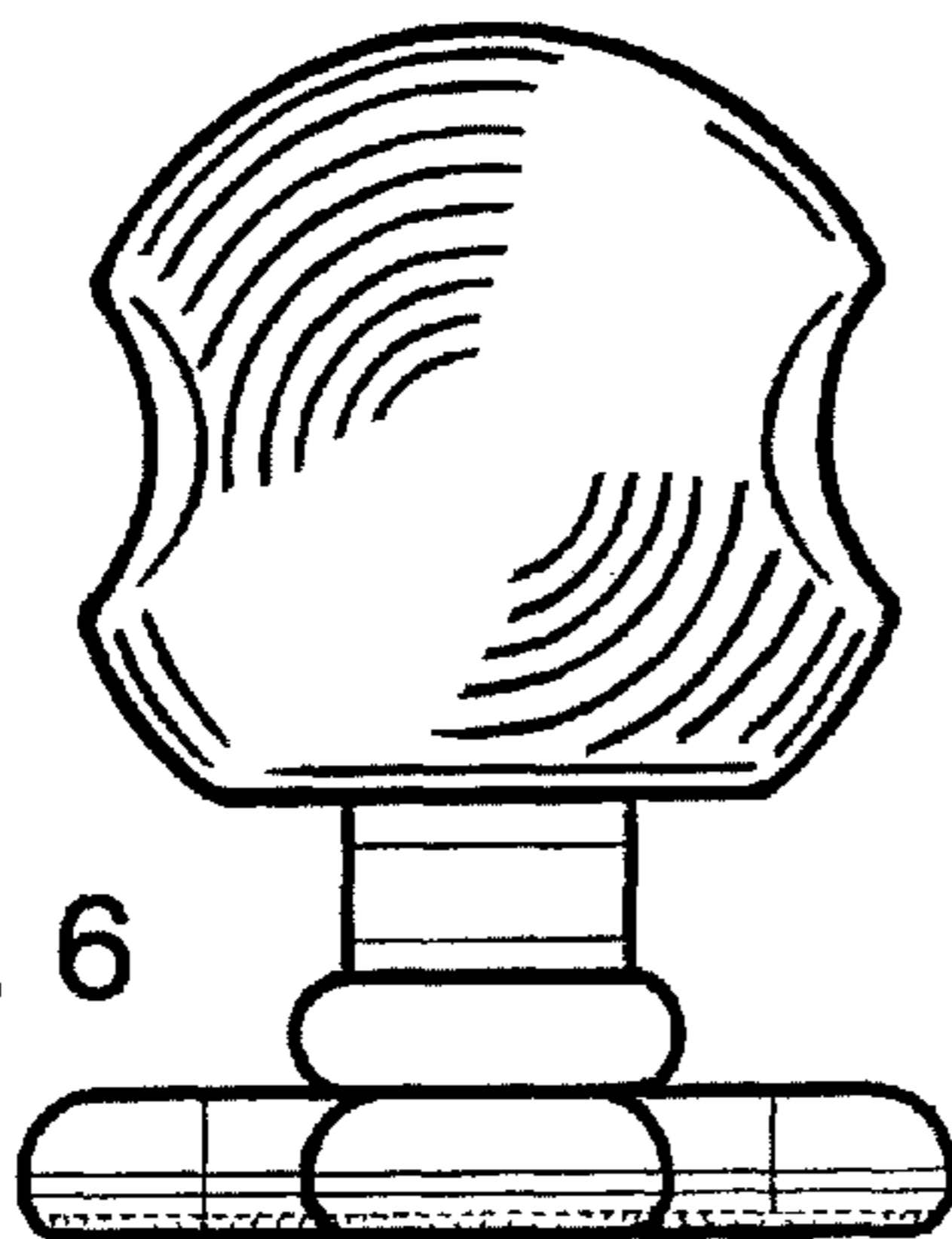


FIG. 6

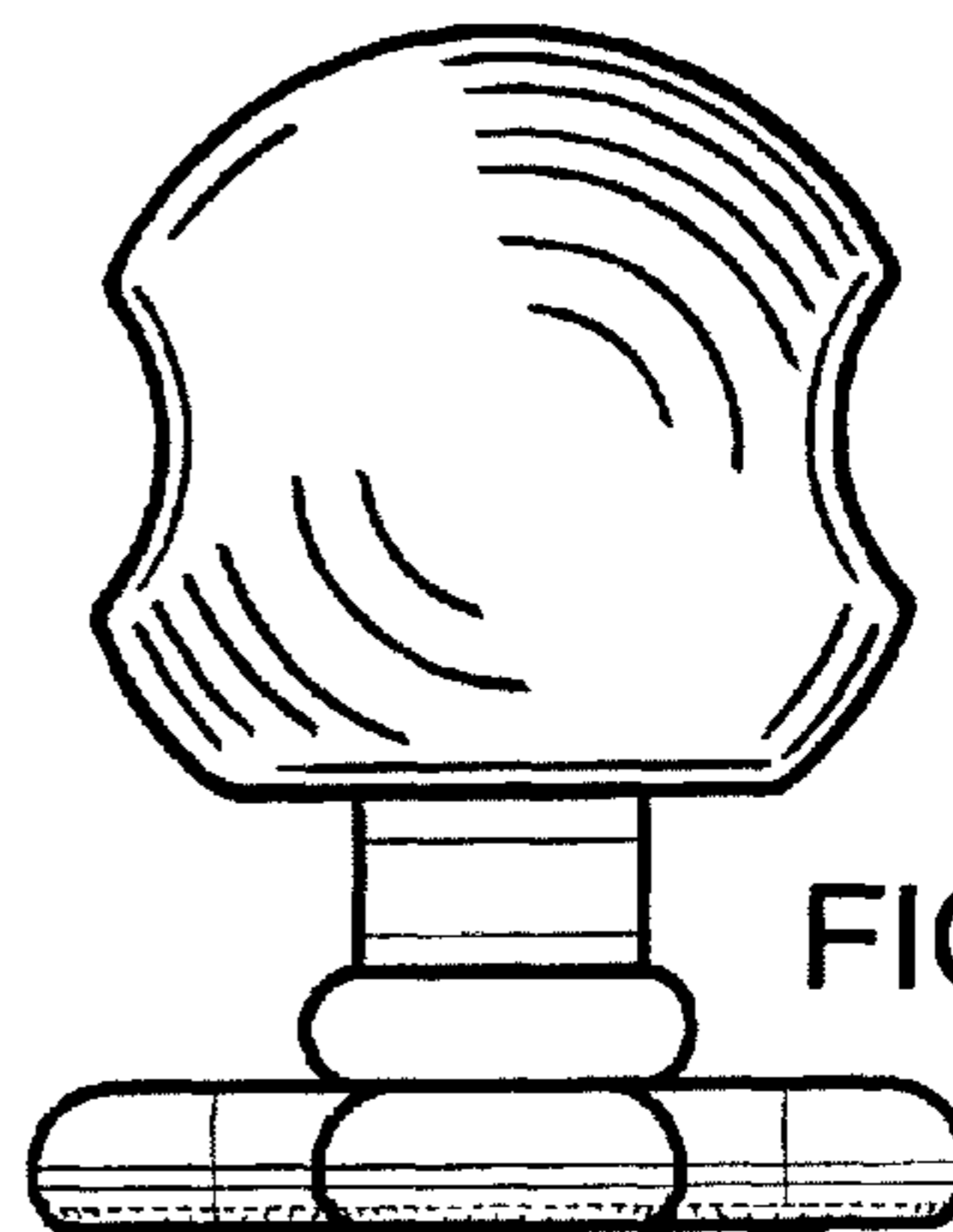


FIG. 7