



US00D693059S

(12) **United States Design Patent**  
**Tani**

(10) **Patent No.:** **US D693,059 S**

(45) **Date of Patent:** **\*\* Nov. 5, 2013**

(54) **COSMETIC APPLICATOR**

(71) Applicant: **Tokiwa Corporation**, Nakatsugawa (JP)

(72) Inventor: **Yoshikazu Tani**, Kawaguchi (JP)

(73) Assignee: **Tokiwa Corporation**, Nakatsugawa-Shi,  
Gifu (JP)

(\*\*) Term: **14 Years**

(21) Appl. No.: **29/441,167**

(22) Filed: **Jan. 2, 2013**

(30) **Foreign Application Priority Data**

Jul. 10, 2012 (JP) ..... 2012-016372

(51) **LOC (9) Cl.** ..... **28-02**

(52) **U.S. Cl.**  
USPC ..... **D28/7**

(58) **Field of Classification Search**  
USPC ..... D28/7, 8, 20-22, 30-31, 76, 85, 99;  
132/108, 202, 208, 317.32;  
401/202-207, 261-267; D4/132-135;  
D24/119; D19/55  
See application file for complete search history.

(56) **References Cited**

**U.S. PATENT DOCUMENTS**

D194,412 S *	1/1963	Grube	.....	D19/55
3,411,854 A *	11/1968	Rosler et al.	.....	401/227
3,423,157 A *	1/1969	Rigondaud	.....	401/242
D254,913 S *	5/1980	Ito	.....	D19/55
4,887,924 A *	12/1989	Green	.....	401/261
5,879,095 A *	3/1999	Gueret	.....	401/172

D475,408 S *	6/2003	Mittersinker	.....	D19/55
6,773,194 B2	8/2004	Libman et al.		
D555,831 S	11/2007	Chan		
7,785,026 B2	8/2010	Eng et al.		
7,878,728 B2	2/2011	Nasu et al.		
D653,805 S	2/2012	Tani		
8,328,449 B2 *	12/2012	Wightman et al.	.....	401/174
2003/0231924 A1	12/2003	Libman et al.		
2005/0047848 A1	3/2005	Carraher		
2006/0198686 A1	9/2006	Hetzel		
2007/0116509 A1	5/2007	Lin		

\* cited by examiner

*Primary Examiner* — Zenia Bennett

(74) *Attorney, Agent, or Firm* — Bacon & Thomas, PLLC

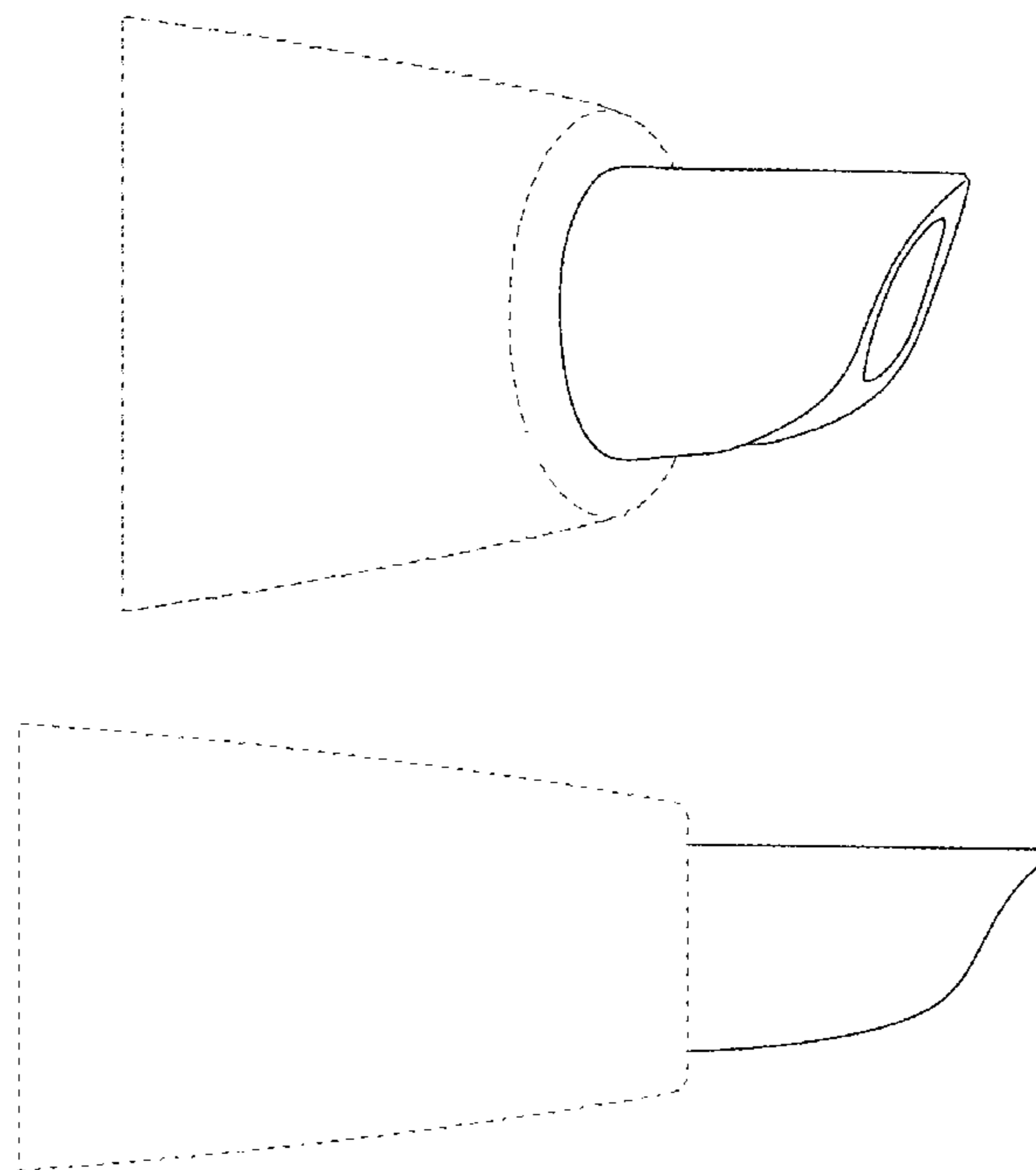
(57) **CLAIM**

The ornamental design for a cosmetic applicator, as shown and described.

**DESCRIPTION**

FIG. 1 is a front view of a cosmetic applicator showing my new design;  
FIG. 2 is a rear view thereof;  
FIG. 3 is a plan view thereof;  
FIG. 4 is a bottom view thereof;  
FIG. 5 is a right side view thereof;  
FIG. 6 is a left side view thereof;  
FIG. 7 is a cross-sectional view thereof taken along the line 7-7 in FIG. 3;  
FIG. 8 is an enlarged perspective view thereof;  
FIG. 9 is an enlarged view thereof; and,  
FIG. 10 is a perspective view thereof showing a state of use.  
The broken lines are shown for illustrative purposes only and do not form any portions of the claimed design.

**1 Claim, 5 Drawing Sheets**



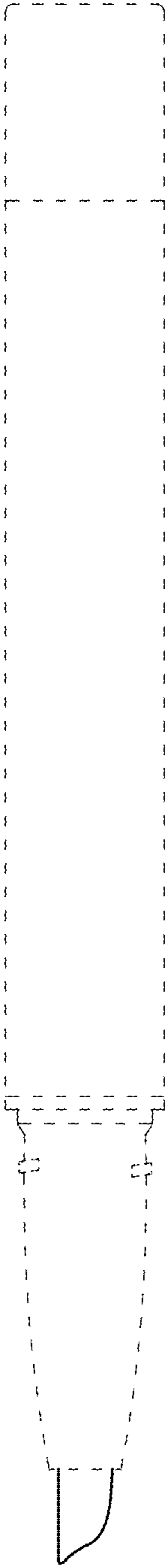


FIG. 1

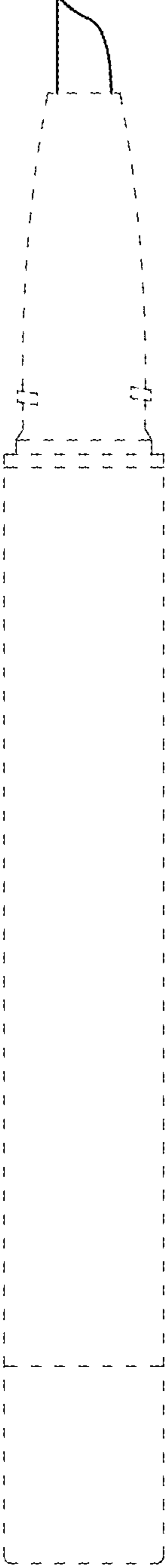


FIG. 2

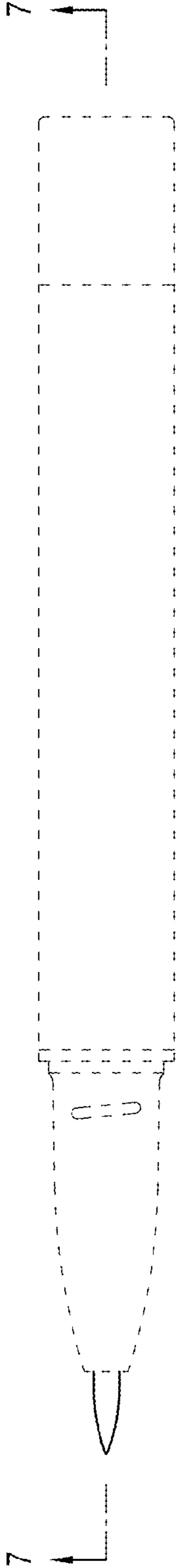


FIG. 3

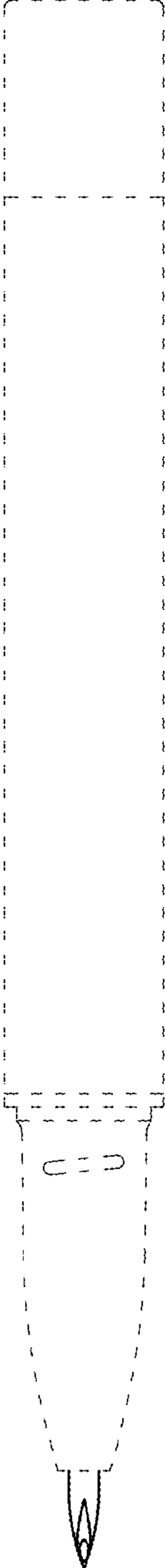


FIG. 4

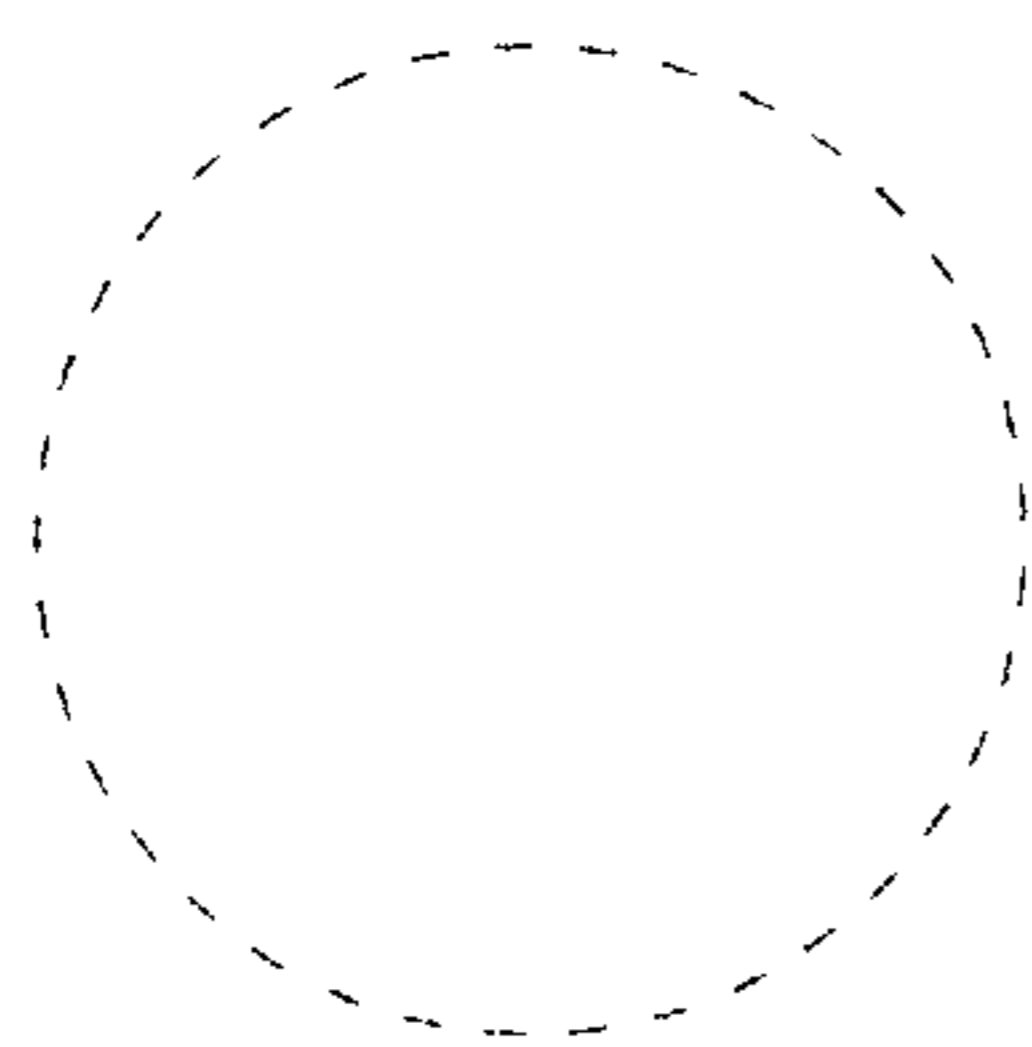


FIG. 5

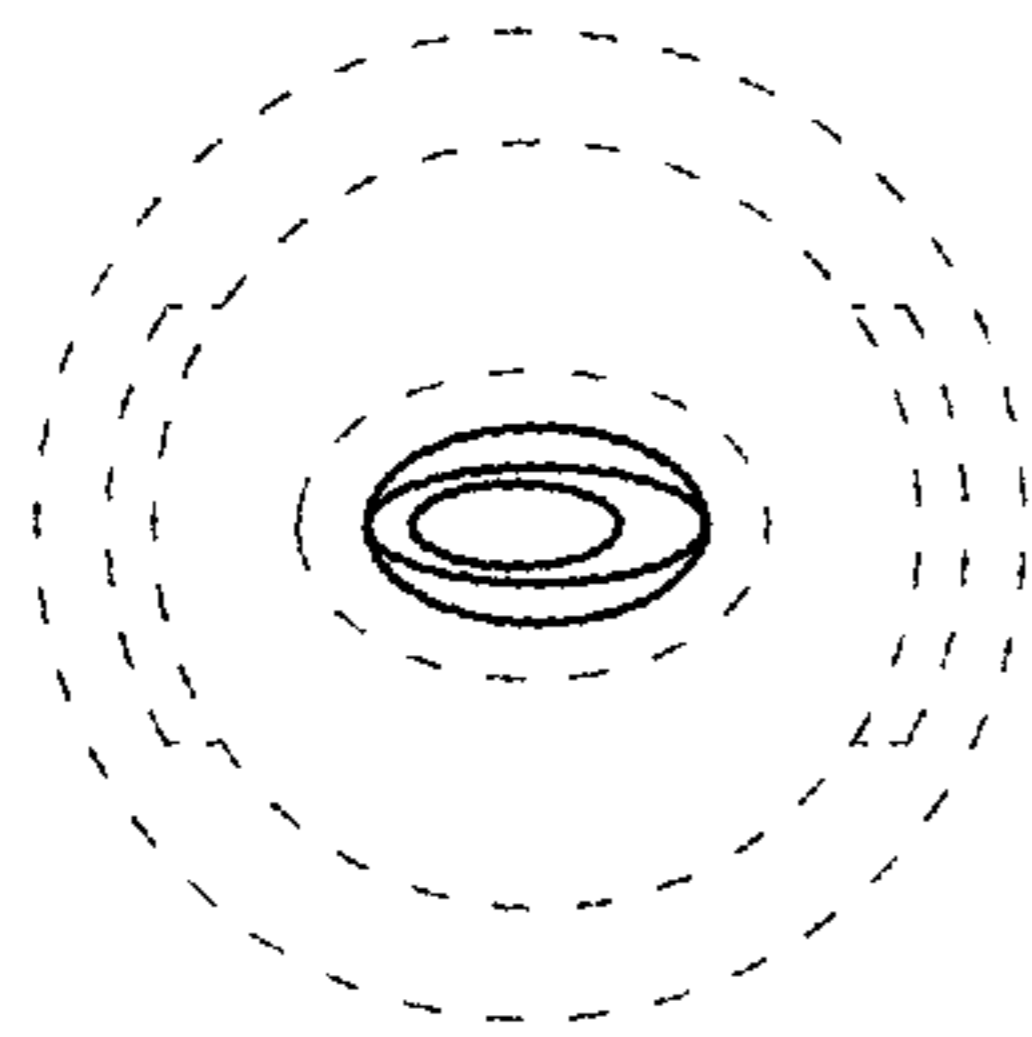


FIG. 6

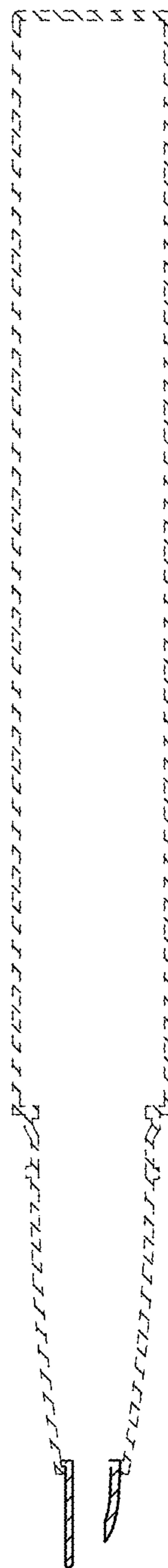


FIG. 7

FIG. 8

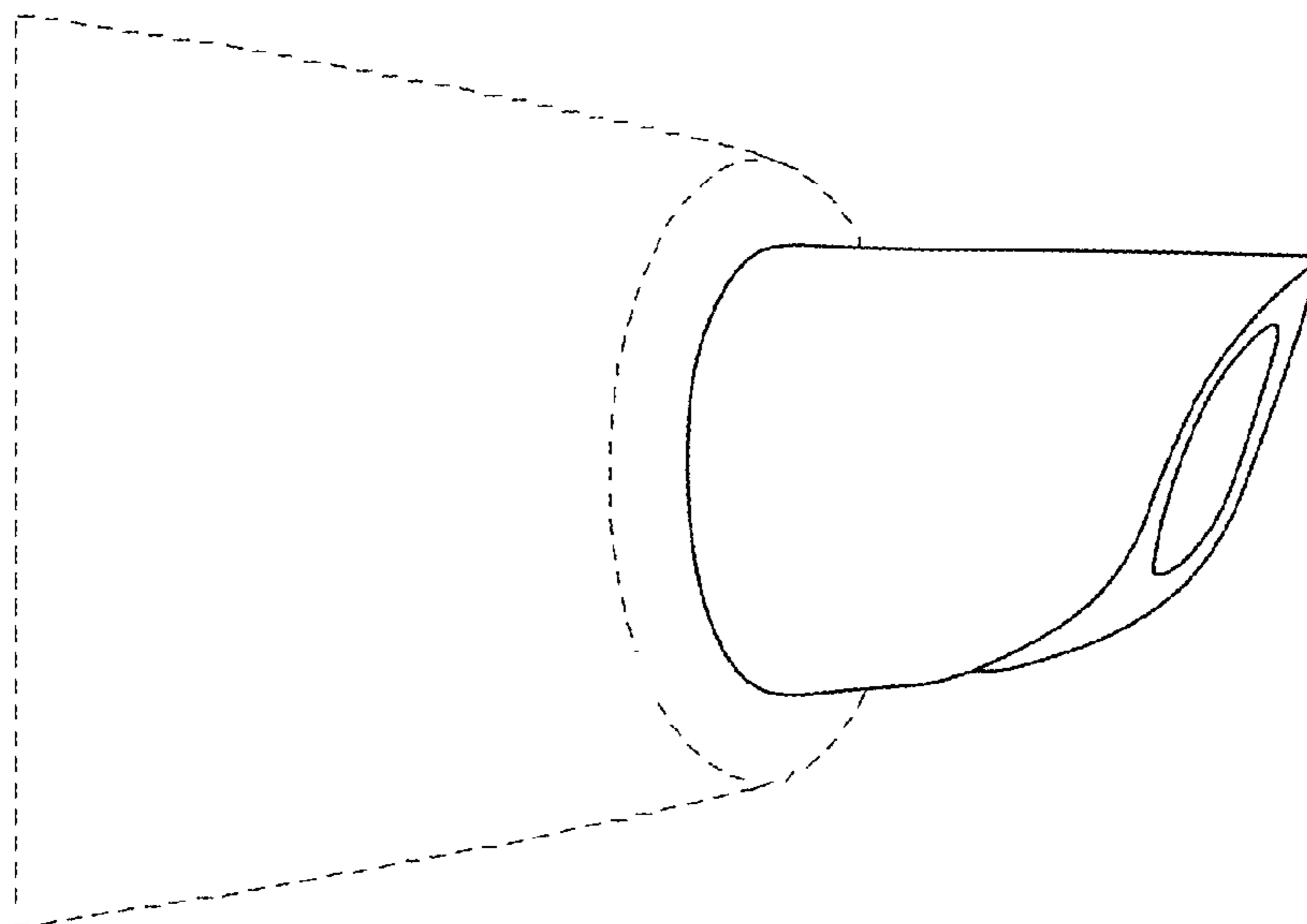
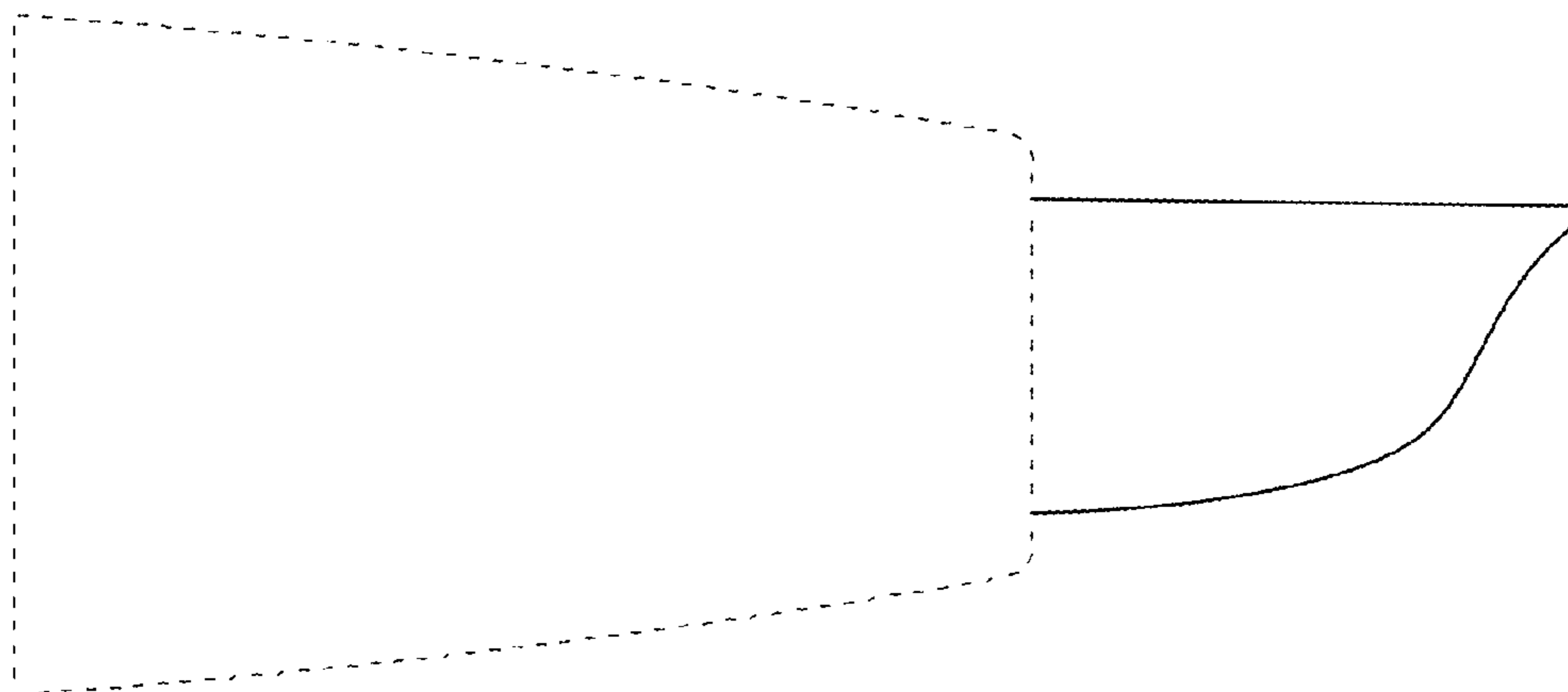


FIG. 9



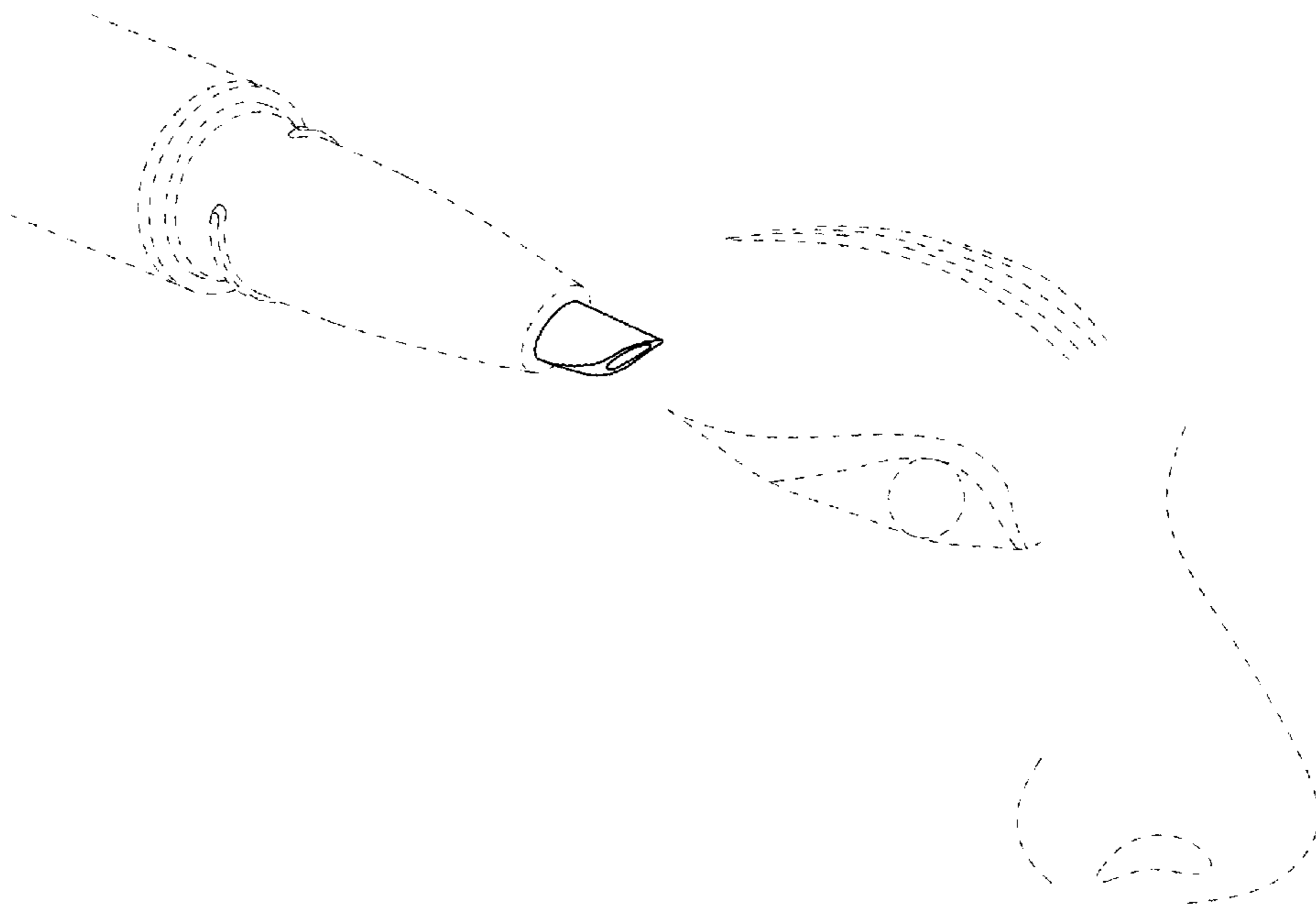


FIG. 10