



US00D693055S

(12) **United States Design Patent**  
**Manca et al.**

(10) **Patent No.:** **US D693,055 S**  
(45) **Date of Patent:** **\*\* Nov. 5, 2013**

(54) **CHARGING UNIT ASSEMBLY**

(75) Inventors: **Laurent Manca**, Grandvaux (CH);  
**Aaron Abroff**, Acton, MA (US)

(73) Assignee: **Philip Morris Products S.A.**, Neuchatel (CH)

(\*\*) Term: **14 Years**

(21) Appl. No.: **29/429,388**

(22) Filed: **Aug. 10, 2012**

(30) **Foreign Application Priority Data**

Feb. 13, 2012 (EP) ..... 001314082-0001  
Feb. 13, 2012 (EP) ..... 001314082-0002  
Feb. 13, 2012 (EP) ..... 001314082-0003

(51) **LOC (9) Cl.** ..... **27-06**

(52) **U.S. Cl.**  
USPC ..... **D27/189**

(58) **Field of Classification Search**  
USPC ..... D27/100, 101, 103-105, 108, 125, 141,  
D27/157, 159, 163-165, 170, 172, 174-176,  
D27/183-194; D34/2; 206/242-276; D3/11,  
D3/215, 220, 226-230, 265, 266, 294, 315,  
D3/321, 281; 4/258, 259, 267, 271, 283;  
131/270-273, 329, 330, 194, 189, 347,  
131/360-365; D24/110, 113; D19/77, 81,  
D19/84; D28/73-77, 83, 85; D9/702, 710,  
D9/423, 721, 414, 420, 737, 751, 456,  
D9/686; D14/138 AA, 138 AD; D13/108  
See application file for complete search history.

(56) **References Cited**

**U.S. PATENT DOCUMENTS**

D142,840 S \* 11/1945 Cutrow ..... D27/159  
D143,295 S \* 12/1945 Fisher ..... D27/159

(Continued)

**FOREIGN PATENT DOCUMENTS**

EP 1536703 9/2006  
WO WO2008113420 9/2008  
WO WO2009079641 6/2009

*Primary Examiner* — Susan Bennett Hattan

*Assistant Examiner* — Janice Hallmark

(74) *Attorney, Agent, or Firm* — Oblon, Spivak,  
McClelland, Maier & Neustadt, L.L.P.

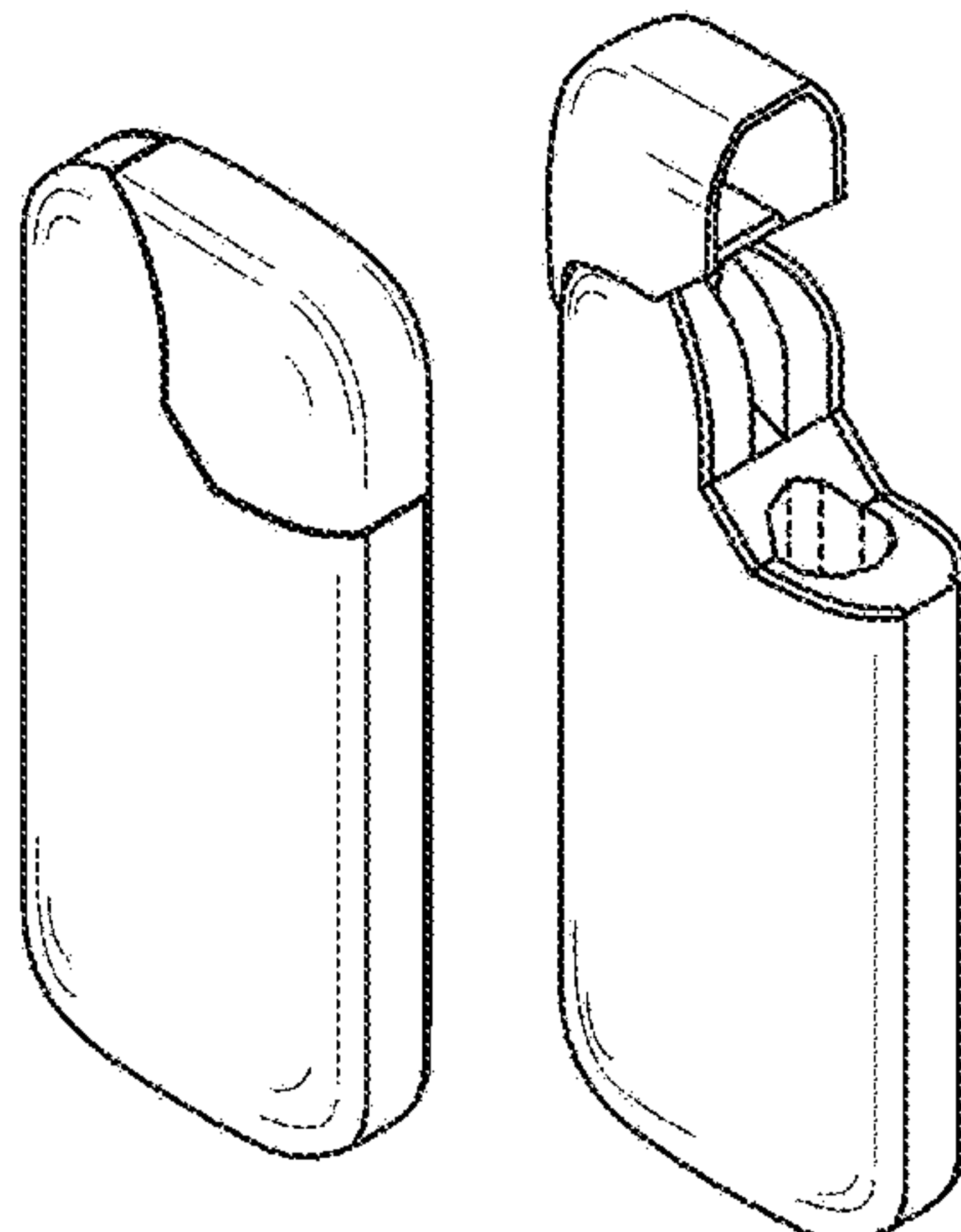
(57) **CLAIM**

The ornamental design for a charging unit assembly, as shown and described.

**DESCRIPTION**

FIG. 1 is a perspective view of a charging unit assembly showing the front, top, and right side of our new design in a closed position as viewed from the right side of the page; FIG. 2 is a side elevational view of one side thereof; FIG. 3 is a side elevational view of the opposite side thereof; FIG. 4 is a rear elevational view thereof; FIG. 5 is a front elevational view thereof; FIG. 6 is a top elevational view thereof; FIG. 7 is a bottom elevational view thereof; FIG. 8 is a perspective view of a charging unit assembly showing the front, top, and right side of our new design in an open position as viewed from the right side of the page; FIG. 9 is a side elevational view of one side thereof; FIG. 10 is a side elevational view of the opposite side thereof; FIG. 11 is a rear elevational view thereof; FIG. 12 is a front elevational view thereof; FIG. 13 is a top elevational view thereof; FIG. 14 is a bottom elevational view thereof; FIG. 15 is a perspective view of a charging unit assembly showing the front, top, and right side of our new design in an open position and with a removable smoking article inserted therein, as viewed from the right side of the page; FIG. 16 is a side elevational view of one side thereof; FIG. 17 is a side elevational view of the opposite side thereof; FIG. 18 is a rear elevational view thereof; FIG. 19 is a front elevational view thereof; FIG. 20 is a top elevational view thereof; and, FIG. 21 is a bottom elevational view thereof. The broken lines showing in FIGS. 8, 12, 15-17, and 19 depict environmental subject matter and form no part of the claimed design.

**1 Claim, 21 Drawing Sheets**



(56)

**References Cited**

U.S. PATENT DOCUMENTS

D188,507 S *	8/1960	Smith	.....	D27/159	D596,787 S *	7/2009	Hearn	.....	D27/189
D206,898 S *	2/1967	Ensign	.....	D27/159	D613,903 S *	4/2010	Wu et al.	.....	D27/189
D281,281 S *	11/1985	Matalon	.....	D28/5	D624,694 S *	9/2010	Zande	.....	D27/141
D323,292 S *	1/1992	Jones	.....	D9/424	D625,611 S *	10/2010	Higuchi et al.	.....	D9/686
5,388,594 A *	2/1995	Counts et al.	.....	131/329	D642,929 S *	8/2011	Mansau	.....	D9/687
D356,247 S *	3/1995	Manoukian	.....	D9/686	D649,708 S *	11/2011	Oneil	.....	D27/163
5,417,227 A	5/1995	West			D656,094 S *	3/2012	Wu	.....	D13/108
D371,633 S *	7/1996	Chenard	.....	D27/163	D677,001 S *	2/2013	Liu	.....	D27/189
D374,817 S *	10/1996	Bertolini et al.	.....	D9/727	D681,268 S *	4/2013	Wu	.....	D27/189
6,532,965 B1	3/2003	Abhulimen et al.			D681,269 S *	4/2013	Wu	.....	D27/189
D514,741 S *	2/2006	Cohen Harel	.....	D27/157	D683,898 S *	6/2013	Liu	.....	D27/189
D527,140 S *	8/2006	Harel	.....	D27/141	D683,899 S *	6/2013	Liu	.....	D27/189
D548,396 S *	8/2007	Chen	.....	D27/157	2005/0092625 A1 *	5/2005	Brizzi et al.	.....	206/242
					2010/0163063 A1 *	7/2010	Fernando et al.	.....	131/184.1
					2010/0313901 A1 *	12/2010	Fernando et al.	.....	131/330

\* cited by examiner

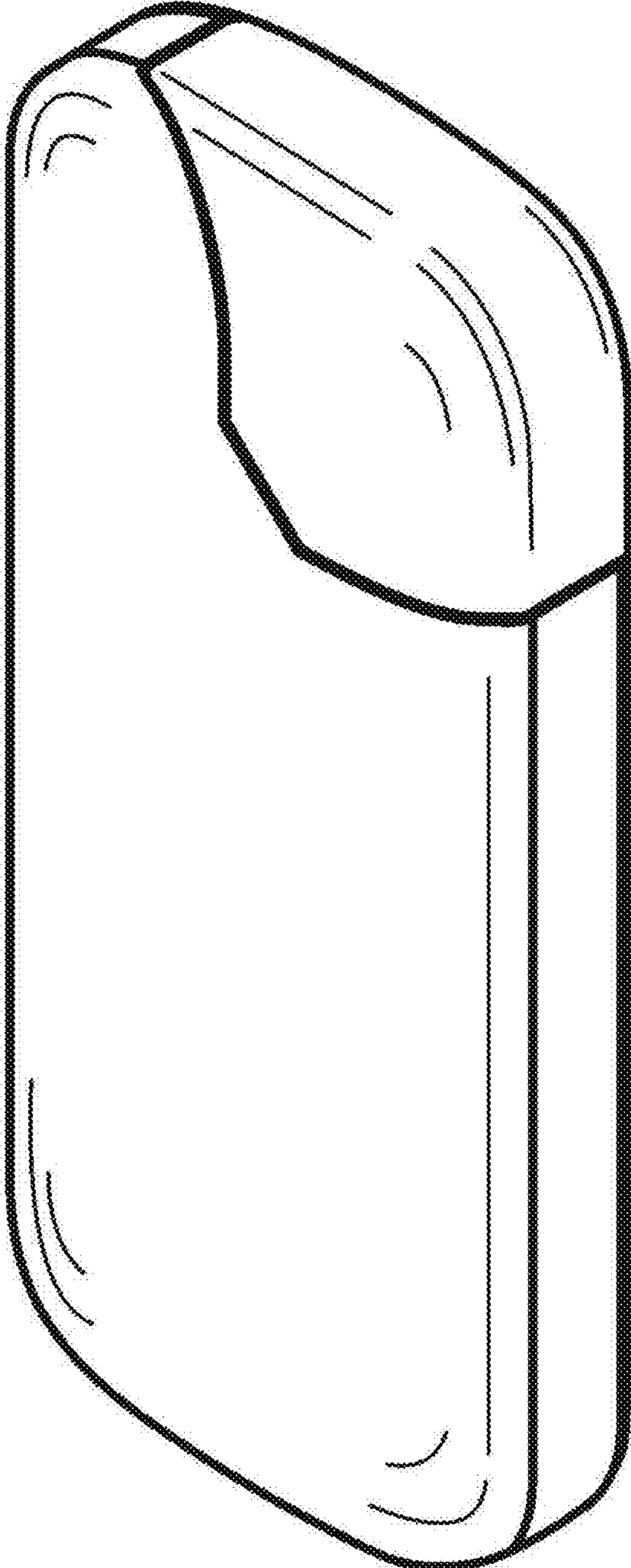


Fig. 1

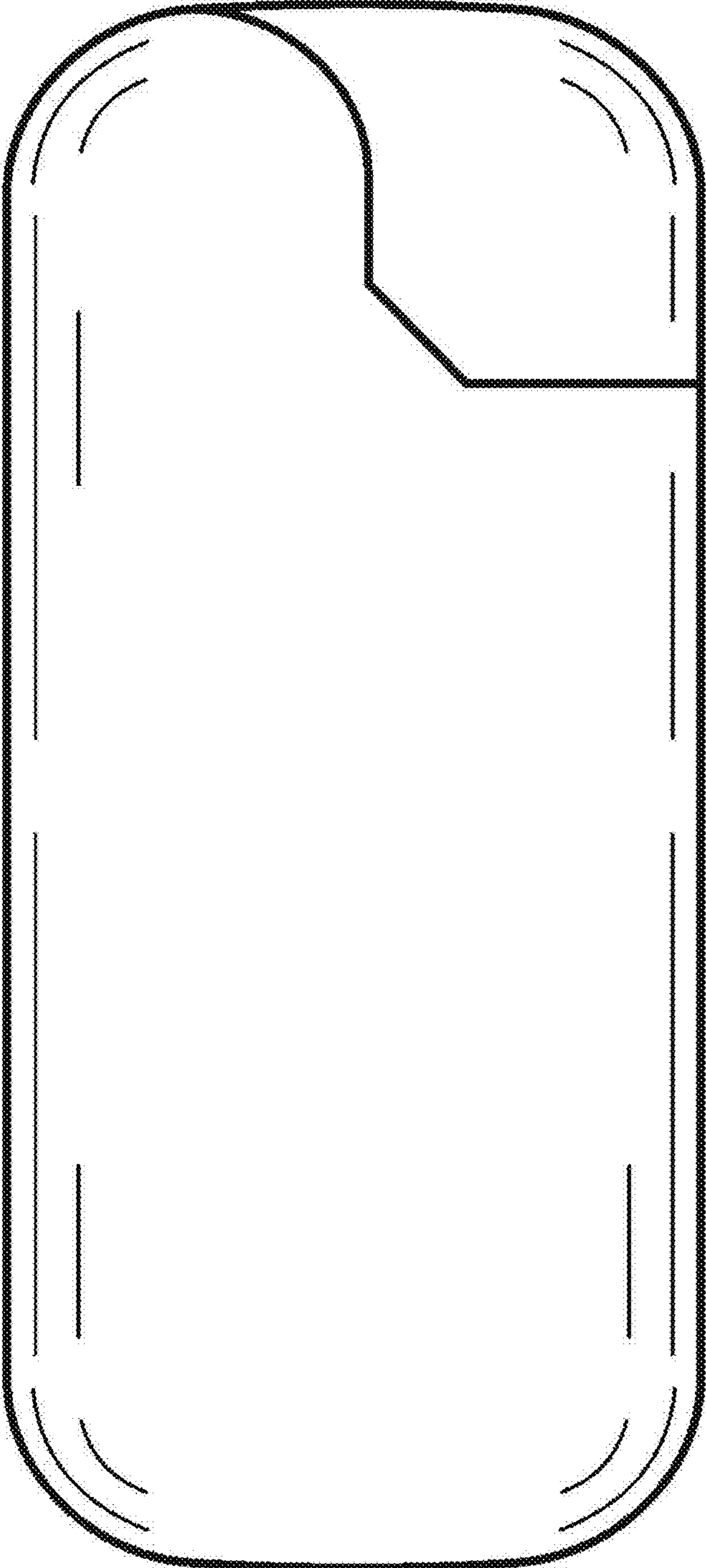


Fig. 2



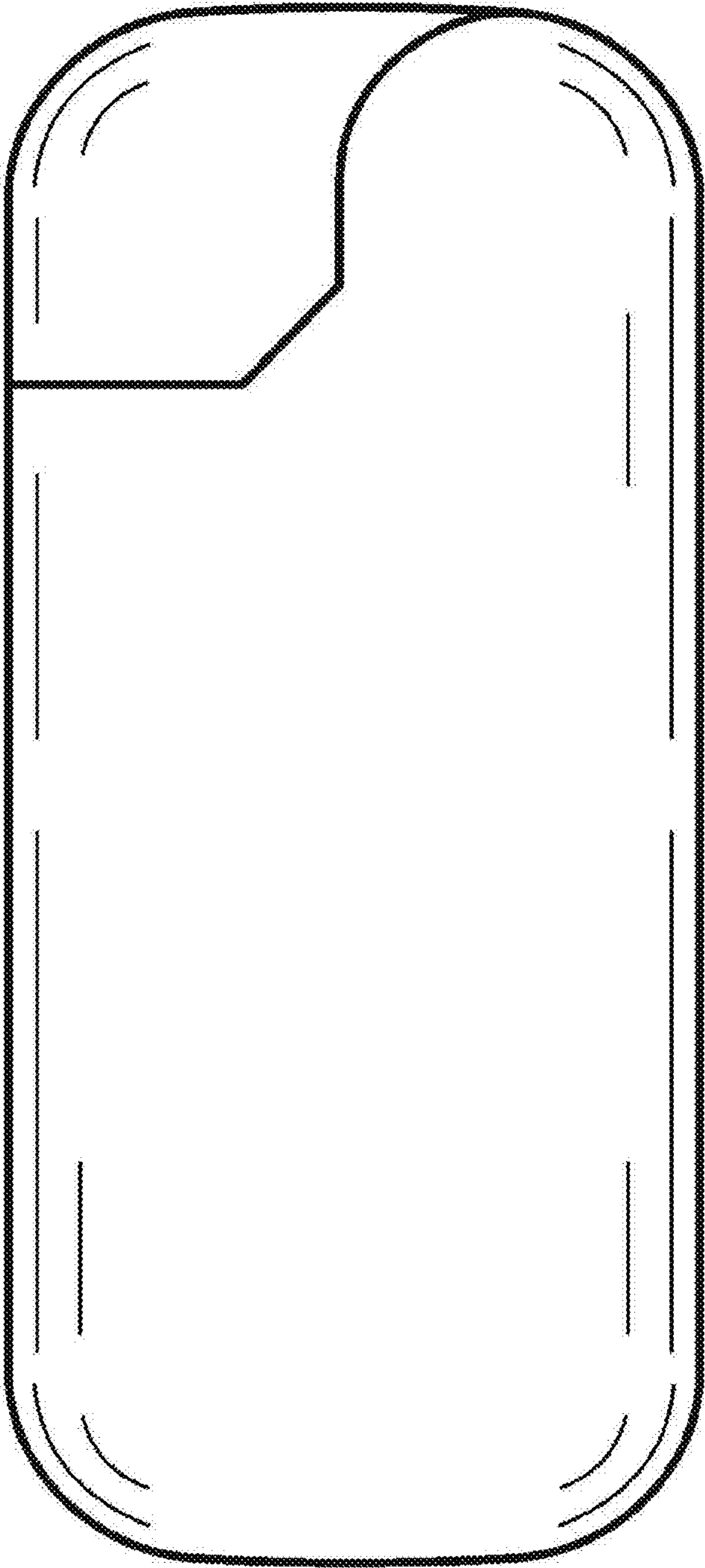


Fig. 3

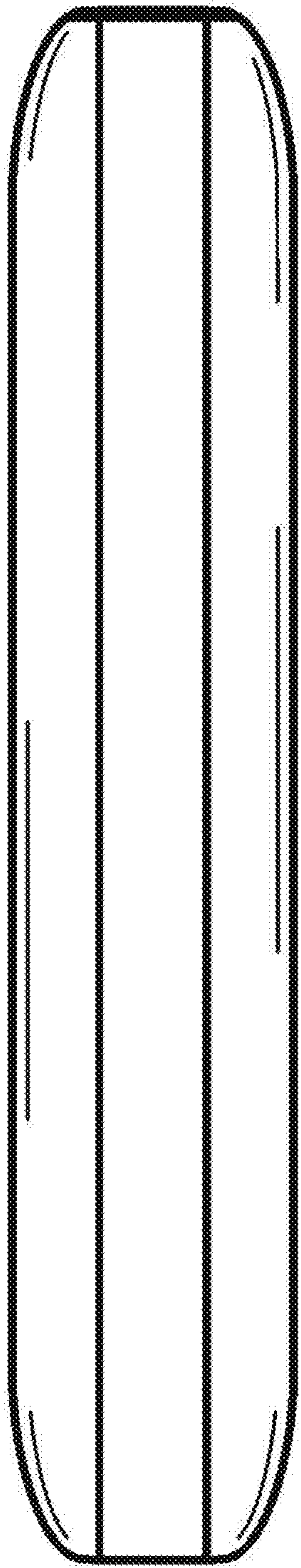


Fig. 4

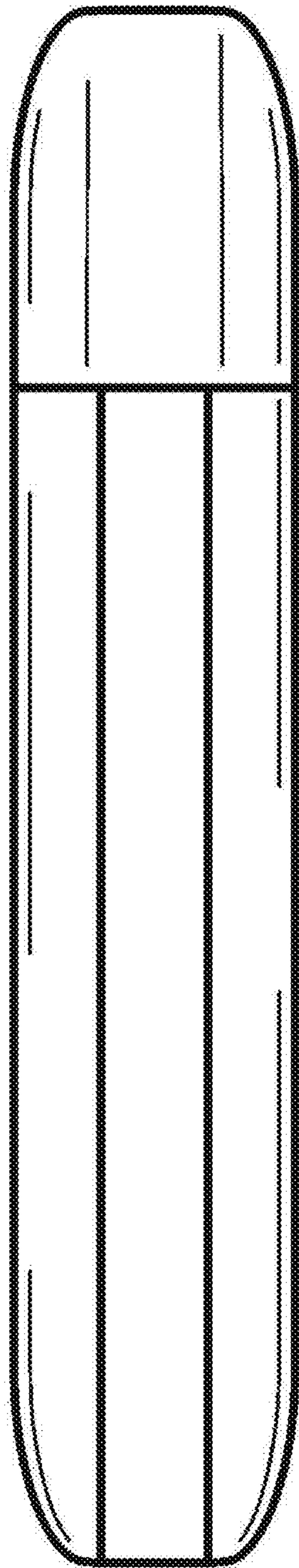


Fig. 5

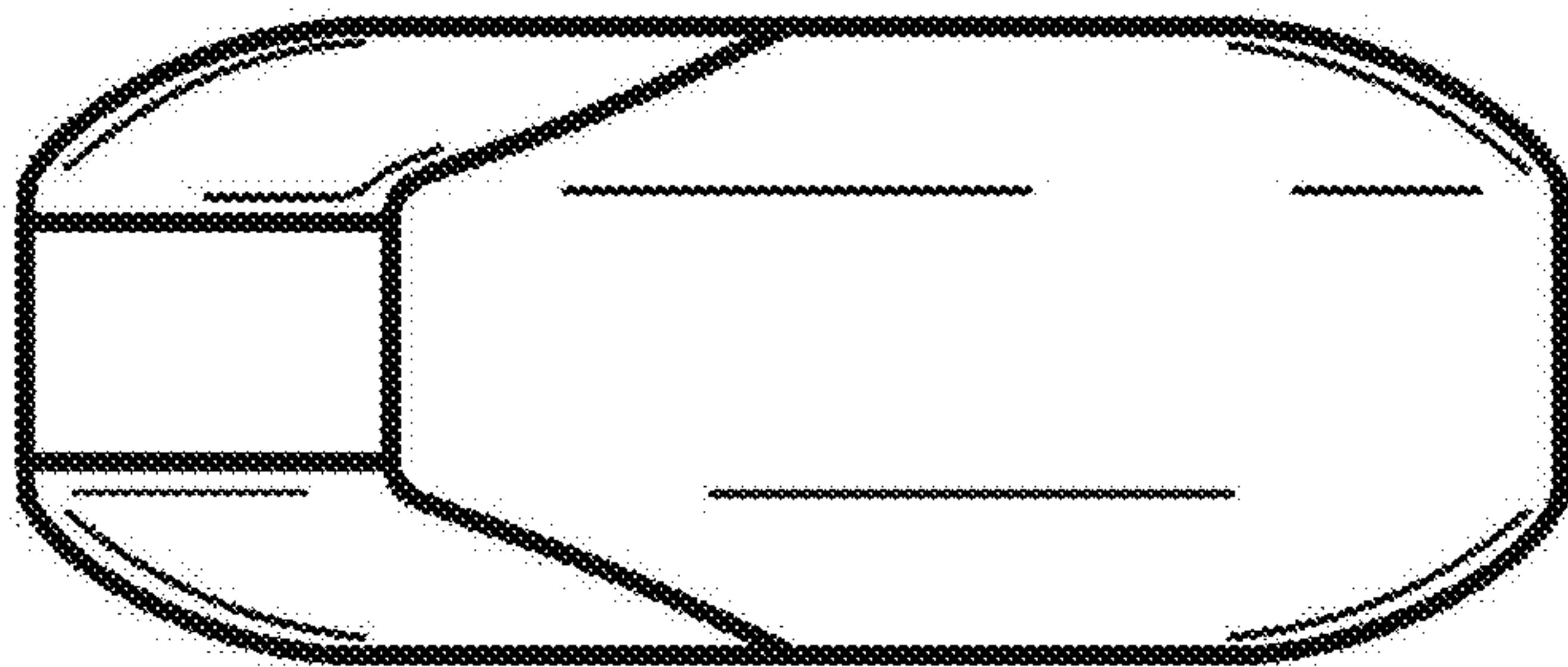


Fig. 6



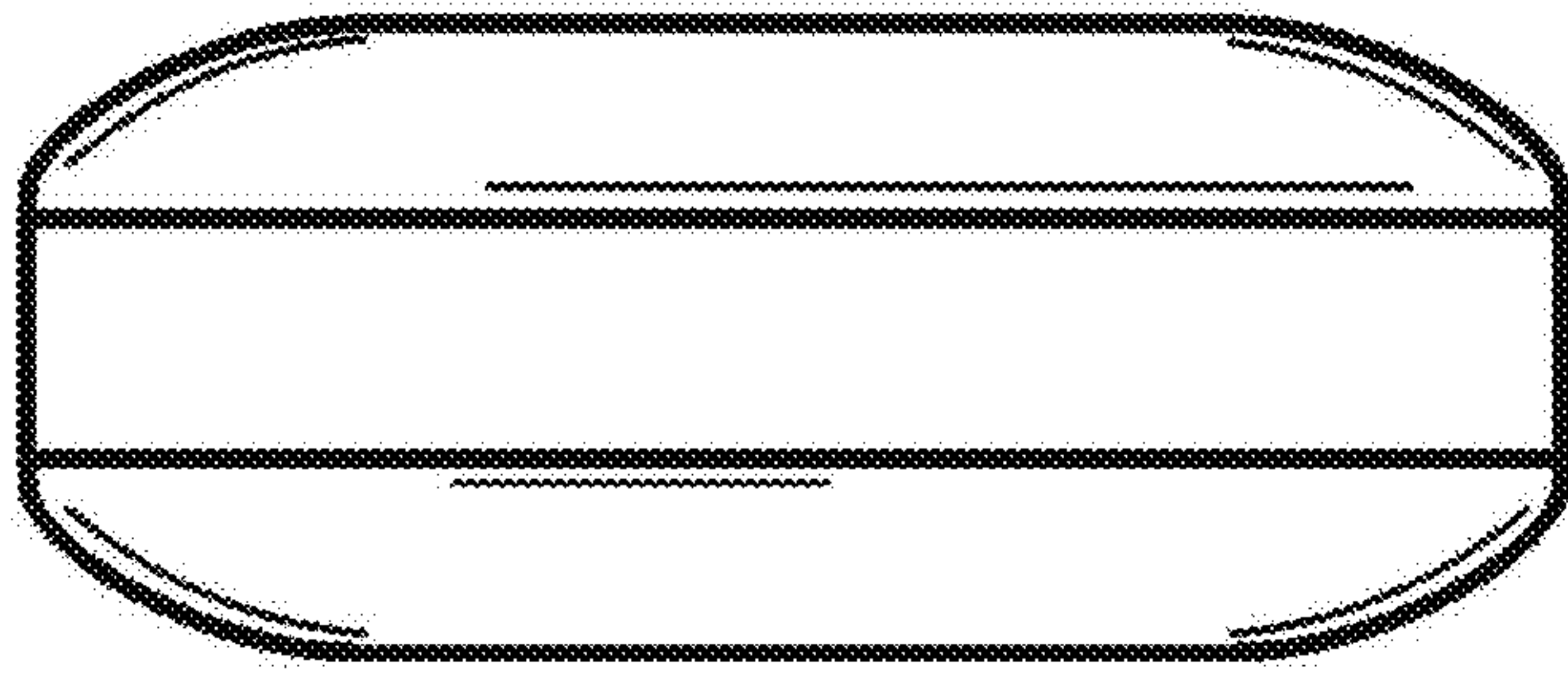


Fig. 7

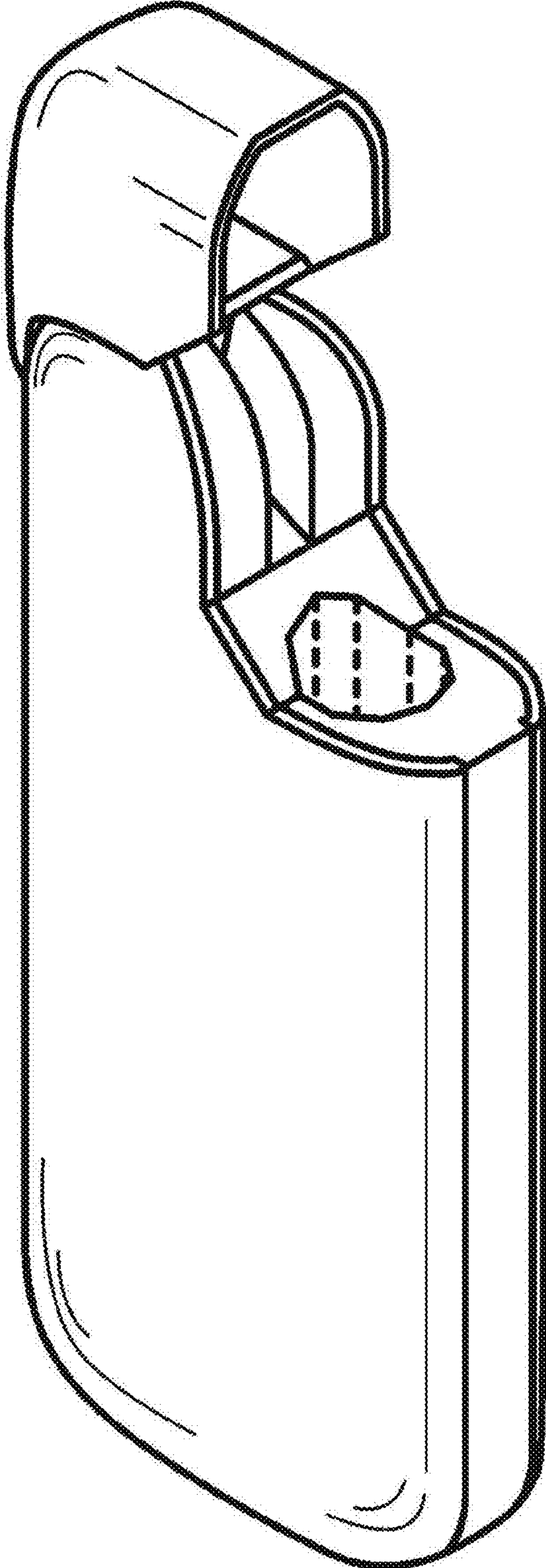


Fig. 8

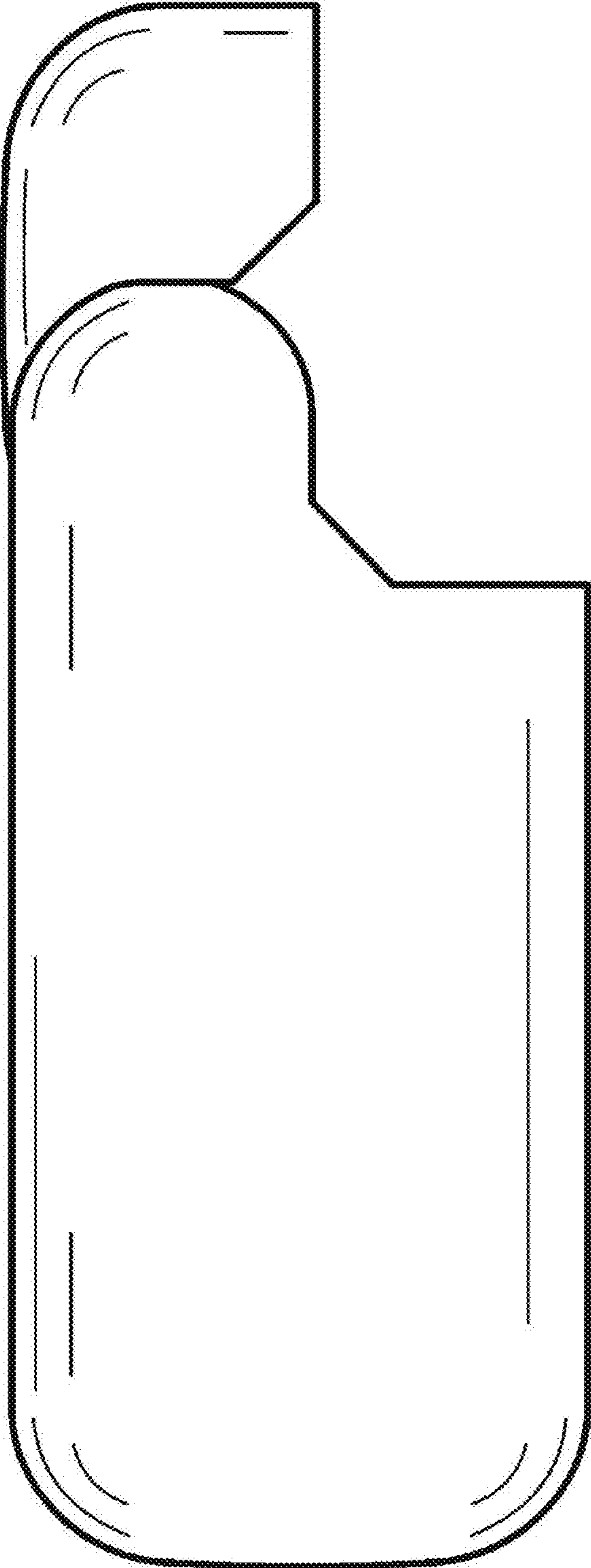


Fig. 9

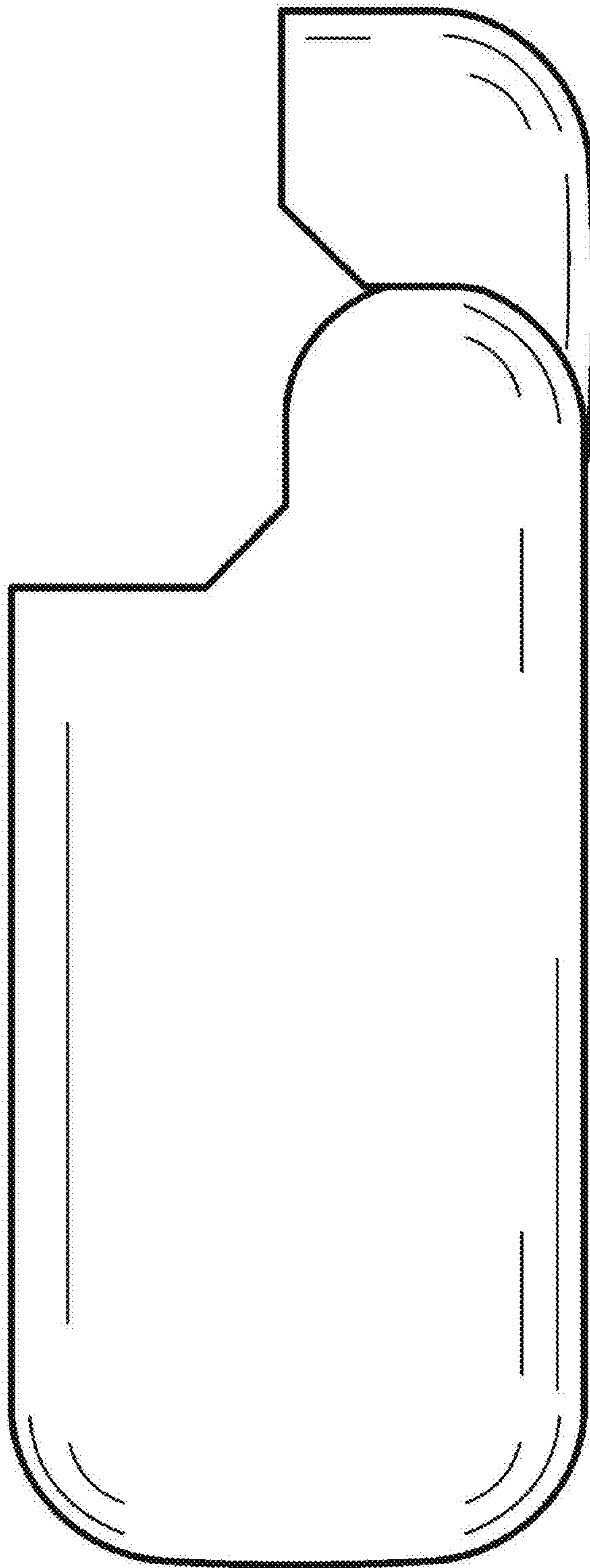


Fig. 10

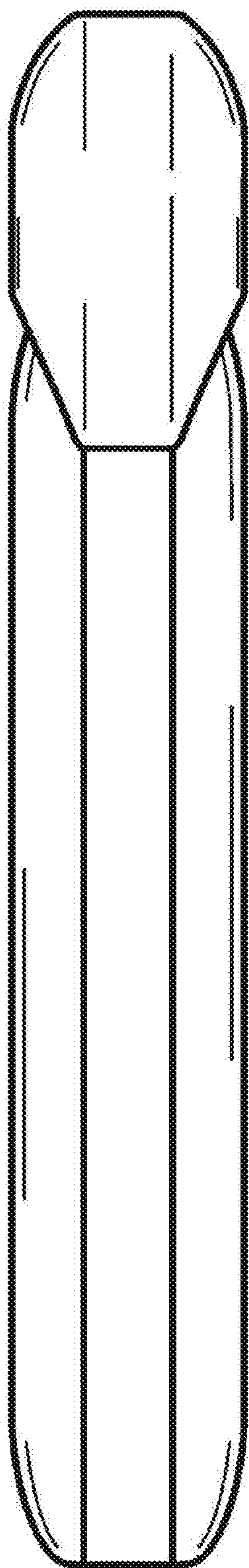


Fig. 11



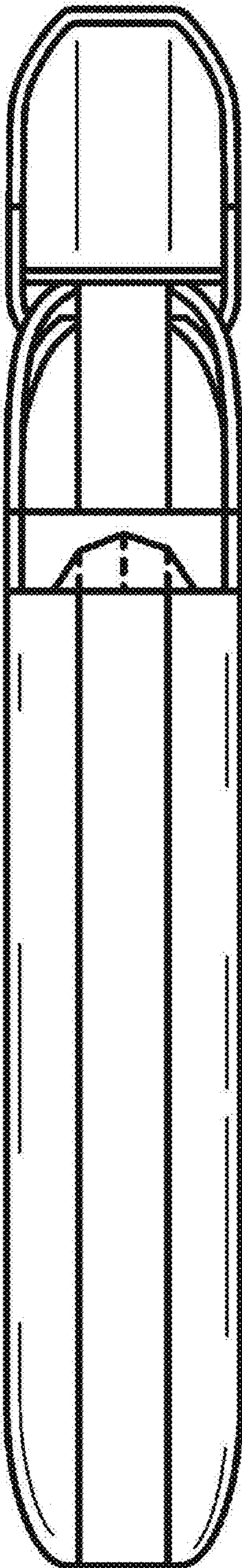


Fig. 12

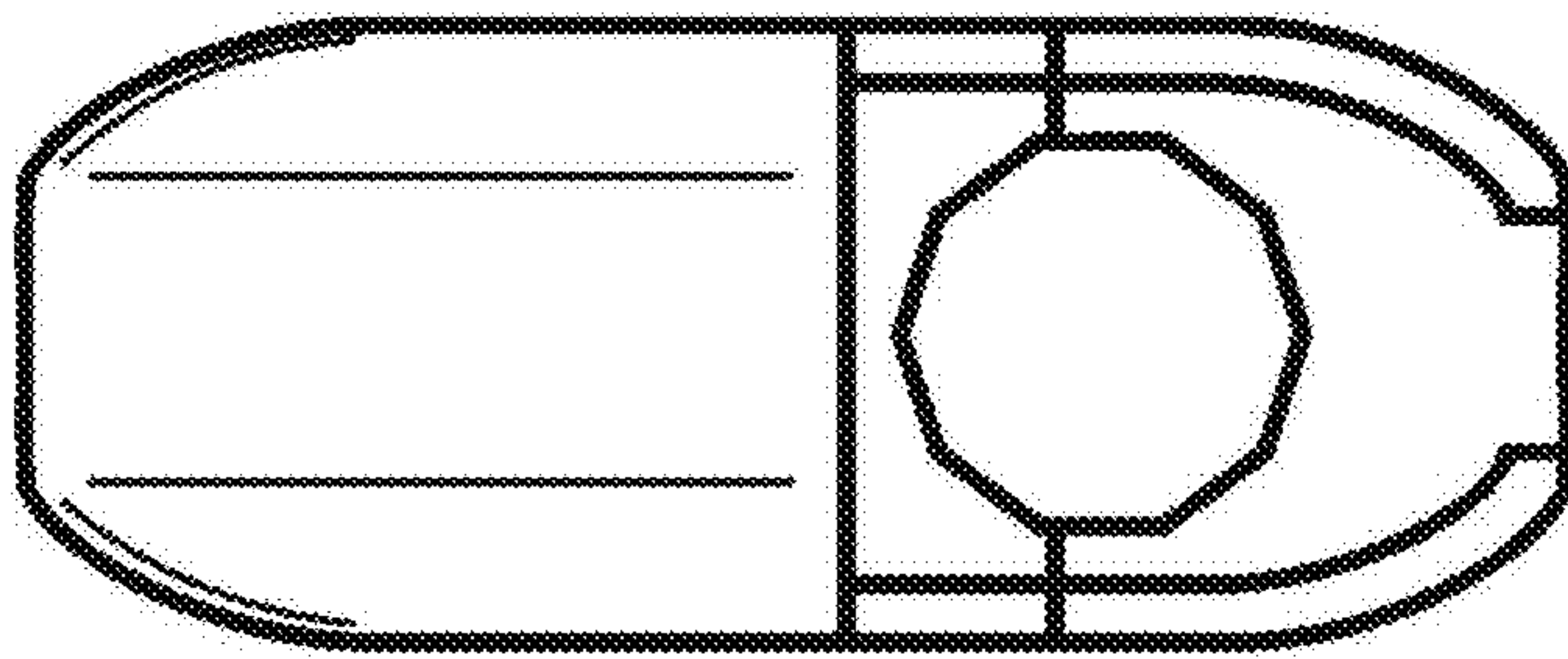


Fig. 13

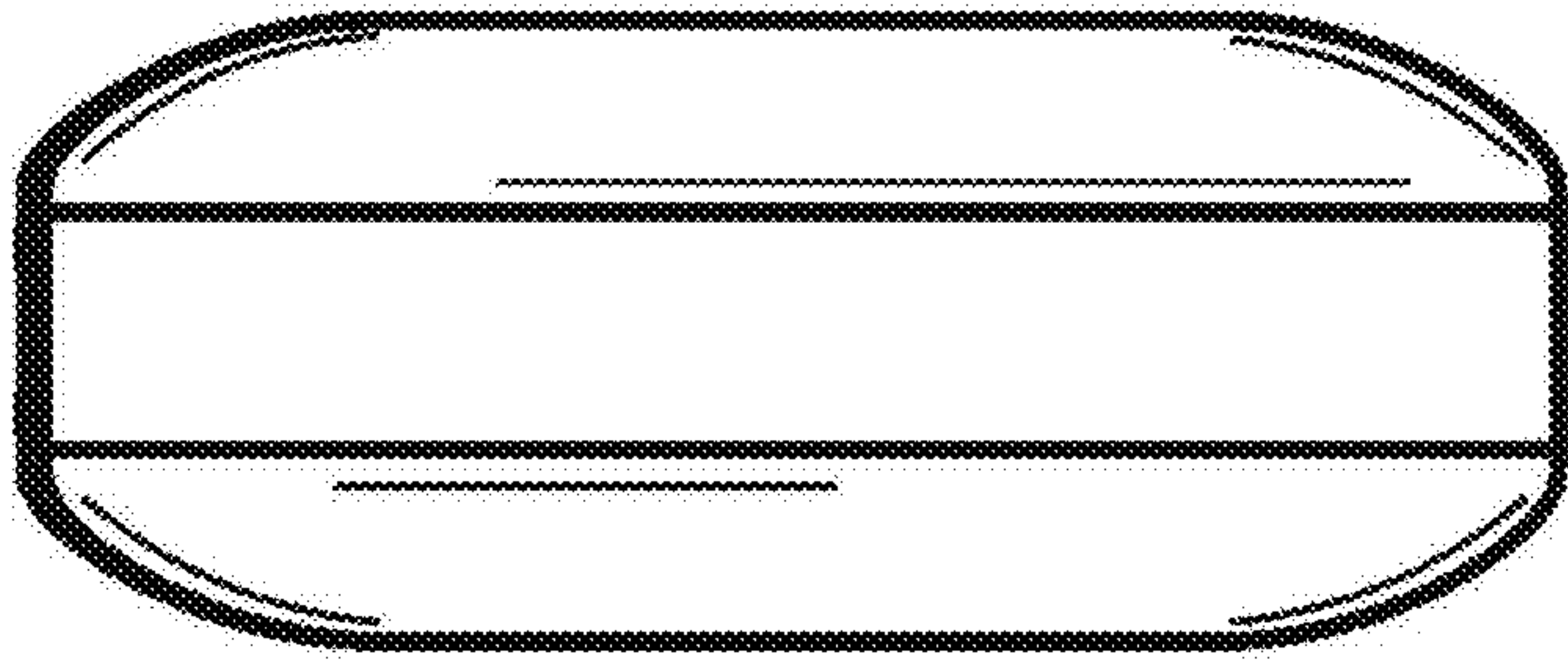


Fig. 14

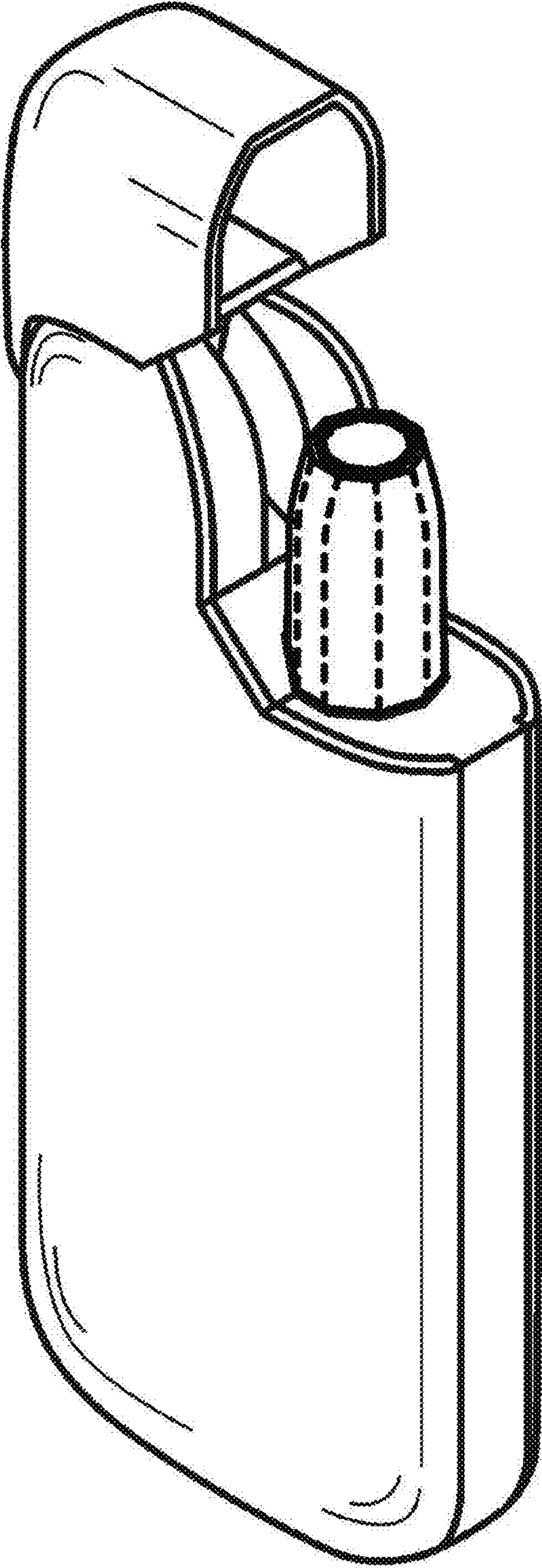


Fig. 15

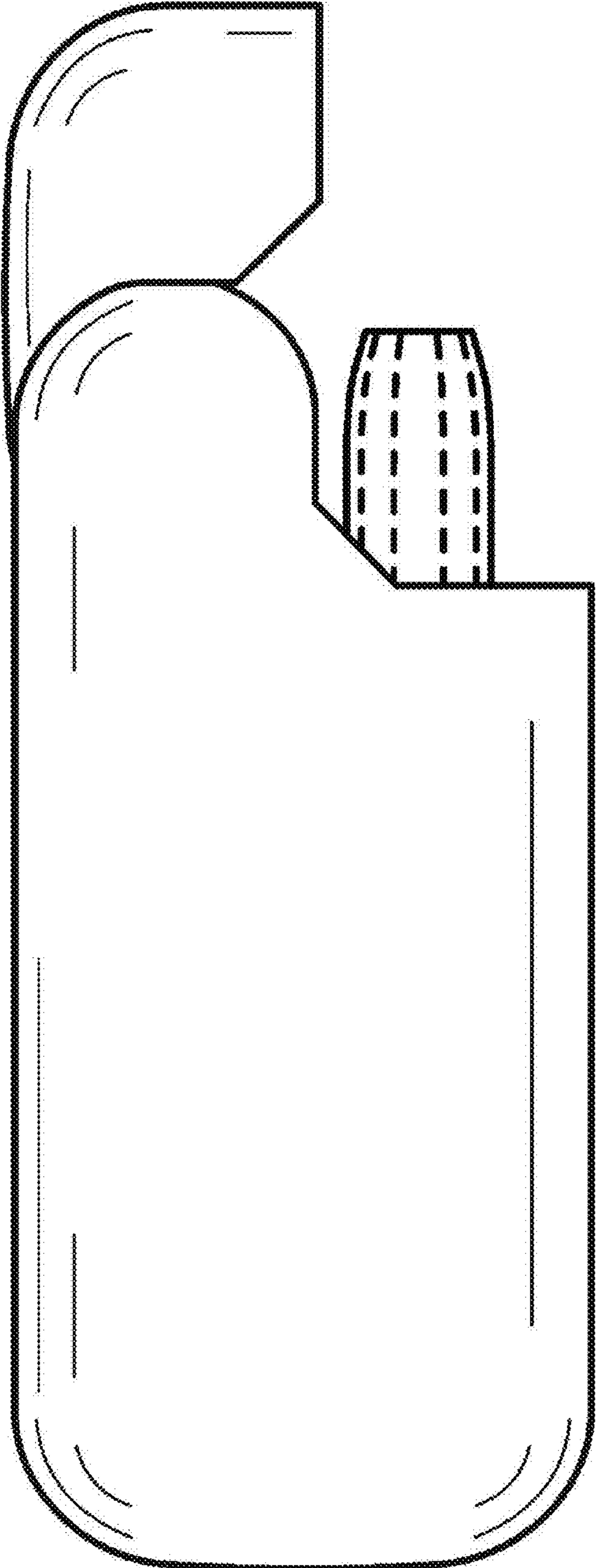


Fig. 16



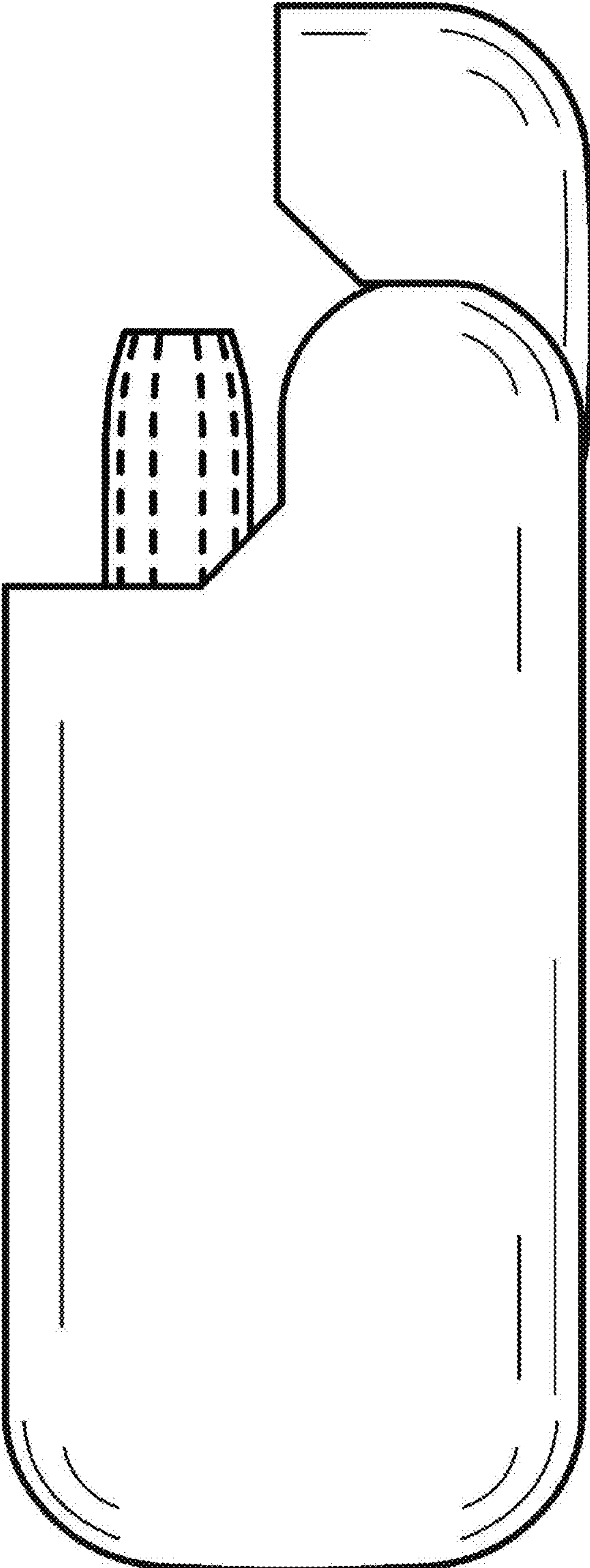


Fig. 17

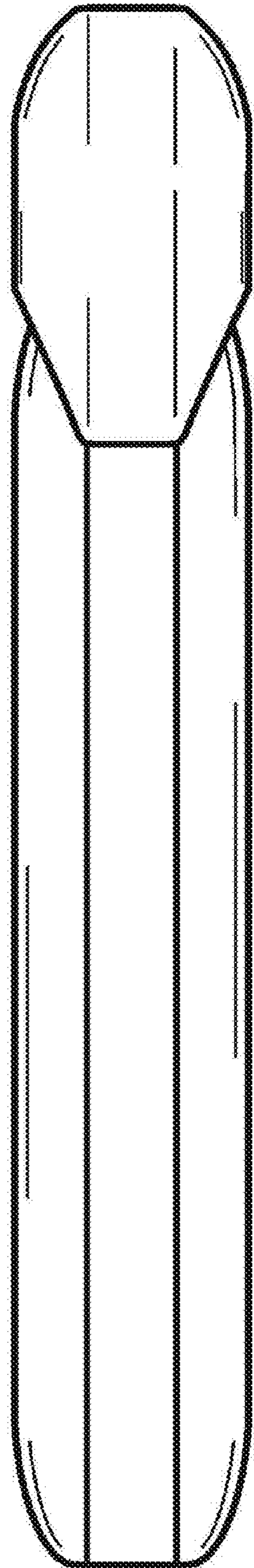


Fig. 18

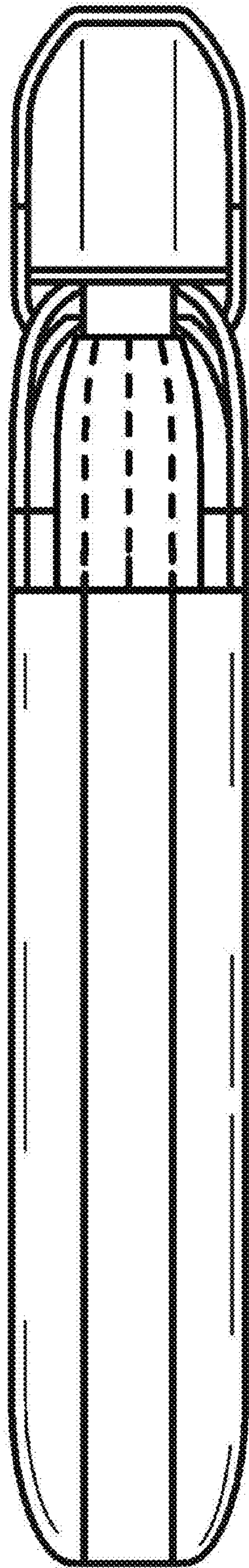


Fig. 19

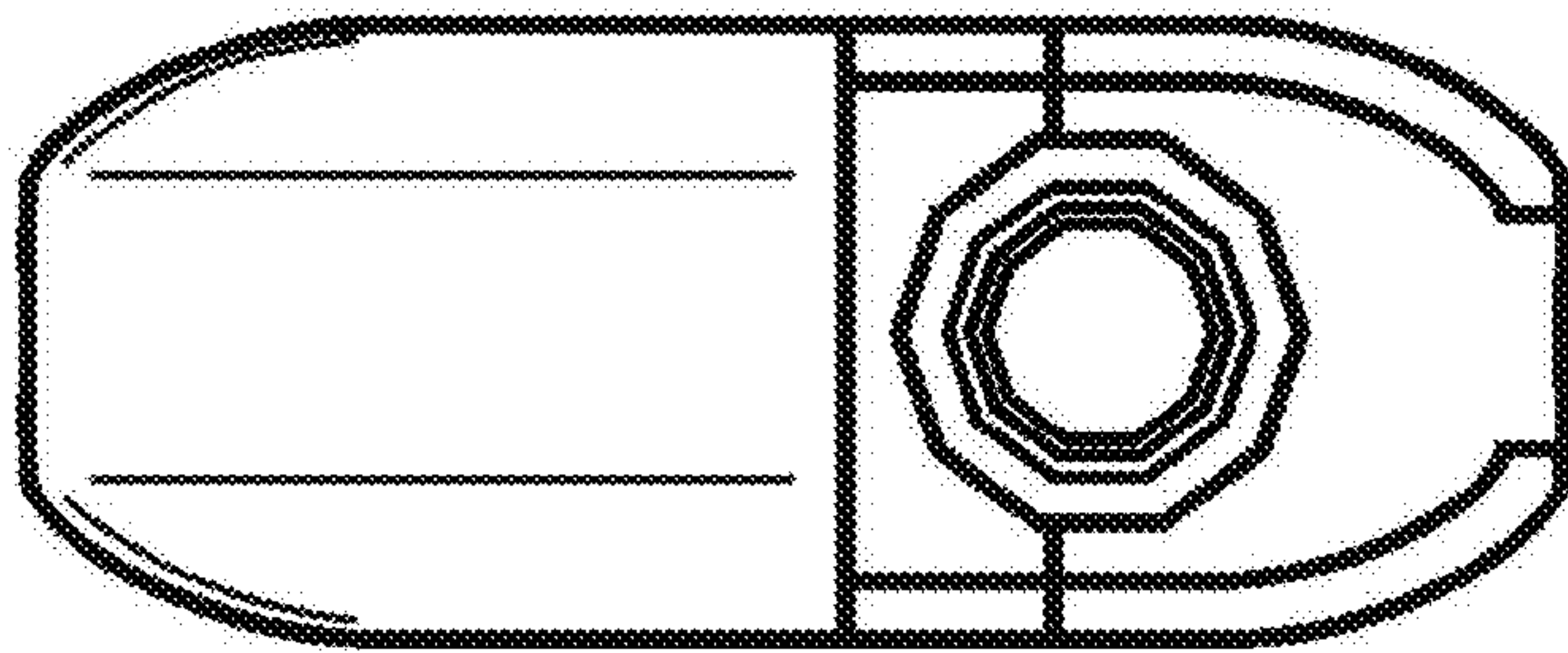


Fig. 20



Fig. 21