



US00D693051S

(12) **United States Design Patent**  
**Kluś**

(10) **Patent No.:** **US D693,051 S**  
(45) **Date of Patent:** **\*\* Nov. 5, 2013**

(54) **EXTERNAL HOUSING FOR LED-BASED  
LINEAR LIGHTING APPARATUS**

(76) Inventor: **Sylwester Kluś**, Kamionka (PL)

(\*\*) Term: **14 Years**

(21) Appl. No.: **29/411,728**

(22) Filed: **Jan. 25, 2012**

(51) **LOC (9) Cl.** ..... **26-99**

(52) **U.S. Cl.**  
USPC ..... **D26/138**

(58) **Field of Classification Search**

USPC ..... D26/25, 26, 28, 31, 35, 36, 37, 41, 42,  
D26/50, 51, 52, 64, 66, 67, 73, 75, 78, 85,  
D26/88, 89, 90, 103-106, 109, 110, 119,  
D26/123, 125, 129, 131, 135, 136, 138, 140,  
D26/143, 144; D13/179, 180; 362/92, 130,  
362/132, 133, 183, 184, 190, 205, 216,  
362/217.05, 218, 220, 223, 224, 241, 247,  
362/249.03, 249.05-249.1, 249.11, 258,  
362/260, 285, 287, 294.02, 297, 327, 345,  
362/354, 373-379, 410, 418, 419, 510, 516,  
362/558, 561; 248/339, 557, 558; D8/354,  
D8/373, 377, 382; D25/60, 119, 124, 125;  
52/455; 349/59-62, 64-67, 113;  
438/15; 345/102; D12/406; D10/111,  
D10/114.1; D11/121, 125, 144, 145;  
428/11; 257/96, 97, 98, 99

See application file for complete search history.

(56) **References Cited**

U.S. PATENT DOCUMENTS

D621,542 S *	8/2010	Klus	.....	D26/138
D623,343 S *	9/2010	Kluś	.....	D26/138
D649,685 S *	11/2011	Trzesniowski	.....	D26/138
D649,686 S *	11/2011	Trzesniowski	.....	D26/138
D662,255 S *	6/2012	Klu	.....	D26/138
D662,256 S *	6/2012	Klu	.....	D26/138
D662,653 S *	6/2012	Hochman	.....	D26/138

\* cited by examiner

*Primary Examiner* — Zenia Bennett

(74) *Attorney, Agent, or Firm* — Mark Terry

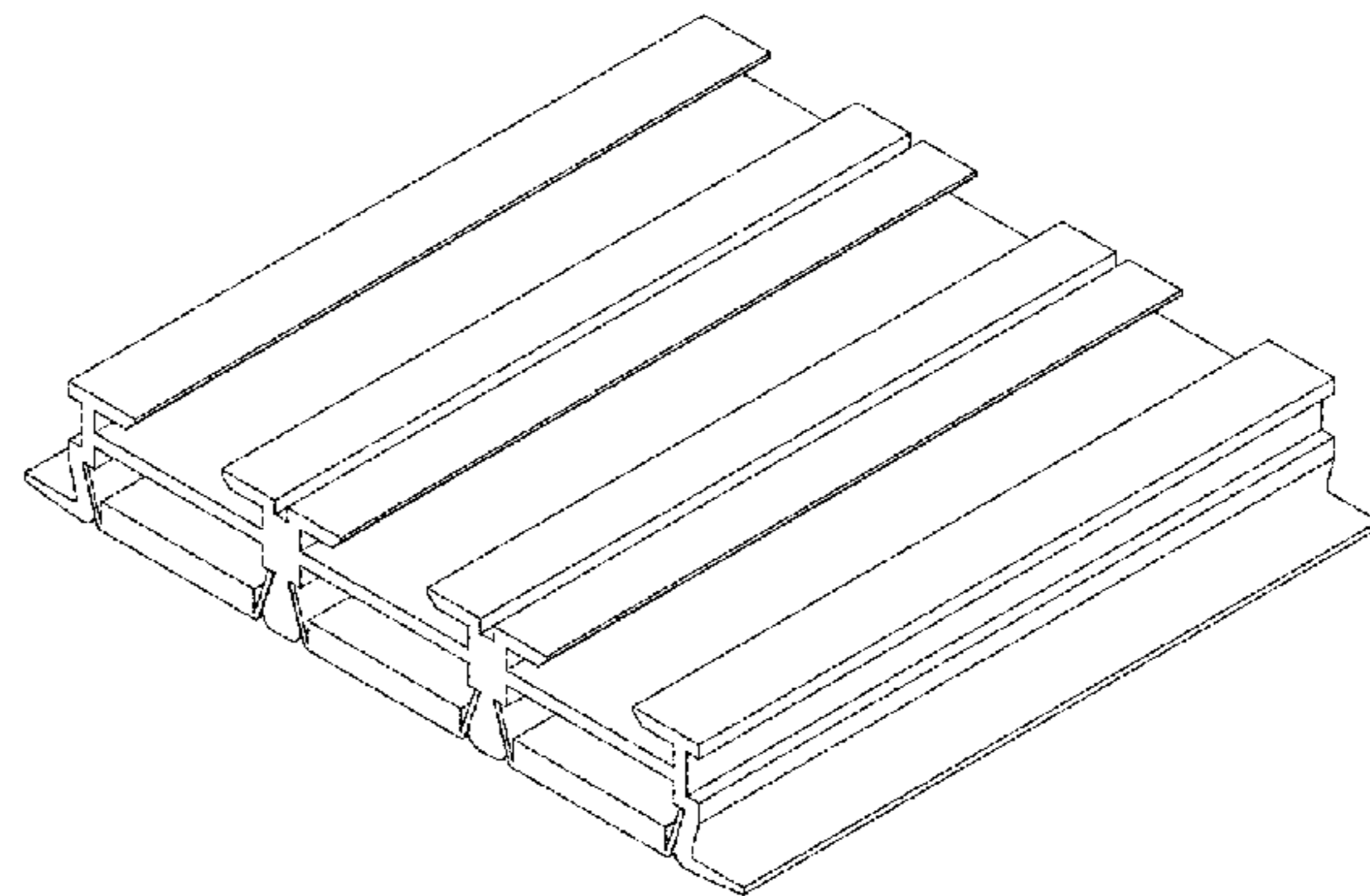
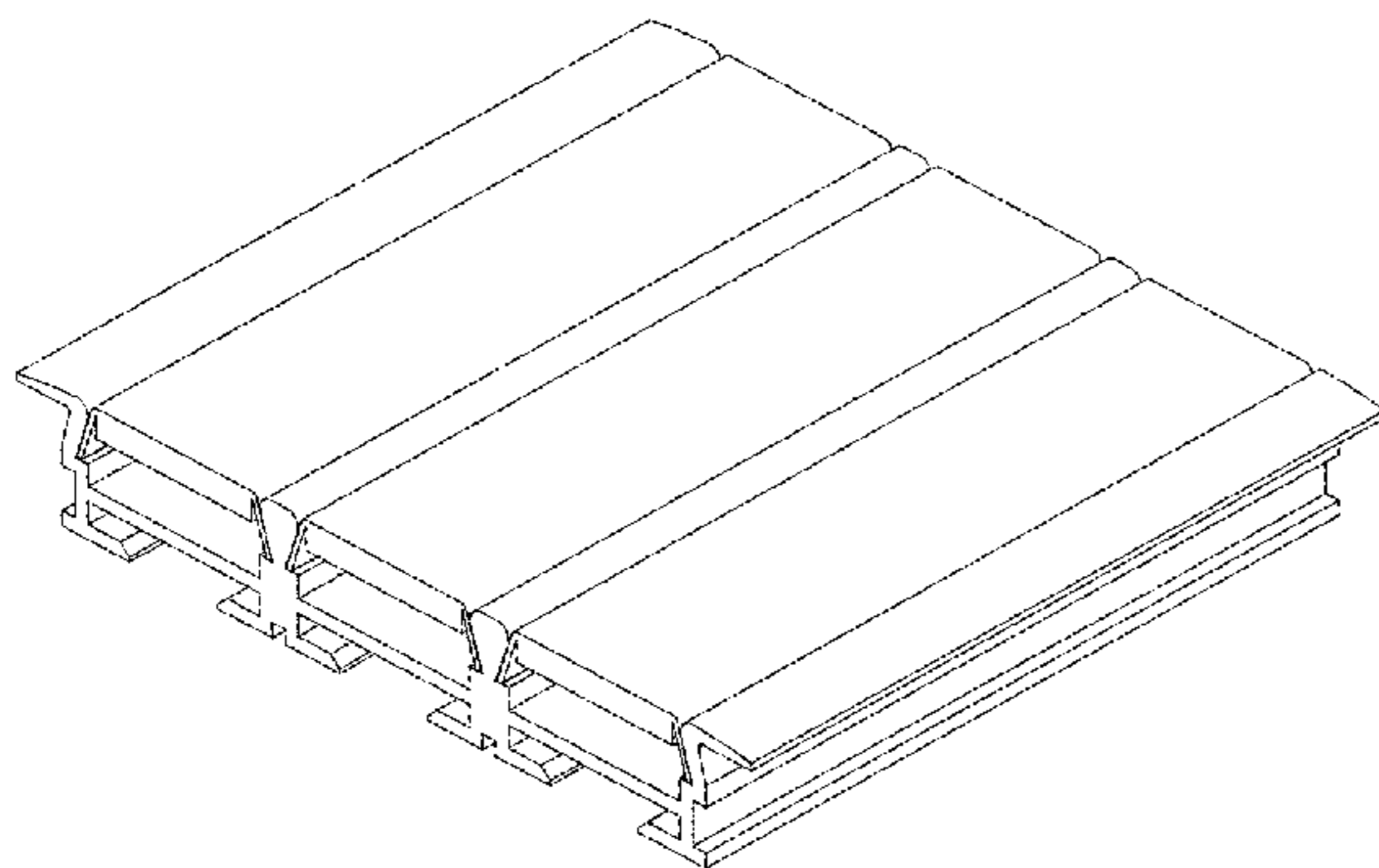
(57) **CLAIM**

The ornamental design for an external housing of an LED-based linear lighting apparatus, as shown and described.

**DESCRIPTION**

FIG. 1 is a top perspective view of the external housing of an LED-based linear lighting apparatus showing the new design; FIG. 2 is a bottom perspective view thereof; FIG. 3 is a front view thereof; FIG. 4 is a side view thereof; FIG. 5 is a top view thereof; and, FIG. 6 is a bottom view thereof.

**1 Claim, 3 Drawing Sheets**



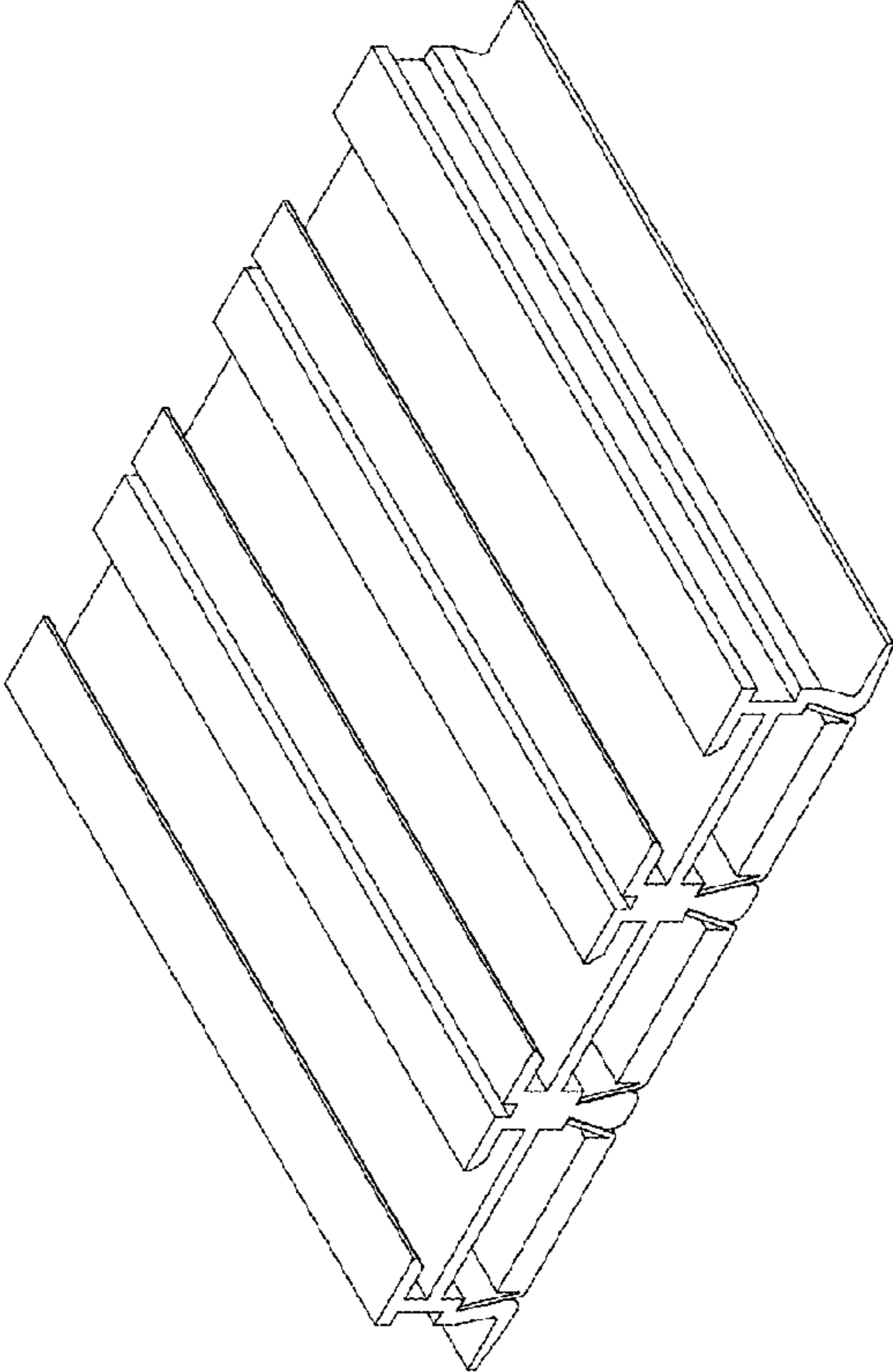


FIG. 2

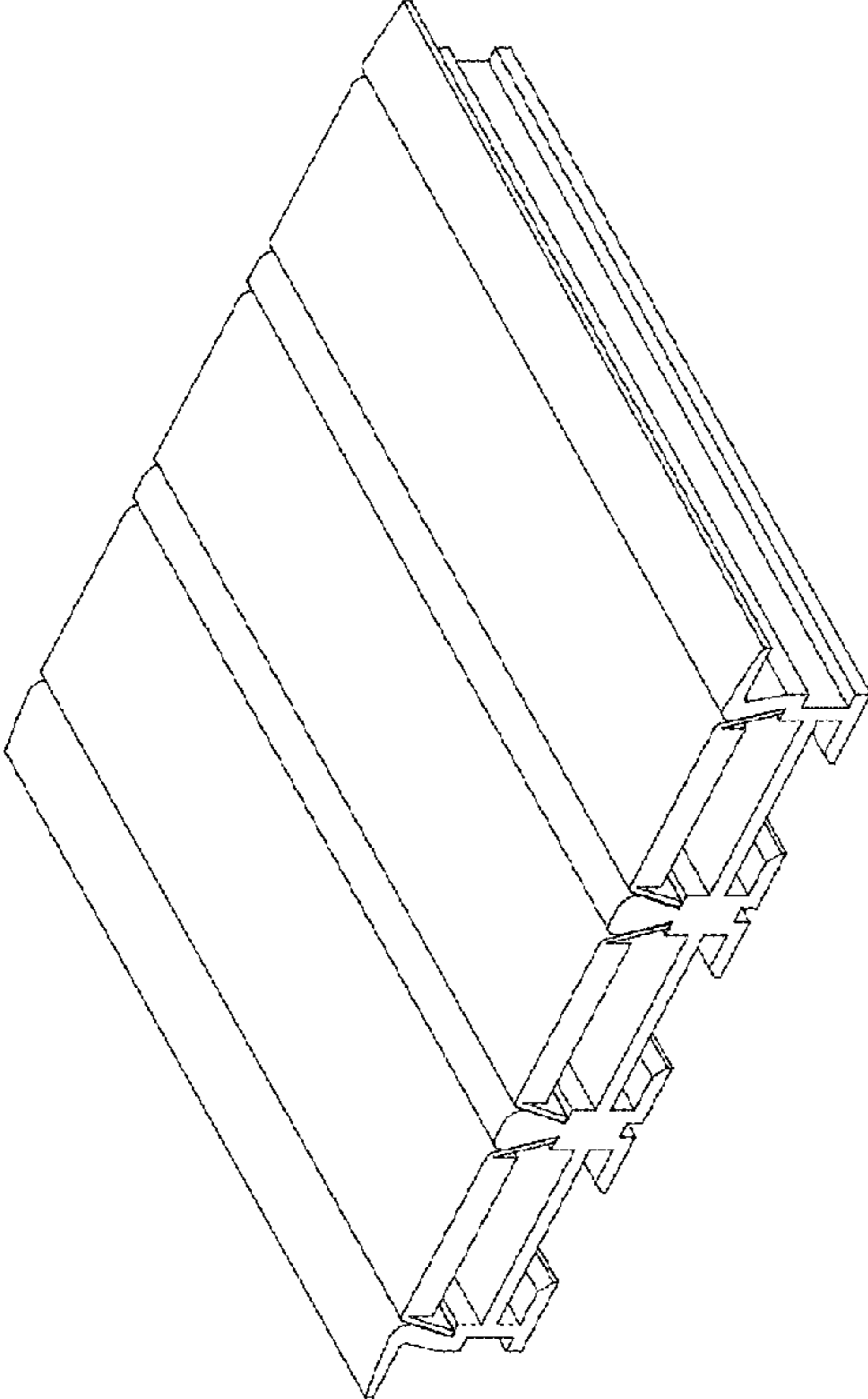


FIG. 1

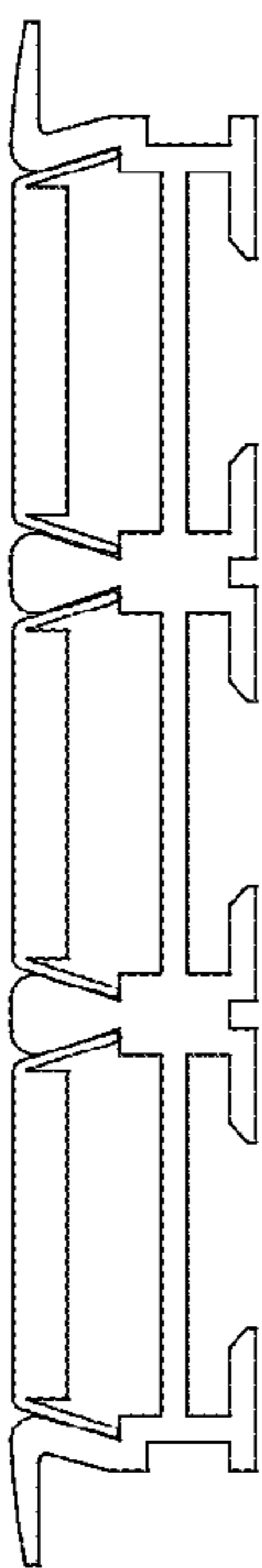


FIG. 3

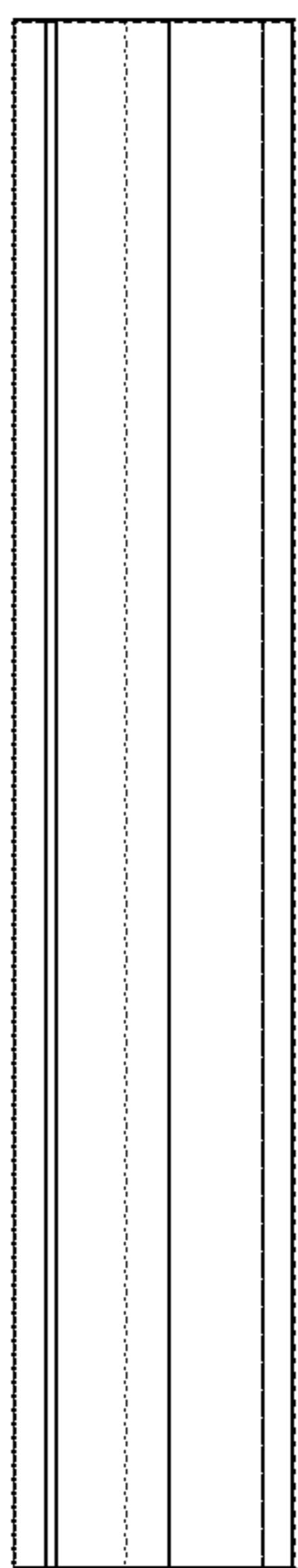


FIG. 4

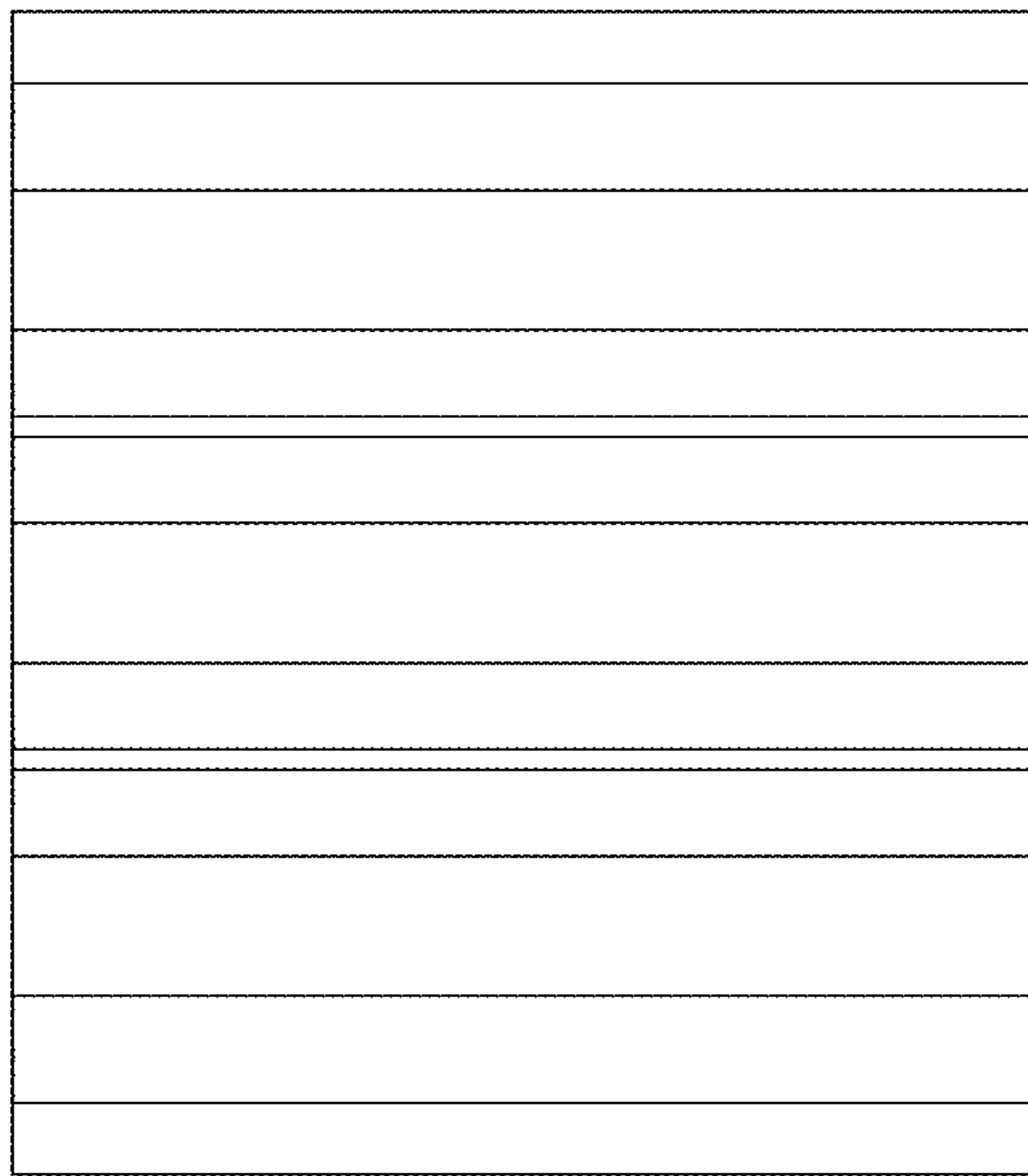


FIG. 6

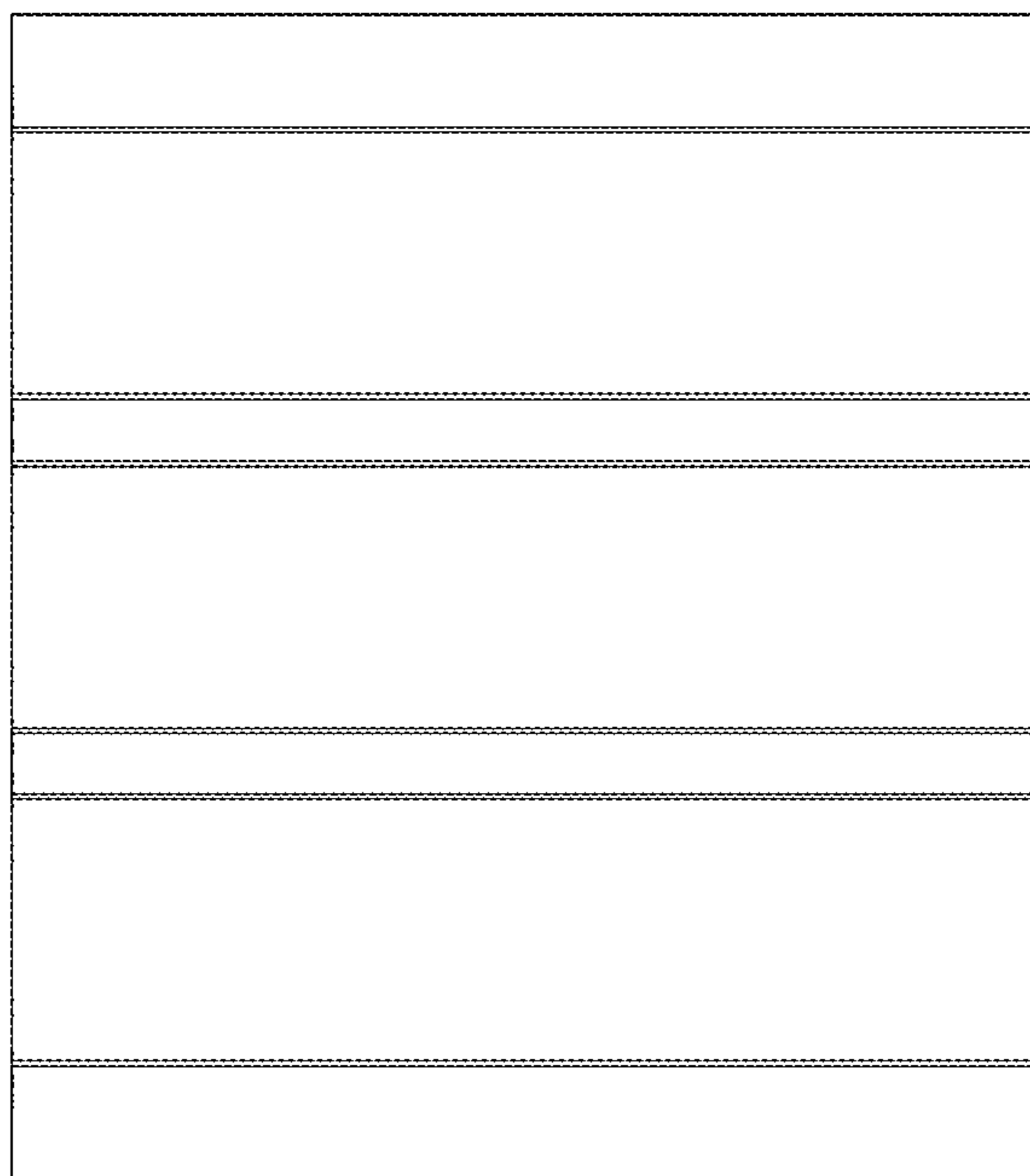


FIG. 5