



US00D693048S

(12) **United States Design Patent**
Ng et al.

(10) **Patent No.:** **US D693,048 S**
(45) **Date of Patent:** **** Nov. 5, 2013**

(54) **LIGHT**

(71) Applicant: **Koncept Technologies Inc.**, Monrovia, CA (US)

(72) Inventors: **Kenneth Yat Chung Ng**, Alhambra, CA (US); **Edmund Yat Kwong Ng**, Pasadena, CA (US); **Hon Kit Peter Ng**, Hong Kong (CN)

(73) Assignee: **Koncept Technologies Inc.**, Monrovia, CA (US)

(**) Term: **14 Years**

(21) Appl. No.: **29/432,705**

(22) Filed: **Sep. 19, 2012**

(51) **LOC (9) Cl.** **26-03**

(52) **U.S. Cl.**
USPC **D26/89**; D26/76

(58) **Field of Classification Search**
USPC D26/75-78, 80, 84, 86, 88, 89, 90;
362/133, 217.01, 218, 219, 221-224,
362/240, 404-408
See application file for complete search history.

(56) **References Cited**

U.S. PATENT DOCUMENTS

2,149,635	A *	3/1939	Shepard et al.	362/490
2,606,998	A *	8/1952	Wyman et al.	362/220
2,715,449	A *	8/1955	Smith et al.	362/217.07
5,245,518	A *	9/1993	Aspenwall	362/217.12
D344,605	S *	2/1994	Aspenwall	D26/76
D401,000	S *	11/1998	Herst	D26/76
D401,001	S *	11/1998	Herst et al.	D26/77
D404,513	S *	1/1999	Herst et al.	D26/77

D414,580	S *	9/1999	Herst	D26/76
D489,472	S *	5/2004	Newhouse et al.	D26/75
D492,809	S *	7/2004	Weitgasser	D26/76
D567,425	S *	4/2008	Yates	D26/76
D603,549	S *	11/2009	Ng	D26/80
D604,885	S *	11/2009	Ford et al.	D26/78
D606,229	S *	12/2009	Johansen et al.	D26/80
D607,598	S *	1/2010	Xiao et al.	D26/80
D607,599	S *	1/2010	Zhou et al.	D26/80
D608,042	S *	1/2010	Wu et al.	D26/76
D654,612	S *	2/2012	Ng	D26/80
D662,245	S *	6/2012	Steffy	D26/75
D662,643	S *	6/2012	Takahashi et al.	D26/76
D663,882	S *	7/2012	Muraishi et al.	D26/76
D671,254	S *	11/2012	Miyatake et al.	D26/75

* cited by examiner

Primary Examiner — Clare E Heflin

(74) *Attorney, Agent, or Firm* — Foley & Lardner LLP

(57) **CLAIM**

The ornamental design for a light, as shown and described.

DESCRIPTION

FIG. 1 is a perspective view of a light showing our new design;

FIG. 2 is a top view thereof;

FIG. 3 is a bottom view thereof;

FIG. 4 is a left view thereof;

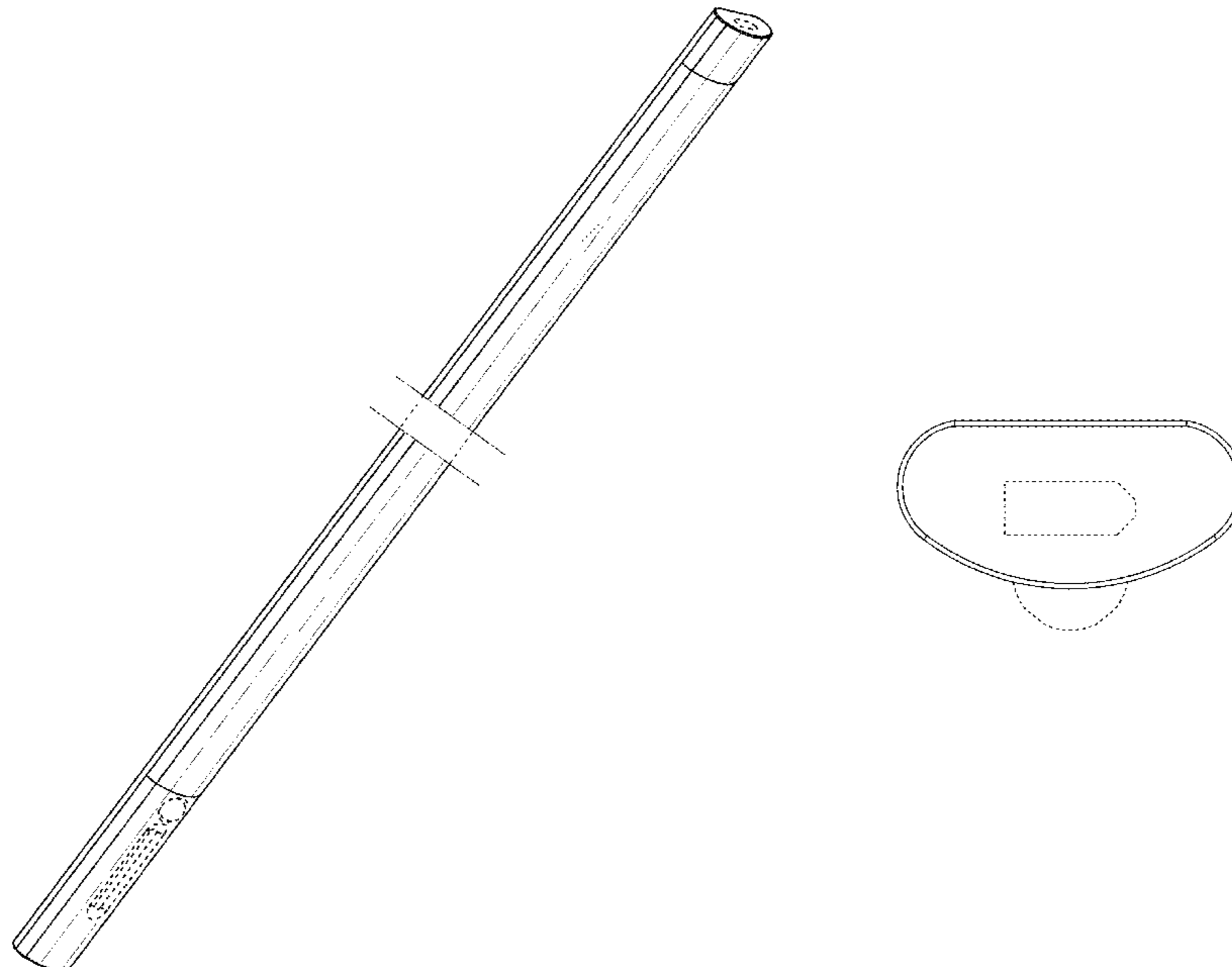
FIG. 5 is a right view thereof;

FIG. 6 is a front view thereof; and,

FIG. 7 is a rear view thereof.

Elements of the light have been broken away in some of the figures to indicate that no particular length is claimed. The portions of the light shown in broken lines form no part of the claimed design.

1 Claim, 4 Drawing Sheets



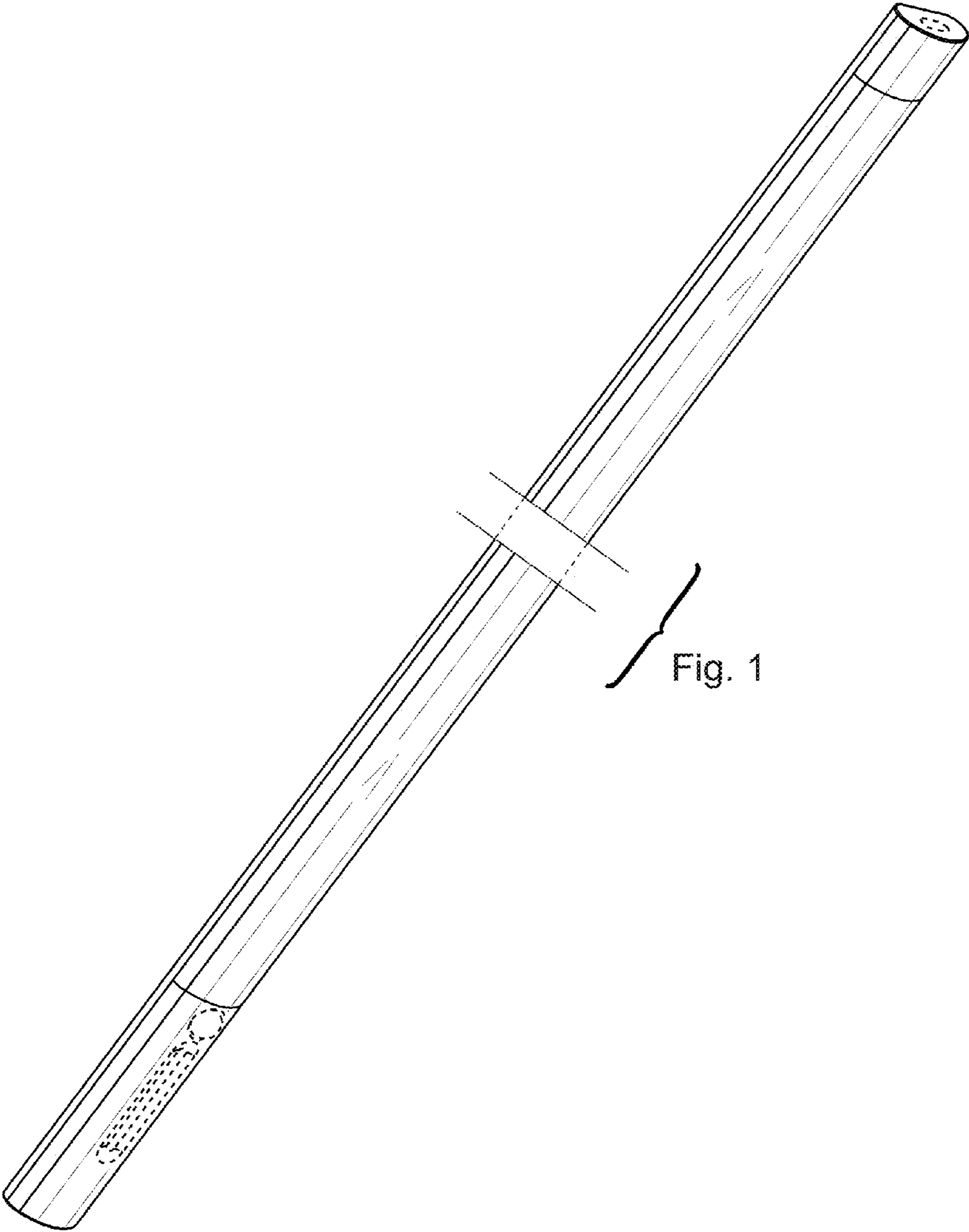
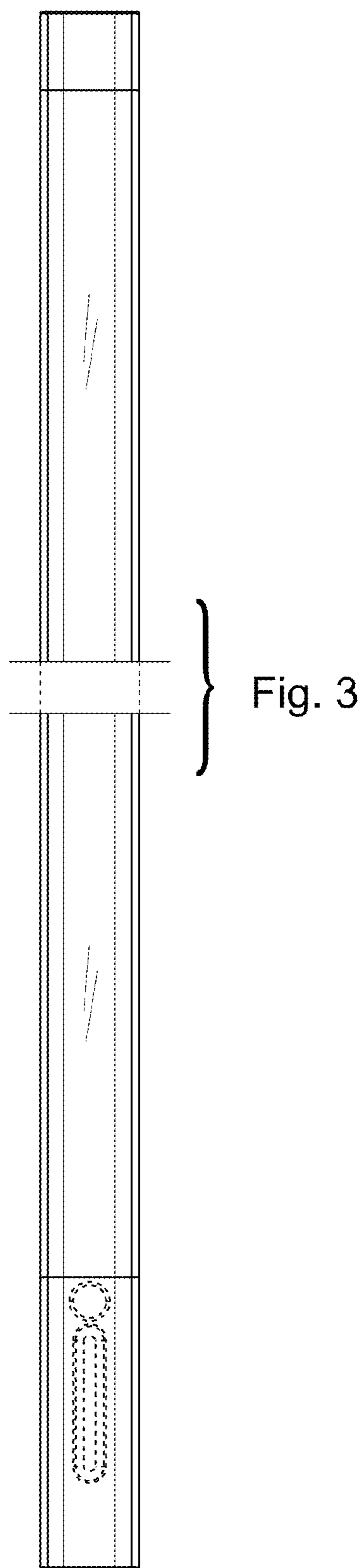
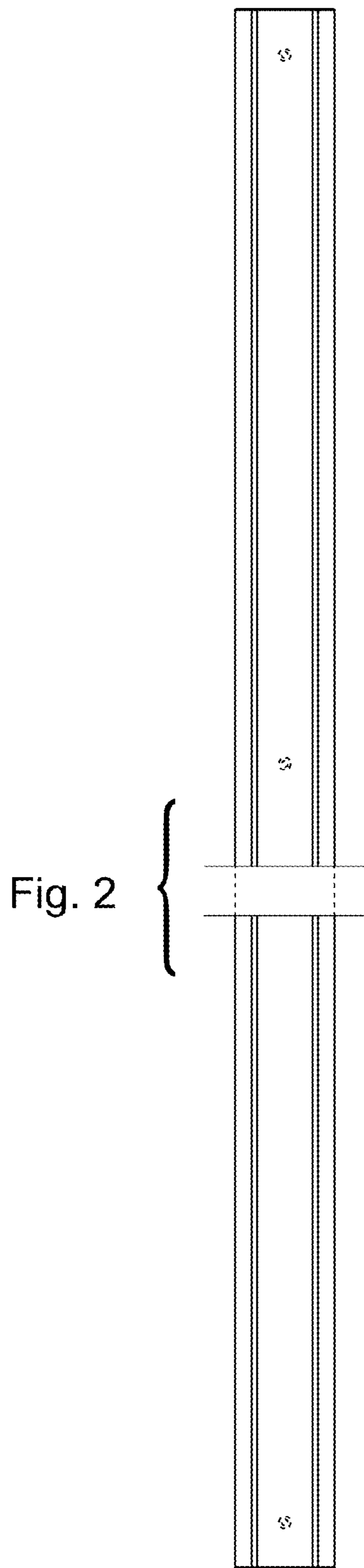


Fig. 1



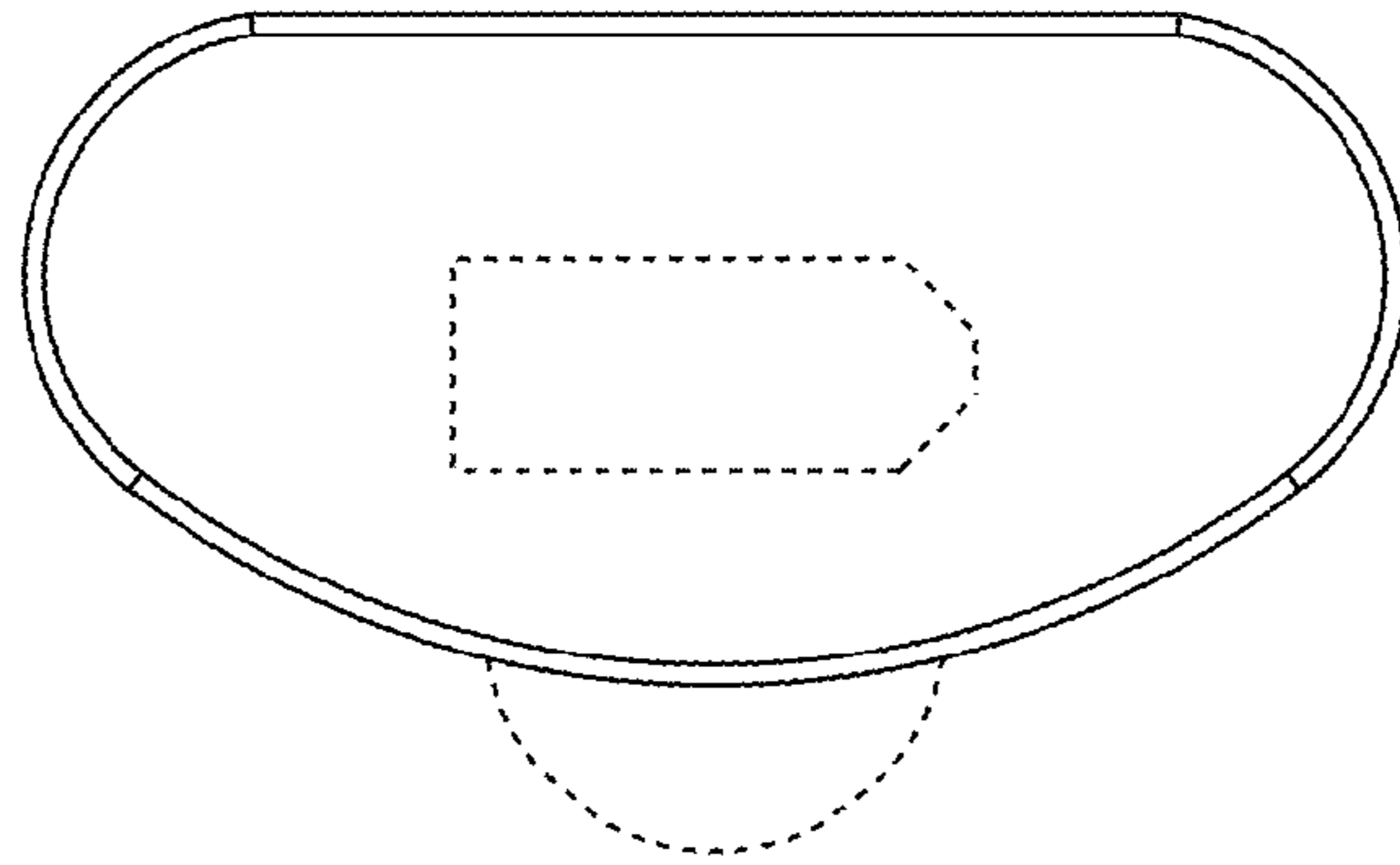


Fig. 4

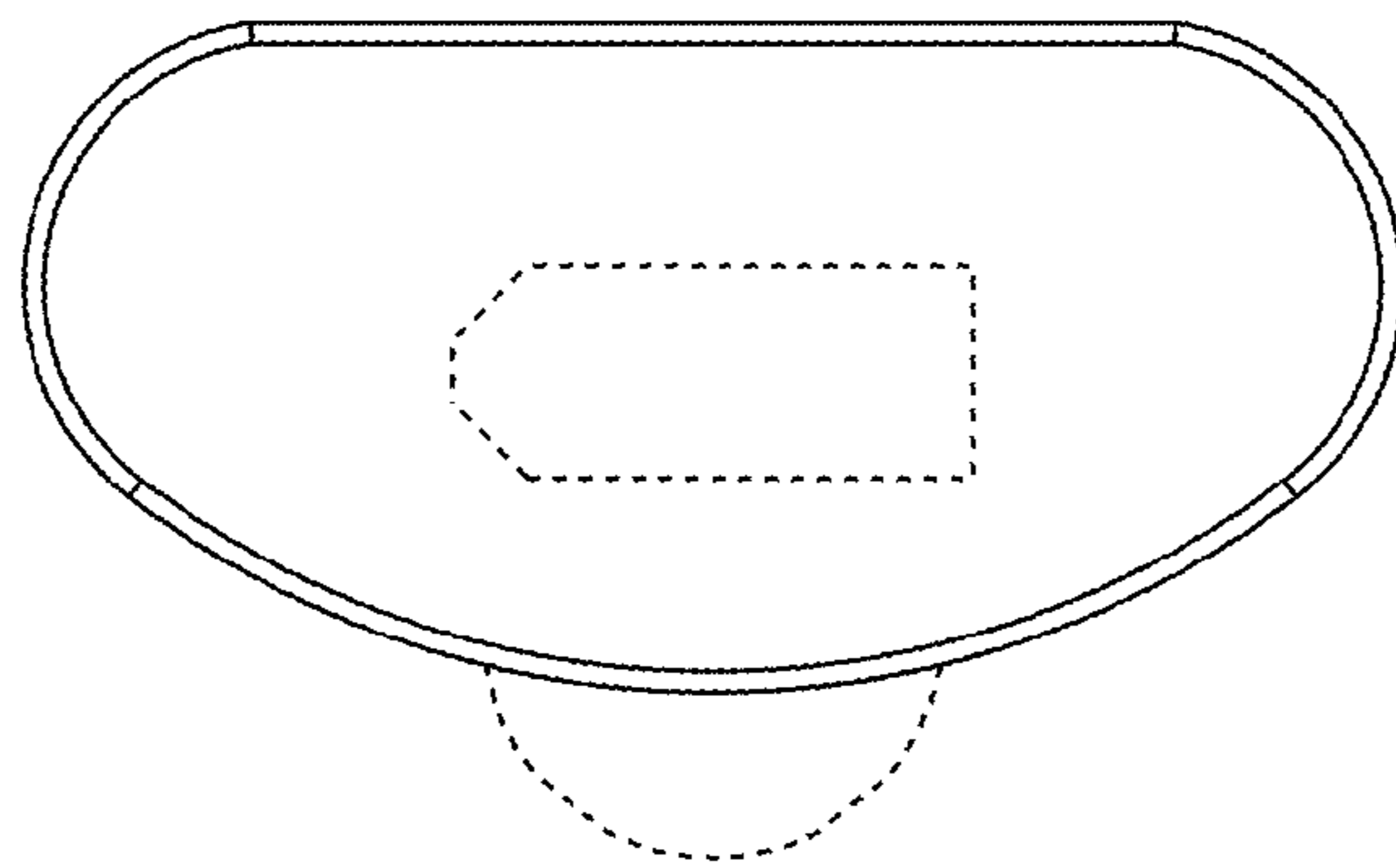


Fig. 5

