



US00D693047S

(12) **United States Design Patent**  
**Haumann**

(10) **Patent No.:** **US D693,047 S**  
(45) **Date of Patent:** **\*\* Nov. 5, 2013**

(54) **CEILING LIGHT**

(75) Inventor: **Rainer Haumann**, Neu-Anspach (DE)

(73) Assignee: **PROPLAST Fahrzeugbeleuchtung GmbH**, Rosbach (DE)

(\*\*) Term: **14 Years**

(21) Appl. No.: **29/429,185**

(22) Filed: **Aug. 8, 2012**

(51) **LOC (9) Cl.** ..... **26-03**

(52) **U.S. Cl.**  
USPC ..... **D26/89**; D26/76

(58) **Field of Classification Search**  
USPC ..... D26/75–78, 80, 84, 86, 88, 89, 90;  
362/133, 217.01, 218, 219, 221–224,  
362/240, 404–408

See application file for complete search history.

(56) **References Cited**

U.S. PATENT DOCUMENTS

2,149,635	A *	3/1939	Shepard et al.	.....	362/490
2,606,998	A *	8/1952	Wyman et al.	.....	362/220
5,245,518	A *	9/1993	Aspenwall	.....	362/640

(Continued)

*Primary Examiner* — Clare E Heflin

(74) *Attorney, Agent, or Firm* — Kaplan Breyer Schwarz & Ottesen LLP

(57) **CLAIM**

The ornamental design for a ceiling light, as shown and described.

**DESCRIPTION**

FIG. 1 is a perspective view of a first embodiment of a ceiling light, showing my new design.

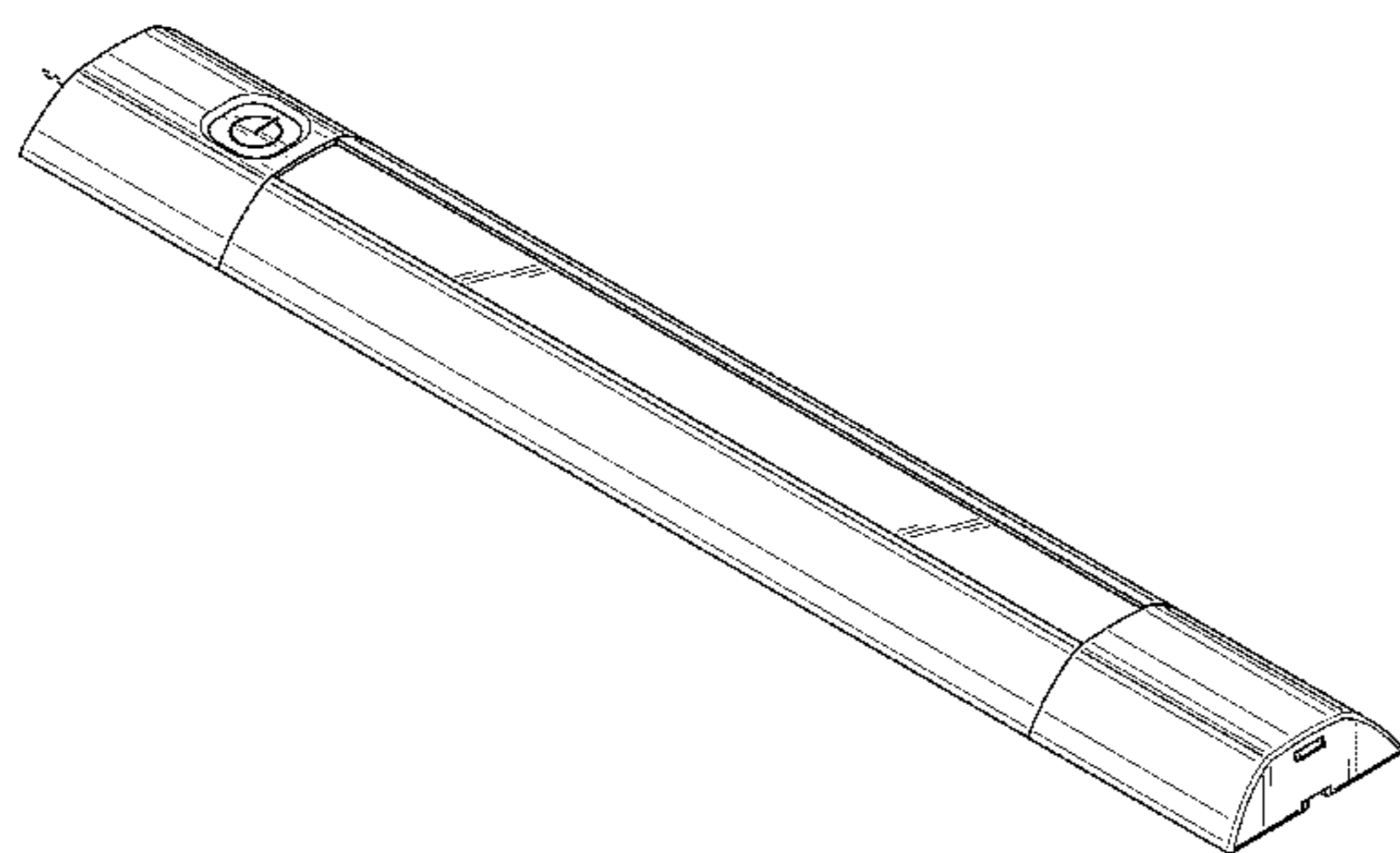
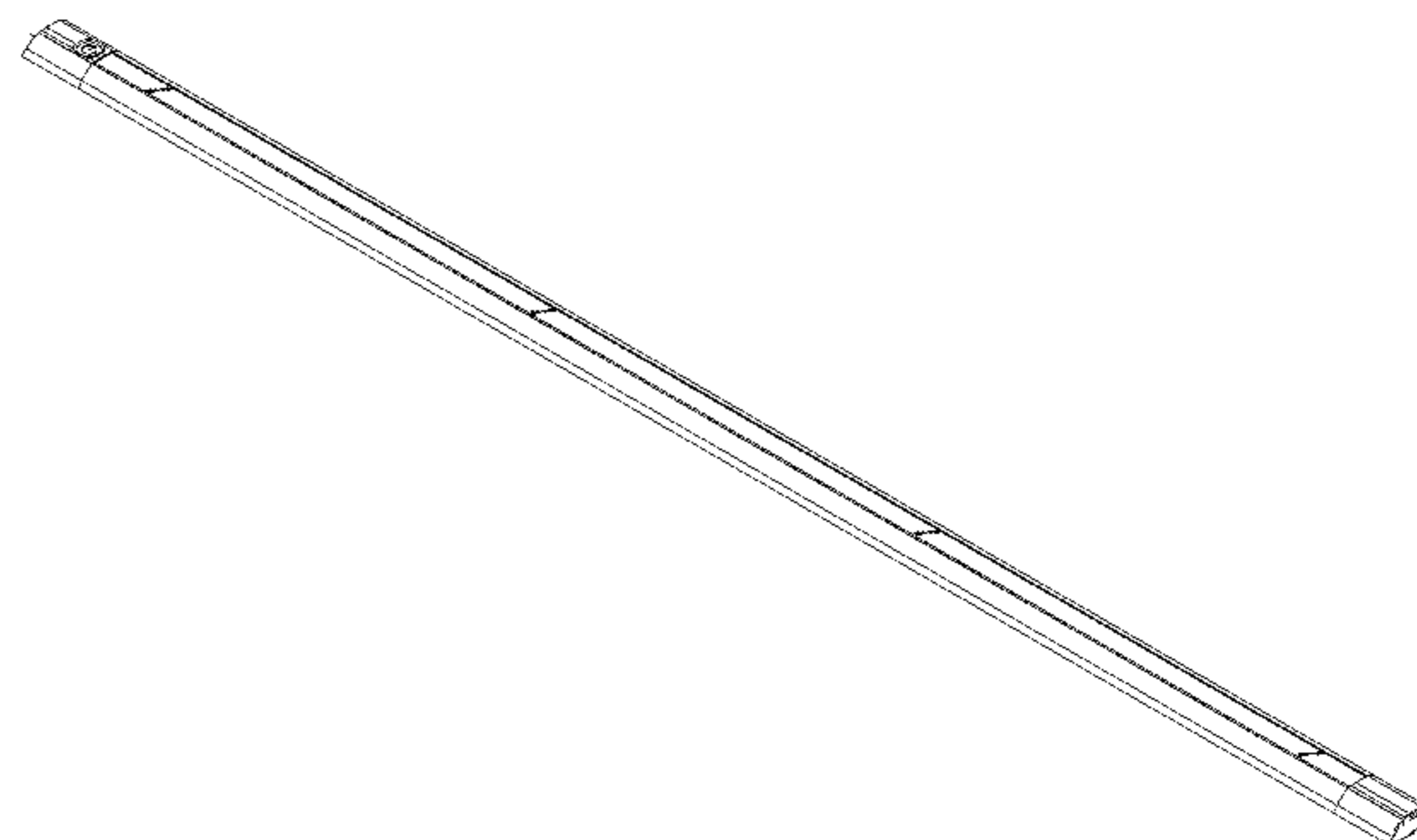


FIG. 2 is a top plan view of FIG. 1 thereof;  
 FIG. 3 is a bottom plan view of FIG. 1 thereof;  
 FIG. 4 is a right side elevational view of FIG. 1 thereof;  
 FIG. 5 is a left side elevational view of FIG. 1 thereof;  
 FIG. 6 is a front elevational view of FIG. 1 thereof;  
 FIG. 7 is a rear elevational view of FIG. 1 thereof;  
 FIG. 8 is a perspective view of a second embodiment of a ceiling light, showing my new design, the only differences from the first embodiment being that this embodiment has a power button on the top surface, it being understood that all other surfaces are the same as those of the first embodiment;  
 FIG. 9 is a top plan view of FIG. 8 thereof;  
 FIG. 10 is a front elevational view of FIG. 8 thereof;  
 FIG. 11 is a rear elevational view of FIG. 8 thereof;  
 FIG. 12 is a perspective view of a third embodiment of a ceiling light, showing my new design, the only differences from the second embodiment being that this embodiment has a longer overall length affecting the top, bottom, front, and rear surfaces, it being understood that all other surfaces are the same as those of the second embodiment;  
 FIG. 13 is a perspective view of a fourth embodiment of a ceiling light, showing my new design, the only differences from the third embodiment being that this embodiment has a longer overall length affecting the top, bottom, front, and rear surfaces, it being understood that all other surfaces are the same as those of the third embodiment; and,  
 FIG. 14 is a perspective view of a fifth embodiment of a ceiling light, showing my new design, the only differences from the fourth embodiment being that this embodiment has a longer overall length affecting the top, bottom, front, and rear surfaces, it being understood that all other surfaces are the same as those of the fourth embodiment.  
 The broken lines shown in FIGS. 1-3 and 6-14 are for illustrative purposes only and form no part of the claimed design.

**1 Claim, 11 Drawing Sheets**



(56)

**References Cited**

U.S. PATENT DOCUMENTS

D344,605 S \* 2/1994 Aspenwall ..... D26/76  
D401,000 S \* 11/1998 Herst ..... D26/76  
D401,001 S \* 11/1998 Herst et al. .... D26/77  
D404,513 S \* 1/1999 Herst et al. .... D26/77  
D414,580 S \* 9/1999 Herst ..... D26/76

D567,425 S \* 4/2008 Yates ..... D26/76  
D604,885 S \* 11/2009 Ford et al. .... D26/78  
D606,229 S \* 12/2009 Johansen et al. .... D26/80  
D607,598 S \* 1/2010 Xiao et al. .... D26/80  
D607,599 S \* 1/2010 Zhou et al. .... D26/80  
D654,612 S \* 2/2012 Ng ..... D26/80  
D663,882 S \* 7/2012 Muraishi et al. .... D26/76

\* cited by examiner

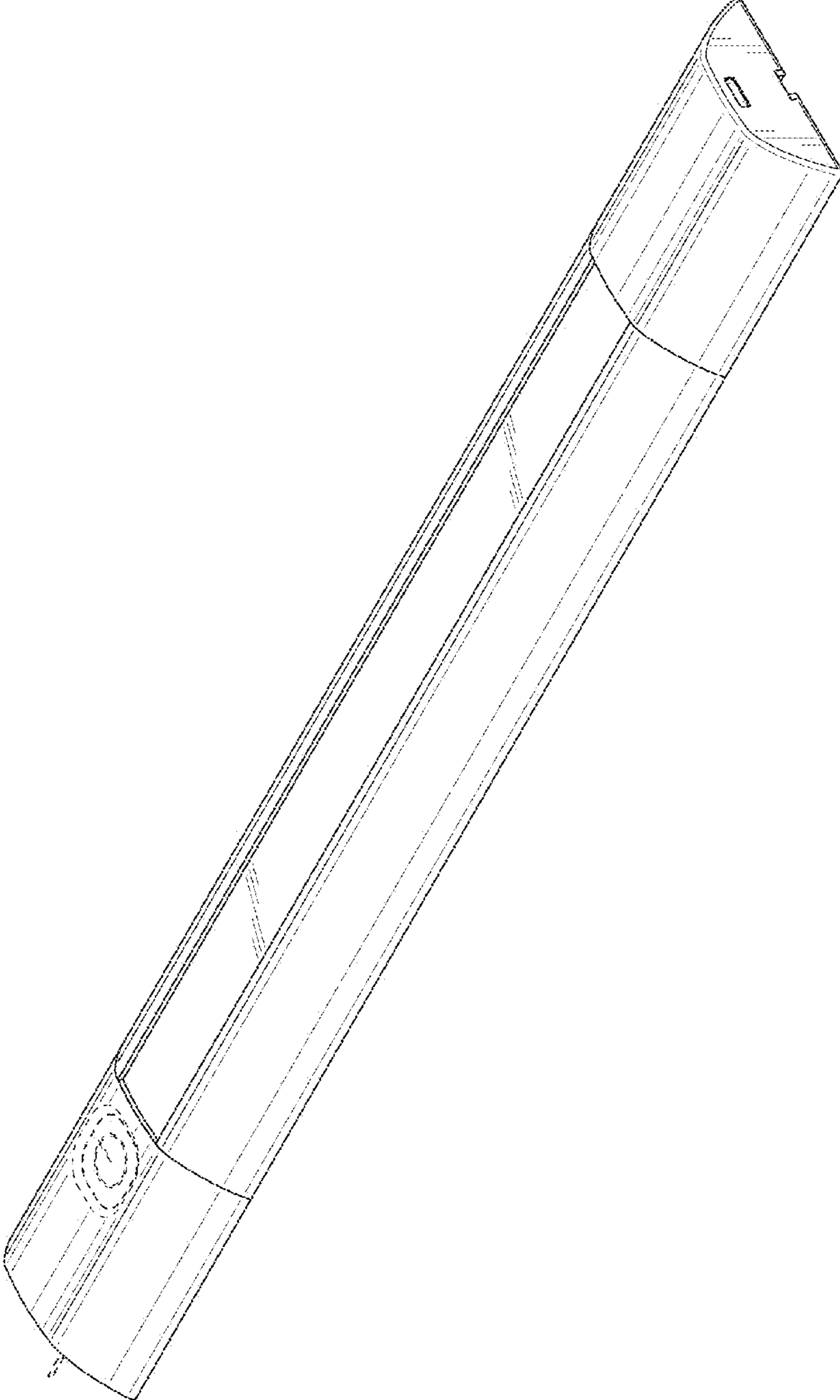


FIG. 1

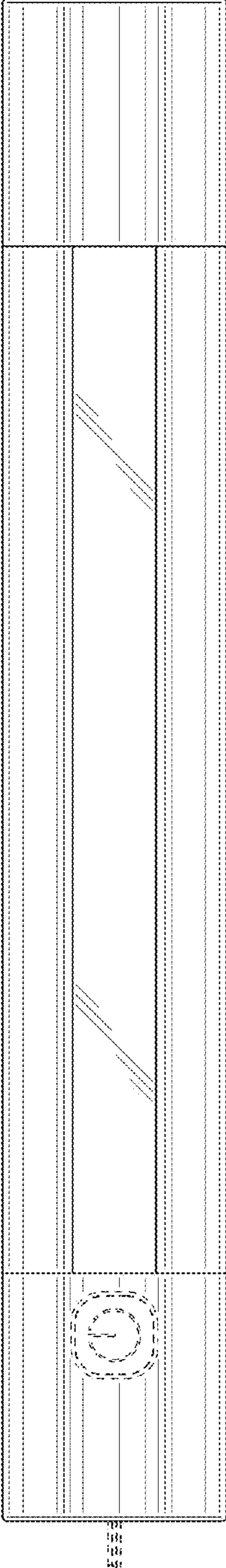


FIG. 2

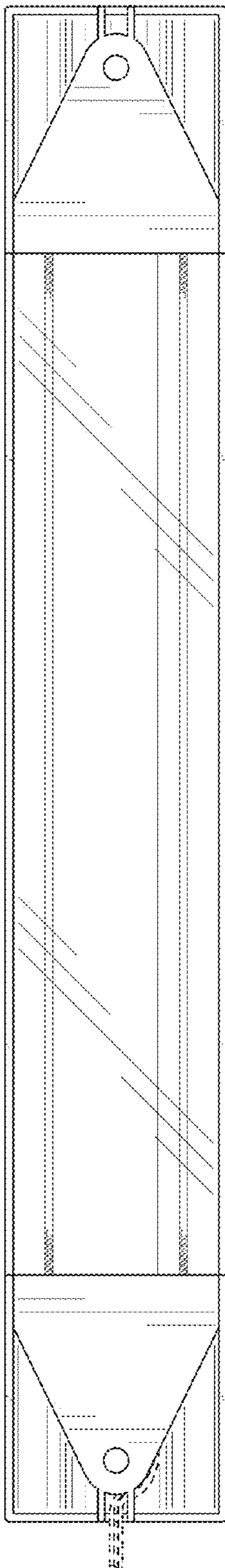


FIG. 3

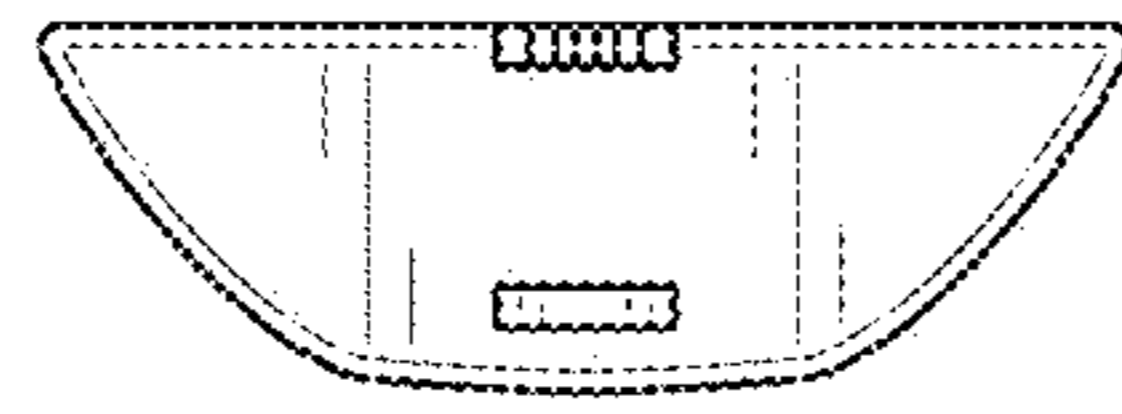


FIG. 5

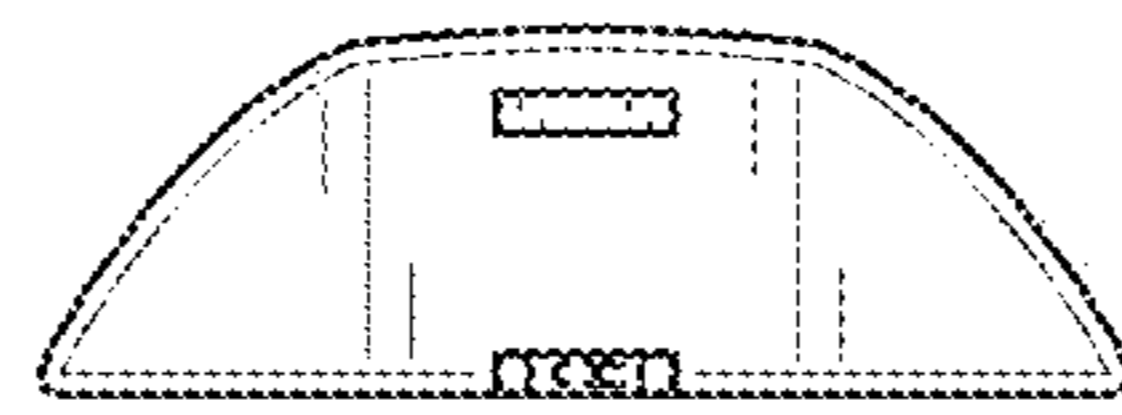


FIG. 4

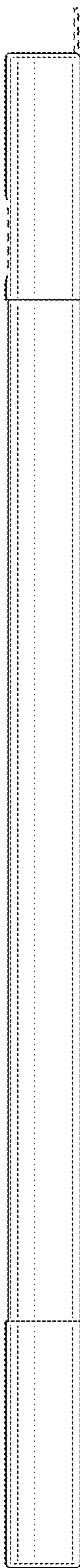


FIG. 6

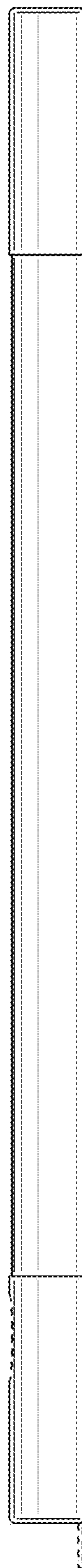


FIG. 7

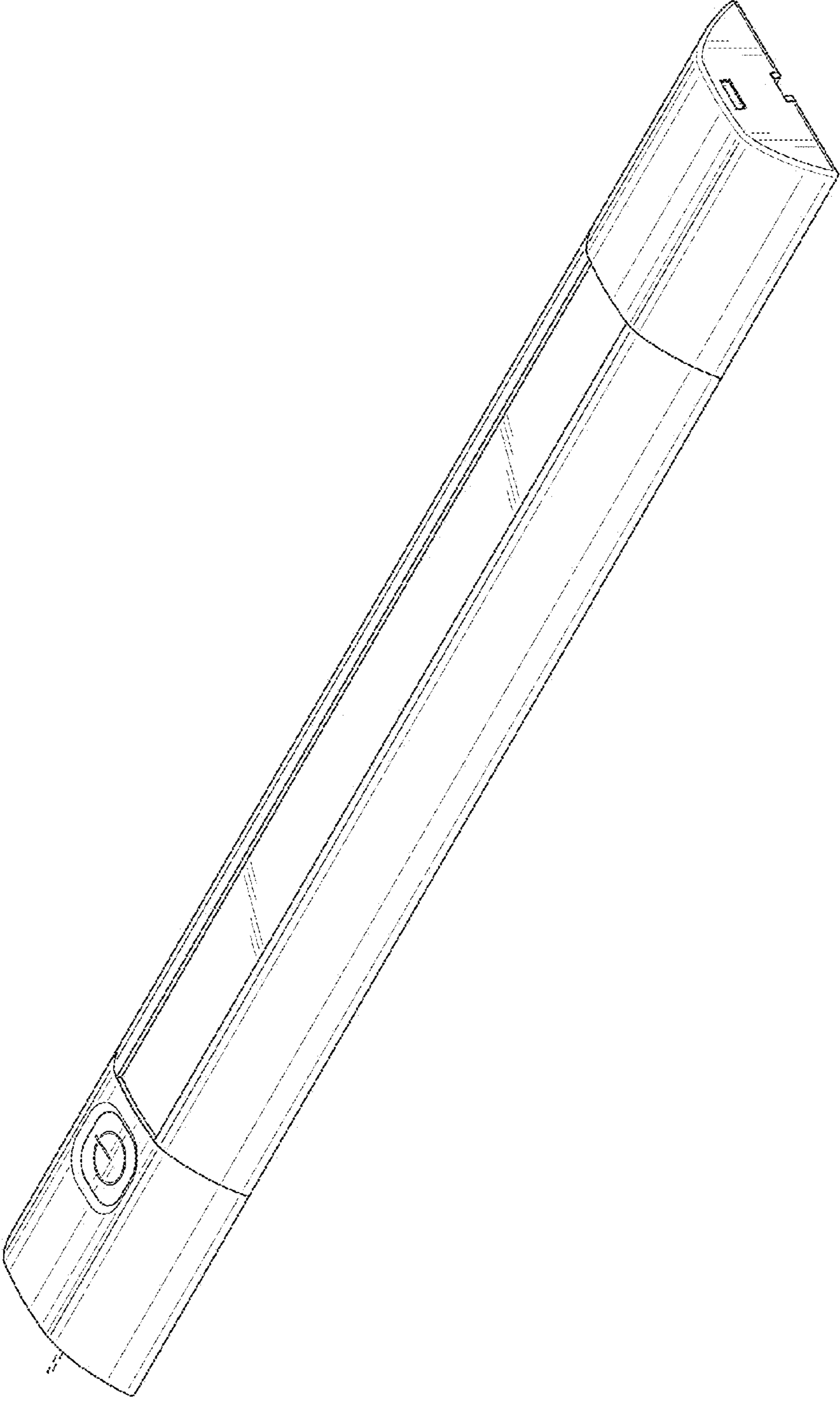


FIG. 8



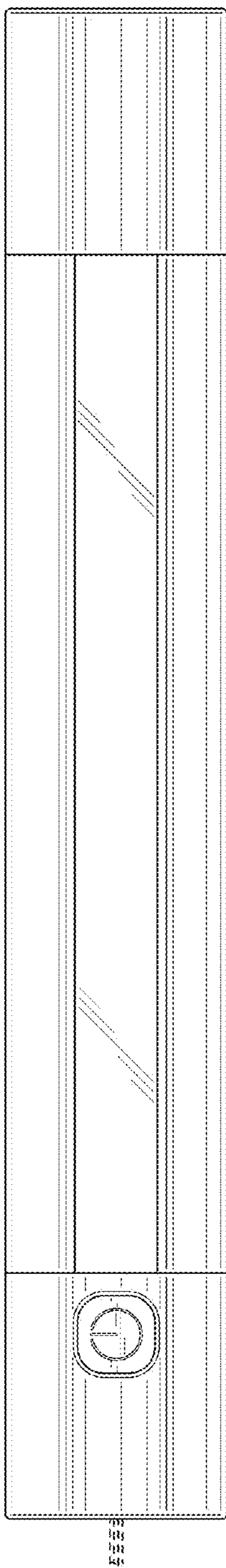


FIG. 9

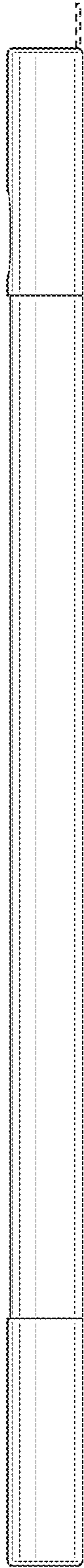


FIG. 10

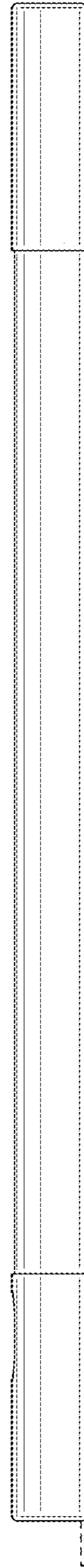


FIG. 11

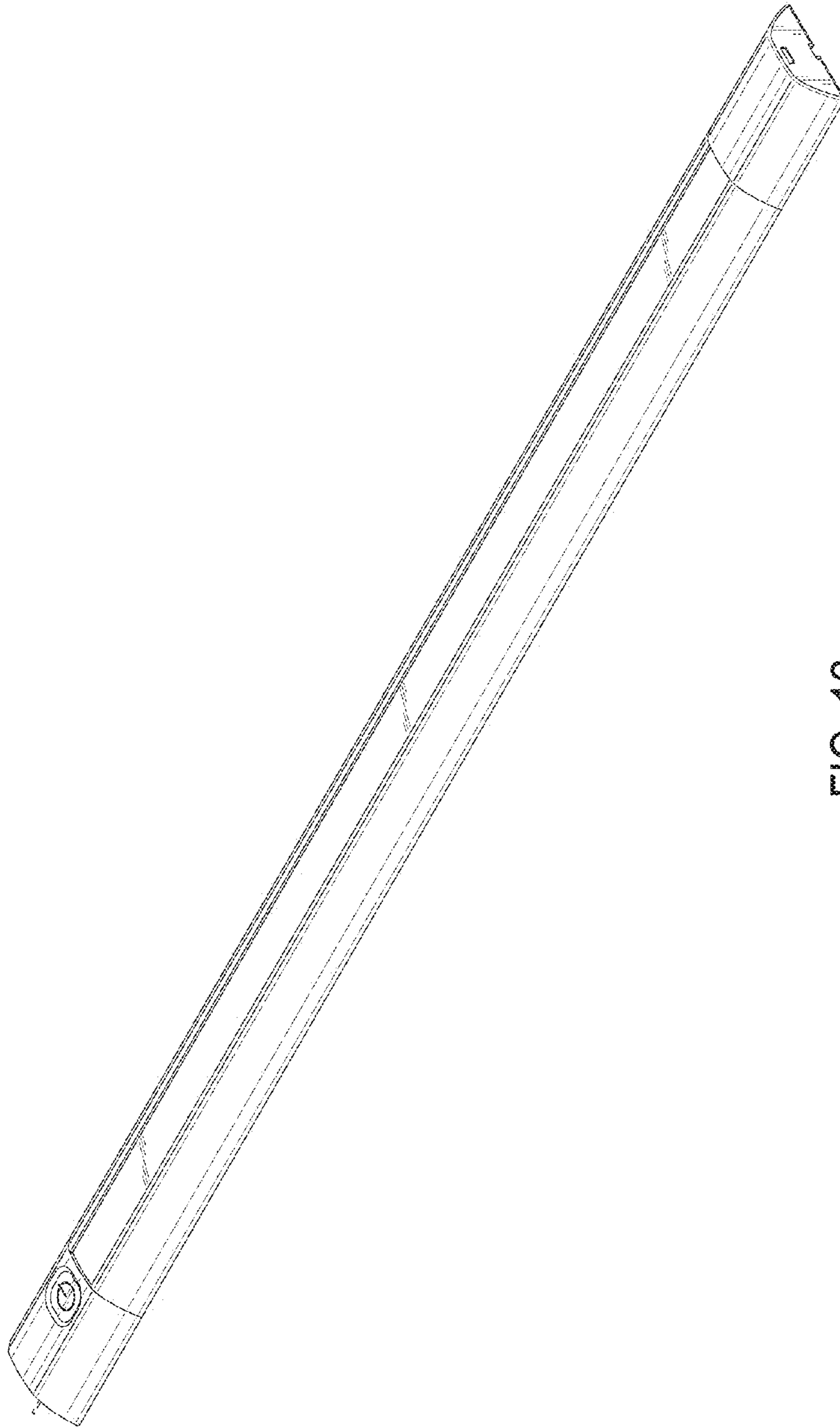


FIG. 12

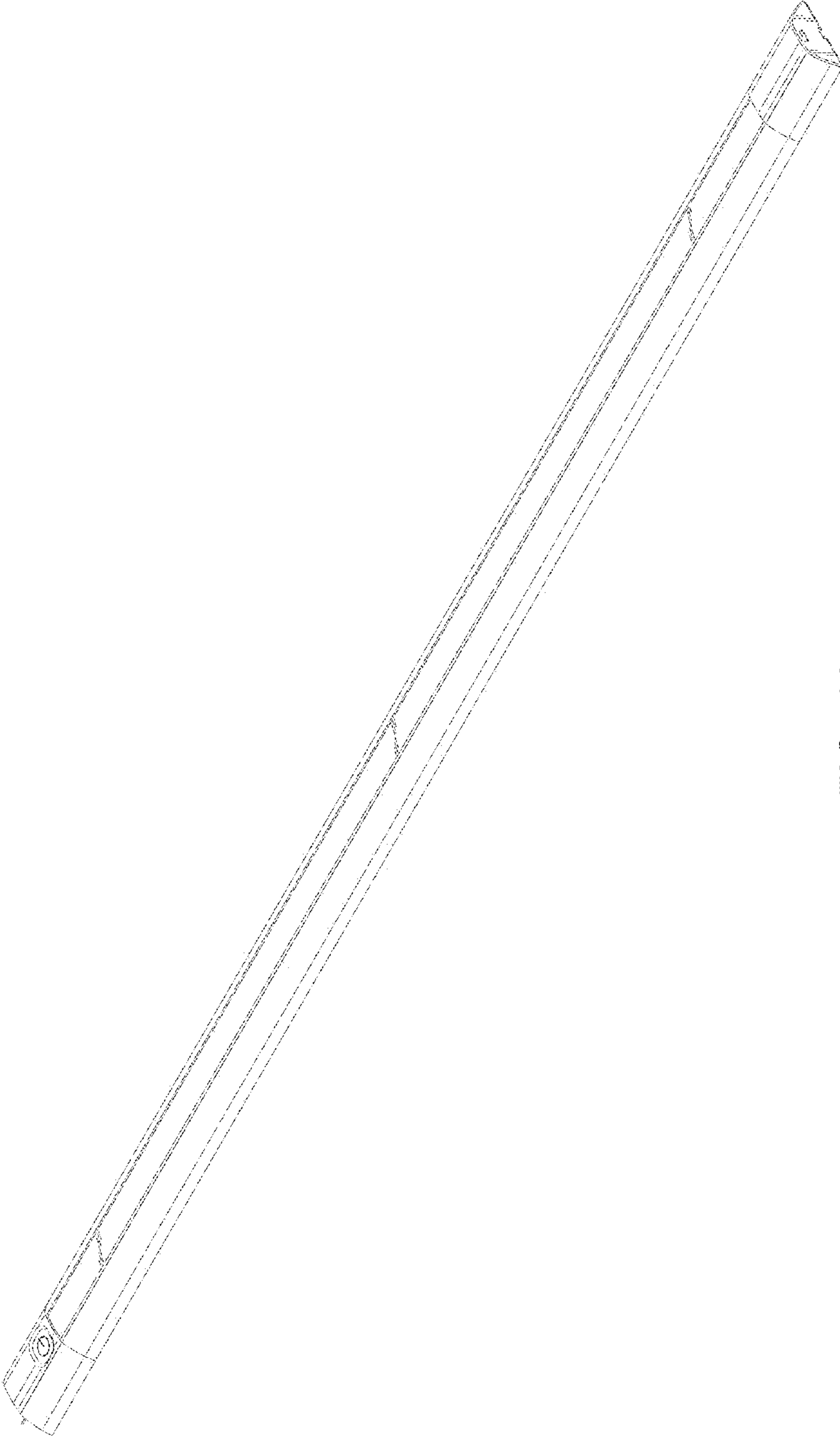


FIG. 13

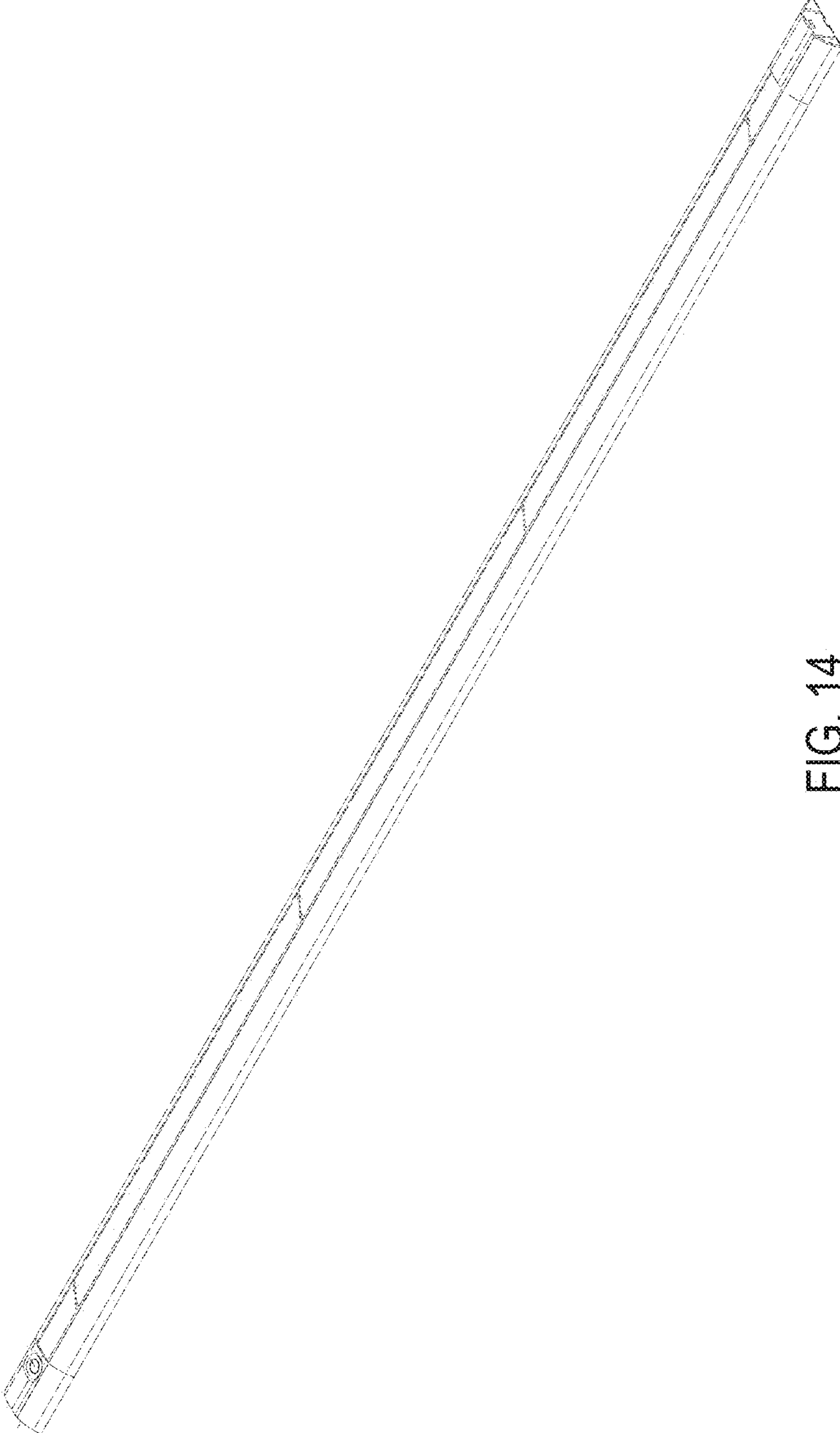


FIG. 14