



US00D693041S

(12) **United States Design Patent**
van der Lande

(10) **Patent No.:** **US D693,041 S**

(45) **Date of Patent:** **** Nov. 5, 2013**

(54) **FLASHLIGHT**

(75) Inventor: **Jan van der Lande**, New York, NY (US)

(73) Assignee: **Kikkerland Design Inc.**, New York, NY (US)

(**) Term: **14 Years**

(21) Appl. No.: **29/423,425**

(22) Filed: **May 31, 2012**

(51) **LOC (9) Cl.** **26-02**

(52) **U.S. Cl.**
USPC **D26/46**

(58) **Field of Classification Search**
USPC D26/37, 38, 42, 46, 49; 362/157, 158,
362/183, 184, 194–196, 202–208
See application file for complete search history.

(56) **References Cited**

U.S. PATENT DOCUMENTS

D370,543 S *	6/1996	Huen	D26/49
5,586,819 A *	12/1996	Bamber et al.	362/158
D428,173 S *	7/2000	Lynch et al.	D26/42
D480,825 S *	10/2003	Englert et al.	D26/49
D486,935 S *	2/2004	Shiu	D26/49
D488,877 S *	4/2004	Shin	D26/49

D620,162 S *	7/2010	Liu	D26/49
D629,940 S *	12/2010	Osterhout	D26/49
D636,509 S *	4/2011	Killion et al.	D26/46
D636,510 S *	4/2011	Killion et al.	D26/46
D641,901 S *	7/2011	Opolka	D26/49
D668,804 S *	10/2012	Maglica	D26/49
D670,844 S *	11/2012	von Waldthausen	D26/46
D685,940 S *	7/2013	Lee	D26/49

* cited by examiner

Primary Examiner — Ian Simmons

Assistant Examiner — Carissa C Fitts

(74) *Attorney, Agent, or Firm* — Cascio & Zervas

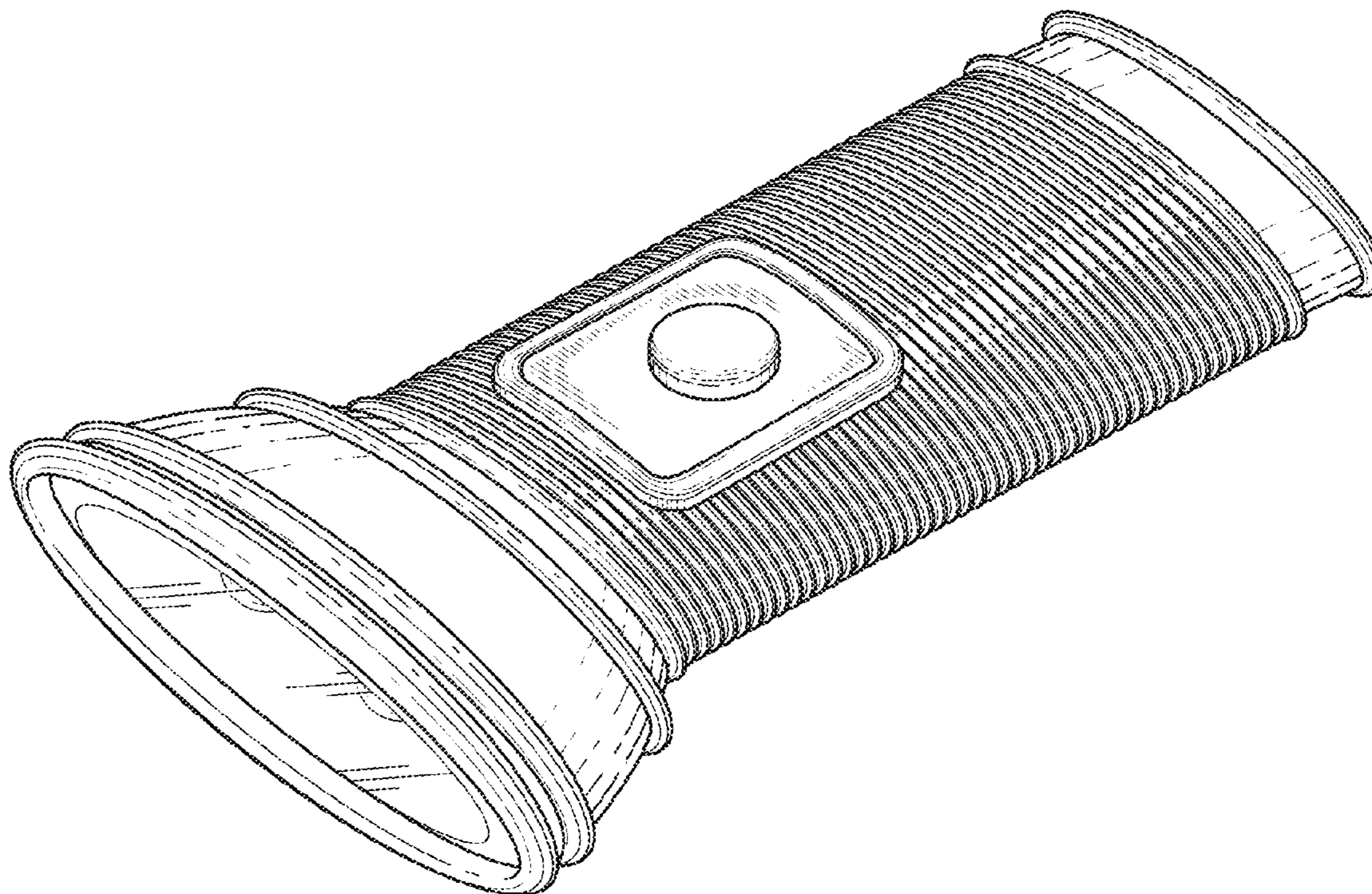
(57) **CLAIM**

The ornamental design for a flashlight, as shown and described.

DESCRIPTION

FIG. 1 is a perspective view of a flashlight showing my design;
FIG. 2 is a top plan view thereof;
FIG. 3 is a left side elevational view thereof;
FIG. 4 is a bottom plan view thereof;
FIG. 5 is a right side elevational view thereof;
FIG. 6 is a front elevational view thereof; and,
FIG. 7 is a rear elevational view thereof.

1 Claim, 4 Drawing Sheets



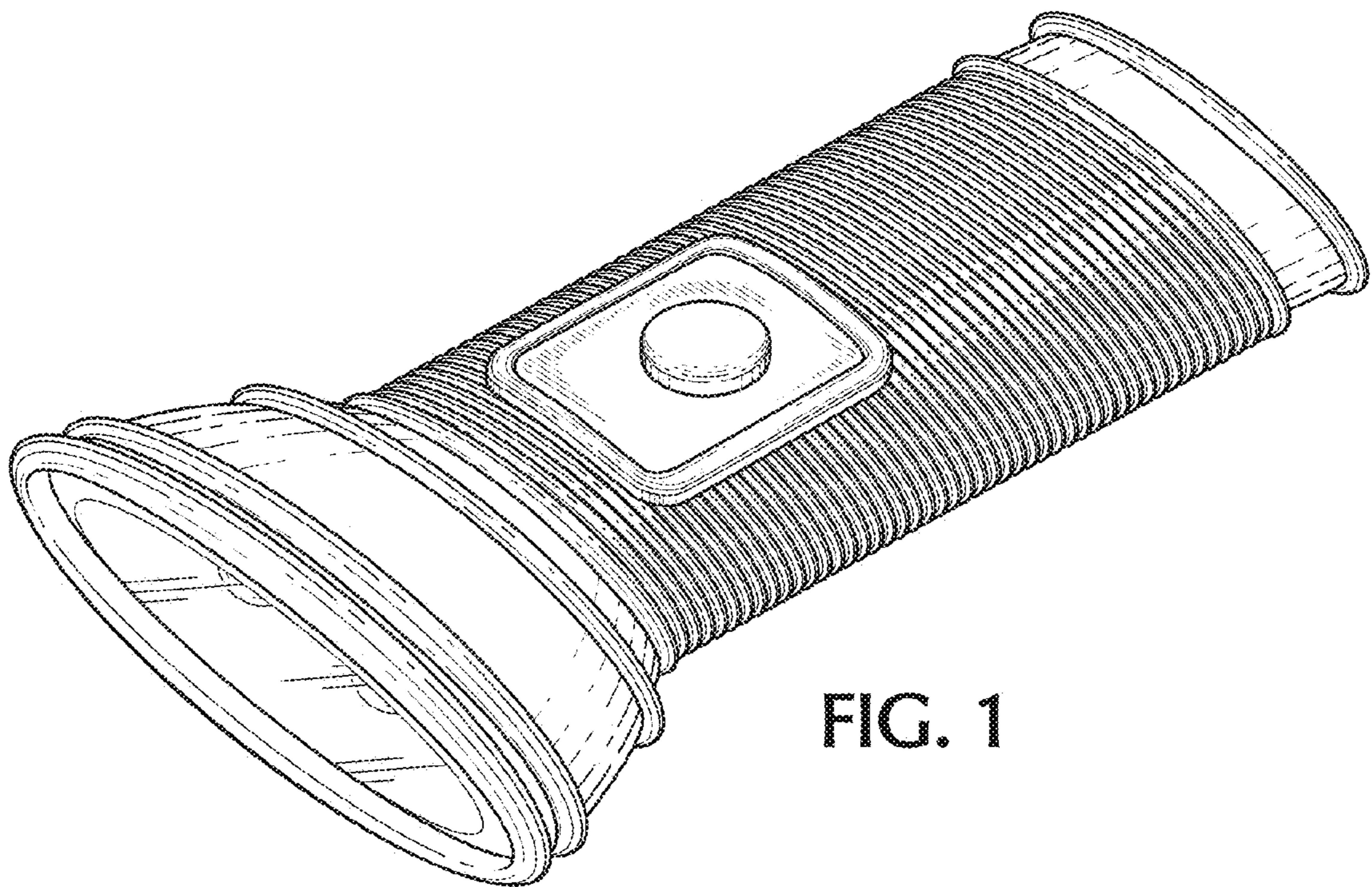


FIG. 1

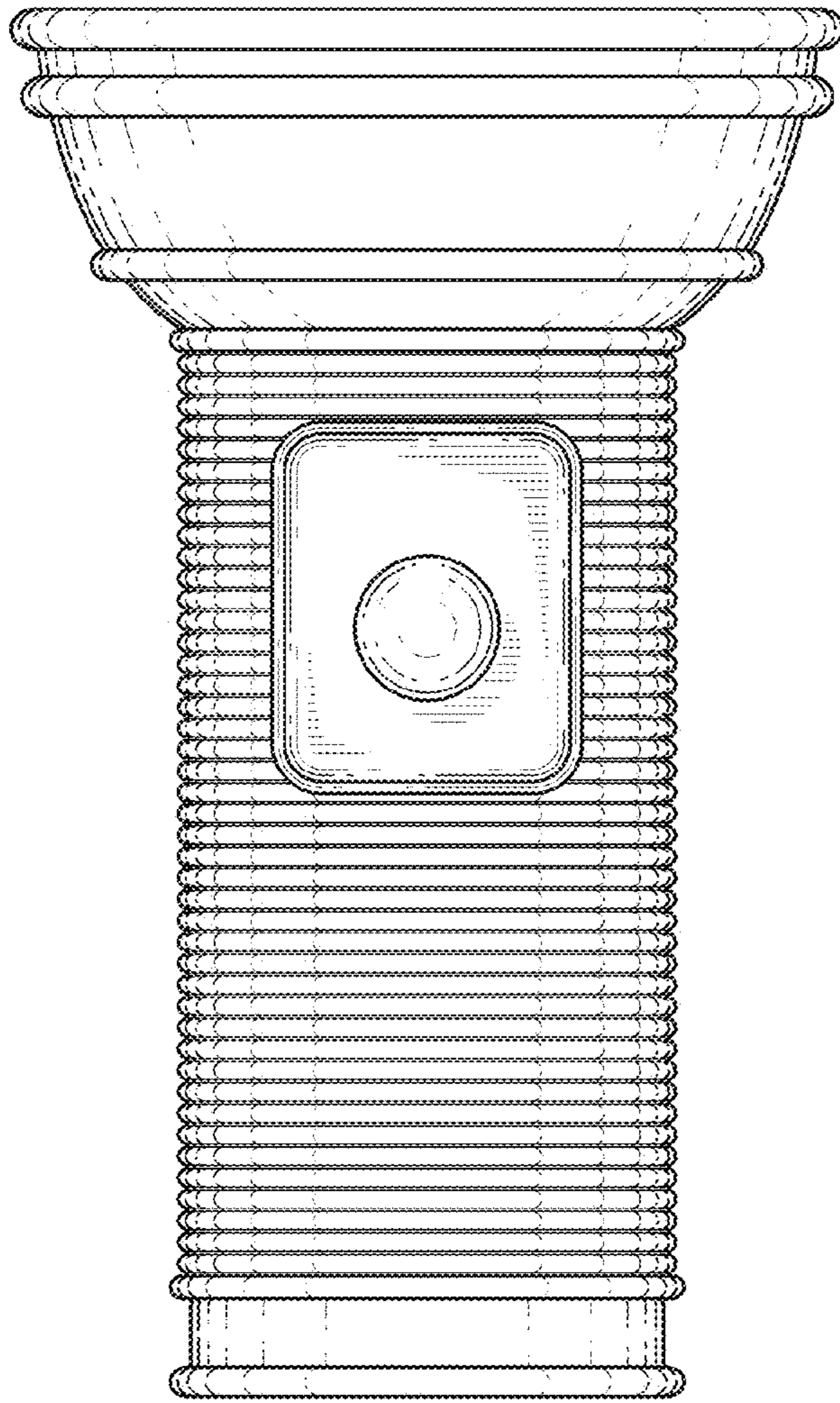


FIG. 2

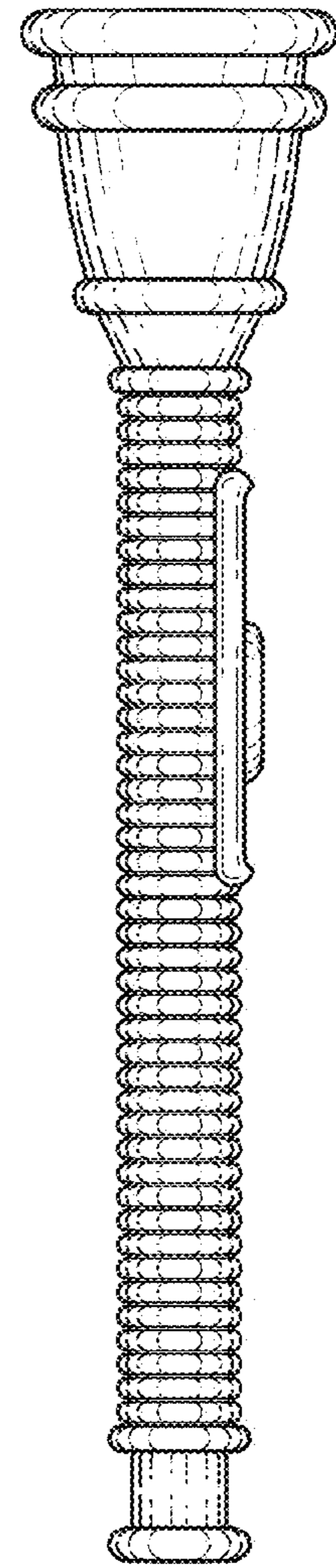


FIG. 3

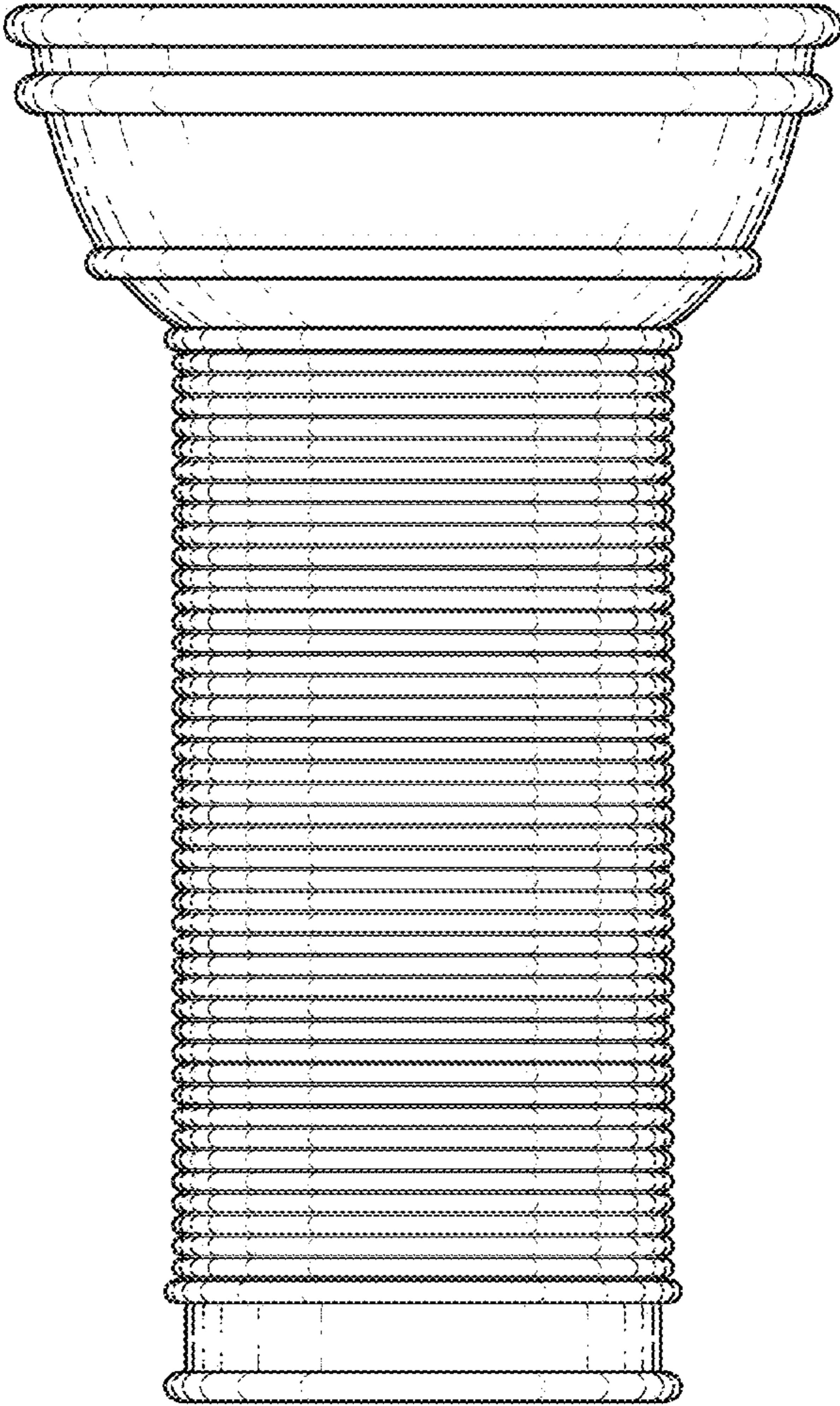


FIG. 4

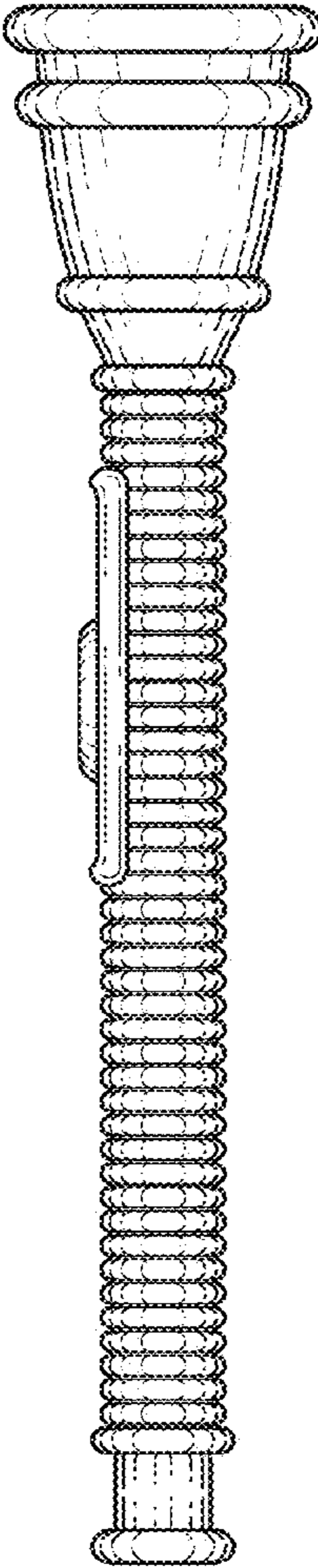


FIG. 5

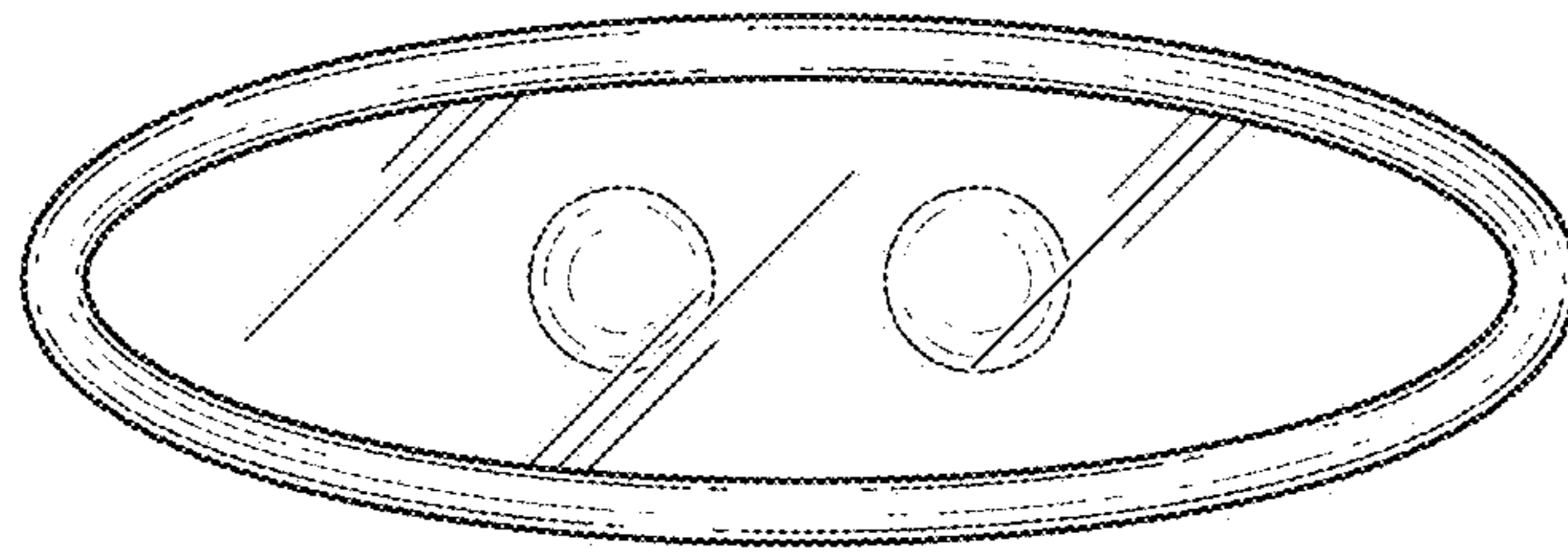


FIG. 6

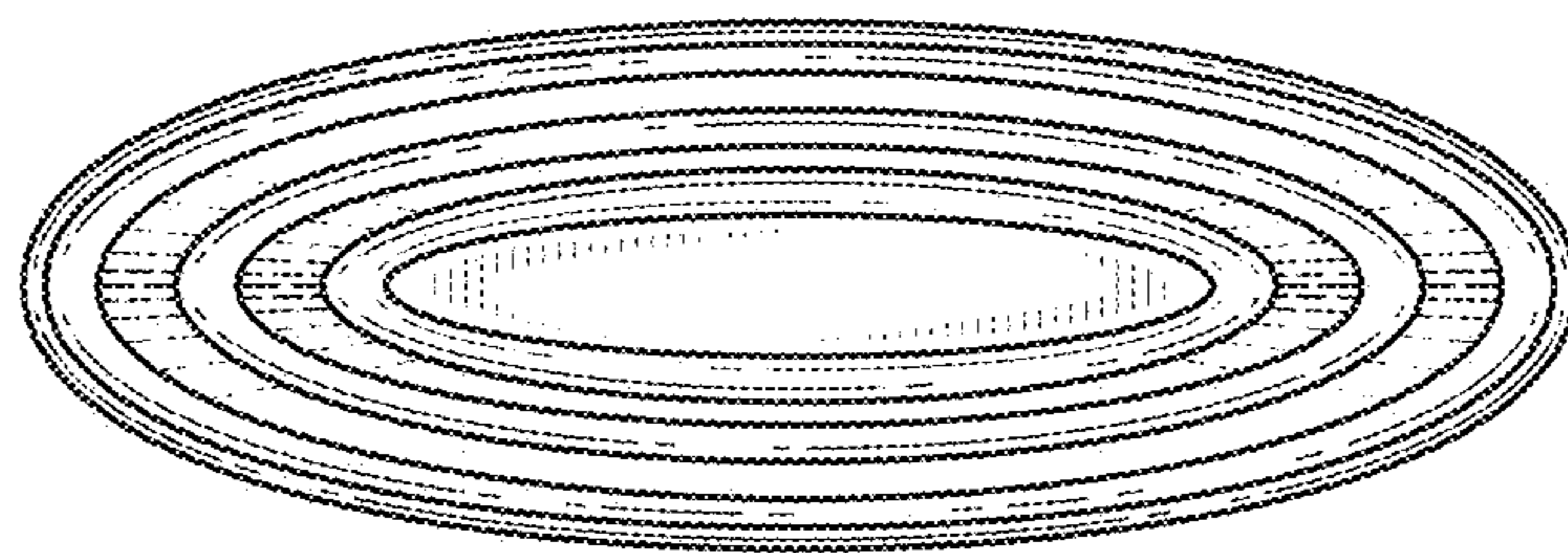


FIG. 7