



US00D693040S

(12) **United States Design Patent**
Svensson

(10) **Patent No.:** **US D693,040 S**

(45) **Date of Patent:** **** Nov. 5, 2013**

(54) **HEADLAMP WITH INTEGRAL STORAGE**

(75) Inventor: **Magnus Svensson**, Stockholm (SE)

(73) Assignee: **Silva Sweden AB**, Sollentuna (SE)

(**) Term: **14 Years**

(21) Appl. No.: **29/378,093**

(22) Filed: **Oct. 29, 2010**

(30) **Foreign Application Priority Data**

Apr. 29, 2010 (EM) 001702226

(51) **LOC (9) Cl.** **26-02**

(52) **U.S. Cl.**
USPC **D26/39**

(58) **Field of Classification Search**
USPC D26/39, 38, 37, 46, 51; 362/103–108,
362/157, 158, 184, 194–196, 202–208
See application file for complete search history.

(56) **References Cited**

U.S. PATENT DOCUMENTS

D470,615 S * 2/2003 Janice et al. D26/39
D554,782 S * 11/2007 Shiu D26/39
D560,008 S * 1/2008 Poon D26/39

D560,009 S * 1/2008 Spartano et al. D26/39
D573,736 S * 7/2008 Poon D26/39
D575,888 S * 8/2008 Shiu D26/39
D597,676 S * 8/2009 Copeland et al. D24/187

* cited by examiner

Primary Examiner — Ian Simmons

Assistant Examiner — Carissa C Fitts

(74) *Attorney, Agent, or Firm* — Renner, Otto, Boisselle & Sklar, LLP

(57) **CLAIM**

The ornamental design for a headlamp with integral storage, as shown and described.

DESCRIPTION

FIG. 1 is a front perspective view of a headlamp with integral storage where a flexible storage envelope is shown partially deployed;

FIG. 2 is a rear perspective view thereof;

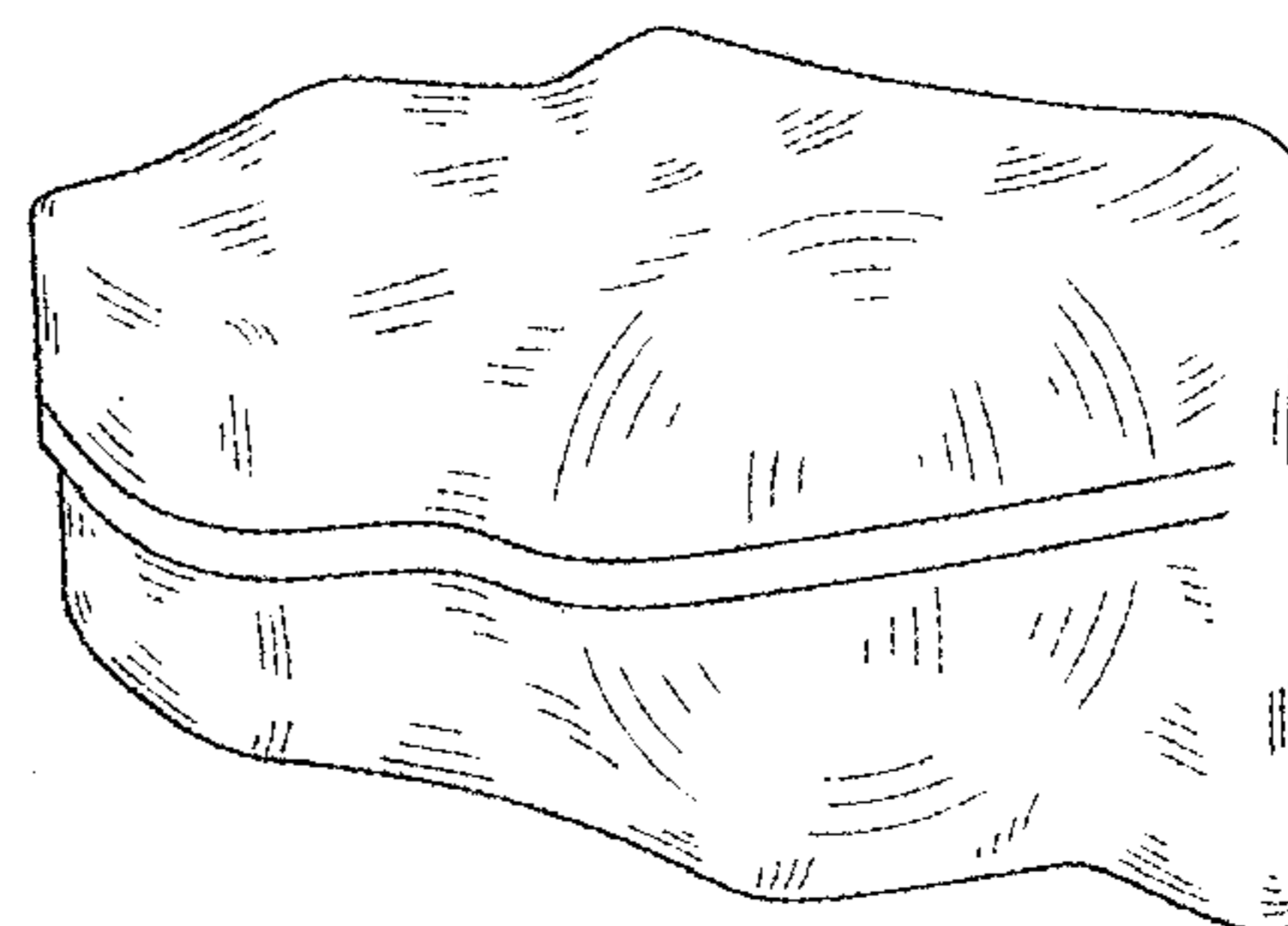
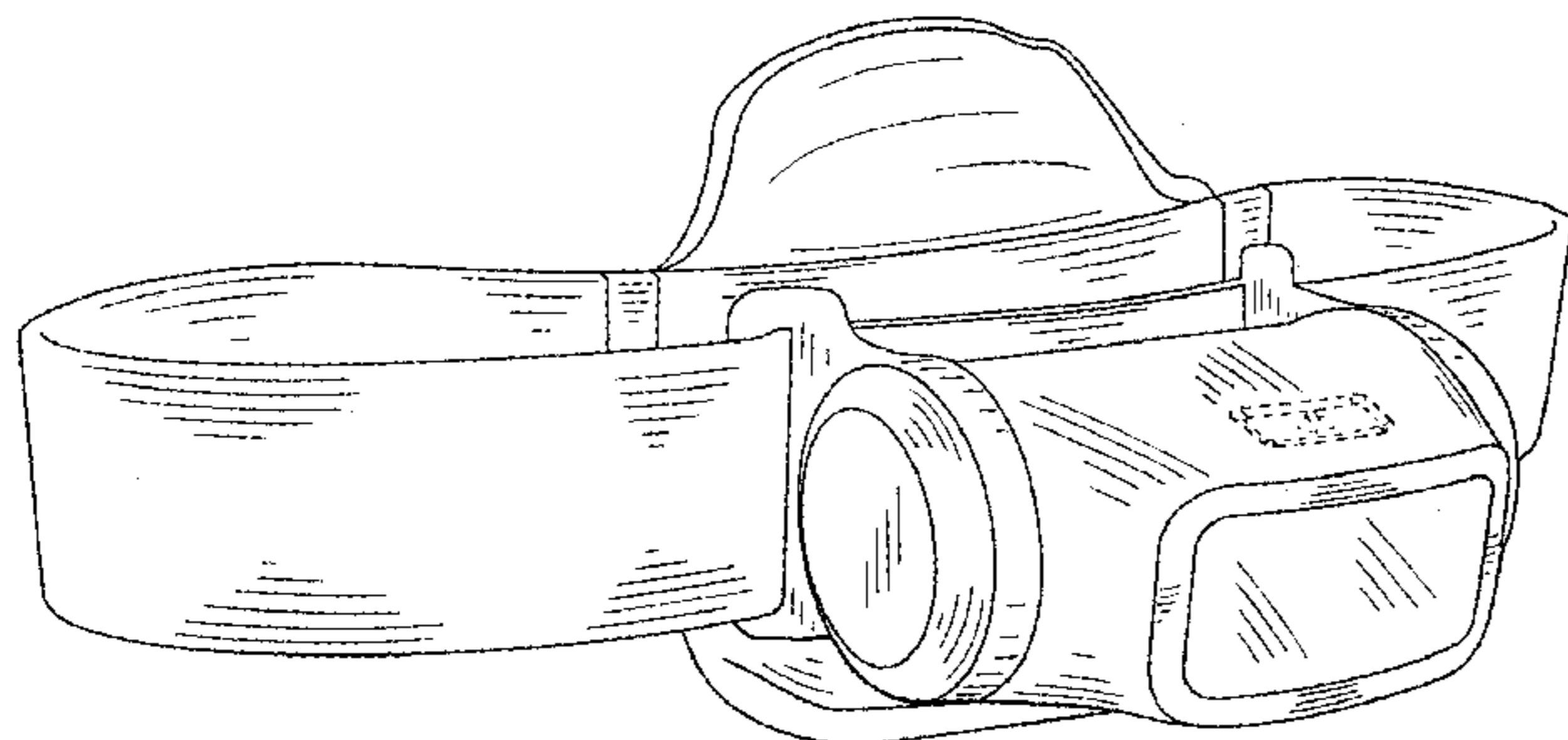
FIG. 3 is a front perspective view thereof with the storage envelope nearly enclosing the headlamp;

FIG. 4 is a front perspective view thereof with the storage envelope enclosing the headlamp; and,

FIG. 5 is a rear perspective view thereof.

The broken lines shown herein are for illustrative purposes only and form no part of the claimed design.

1 Claim, 3 Drawing Sheets



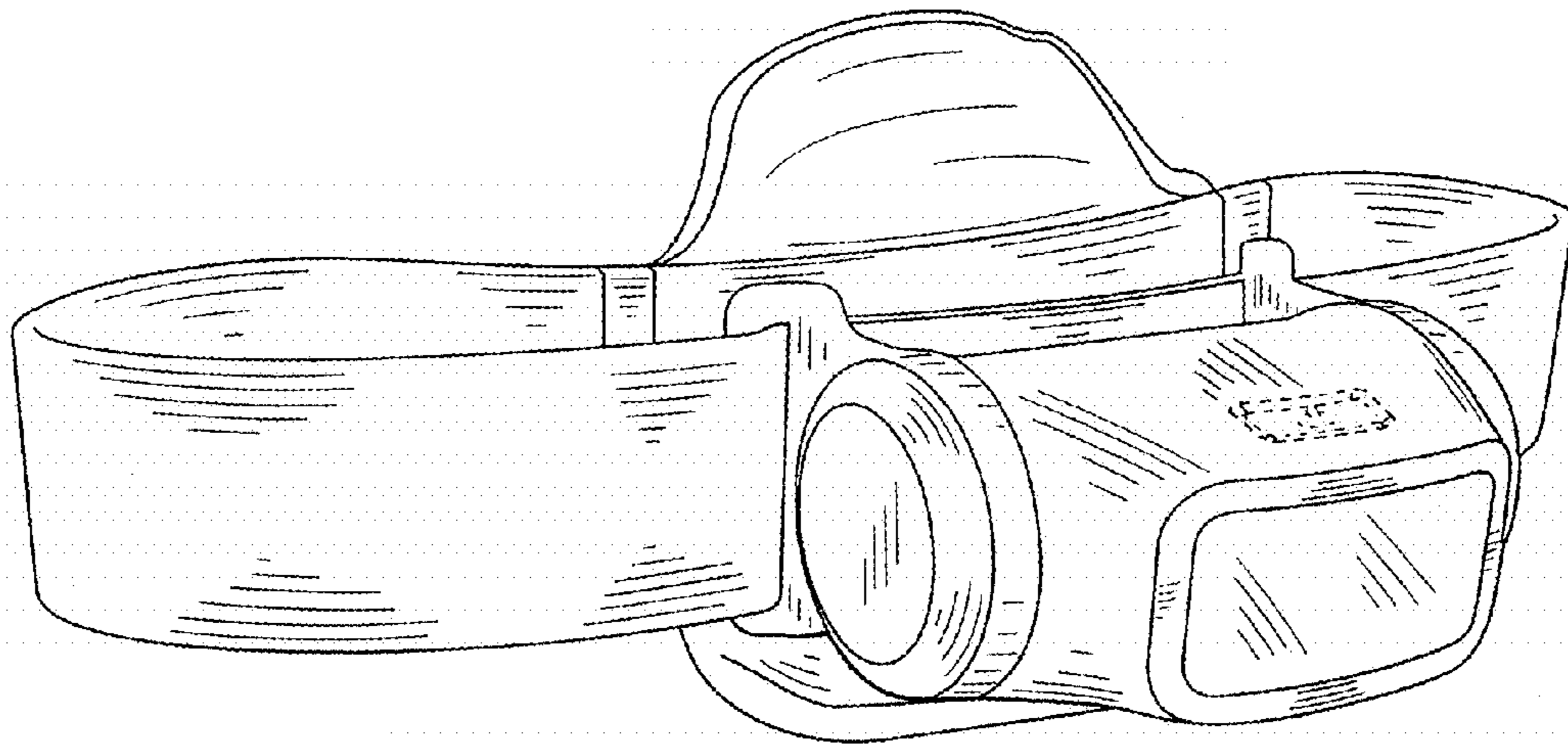


FIG. 1

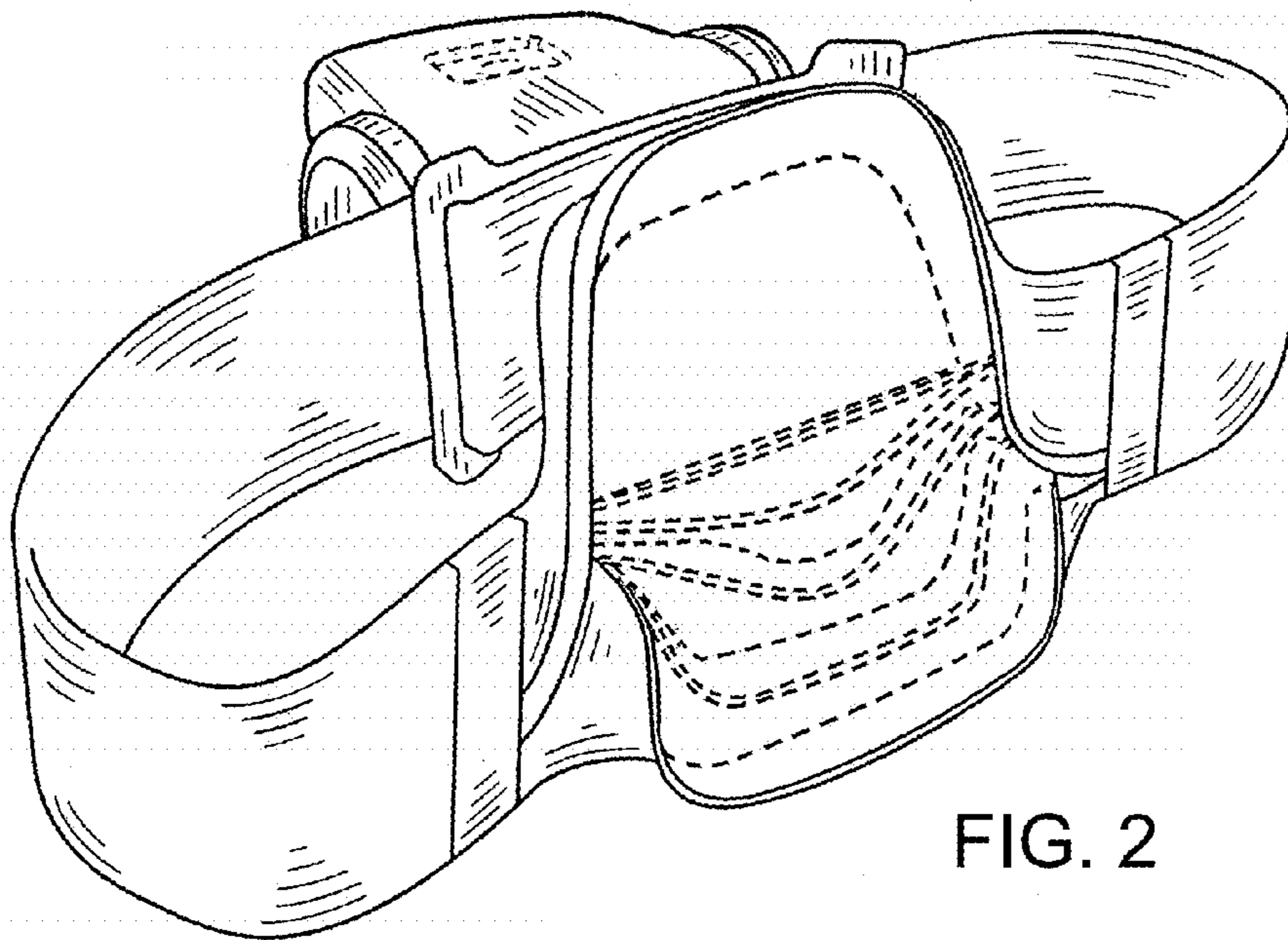


FIG. 2

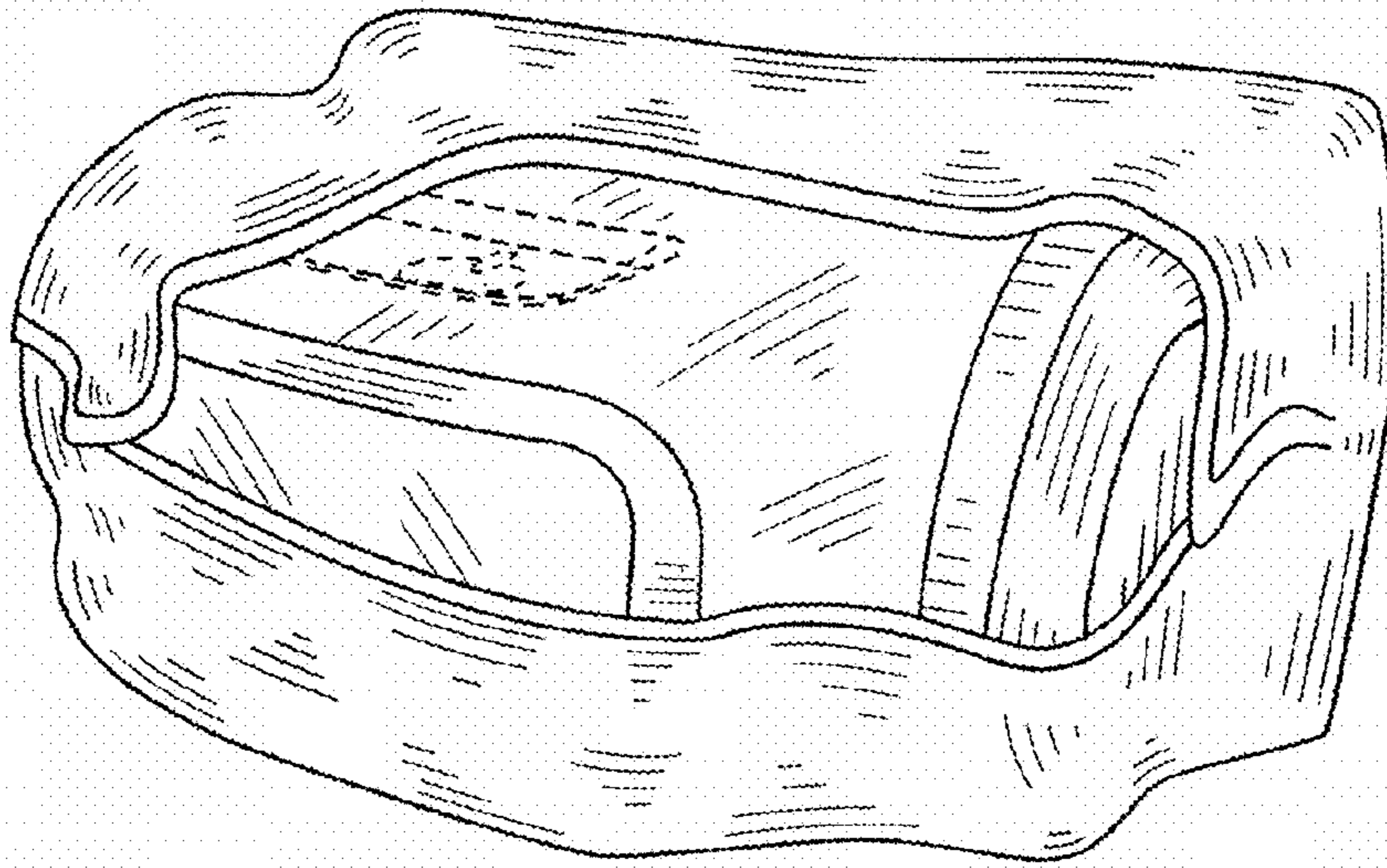


FIG. 3

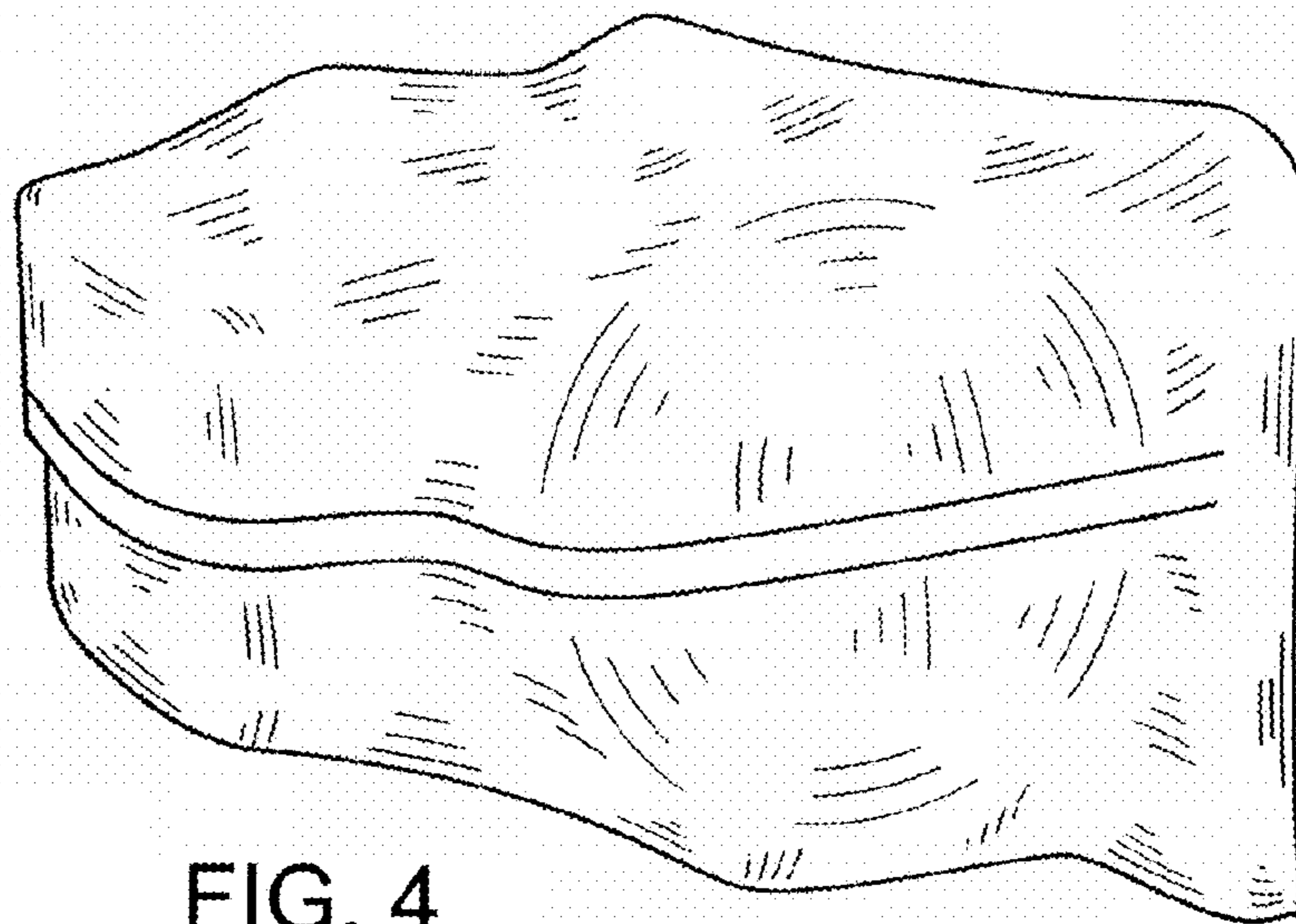


FIG. 4



FIG. 5