



US00D693039S

(12) **United States Design Patent**  
**Poon**

(10) **Patent No.:** **US D693,039 S**  
(45) **Date of Patent:** **\*\* Nov. 5, 2013**

(54) **LANTERN**

(75) **Inventor:** **Tit Wing Poon**, New Territories (HK)

(73) **Assignee:** **Flying Dragon Development Limited**,  
New Territories (HK)

(\*\*) **Term:** **14 Years**

(21) **Appl. No.:** **29/425,859**

(22) **Filed:** **Jun. 27, 2012**

(30) **Foreign Application Priority Data**

Feb. 21, 2012 (HK) ..... 1200278

(51) **LOC (9) Cl.** ..... **26-02**

(52) **U.S. Cl.**  
USPC ..... **D26/37**

(58) **Field of Classification Search**  
USPC ..... D26/37, 38, 40, 41, 42; 362/157, 158,  
362/171-174, 183, 184, 194-196, 200-208,  
362/253

See application file for complete search history.

(56) **References Cited**

**U.S. PATENT DOCUMENTS**

D234,264 S *	2/1975	Wan	.....	D26/42
D242,278 S *	11/1976	Zelina	.....	D26/42
D271,140 S *	10/1983	Thom	.....	D26/42
D290,516 S *	6/1987	Liu	.....	D26/42
D293,481 S *	12/1987	Ohashi	.....	D26/38
D354,054 S *	1/1995	Shitama	.....	D14/129
D371,356 S *	7/1996	Maruyama	.....	D14/129
D376,023 S *	11/1996	Yuen	.....	D26/38

D376,864 S *	12/1996	Yuen	.....	D26/50
D395,721 S *	6/1998	Wan	.....	D26/38
D418,237 S *	12/1999	Yuen	.....	D26/42
D423,127 S *	4/2000	Yuen	.....	D26/42
D425,640 S *	5/2000	Yuen	.....	D26/38
D426,006 S *	5/2000	Yuen	.....	D26/42
D428,172 S *	7/2000	Yuen	.....	D26/38
D428,174 S *	7/2000	Yuen	.....	D26/42
D438,995 S *	3/2001	Yuen	.....	D26/38
D480,823 S *	10/2003	Yuen	.....	D26/38
D487,162 S *	2/2004	Lap Hon	.....	D26/37

\* cited by examiner

*Primary Examiner* — Stella Reid

*Assistant Examiner* — Carissa C Fitts

(74) *Attorney, Agent, or Firm* — Intellectual Property Law Group LLP

(57) **CLAIM**

The ornamental design for a lantern, as shown and described.

**DESCRIPTION**

FIG. 1 is a front, right perspective view of a lantern, embodying my new design;

FIG. 2 is a front, left perspective view thereof;

FIG. 3 is a rear perspective view thereof;

FIG. 4 is a top plan view thereof;

FIG. 5 is a bottom plan view thereof;

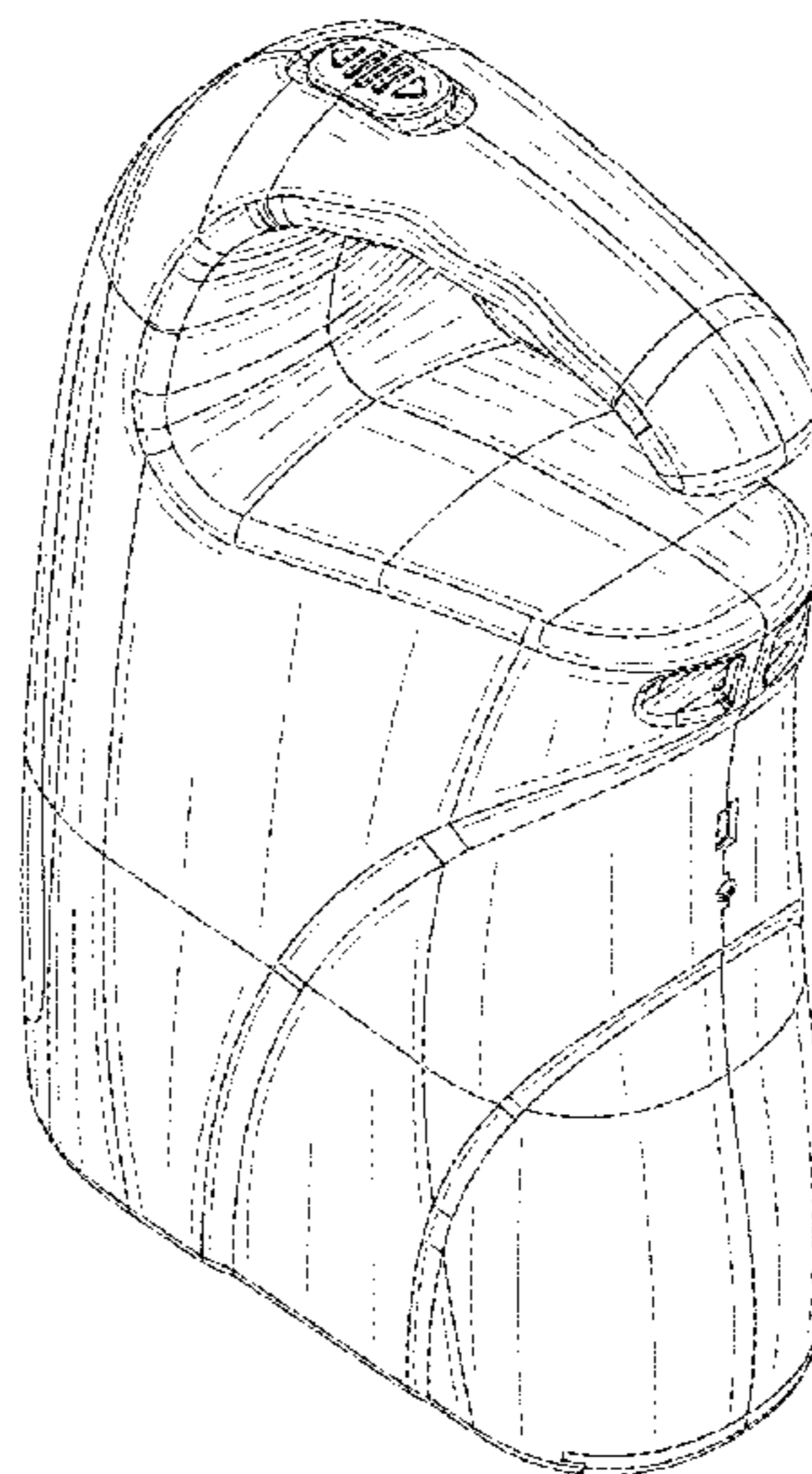
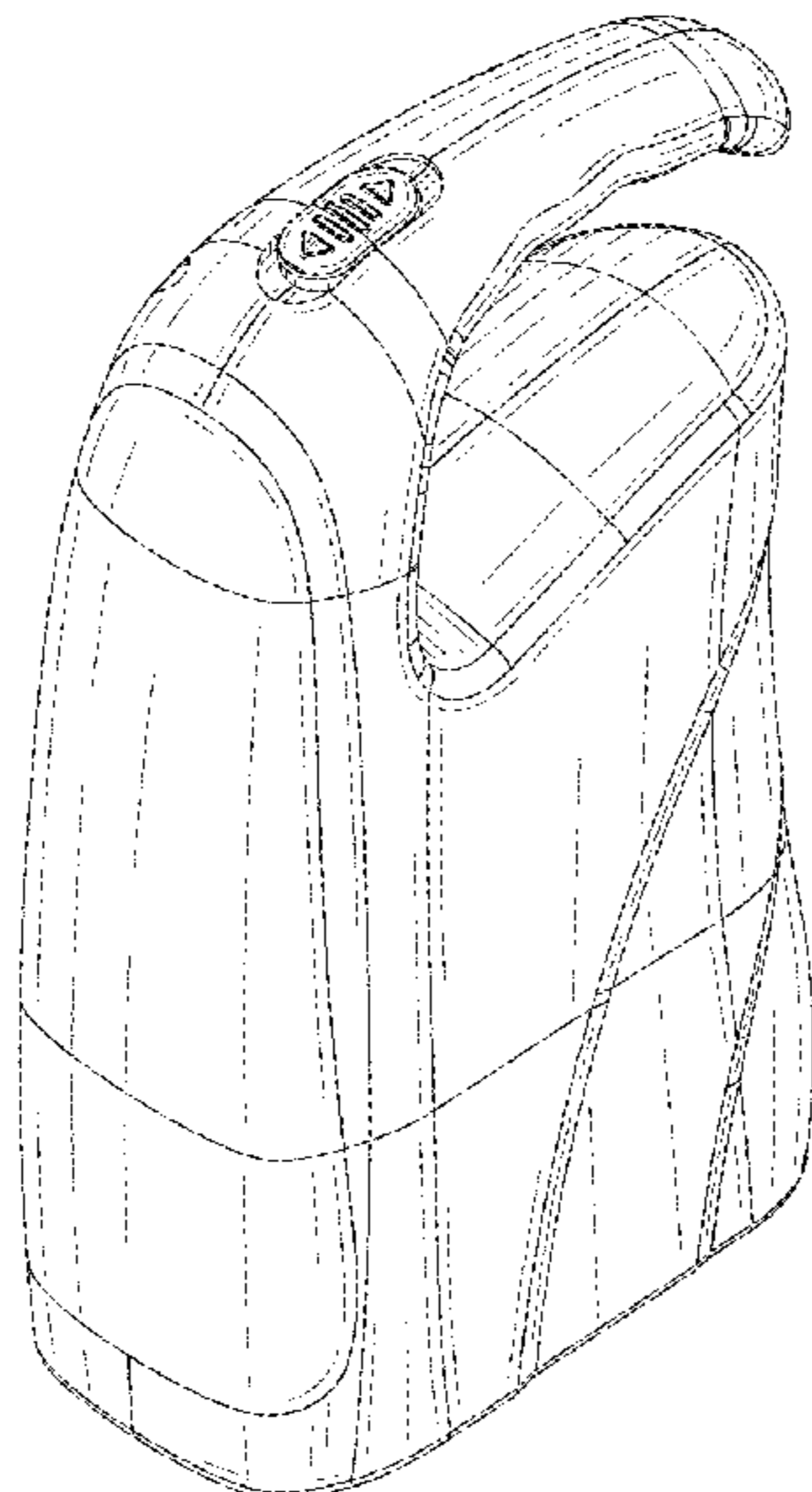
FIG. 6 is a right side elevational view thereof;

FIG. 7 is a left side elevational view thereof;

FIG. 8 is a rear elevational view thereof; and,

FIG. 9 is a front elevational view thereof.

**1 Claim, 4 Drawing Sheets**



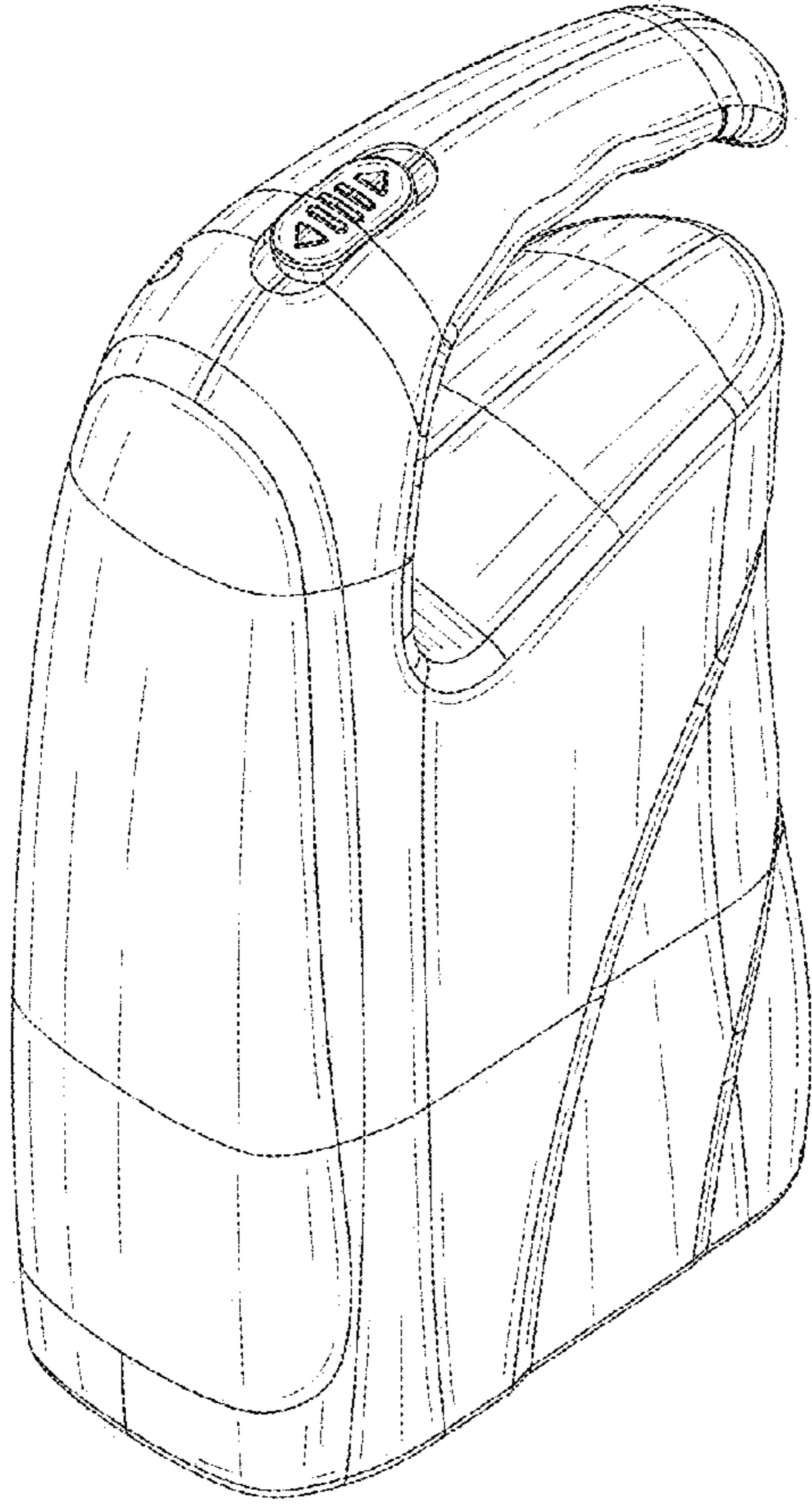


FIG. 1

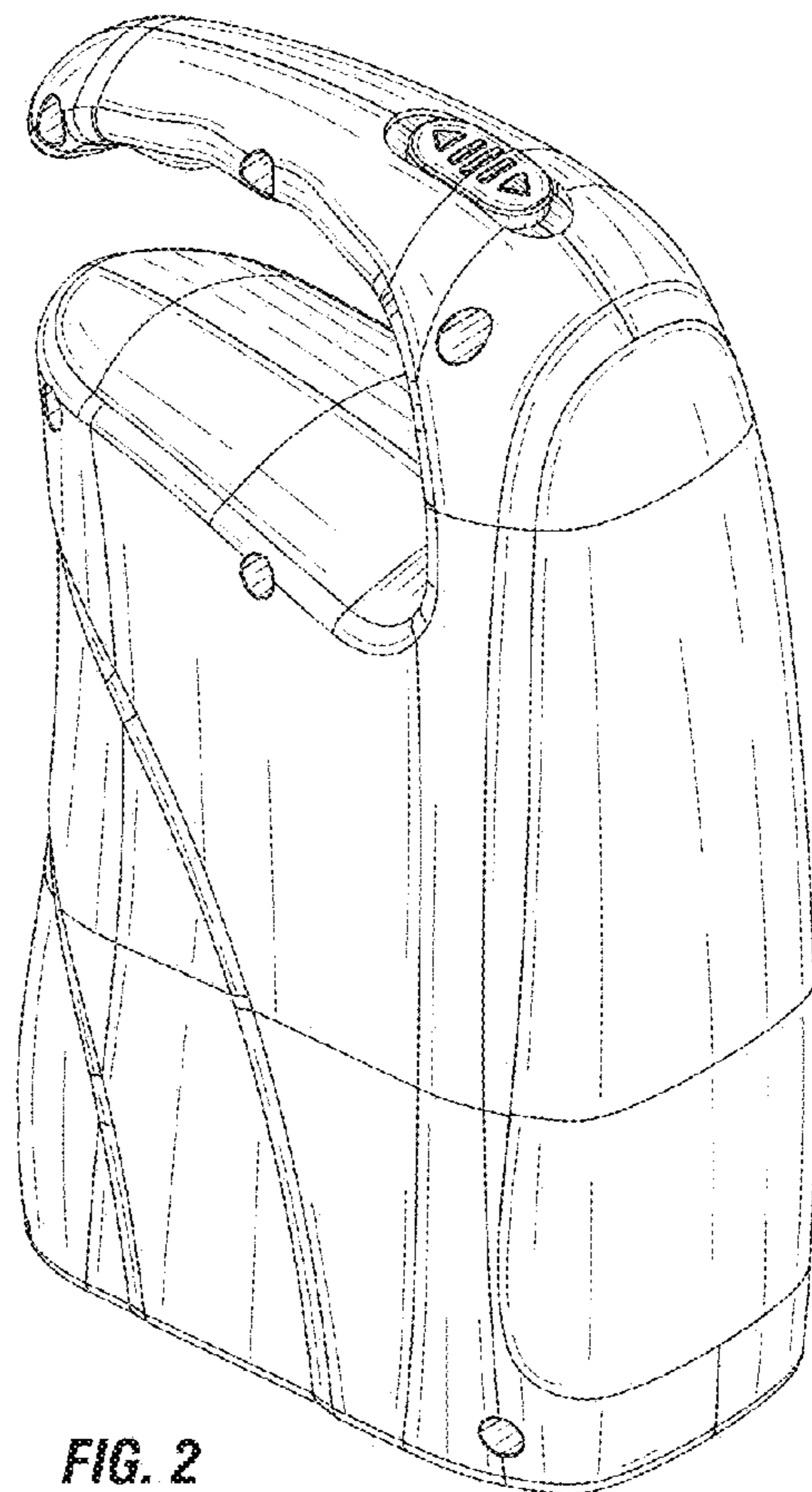


FIG. 2

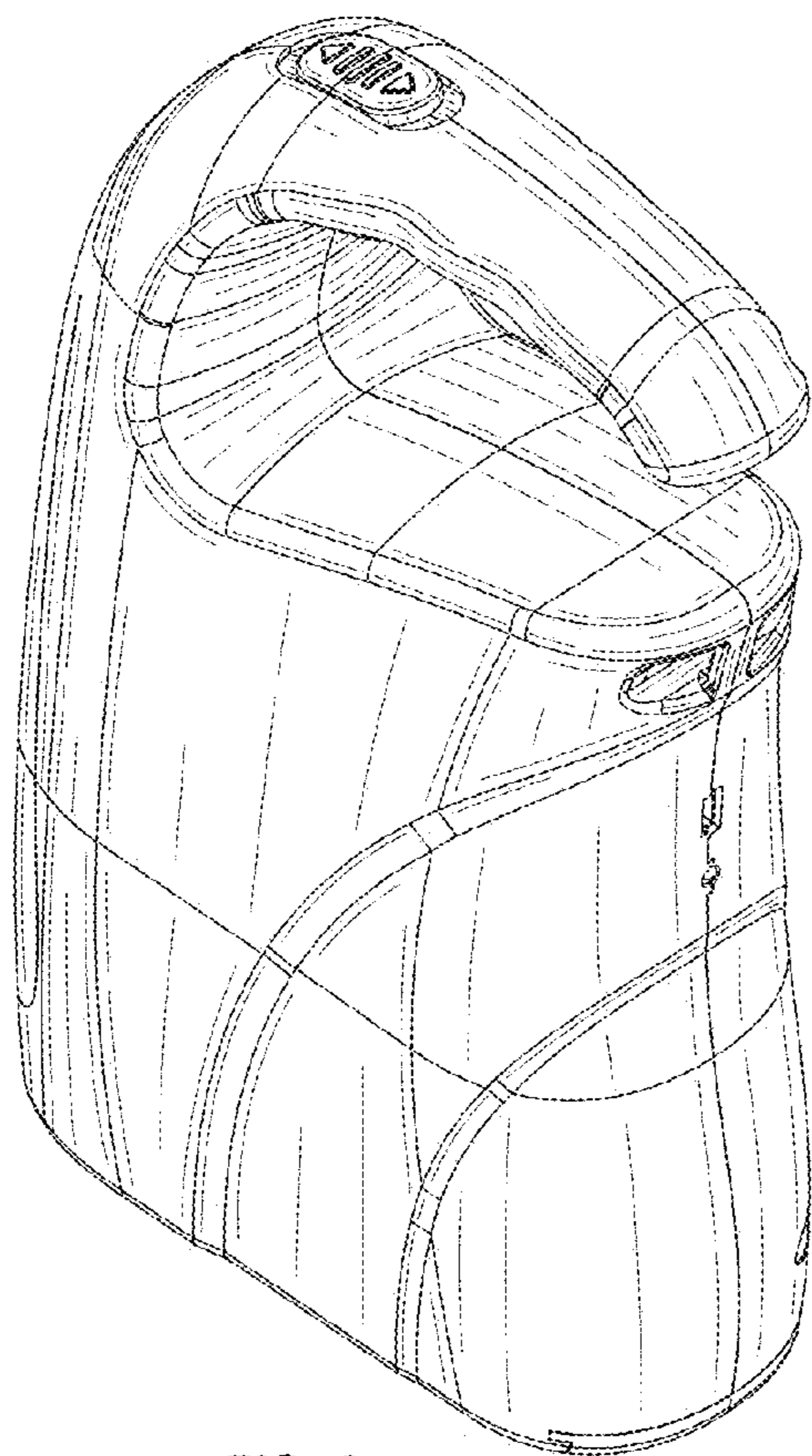


FIG. 3

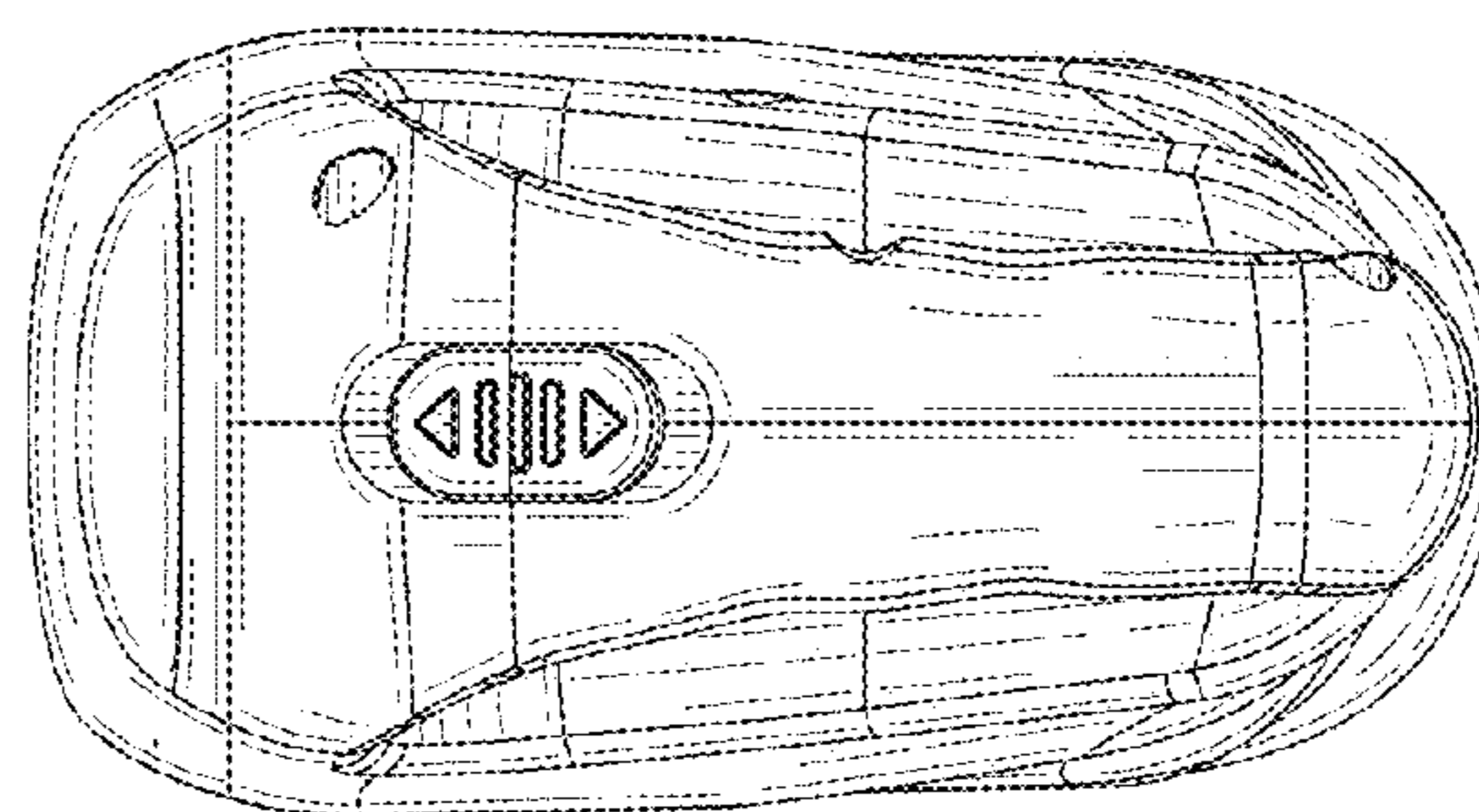


FIG. 4

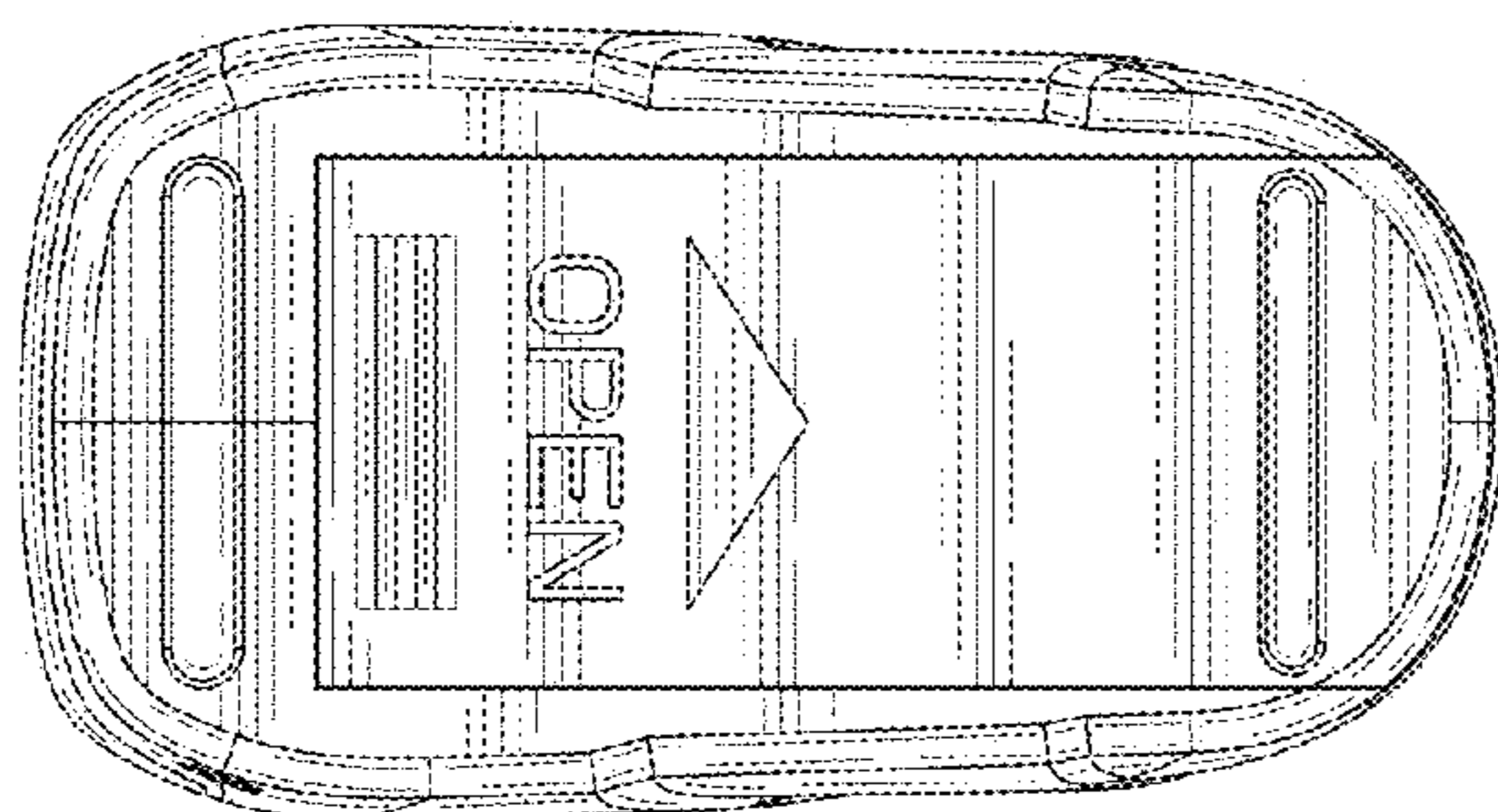


FIG. 5

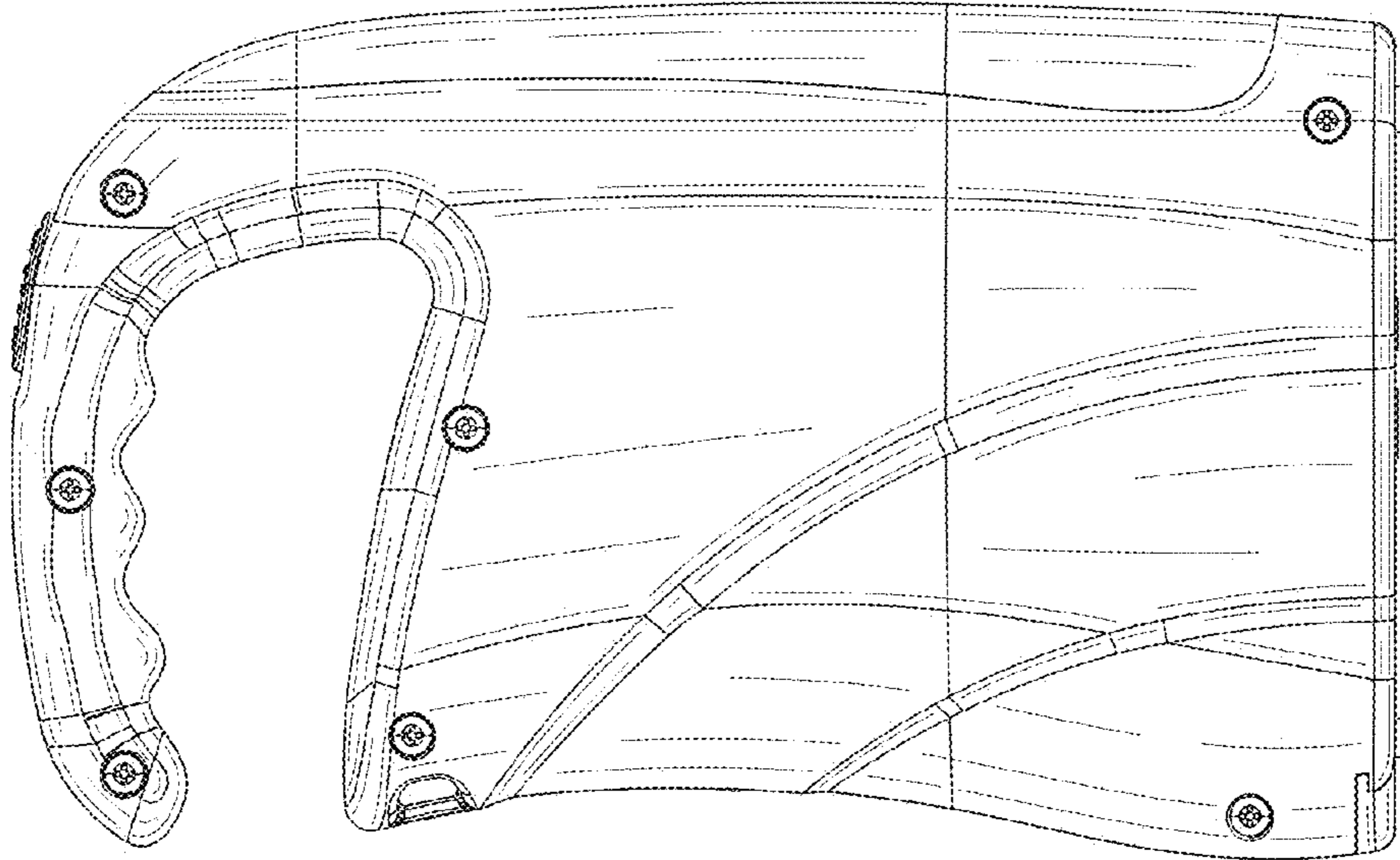


FIG. 7

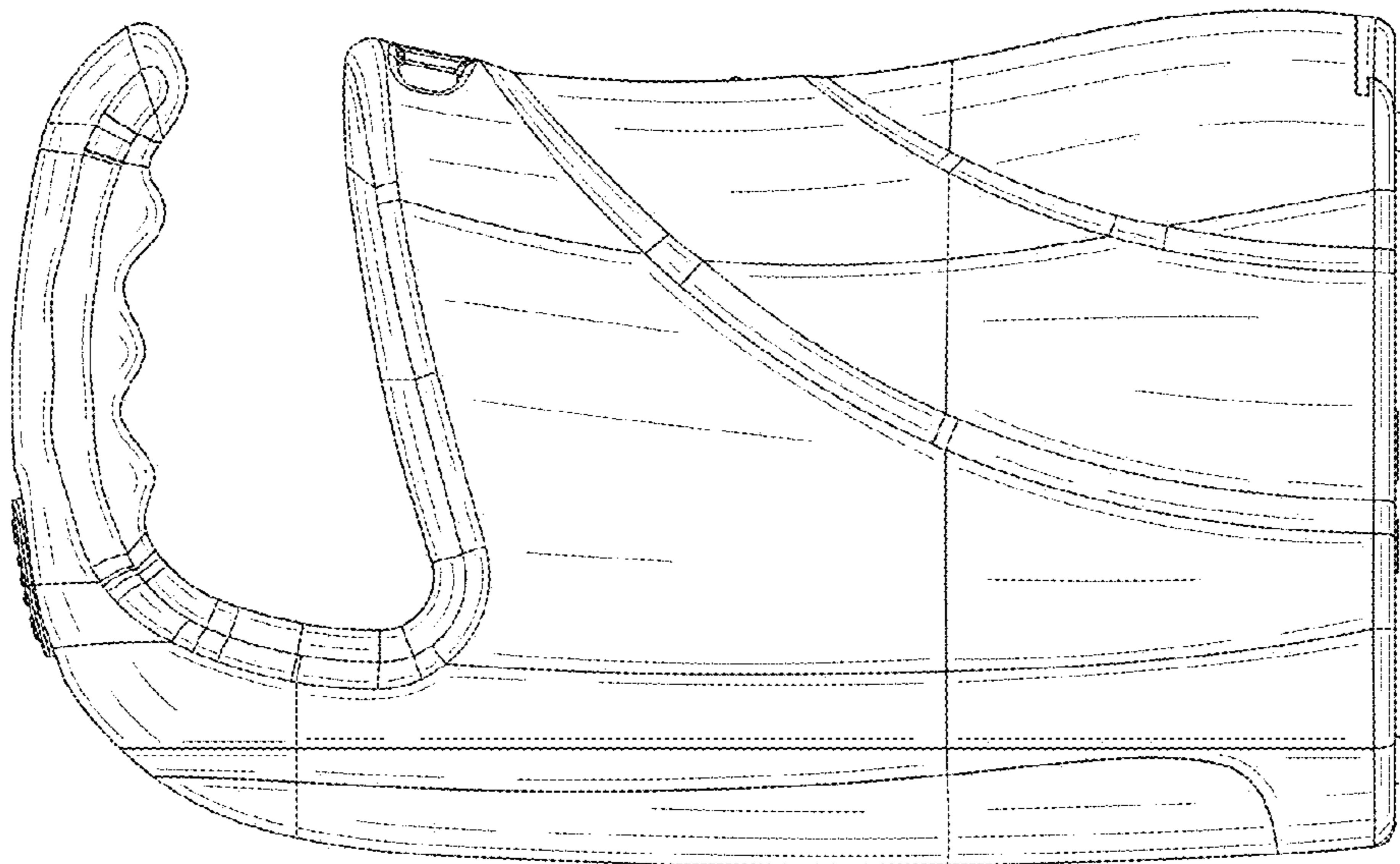
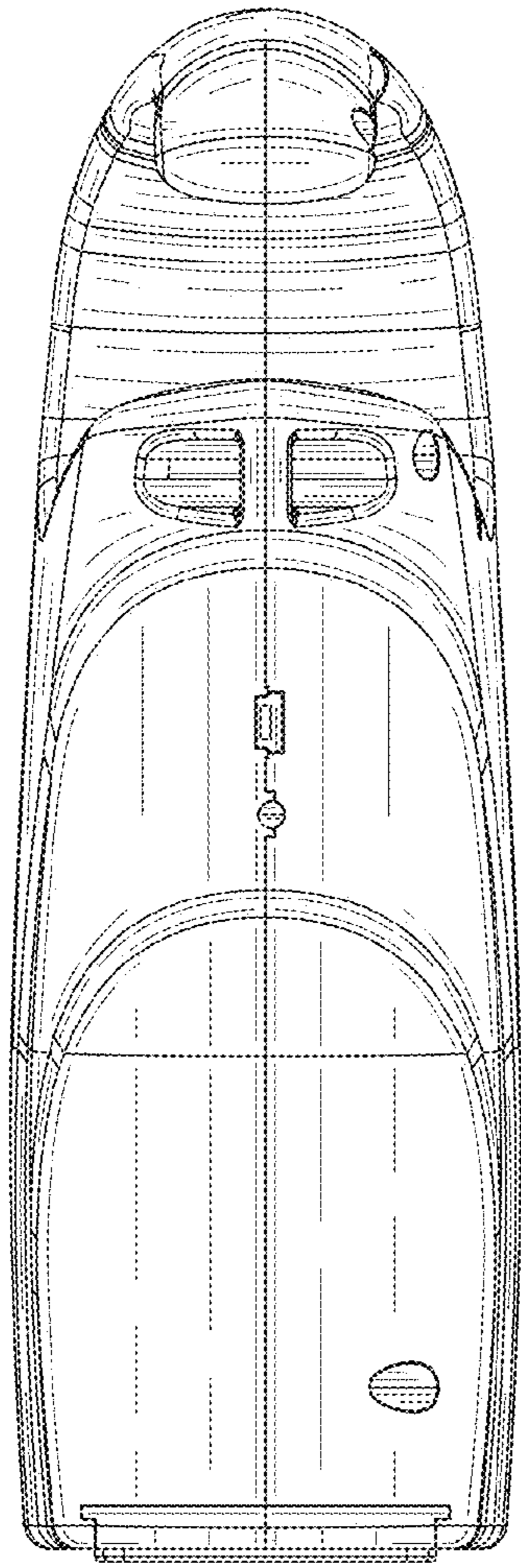
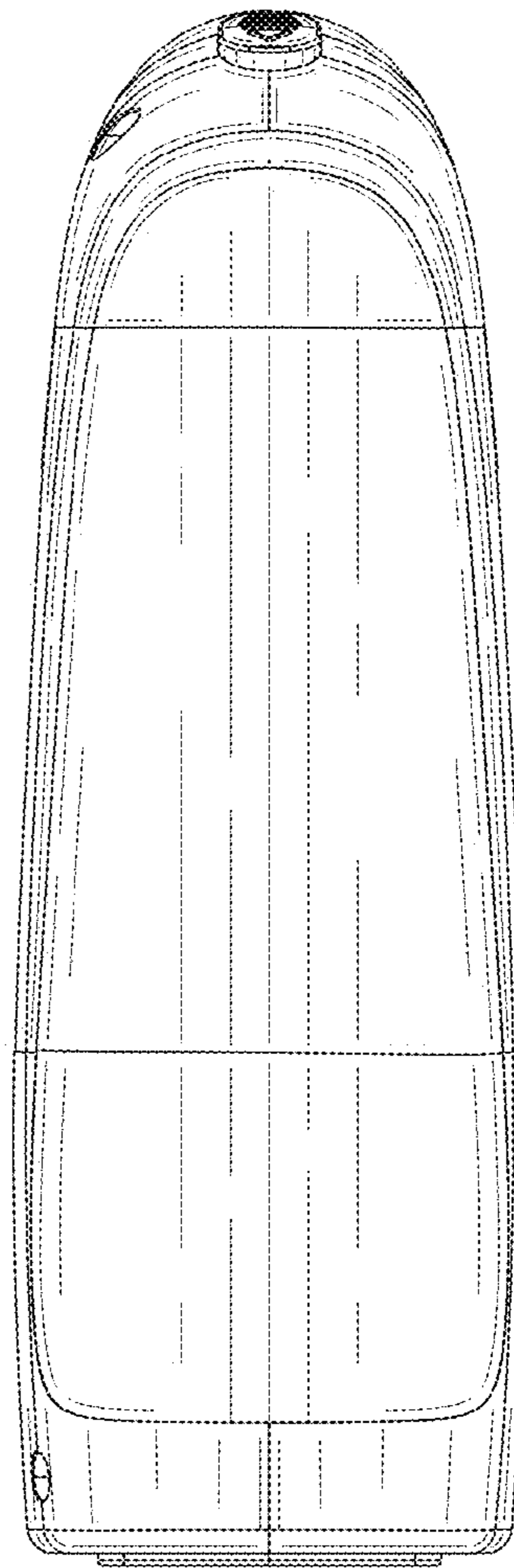


FIG. 6



**FIG. 8**



**FIG. 9**