

US00D693038S

(12) **United States Design Patent**
Kojima et al.

(10) **Patent No.:** **US D693,038 S**

(45) **Date of Patent:** **** Nov. 5, 2013**

(54) **REAR COMBINATION LAMP FOR MOTOR SCOOTERS**

(71) Applicant: **Honda Motor Co., Ltd.**, Tokyo (JP)

(72) Inventors: **Tetsuo Kojima**, Wako (JP); **Kenji Shimizu**, Wako (JP)

(73) Assignee: **Honda Motor Co., Ltd.**, Tokyo (JP)

(**) Term: **14 Years**

(21) Appl. No.: **29/445,381**

(22) Filed: **Feb. 11, 2013**

(30) **Foreign Application Priority Data**

Aug. 9, 2012 (JP) 2012-019275

(51) **LOC (9) Cl.** **26-06**

(52) **U.S. Cl.**
USPC **D26/28**

(58) **Field of Classification Search**
USPC D26/28-36; 362/459-468, 475-478,
362/485-487

See application file for complete search history.

(56) **References Cited**

U.S. PATENT DOCUMENTS

D596,767 S *	7/2009	Idei	D26/28
D600,374 S *	9/2009	Brew et al.	D26/28
D601,728 S *	10/2009	Kogo et al.	D26/28
D605,793 S *	12/2009	Weil	D26/28
D617,021 S *	6/2010	Ishiguri et al.	D26/28

* cited by examiner

Primary Examiner — Marcus Jackson

(74) *Attorney, Agent, or Firm* — Westerman, Hattori, Daniels & Adrian, LLP

(57) **CLAIM**

The ornamental design for a rear combination lamp for motor scooters, as shown and described.

DESCRIPTION

FIG. 1: a front view of the rear combination lamp;
FIG. 2: a plan view of the rear combination lamp;
FIG. 3: a bottom view of the rear combination lamp;
FIG. 4: a right side view of the rear combination lamp;
FIG. 5: a left side view of the rear combination lamp;
FIG. 6: a perspective view of the rear combination lamp as seen from the right front side; and,
FIG. 7: a perspective view of the rear combination lamp as seen from the left front side.

The broken lines illustrate environmental structure only and form no part of the claimed design.

1 Claim, 3 Drawing Sheets

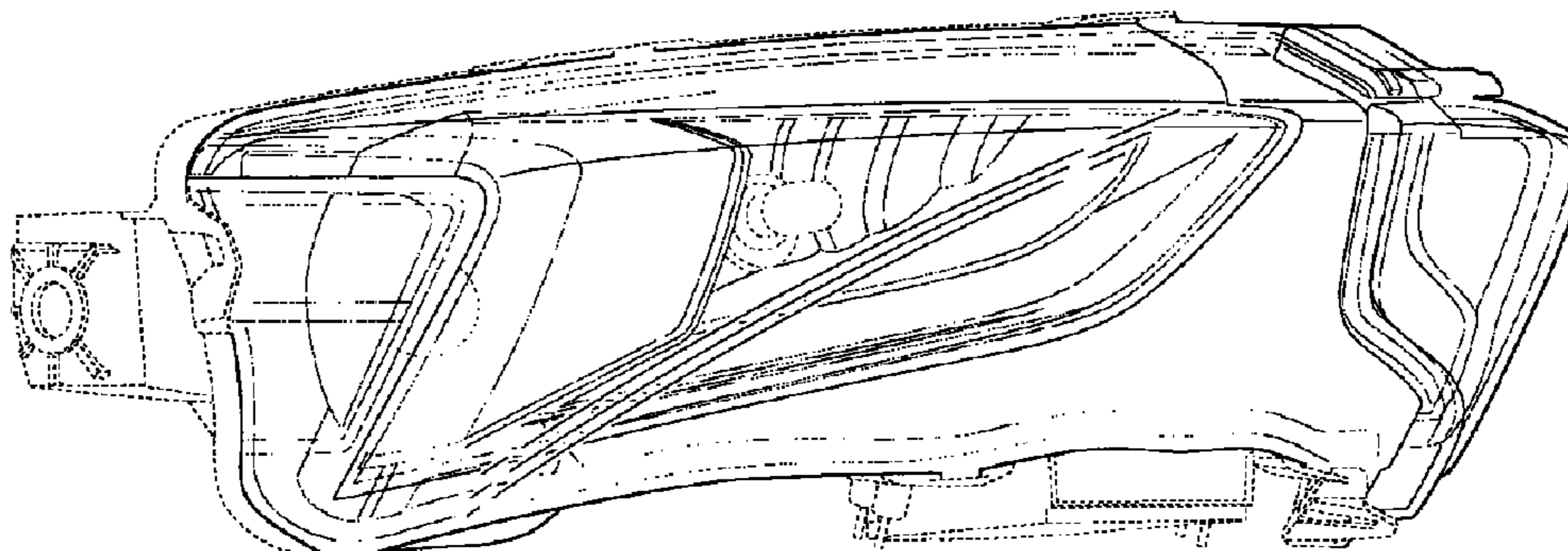
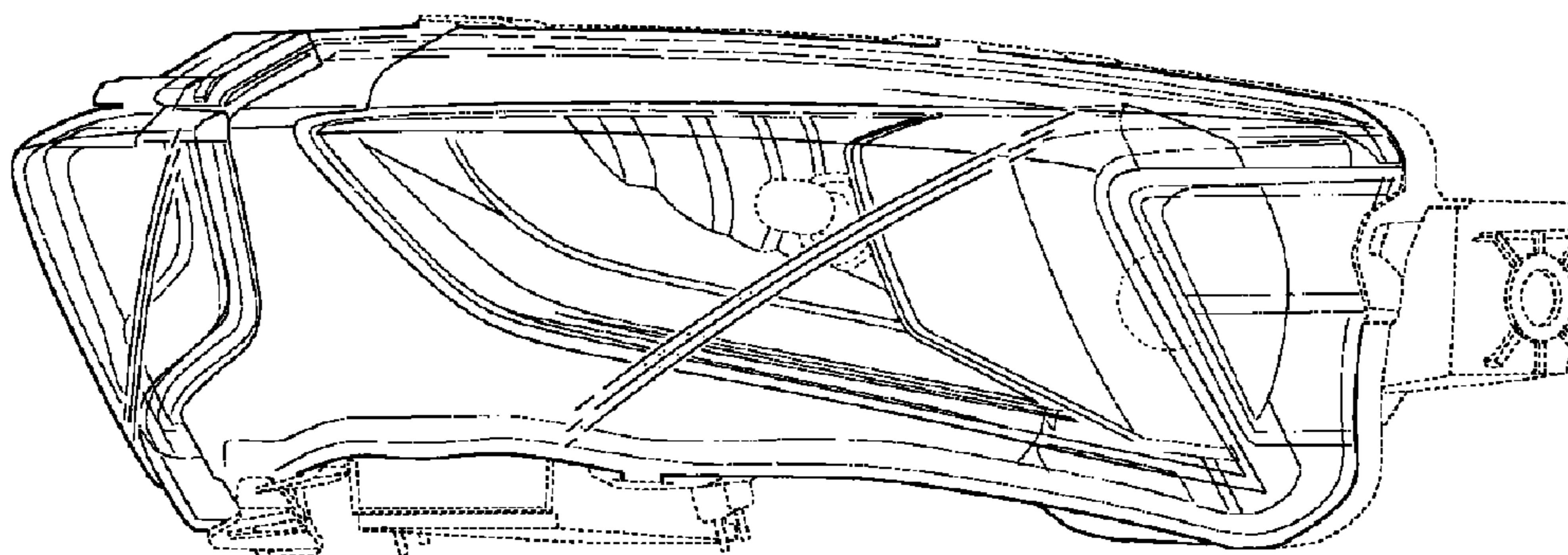


FIG.1

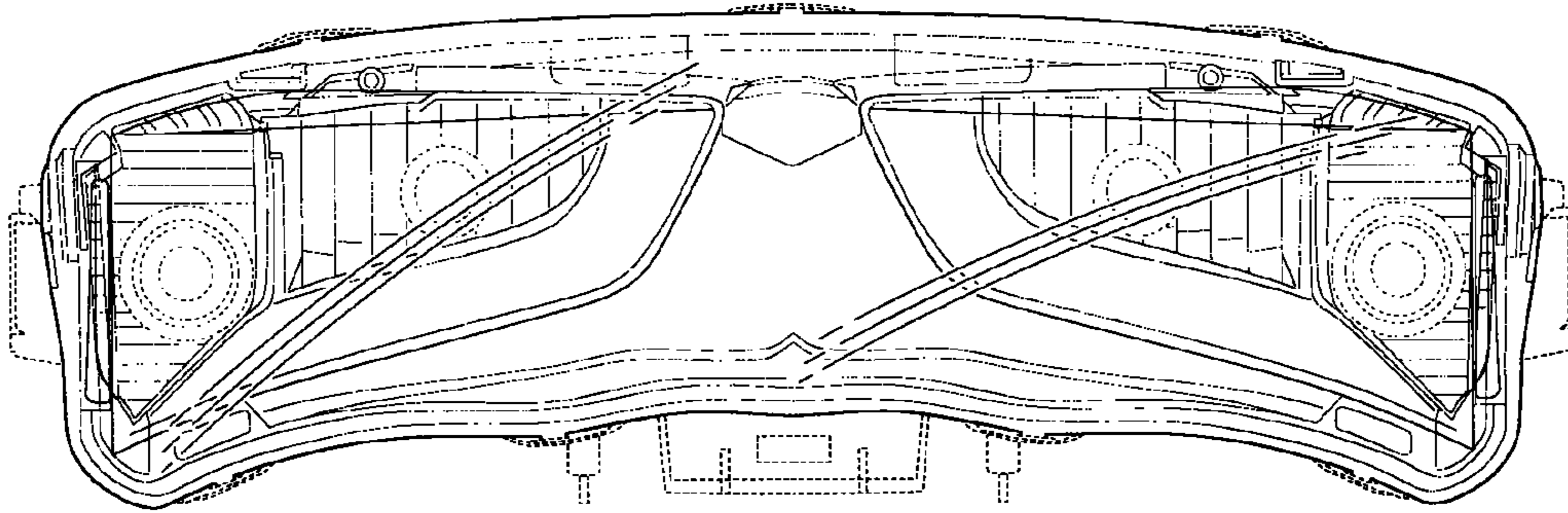


FIG.2

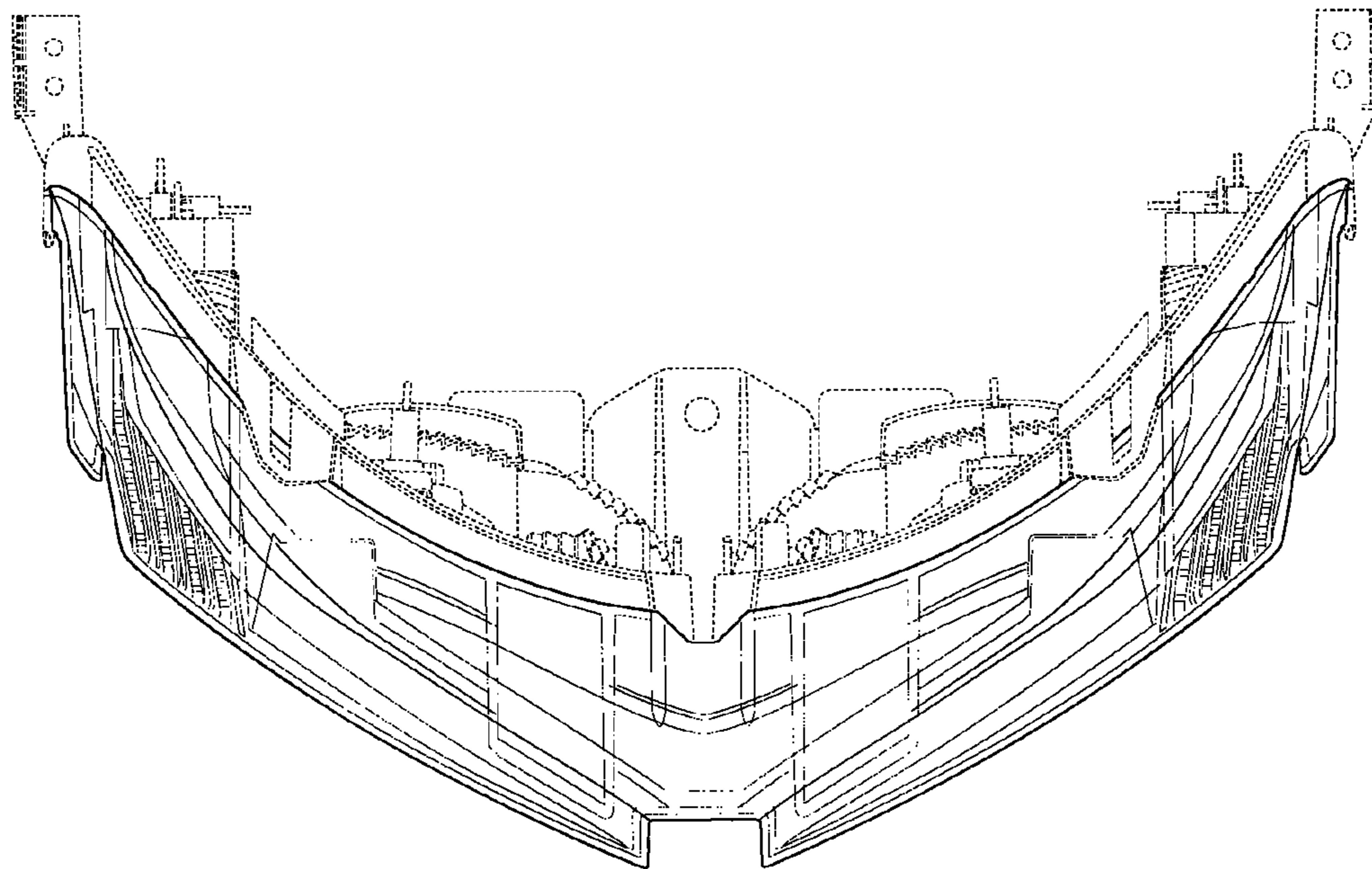


FIG.3

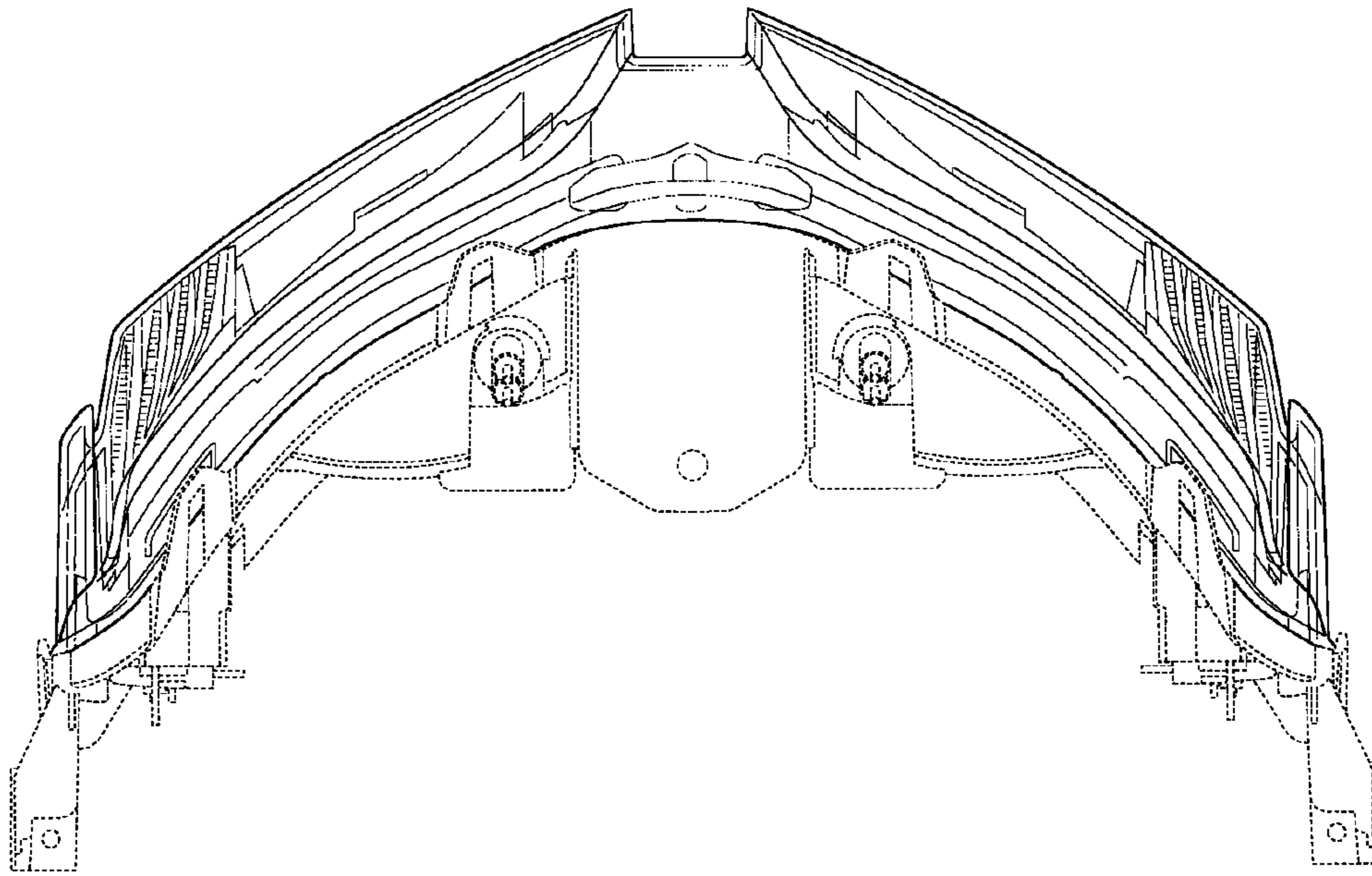


FIG.4

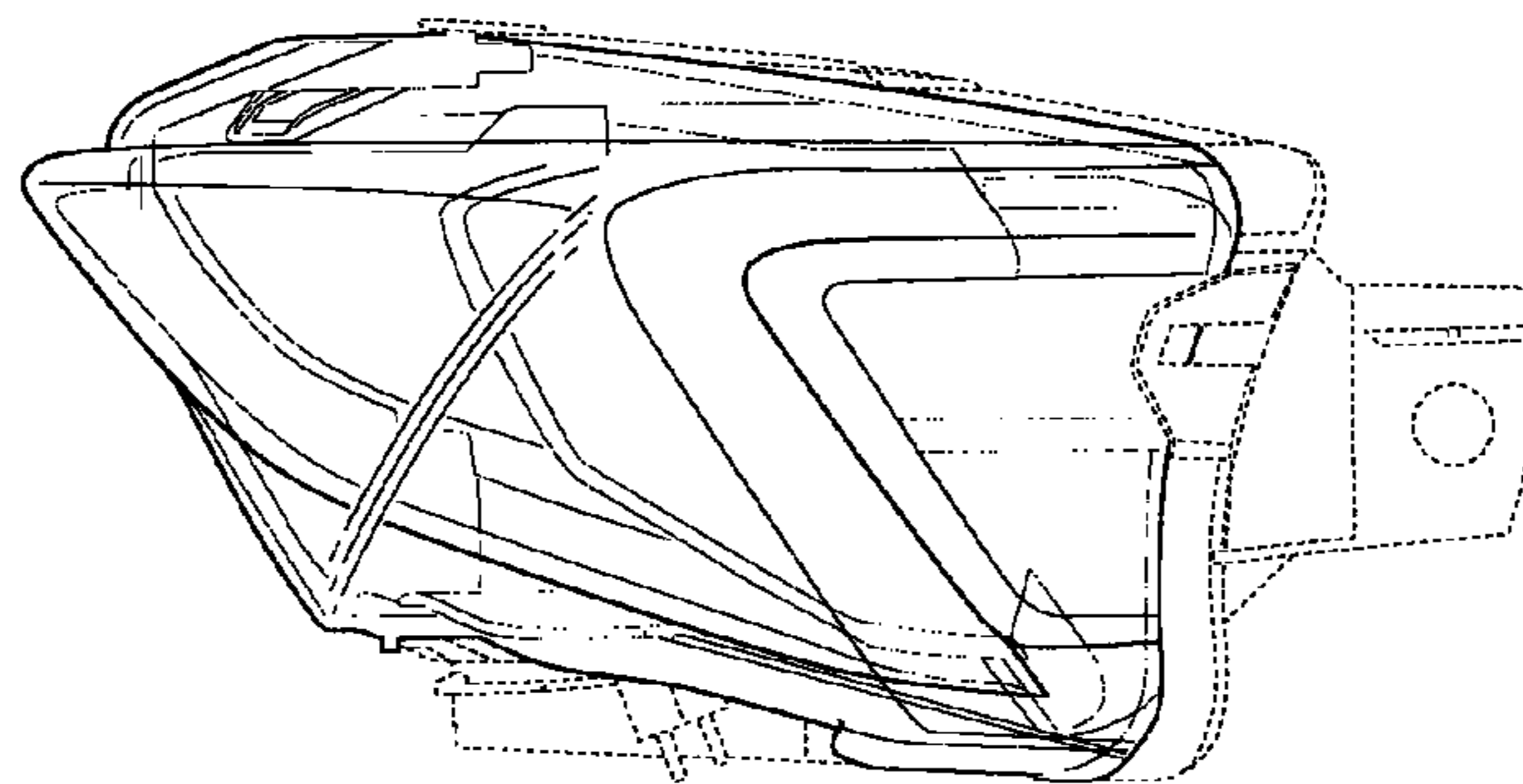


FIG.5

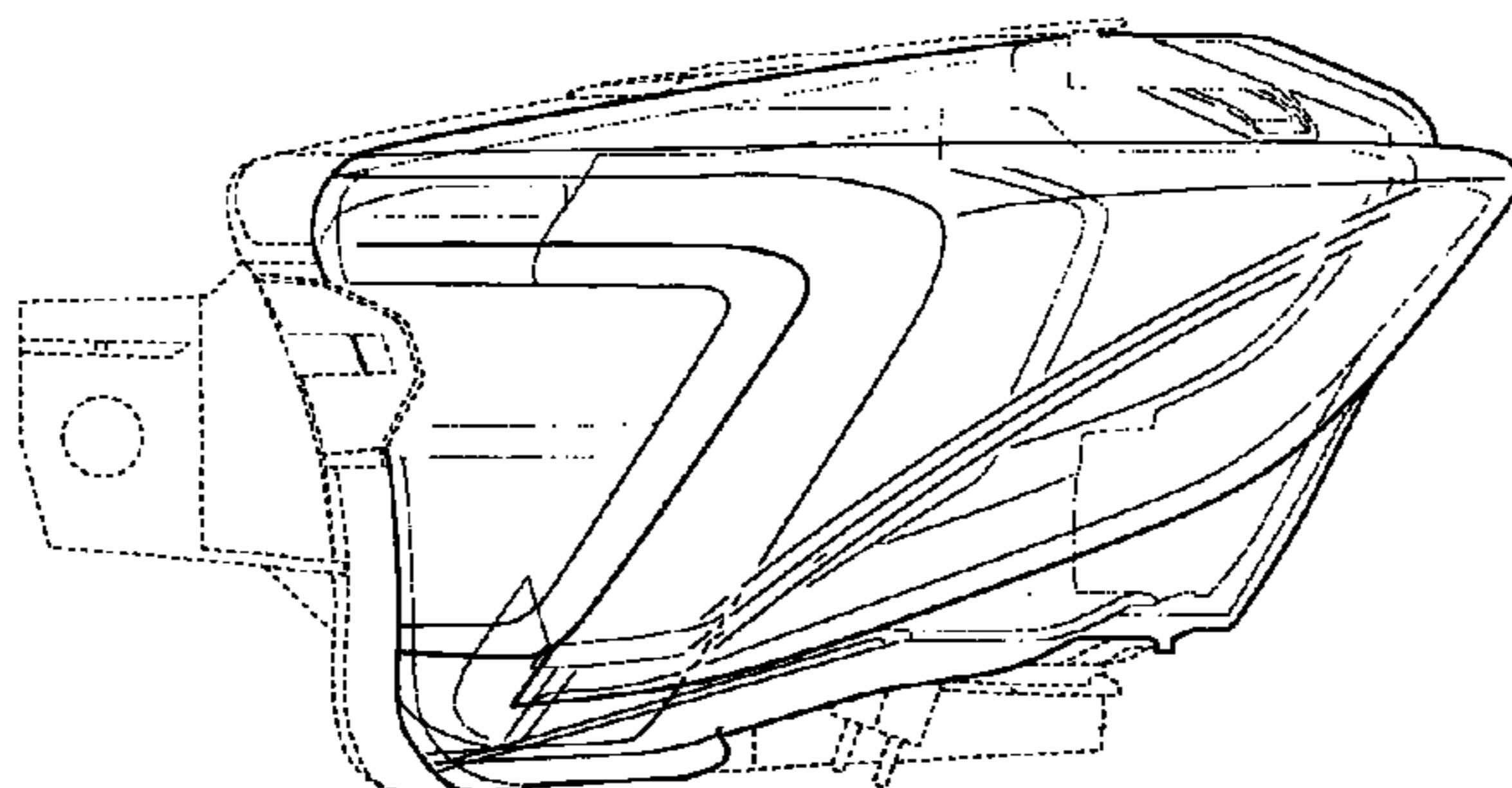


FIG.6

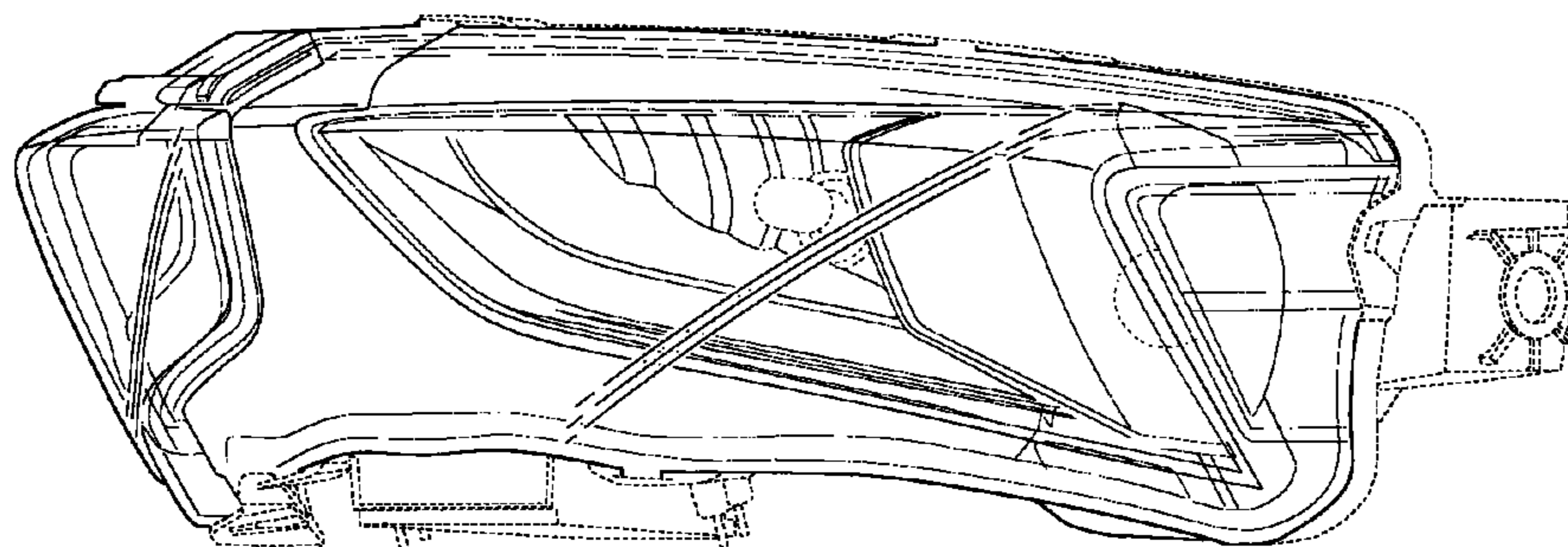


FIG.7

