



US00D693036S

(12) **United States Design Patent**
Jeong et al.

(10) **Patent No.:** **US D693,036 S**

(45) **Date of Patent:** **** Nov. 5, 2013**

(54) **REAR COMBINATION LAMP FOR AN
AUTOMOBILE**

D552,769 S * 10/2007 Leclercq D26/28
D562,477 S * 2/2008 Hsu D26/28
D570,015 S * 5/2008 Hsu D26/28
D574,524 S * 8/2008 Tomatsu D26/28

(71) Applicant: **Kia Motors Corporation**, Seoul (KR)

* cited by examiner

(72) Inventors: **Byeong Ho Jeong**, Gyeonggi-Do (KR);
Han Yong Kim, Gyeonggi-Do (KR); **Ji
Hoon Baek**, Gyeonggi-Do (KR)

Primary Examiner — Marcus Jackson

(74) *Attorney, Agent, or Firm* — Edwards Wildman Palmer
LLP

(73) Assignee: **Kia Motors Corporation**, Seoul (KR)

(**) Term: **14 Years**

(57) **CLAIM**

The ornamental design for a rear combination lamp for an
automobile, as shown and described.

(21) Appl. No.: **29/442,364**

(22) Filed: **Feb. 12, 2013**

DESCRIPTION

(30) **Foreign Application Priority Data**

Sep. 17, 2012 (KR) 30-2012-0044673

(51) **LOC (9) Cl.** **26-06**

(52) **U.S. Cl.**
USPC **D26/28**

(58) **Field of Classification Search**
USPC D26/28-36; 362/459-468, 475-478,
362/485-487
See application file for complete search history.

FIG. 1 is a perspective view of a rear combination lamp for an
automobile according to the present invention.

FIG. 2 is a front view of the rear combination lamp for an
automobile of FIG. 1.

FIG. 3 is a rear view of the rear combination lamp for an
automobile of FIG. 1.

FIG. 4 is a left side view of the rear combination lamp for an
automobile of FIG. 1.

FIG. 5 is a right side view of the rear combination lamp for an
automobile of FIG. 1.

FIG. 6 is a top view of the rear combination lamp for an
automobile of FIG. 1; and,

FIG. 7 is a bottom view of the rear combination lamp for an
automobile of FIG. 1.

(56) **References Cited**

U.S. PATENT DOCUMENTS

D542,445 S * 5/2007 Matsunami D26/28
D550,380 S * 9/2007 Lin et al. D26/28

1 Claim, 7 Drawing Sheets

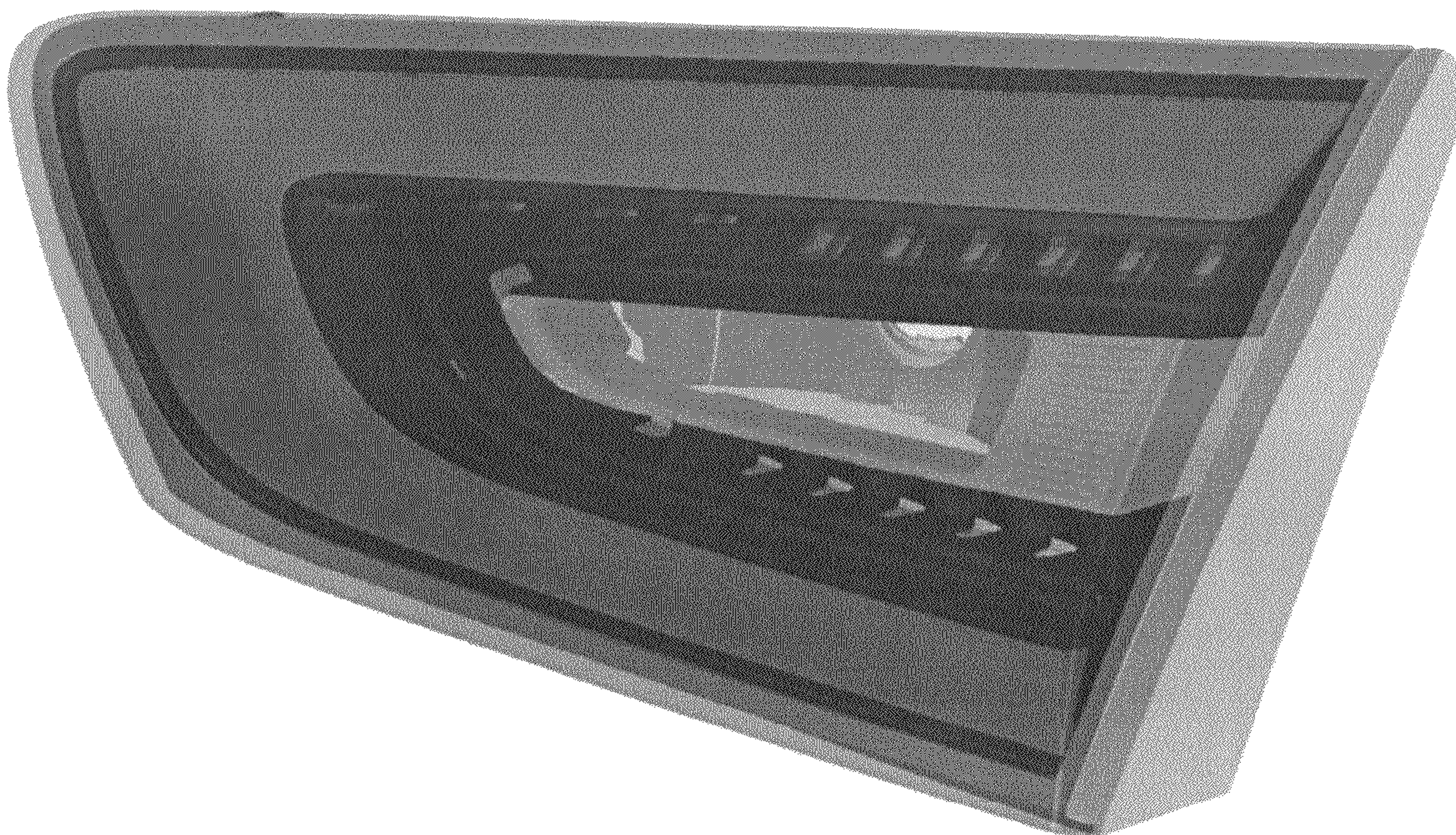


FIG. 1

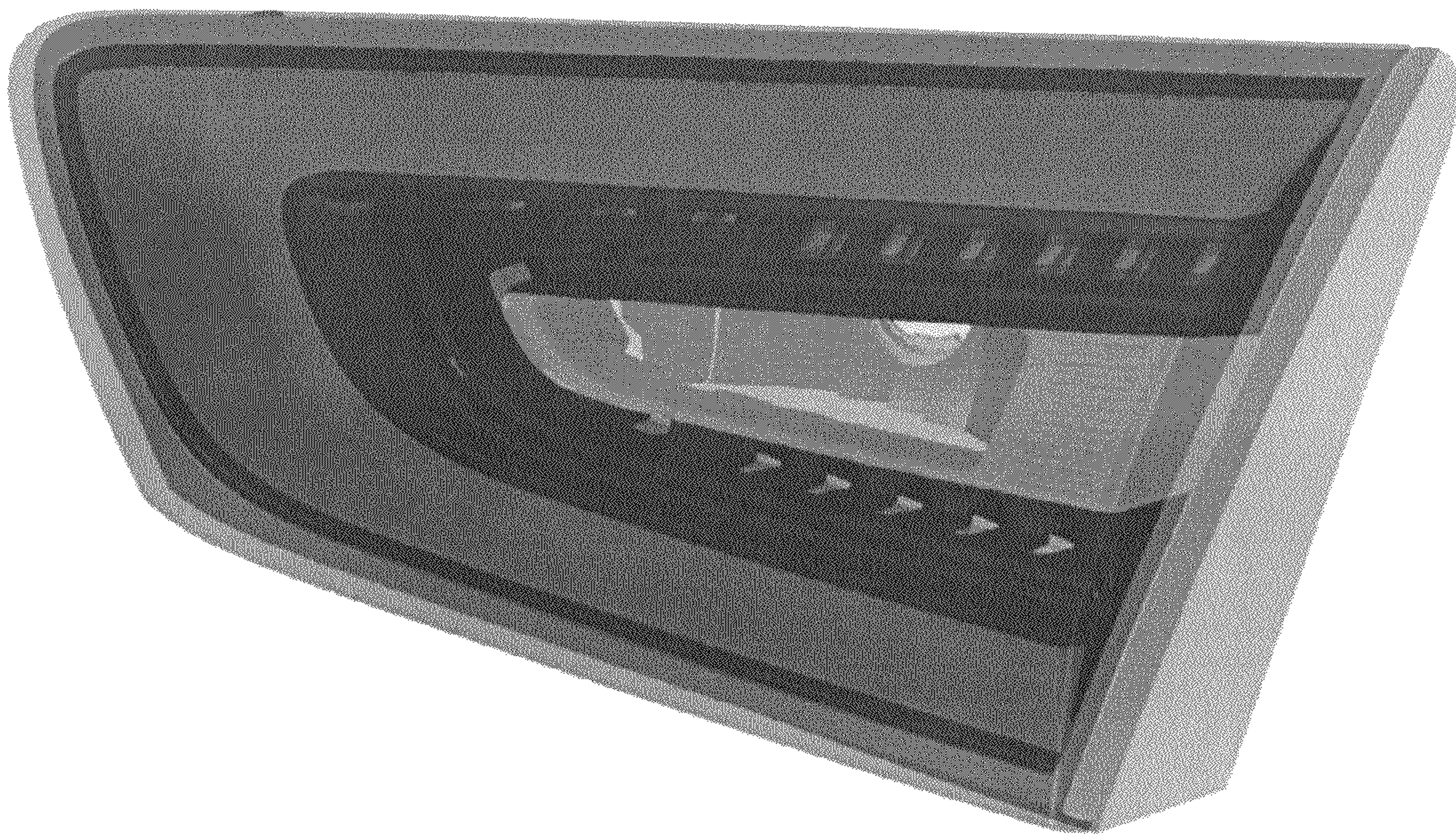


FIG. 2

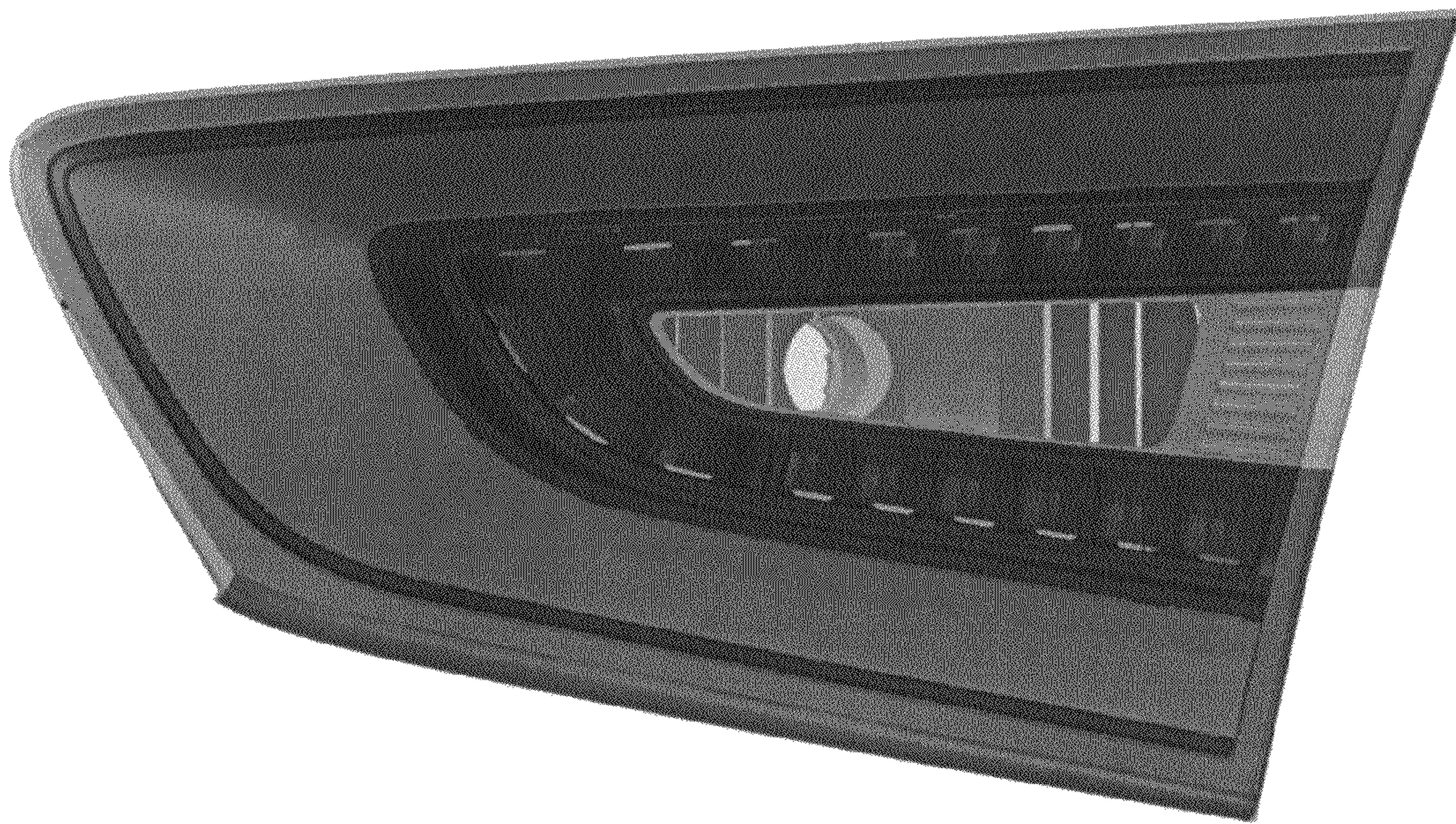


FIG. 3

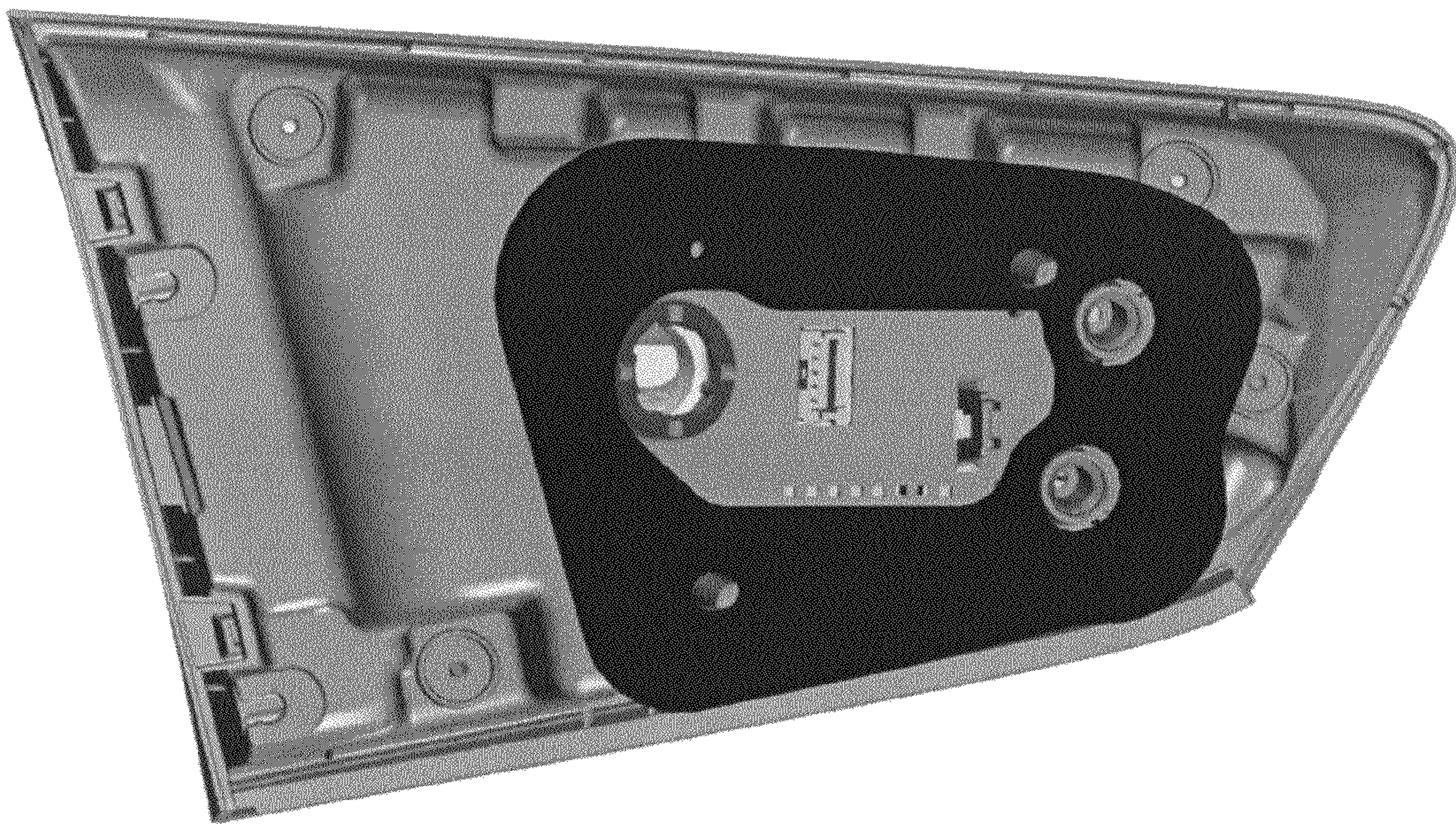


FIG. 4

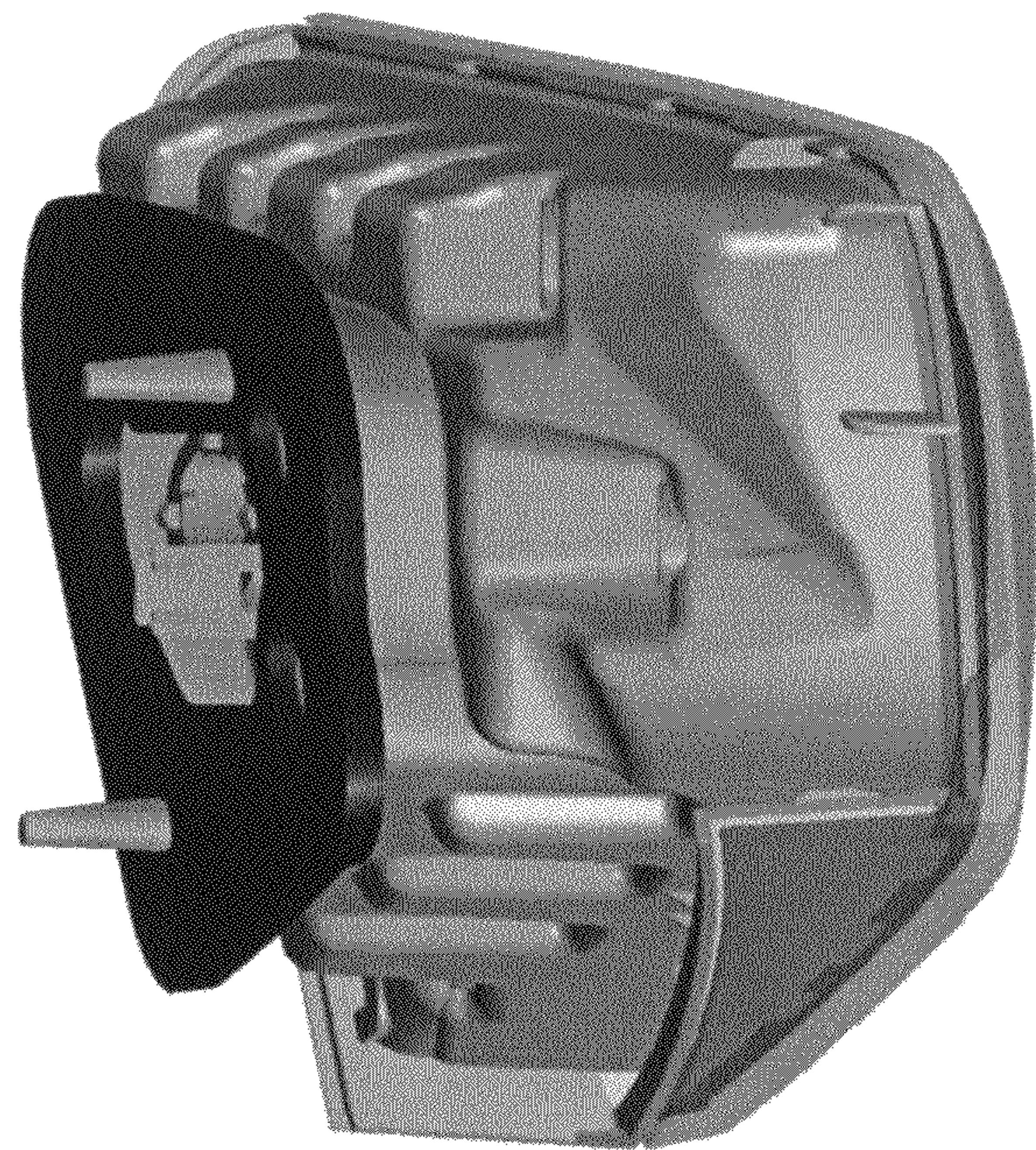


FIG. 5

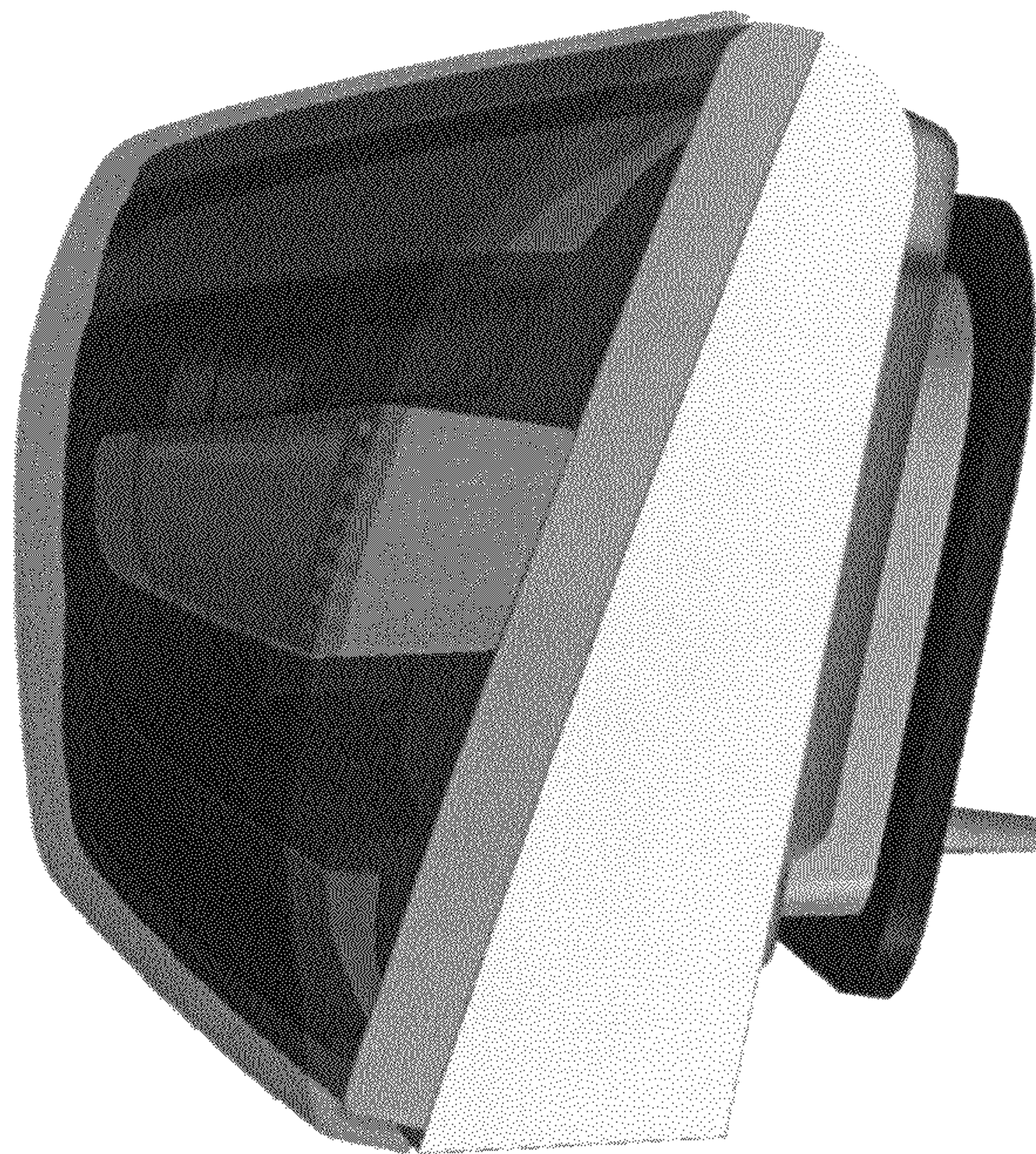


FIG. 6

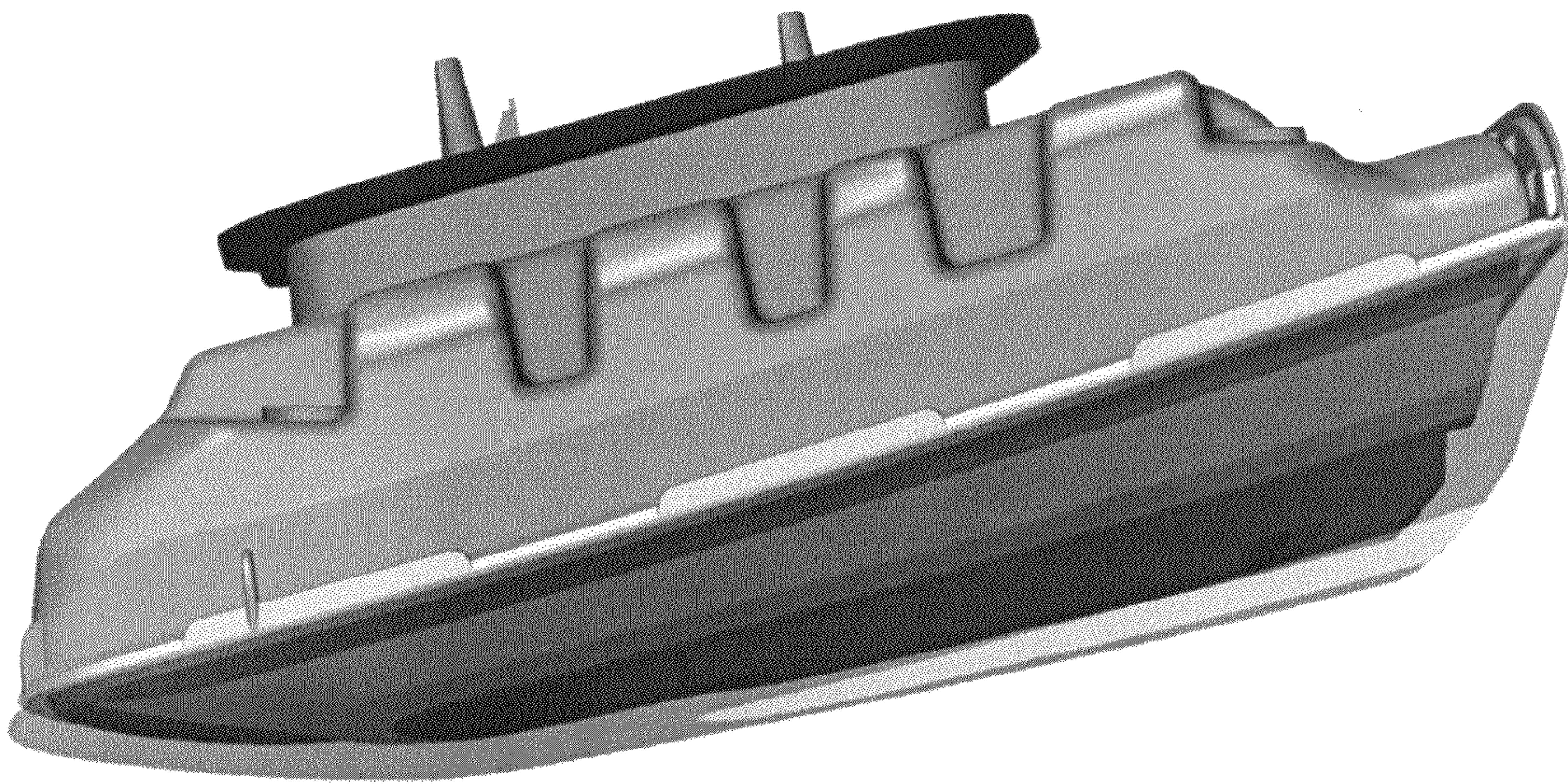


FIG. 7

