



US00D693035S

(12) **United States Design Patent**  
**Datz et al.**

(10) **Patent No.:** **US D693,035 S**  
(45) **Date of Patent:** **\*\* Nov. 5, 2013**

(54) **VEHICLE LAMP**

(75) Inventors: **R. Michael Datz**, Rochester, NY (US);  
**J. Douglas Richardson**, Pittsford, NY  
(US); **Stephen T. Vukosic**, West  
Henrietta, NY (US)

(73) Assignee: **Star Headlight & Lantern, Co., Inc.**,  
Avon, NY (US)

(\*\*) Term: **14 Years**

(21) Appl. No.: **29/374,905**

(22) Filed: **Oct. 21, 2011**

(51) **LOC (9) Cl.** ..... **26-06**

(52) **U.S. Cl.**  
USPC ..... **D26/28**

(58) **Field of Classification Search**  
USPC ..... D26/28-36; 362/459-468, 475-478,  
362/485-487  
See application file for complete search history.

(56) **References Cited**

**U.S. PATENT DOCUMENTS**

D592,330 S 5/2009 Huang  
D601,727 S \* 10/2009 Huang ..... D26/28  
D605,789 S \* 12/2009 Ko ..... D26/28  
D616,124 S 5/2010 Wu  
D626,670 S \* 11/2010 Metzger et al. .... D26/28  
D638,963 S 5/2011 Huang  
D639,468 S 6/2011 Huang

D642,309 S 7/2011 Huang  
D657,081 S \* 4/2012 Alisauskas et al. .... D26/28  
D670,839 S \* 11/2012 Smarslik ..... D26/28

**OTHER PUBLICATIONS**

Survey From Internet of Various PAR36 LED Lamp Designs From  
May 10, 2011.  
U.S. Trademark Registration No. 3,483,147, Registered Aug. 12,  
2008.

\* cited by examiner

*Primary Examiner* — Marcus Jackson

(74) *Attorney, Agent, or Firm* — Kenneth J. Lukacher Law  
Group

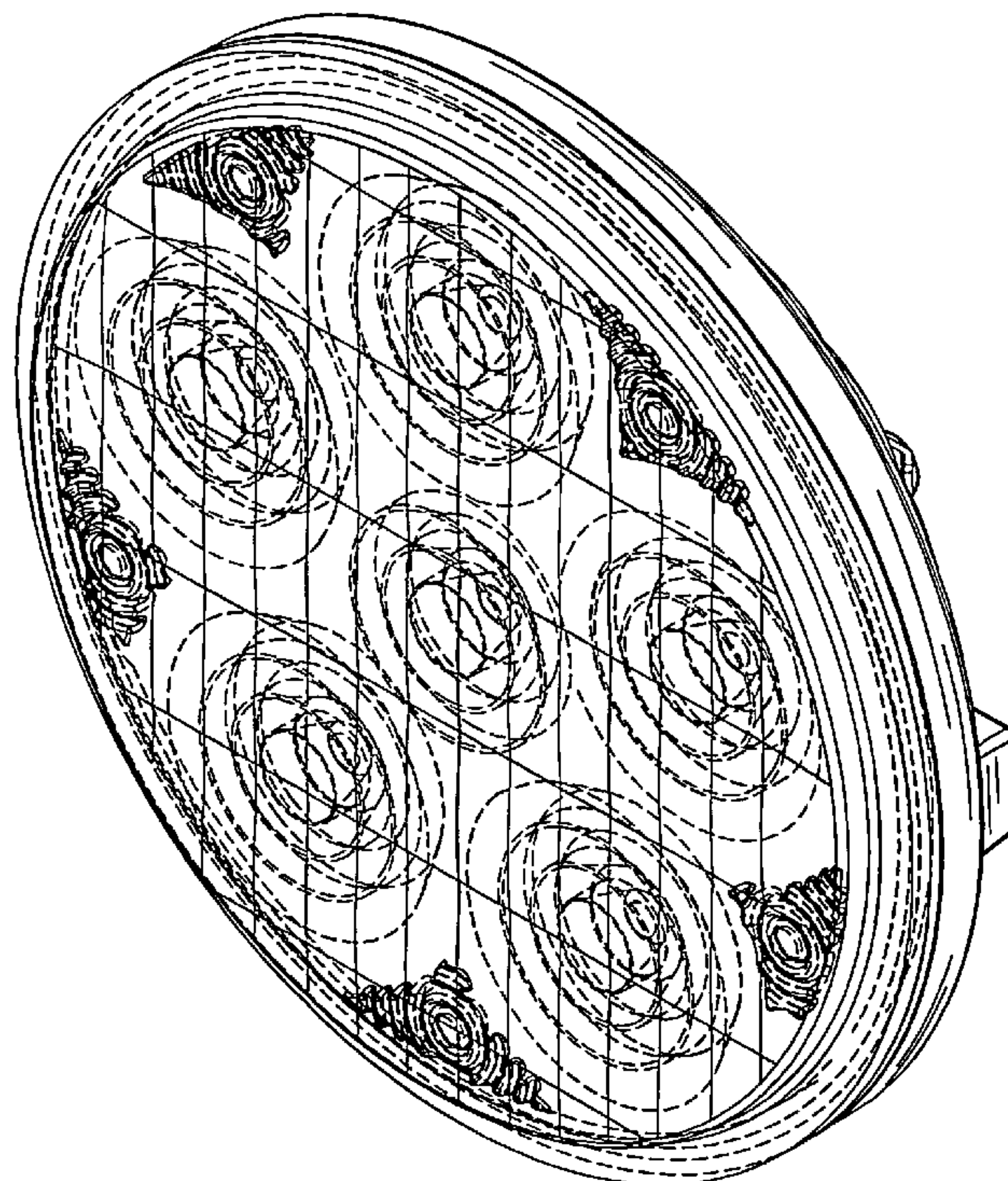
(57) **CLAIM**

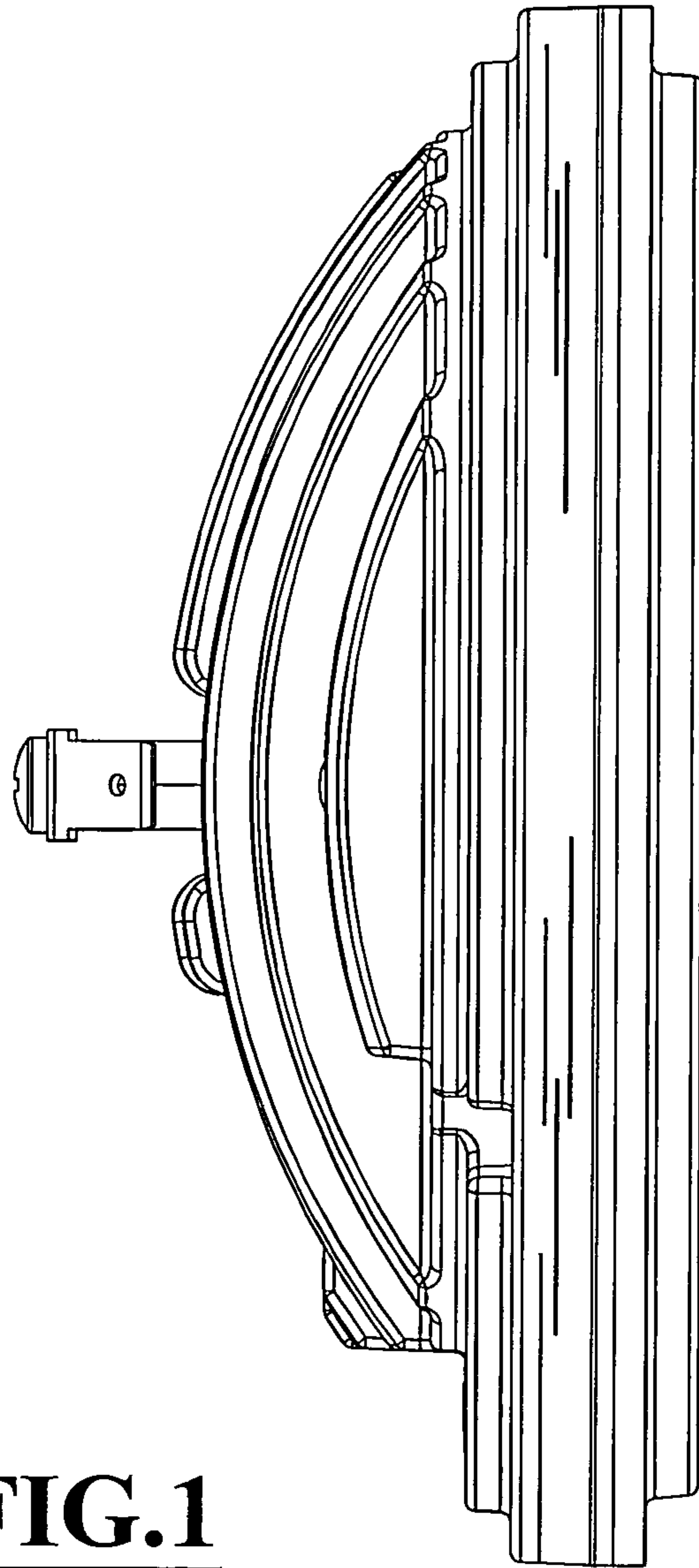
The ornamental design for a vehicle lamp, as shown and  
described.

**DESCRIPTION**

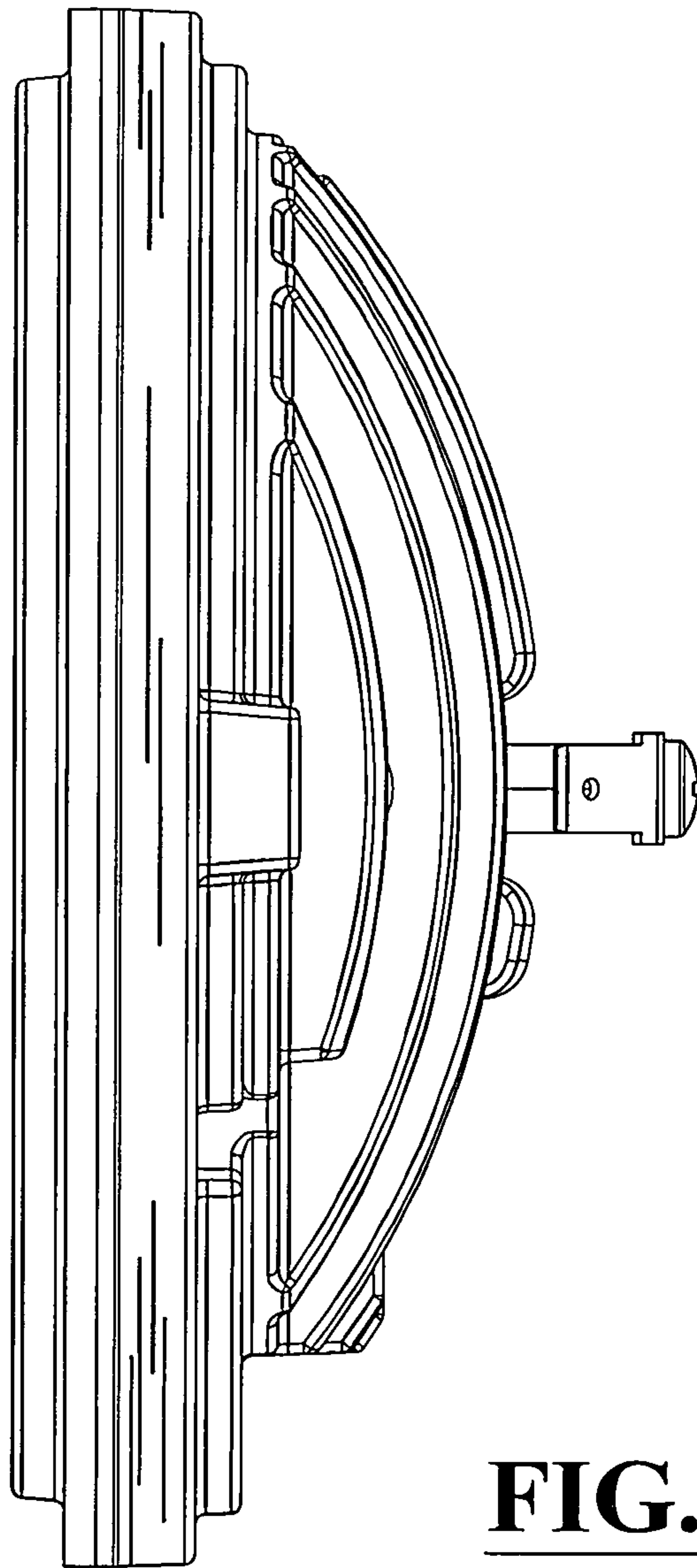
FIG. 1 is a right side elevational view of a vehicle lamp  
showing our new design;  
FIG. 2 is a left side elevational view thereof;  
FIG. 3 is a top plan view thereof;  
FIG. 4 is a bottom plan view thereof;  
FIG. 5 is a rear elevational view thereof;  
FIG. 6 is a rear perspective view thereof;  
FIG. 7 is a front elevational view thereof; and,  
FIG. 8 is a front perspective view of an alternate embodiment,  
wherein the only difference resides in the grid of lens on the  
front surface.

**1 Claim, 8 Drawing Sheets**

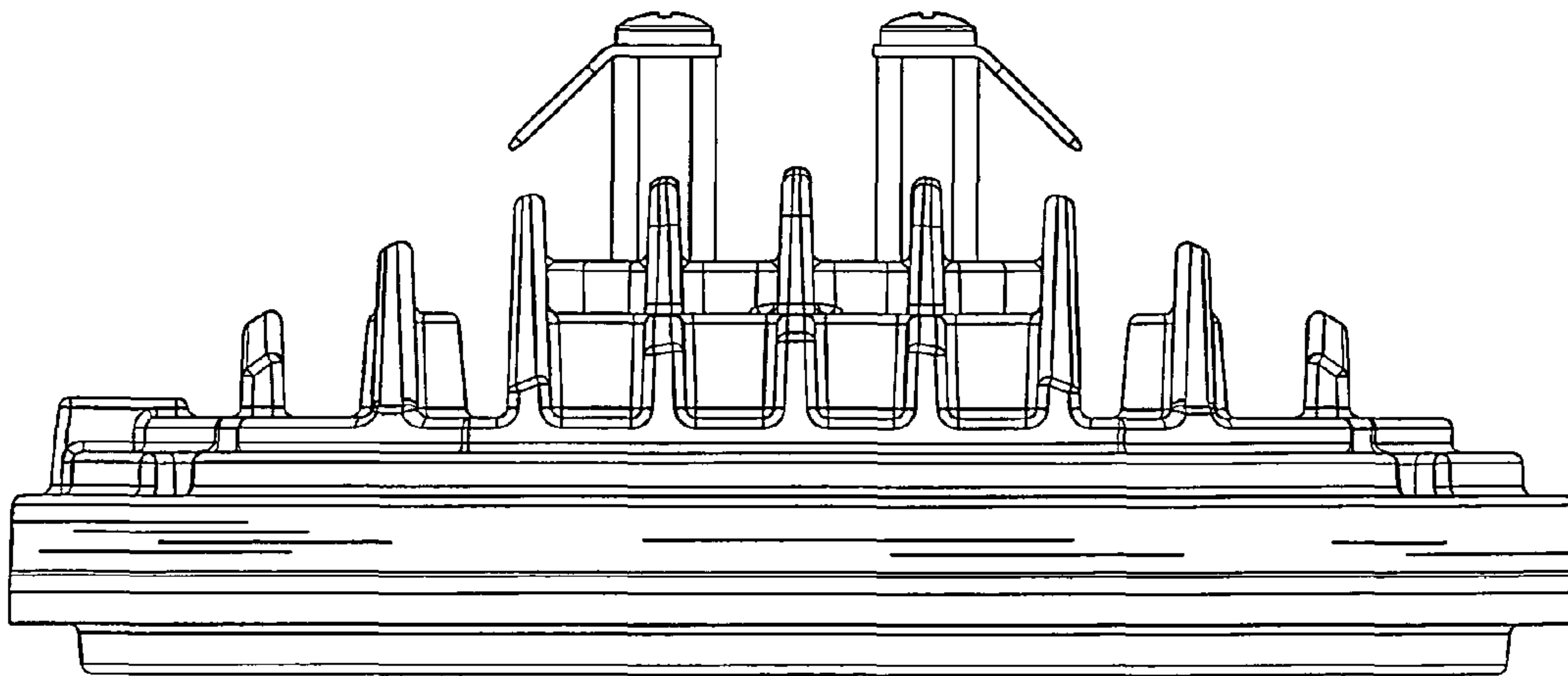




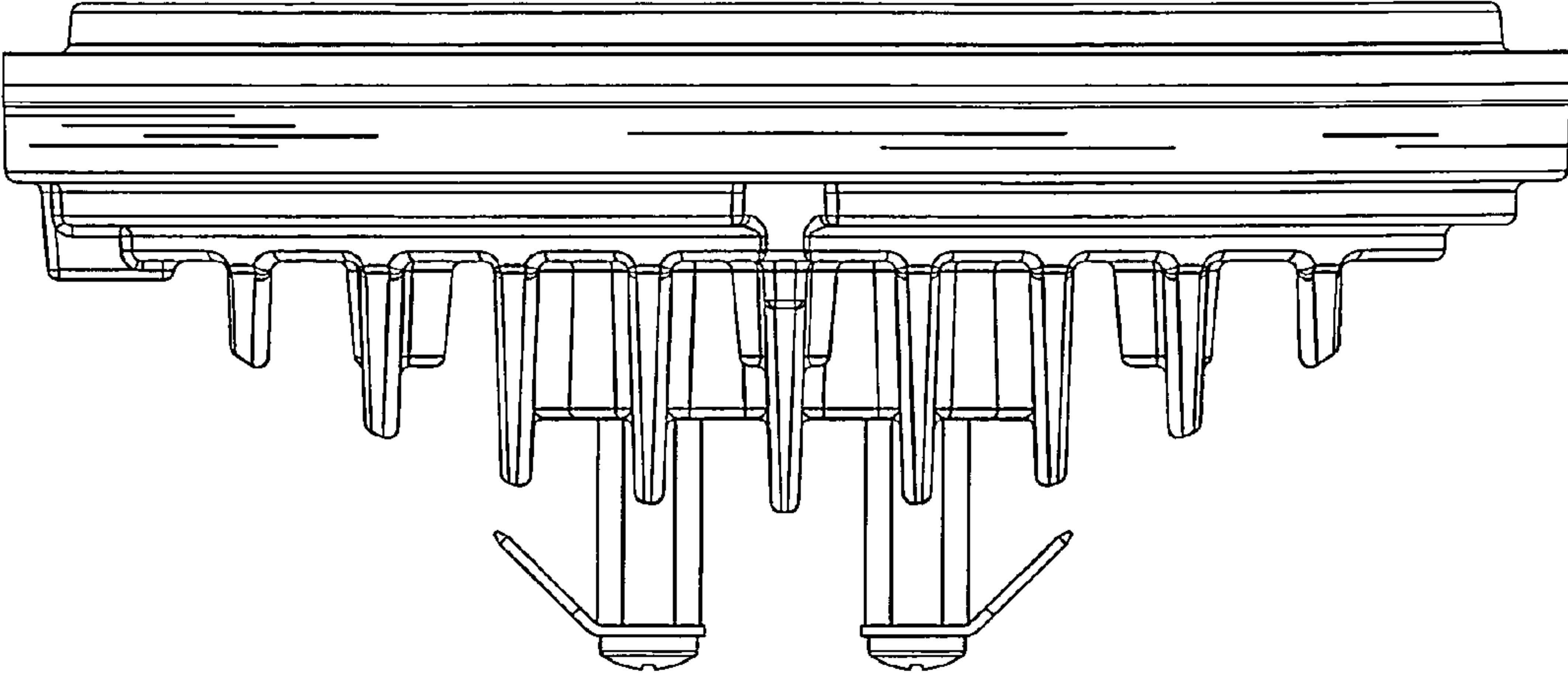
**FIG.1**



**FIG.2**

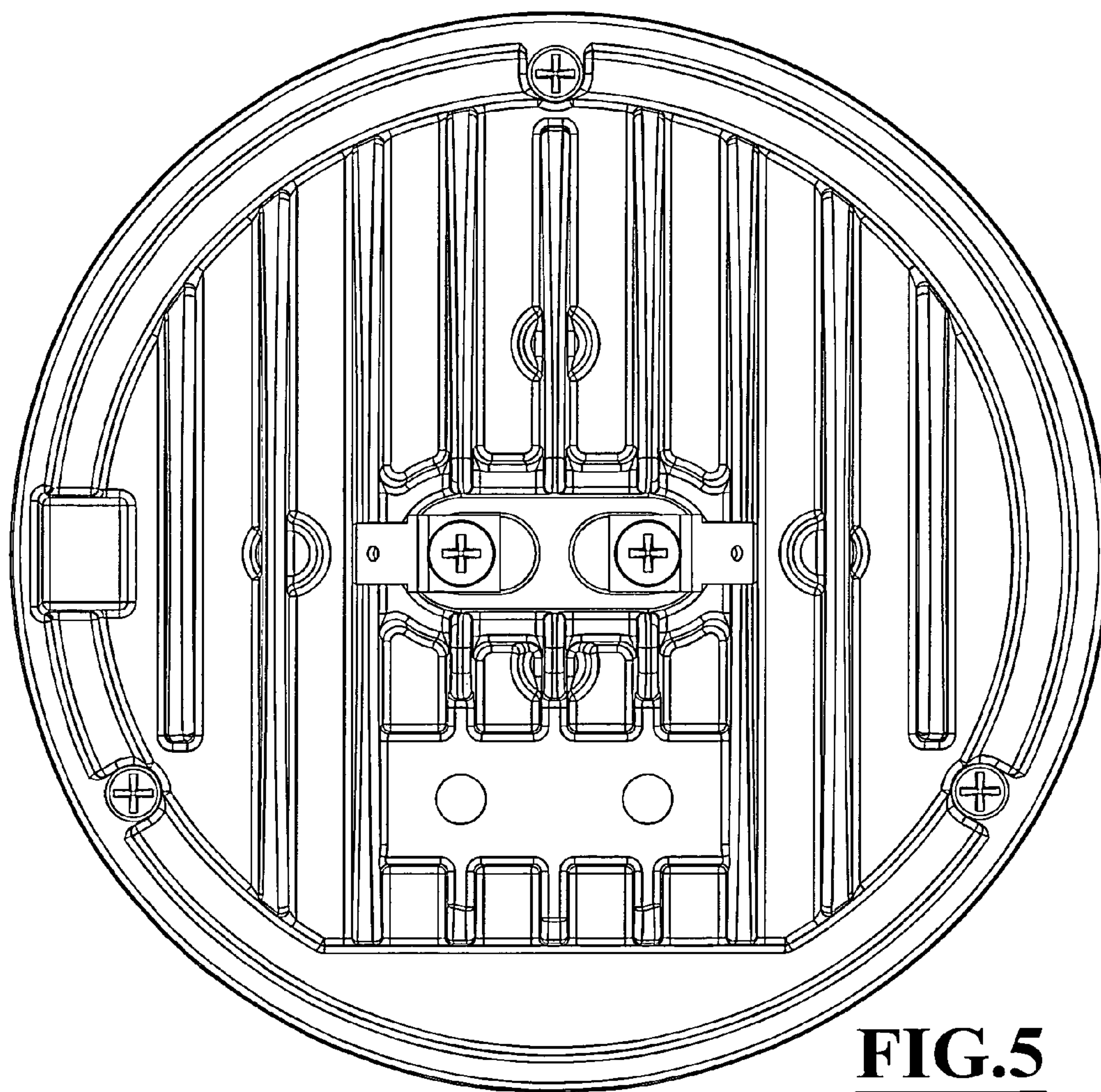


**FIG.3**

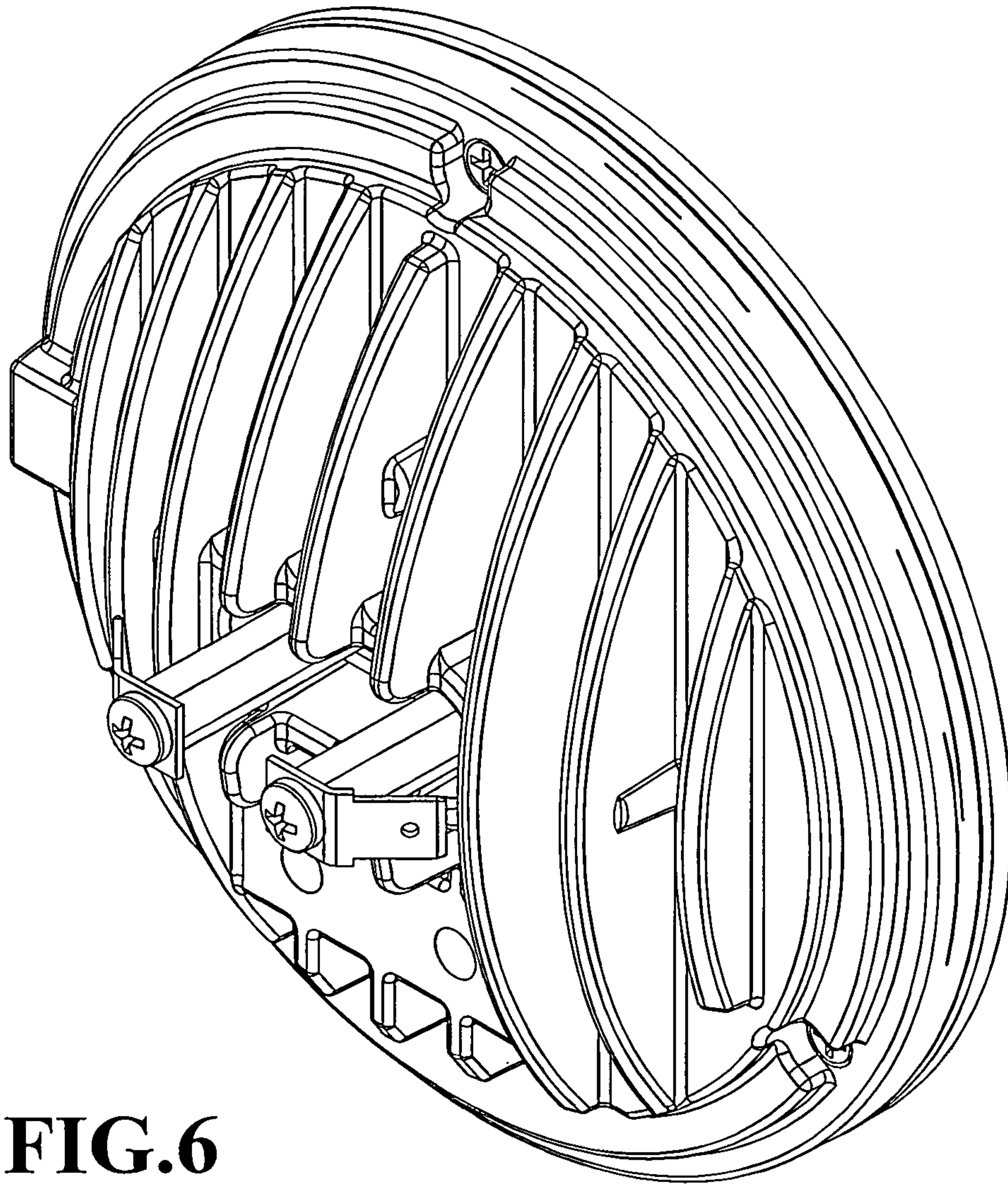


**FIG.4**

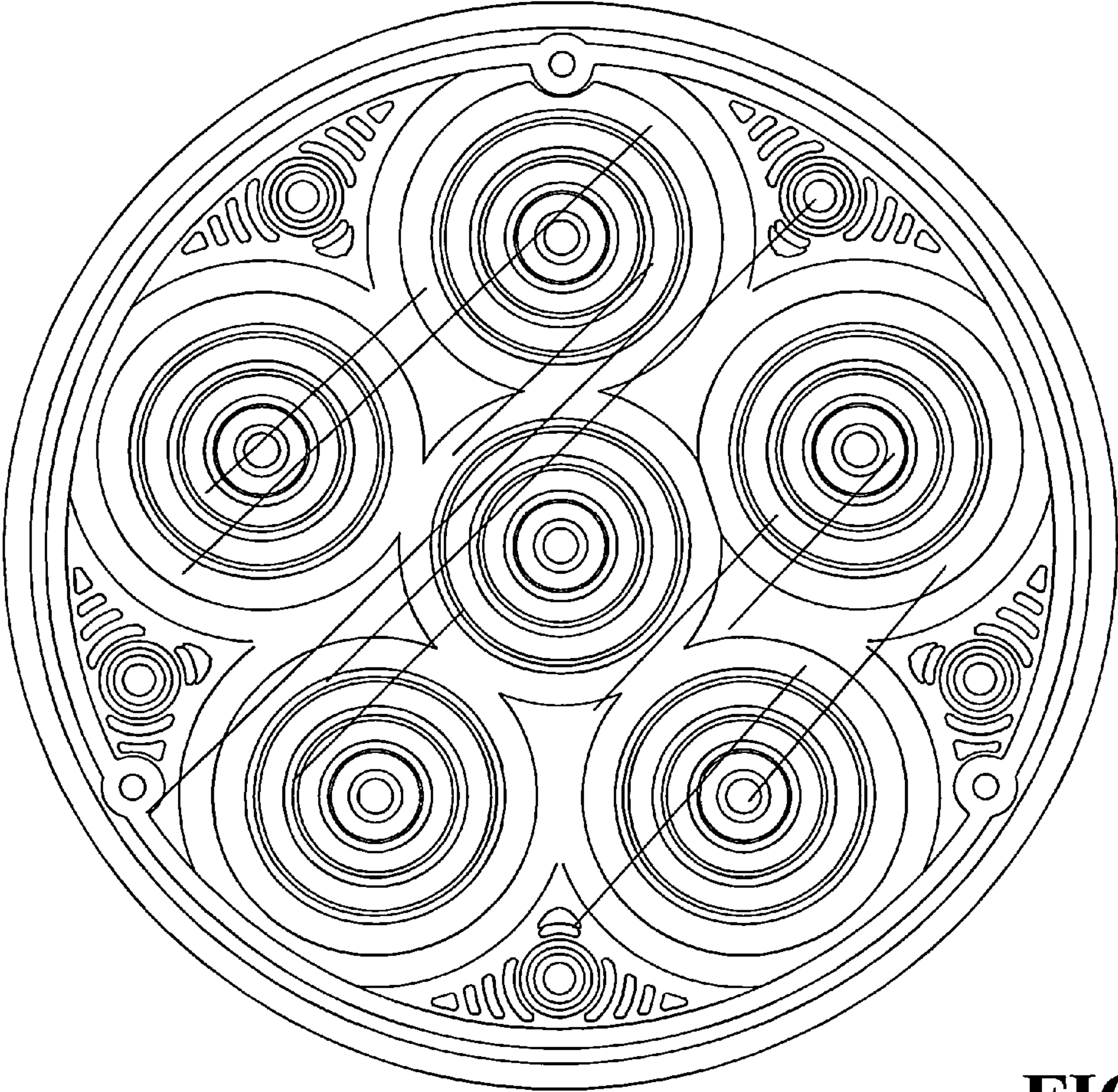




**FIG.5**



**FIG.6**



**FIG. 7**



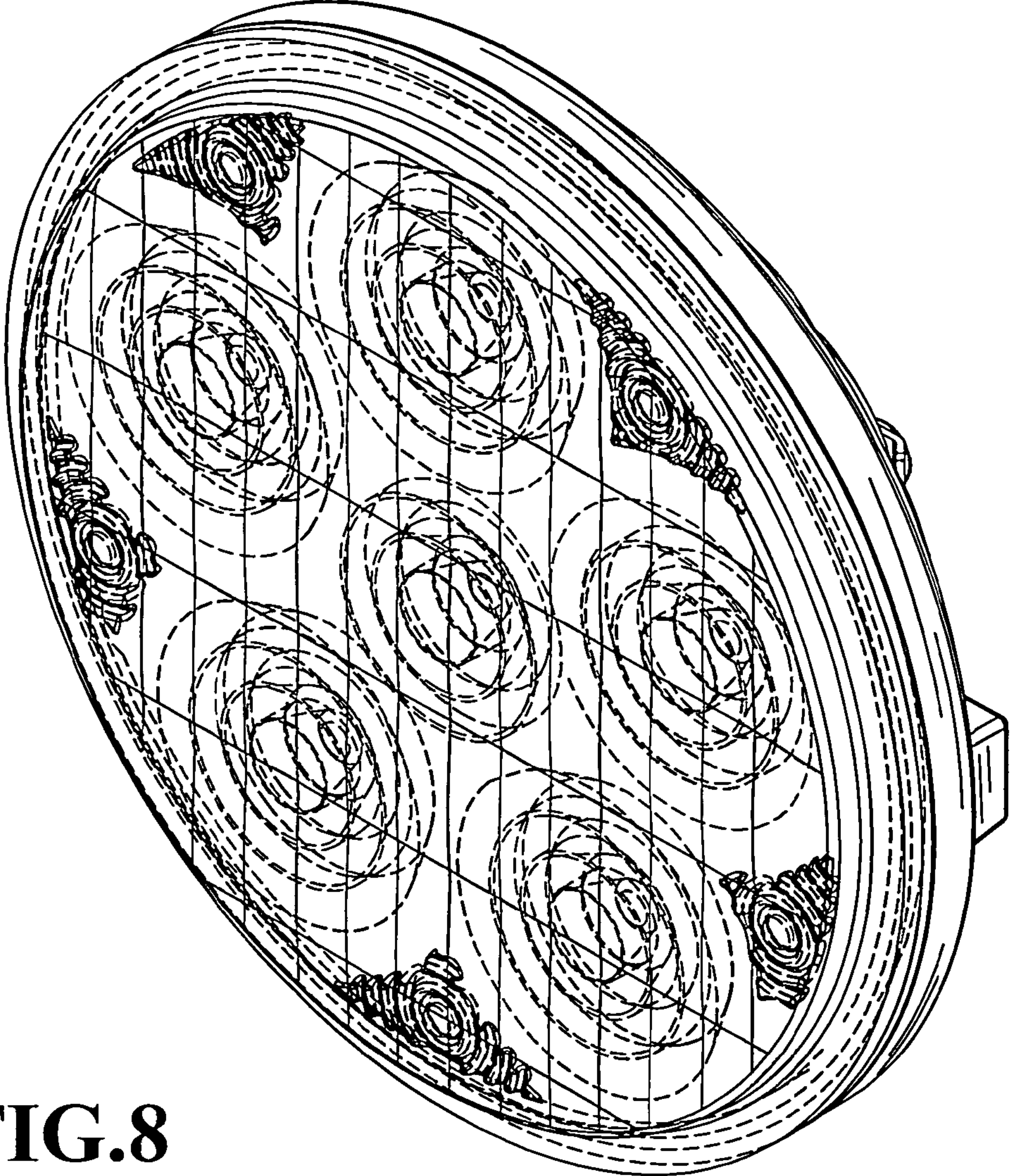


FIG.8