

US00D693034S

(12) **United States Design Patent**
Cheng

(10) **Patent No.:** **US D693,034 S**

(45) **Date of Patent:** **** Nov. 5, 2013**

(54) **LED LAMP**

(75) Inventor: **Chung-Chieh Cheng**, Taoyuan Hsien
(TW)

(73) Assignee: **Delta Electronics, Inc.**, Taoyuan Hsien
(TW)

(**) Term: **14 Years**

(21) Appl. No.: **29/383,327**

(22) Filed: **Jan. 14, 2011**

(51) **LOC (9) Cl.** **26-04**

(52) **U.S. Cl.**
USPC **D26/2**

(58) **Field of Classification Search**
USPC D26/2, 72, 37, 39, 41, 104; 362/555,
362/545, 800, 294, 249, 267
See application file for complete search history.

(56) **References Cited**

U.S. PATENT DOCUMENTS

D508,575	S *	8/2005	Buschmann et al.	D26/2
D629,929	S *	12/2010	Chen et al.	D26/2
7,965,029	B2 *	6/2011	Tsai	362/294
D645,989	S *	9/2011	Cheng	D26/2
D664,271	S *	7/2012	Kim et al.	D26/2
8,210,735	B2 *	7/2012	Choi	362/800

D667,970	S *	9/2012	Chen	D26/2
D667,971	S *	9/2012	Maxik et al.	D26/2
8,272,762	B2 *	9/2012	Maxik et al.	362/294
8,272,766	B2 *	9/2012	Phipps et al.	362/294
8,297,797	B2 *	10/2012	Kim et al.	362/294
8,360,606	B2 *	1/2013	Takei et al.	362/294
8,393,779	B2 *	3/2013	Myojo	362/800

* cited by examiner

Primary Examiner — David Muller

(74) *Attorney, Agent, or Firm* — Muncy, Geissler, Olds & Lowe, PLLC

(57) **CLAIM**

The ornamental design for a LED lamp, as shown and described.

DESCRIPTION

FIG. 1 is a perspective view of an LED lamp showing my new design;

FIG. 2 is a front elevation view thereof;

FIG. 3 is a rear elevation view thereof;

FIG. 4 is a left side elevation view thereof;

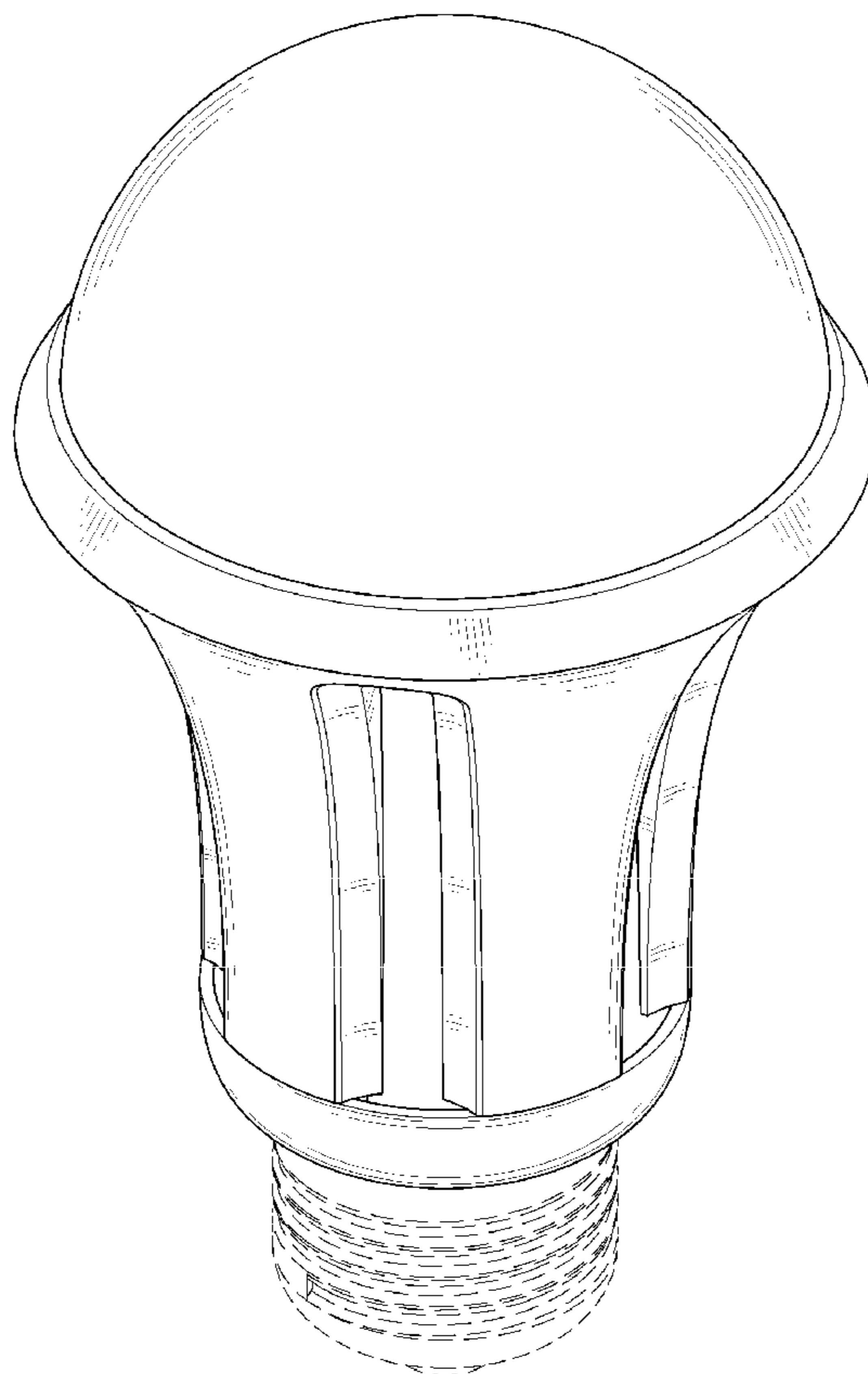
FIG. 5 is a right side elevation view thereof;

FIG. 6 is a top plan view thereof; and,

FIG. 7 is a bottom plan view thereof.

The broken lines are shown for environmental purposes only, and form no part of the claimed design.

1 Claim, 7 Drawing Sheets



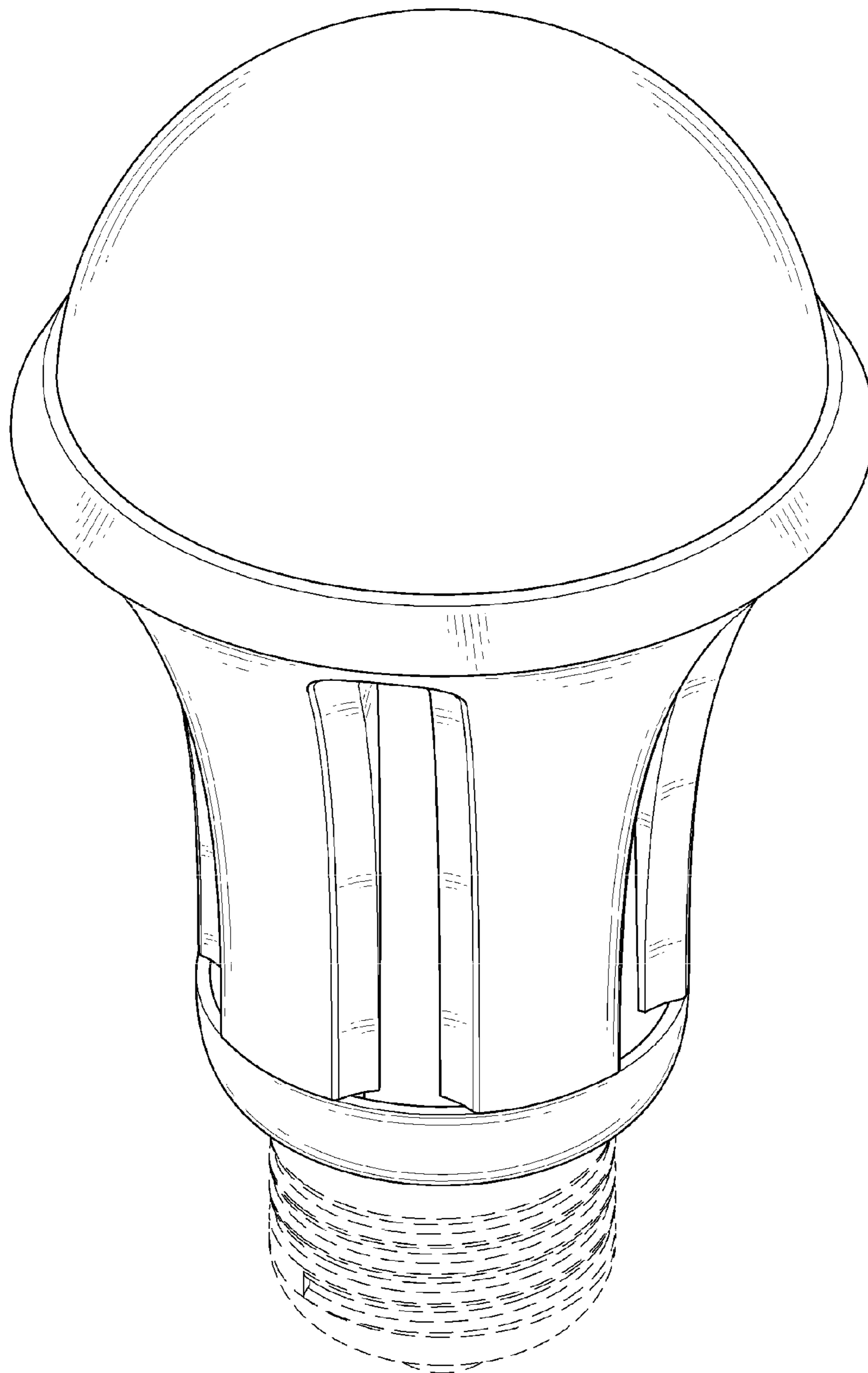


Fig. 1

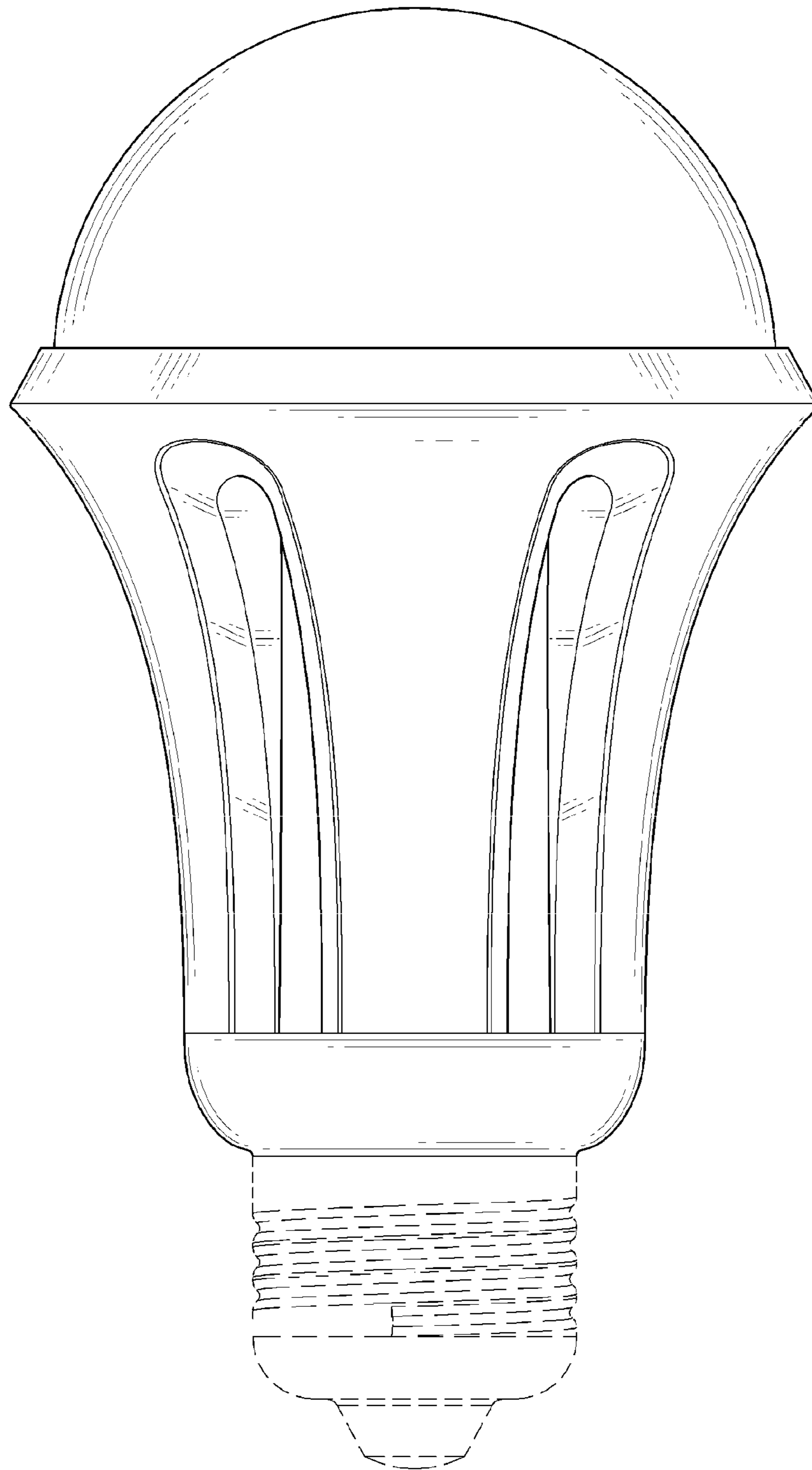


Fig. 2

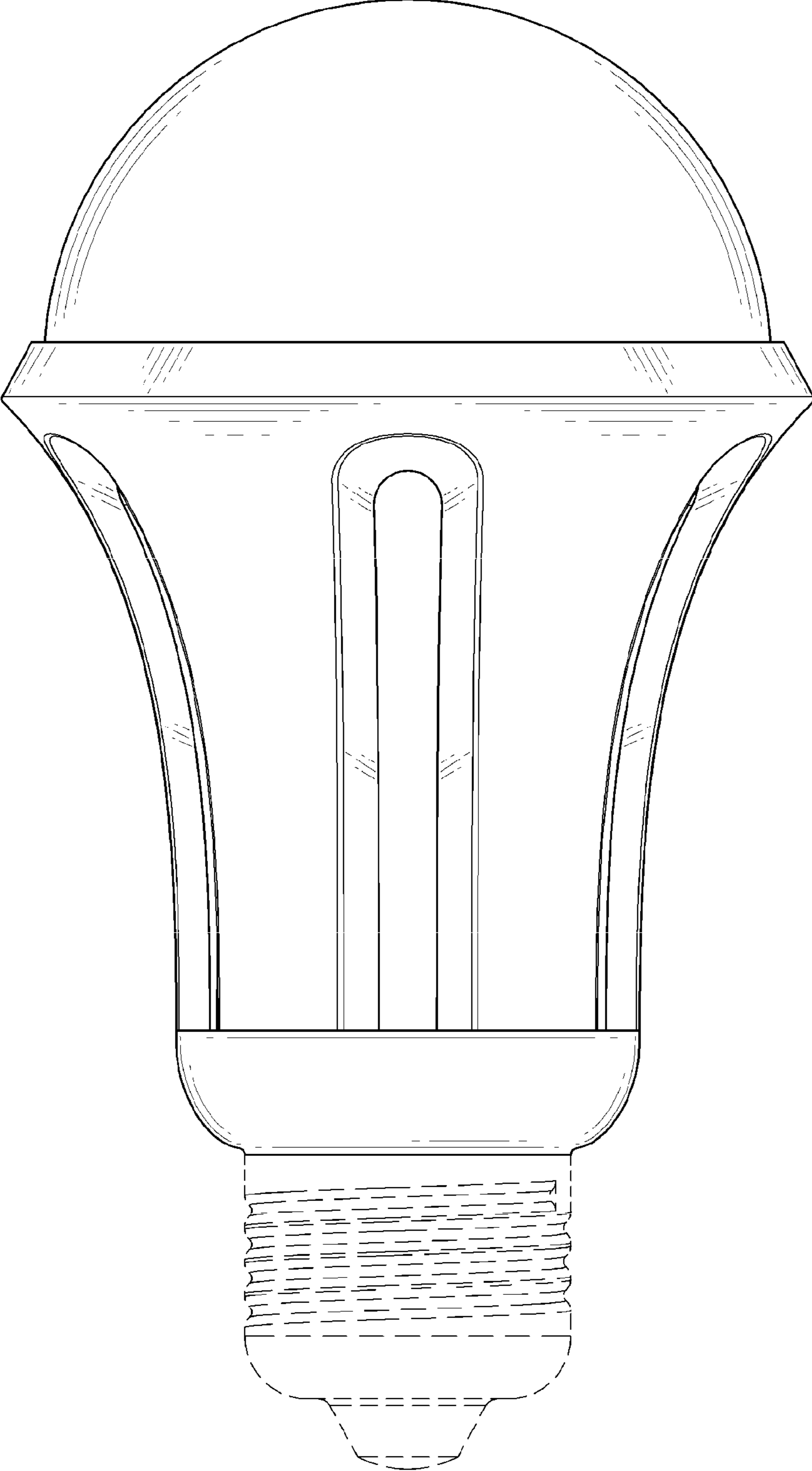


Fig. 3

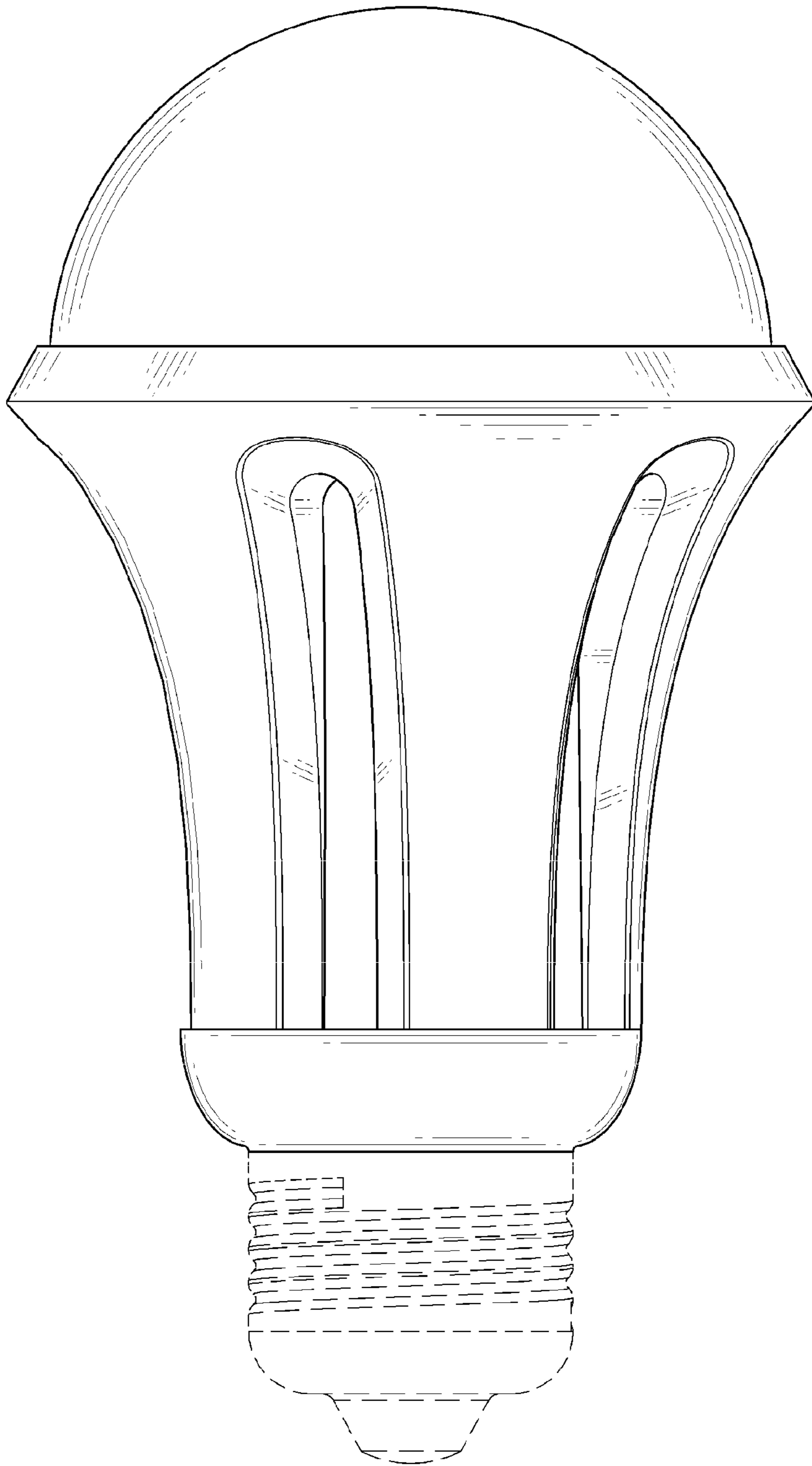


Fig. 4

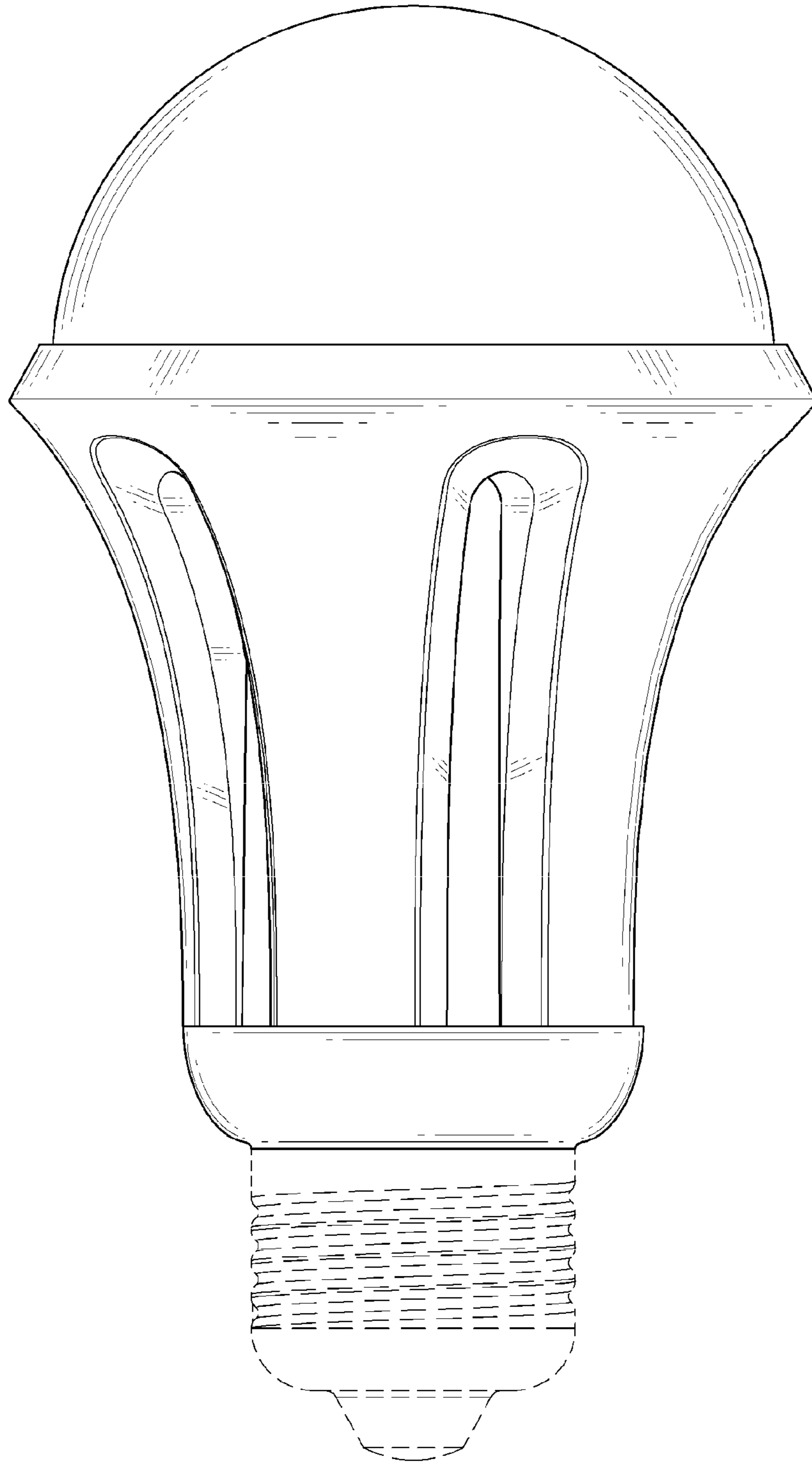


Fig. 5

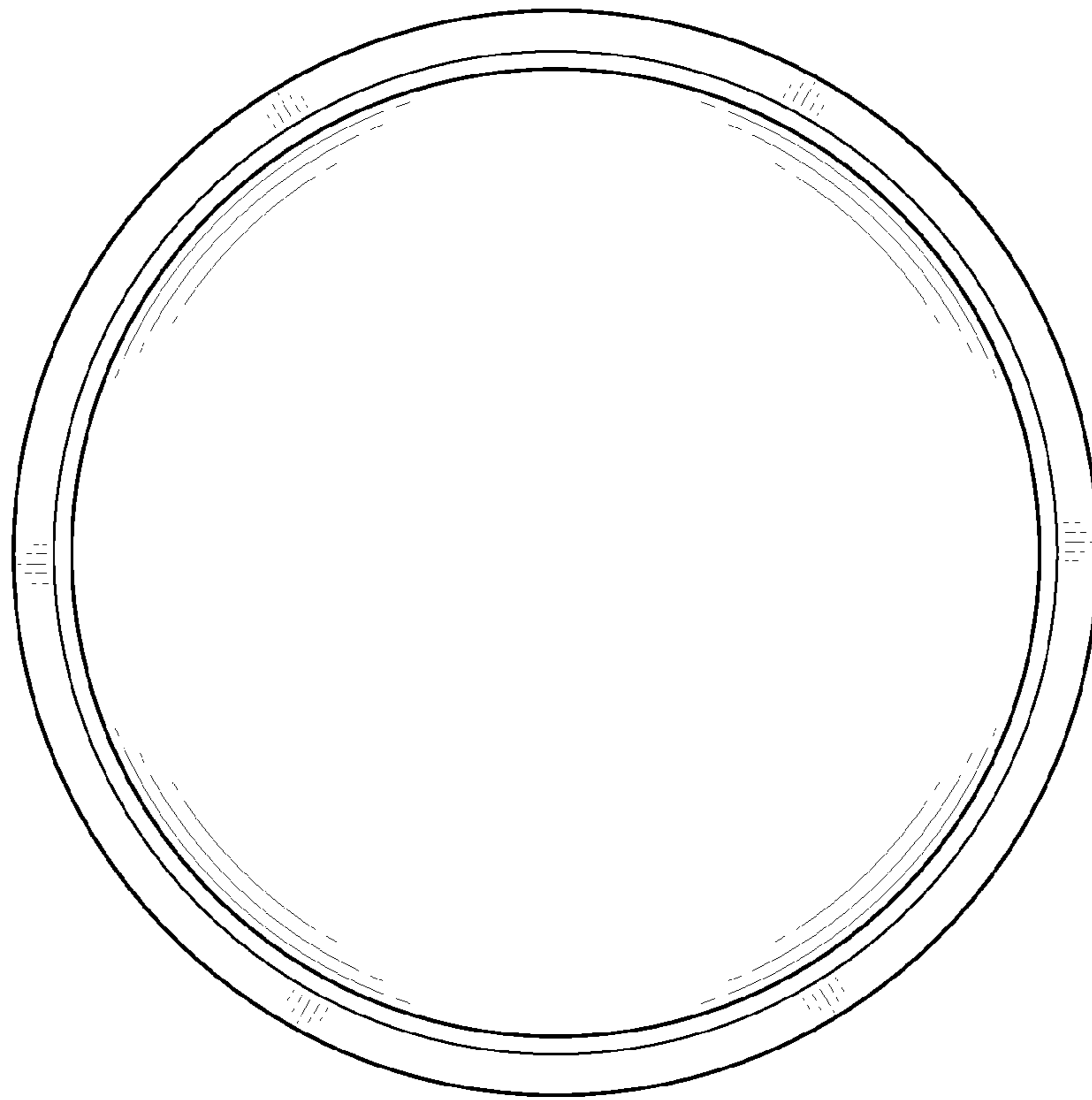


Fig. 6

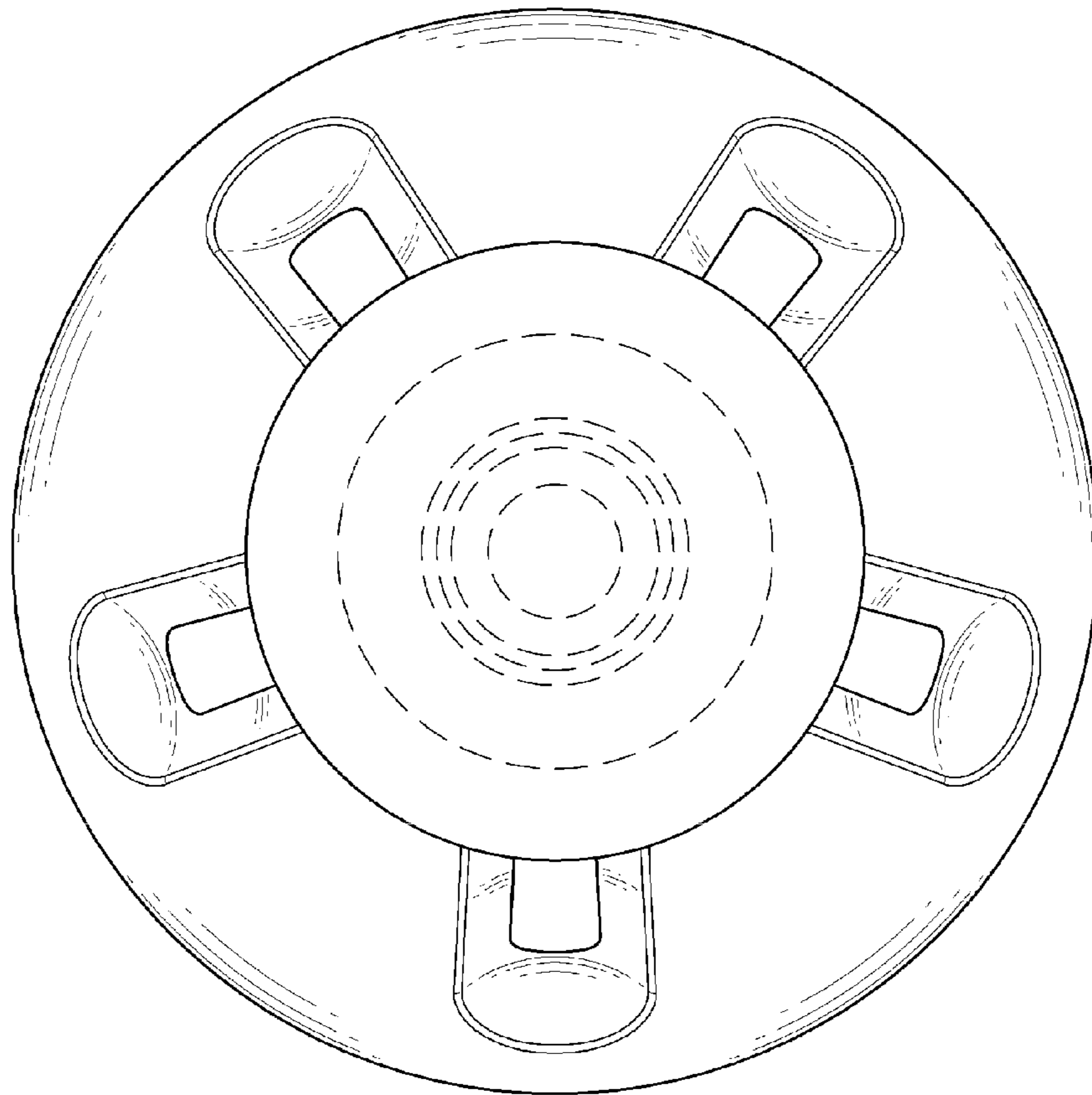


Fig. 7