

US00D693033S

(12) **United States Design Patent**  
**Takeda et al.**

(10) **Patent No.:** **US D693,033 S**  
(45) **Date of Patent:** **\*\* Nov. 5, 2013**

(54) **LIGHT EMITTING DIODE MODULE**

**DESCRIPTION**

(75) Inventors: **Katsuhiro Takeda**, Osaka (JP); **Minoru Bannai**, Osaka (JP); **Toyohiro Maruyama**, Osaka (JP); **Takashi Oosugi**, Osaka (JP)

(73) Assignee: **Panasonic Corporation**, Kadoma-shi (JP)

(\*\*) Term: **14 Years**

(21) Appl. No.: **29/413,921**

(22) Filed: **Feb. 22, 2012**

(30) **Foreign Application Priority Data**

Aug. 22, 2011 (JP) ..... 2011-018909  
Aug. 22, 2011 (JP) ..... 2011-018910  
Aug. 22, 2011 (JP) ..... 2011-018911

(51) **LOC (9) Cl.** ..... **26-04**

(52) **U.S. Cl.**  
USPC ..... **D26/1; D13/180**

(58) **Field of Classification Search**  
USPC ..... **D26/1-4; D13/182; 313/313, 315, 316, 313/317, 318, 493; 315/52, 53, 56, 57, 58**  
See application file for complete search history.

(56) **References Cited**

**U.S. PATENT DOCUMENTS**

D634,863 S \* 3/2011 Leung ..... D26/1  
D636,899 S \* 4/2011 Shibahara ..... D26/1  
D667,145 S \* 9/2012 Bierhuizen et al. .... D26/1  
D683,481 S \* 5/2013 Bierhuizen et al. .... D26/1

\* cited by examiner

*Primary Examiner* — Marcus Jackson

(74) *Attorney, Agent, or Firm* — Marvin A. Motsenbocker; Mots Law, PLLC

(57) **CLAIM**

The ornamental design for a light emitting diode module, as shown and described.

FIG. 1 is a front perspective view of a light emitting diode module;  
FIG. 2 is a front view thereof;  
FIG. 3 is a top plan view thereof;  
FIG. 4 is a right side view thereof;  
FIG. 5 is a rear view thereof;  
FIG. 6 is a bottom plan view thereof;  
FIG. 7 is a left side view thereof; and  
FIG. 8 is a sectional view thereof taken along line 8-8 in FIG. 2, in which the internal components are omitted;  
FIG. 9 is a sectional view thereof taken along line 9-9 in FIG. 2, in which the internal components are omitted;  
FIG. 10 is a front perspective view thereof;  
FIG. 11 is a front view thereof;  
FIG. 12 is a top plan view thereof;  
FIG. 13 is a right side view thereof;  
FIG. 14 is a rear view thereof;  
FIG. 15 is a bottom plan view thereof;  
FIG. 16 is a left side view thereof;  
FIG. 17 is a sectional view thereof taken along line 17-17 in FIG. 11, in which the internal components are omitted;  
FIG. 18 is a sectional view thereof taken along line 18-18 in FIG. 11, in which the internal components are omitted;  
FIG. 19 is a front perspective view thereof;  
FIG. 20 is a front view thereof;  
FIG. 21 is a top plan view thereof;  
FIG. 22 is a right side view thereof;  
FIG. 23 is a rear view thereof;  
FIG. 24 is a bottom plan view thereof;  
FIG. 25 is a left side view thereof;  
FIG. 26 is a sectional view thereof taken along line 26-26 in FIG. 20, in which the internal components are omitted; and  
FIG. 27 is a sectional view thereof taken along line 27-27 in FIG. 20, in which the internal components are omitted.  
The portions of the article in broken lines in FIGS. 8, 9, 17, 18, 26 and 27 indicate that the portions are cut surfaces and are shown for illustrative purposes only and form no part of the claimed design. Double-hatching portions shown in FIGS. 8, 9, 17, 18, 26 and 27 indicate that the portions are transparent.

**1 Claim, 27 Drawing Sheets**

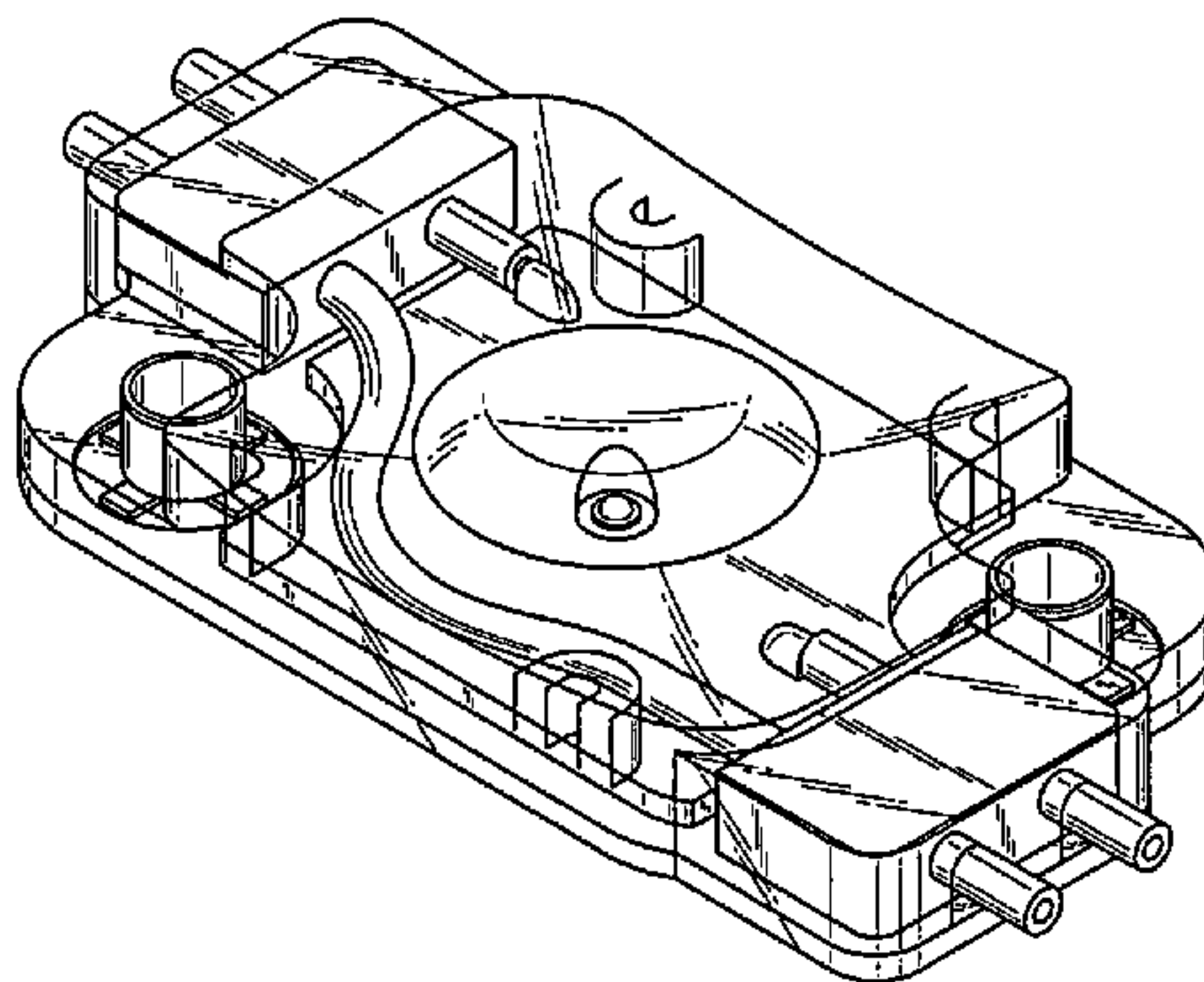


Fig. 1

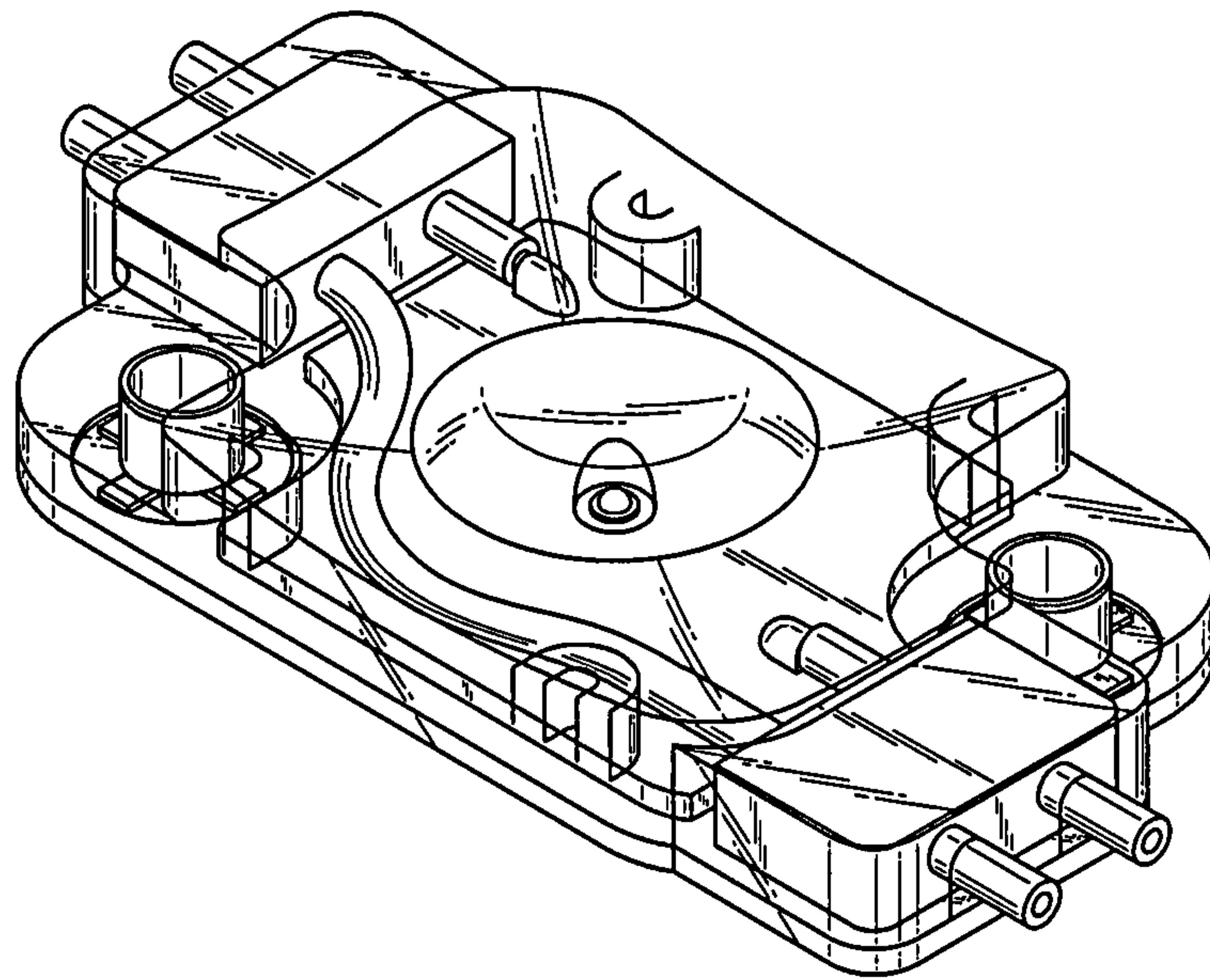


Fig.2

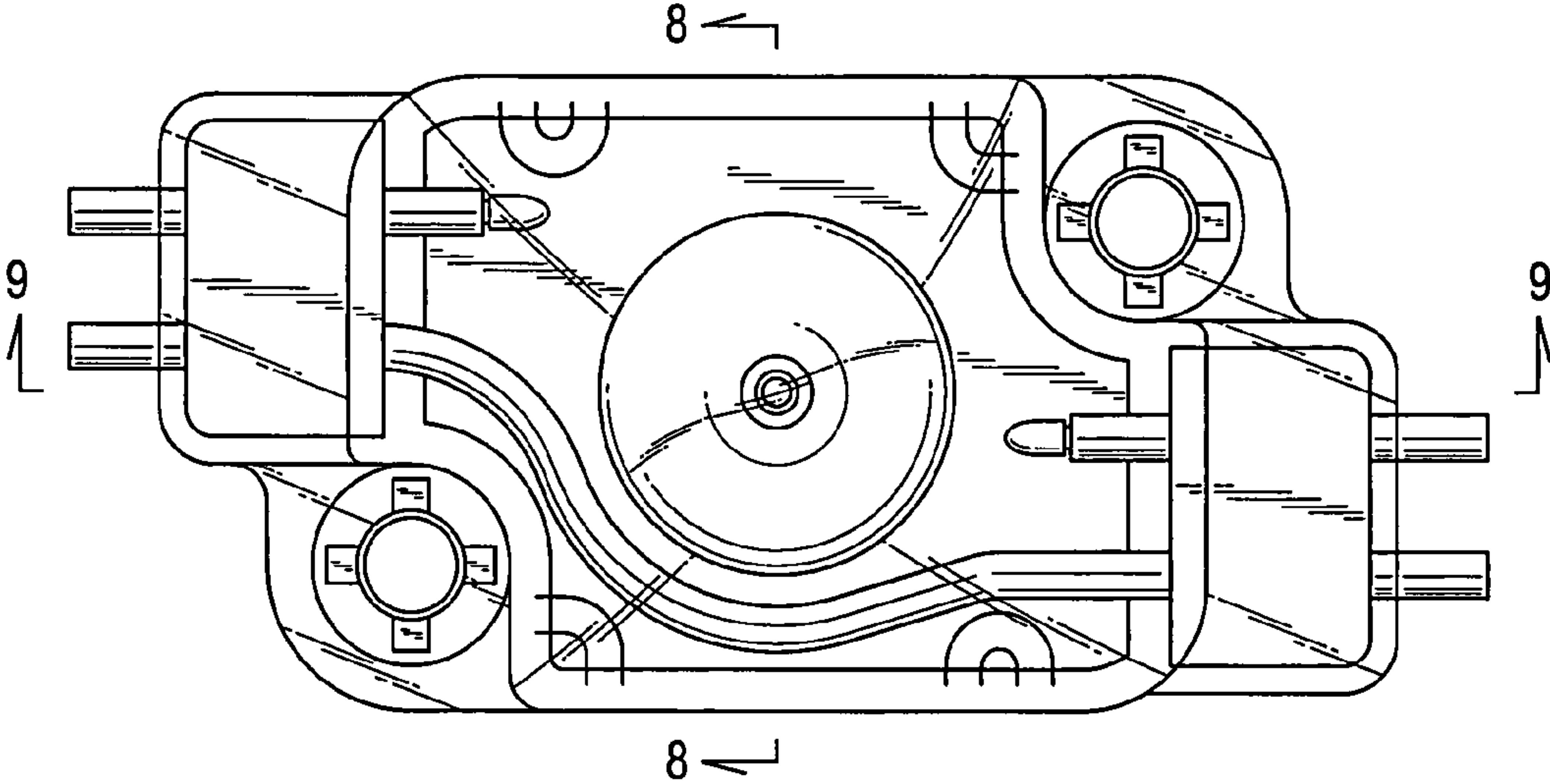


Fig.3

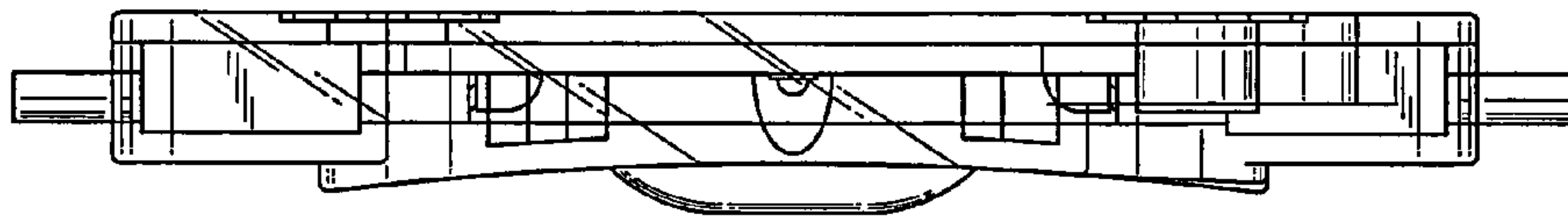


Fig.4

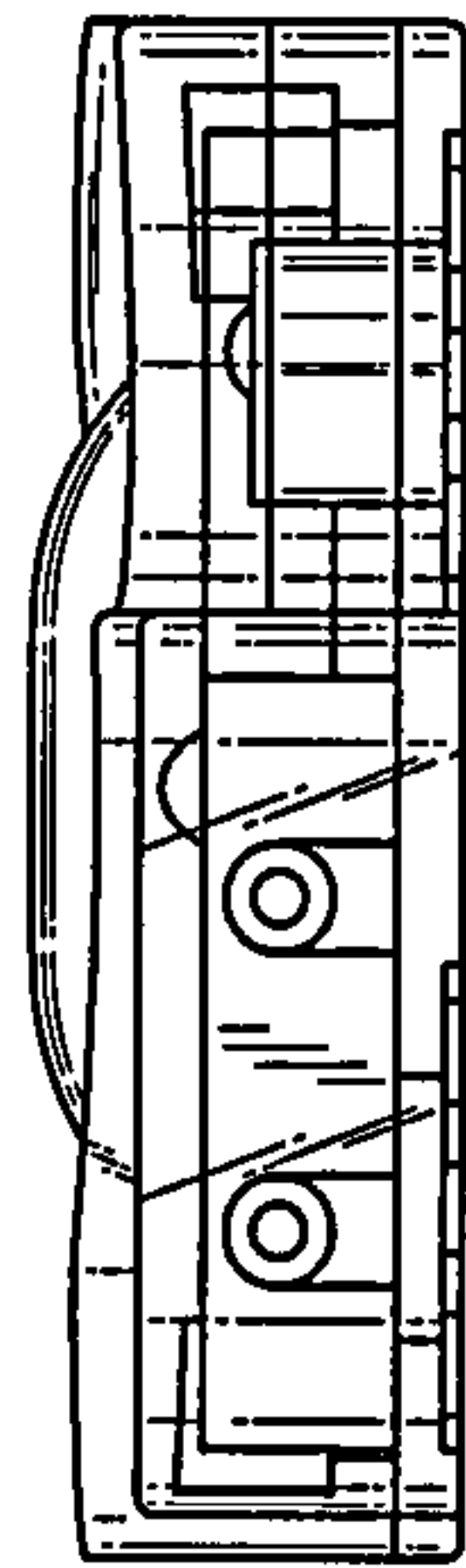


Fig.5

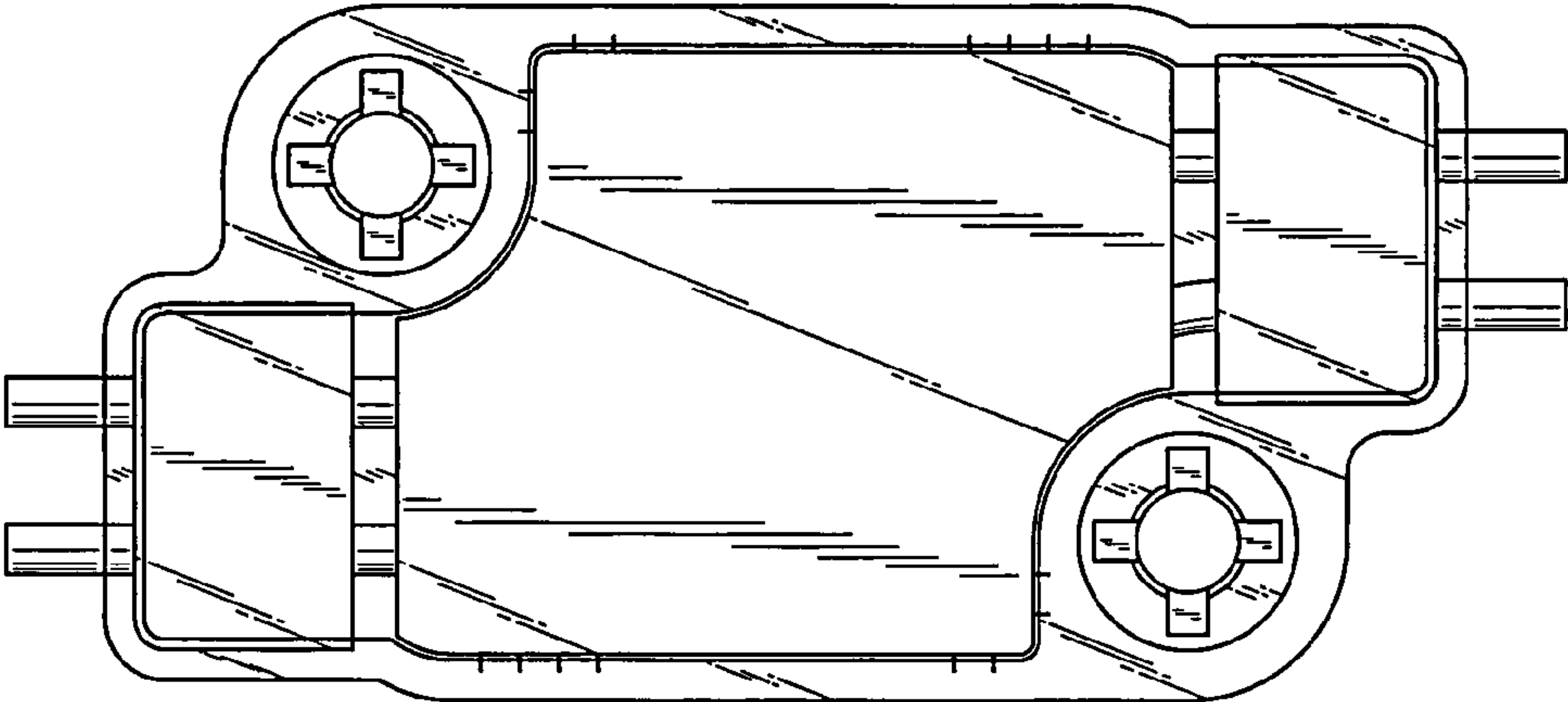


Fig.6

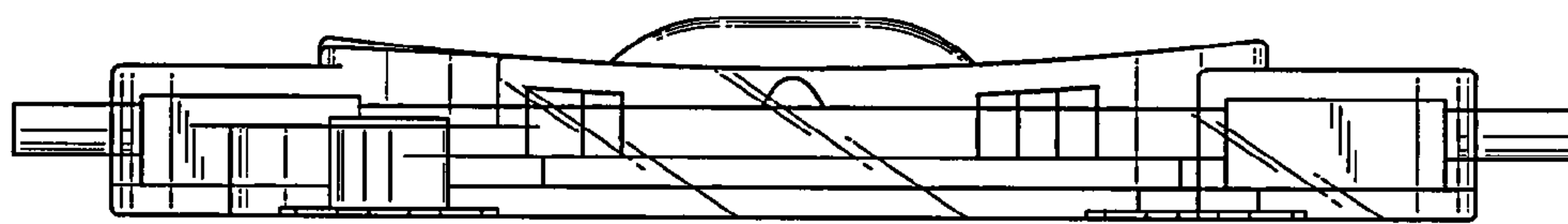




Fig.7

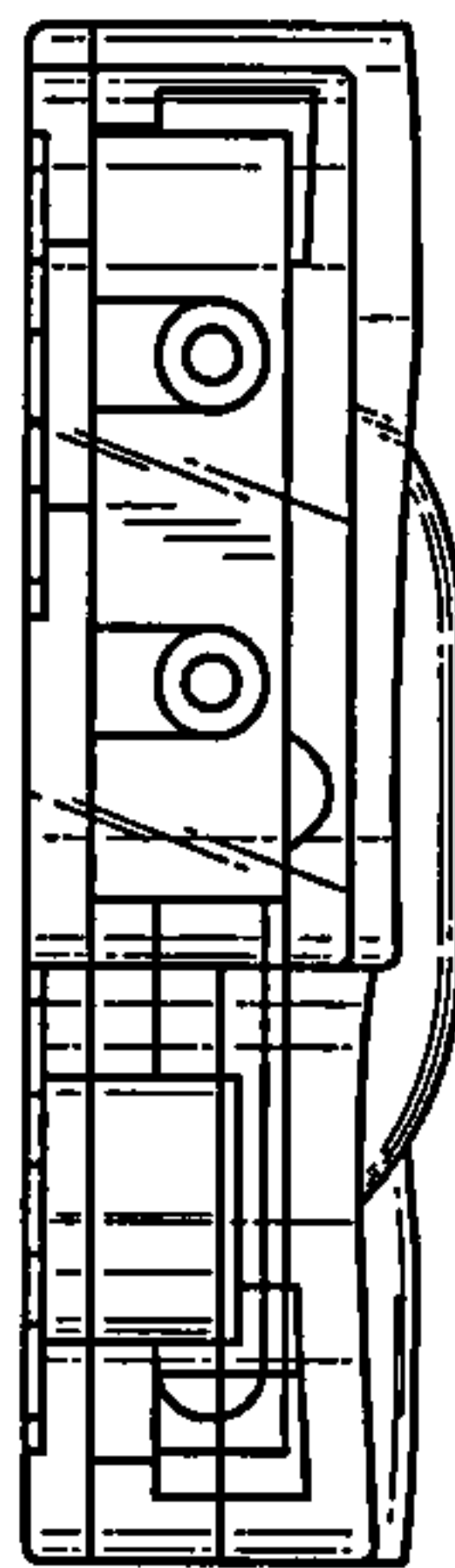




Fig.8

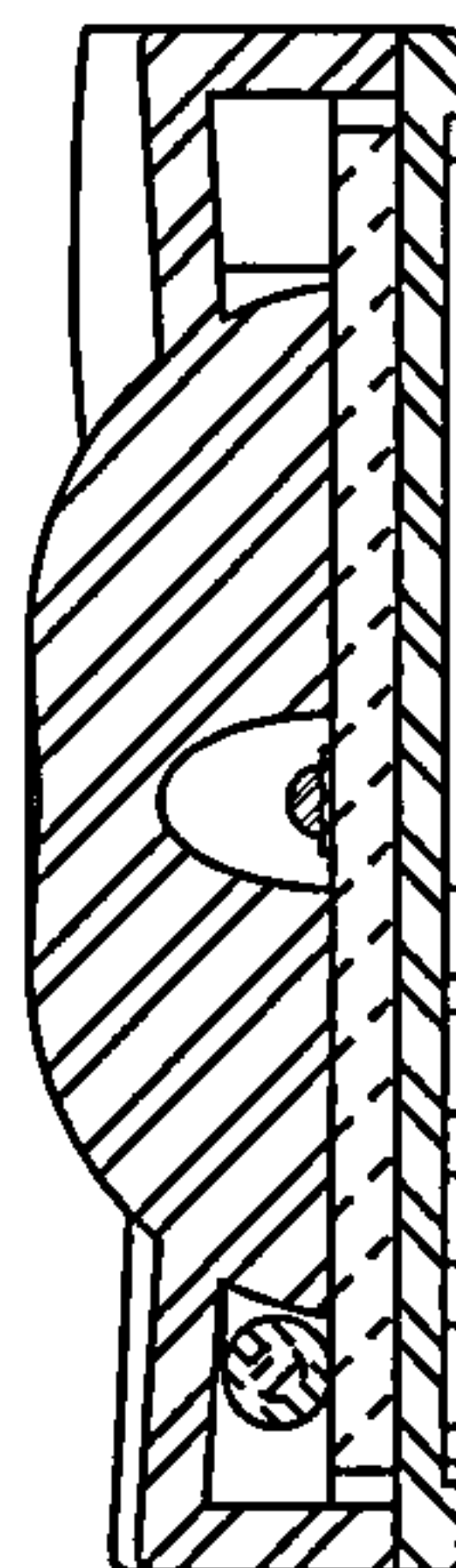


Fig.9

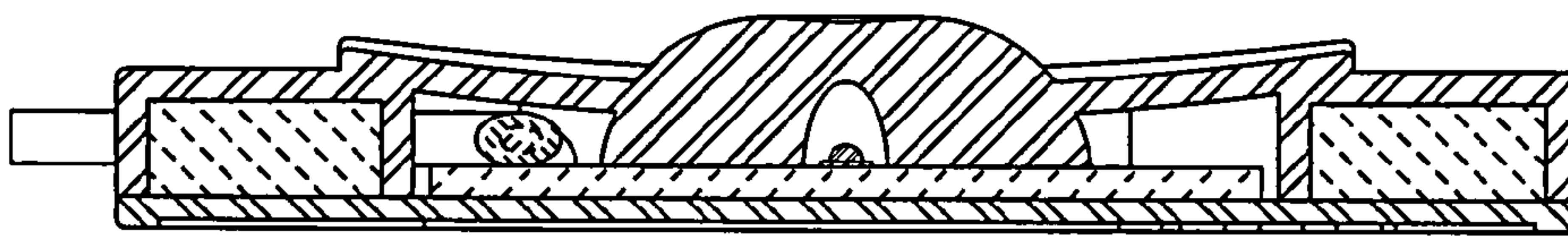


Fig.10

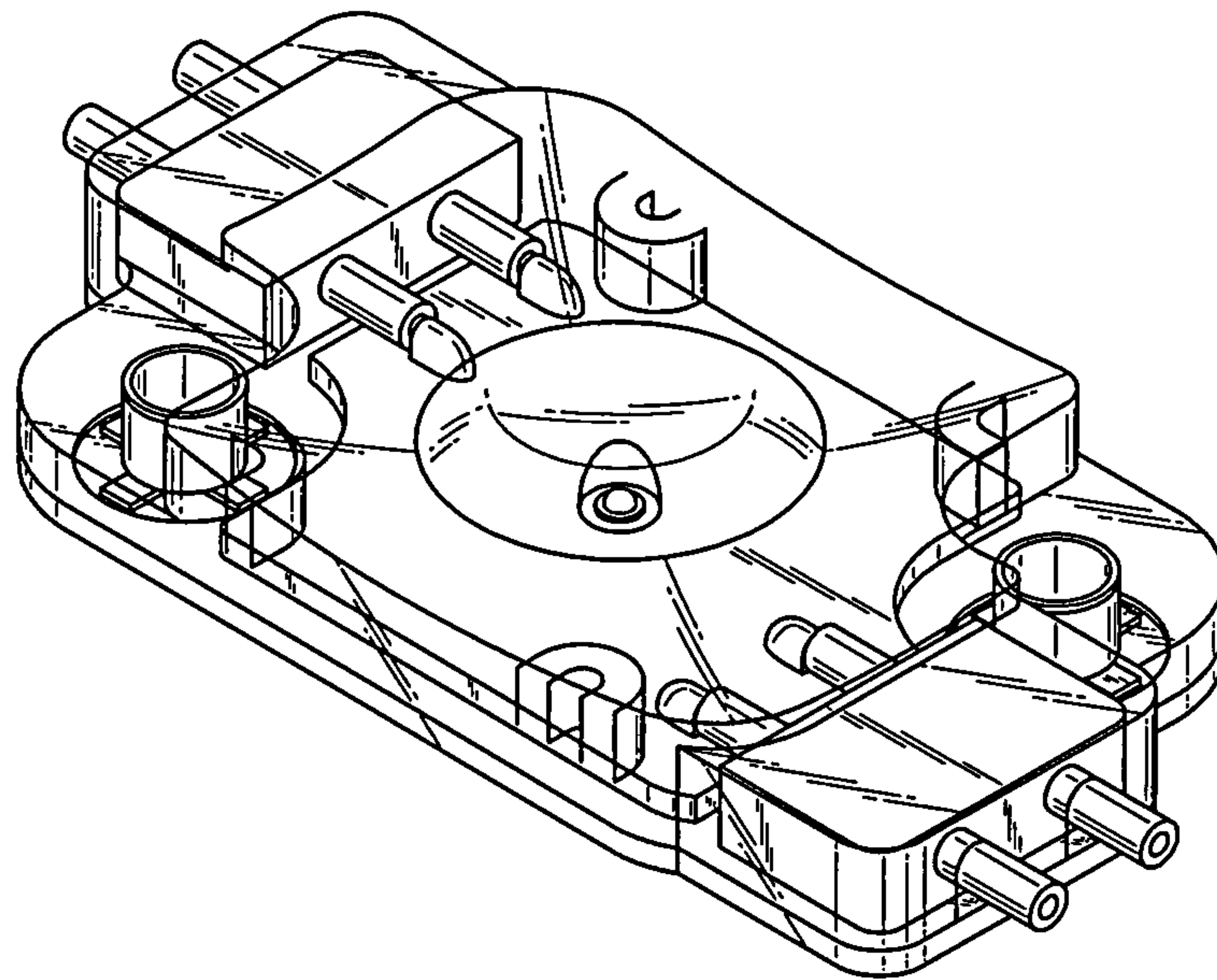


Fig. 11

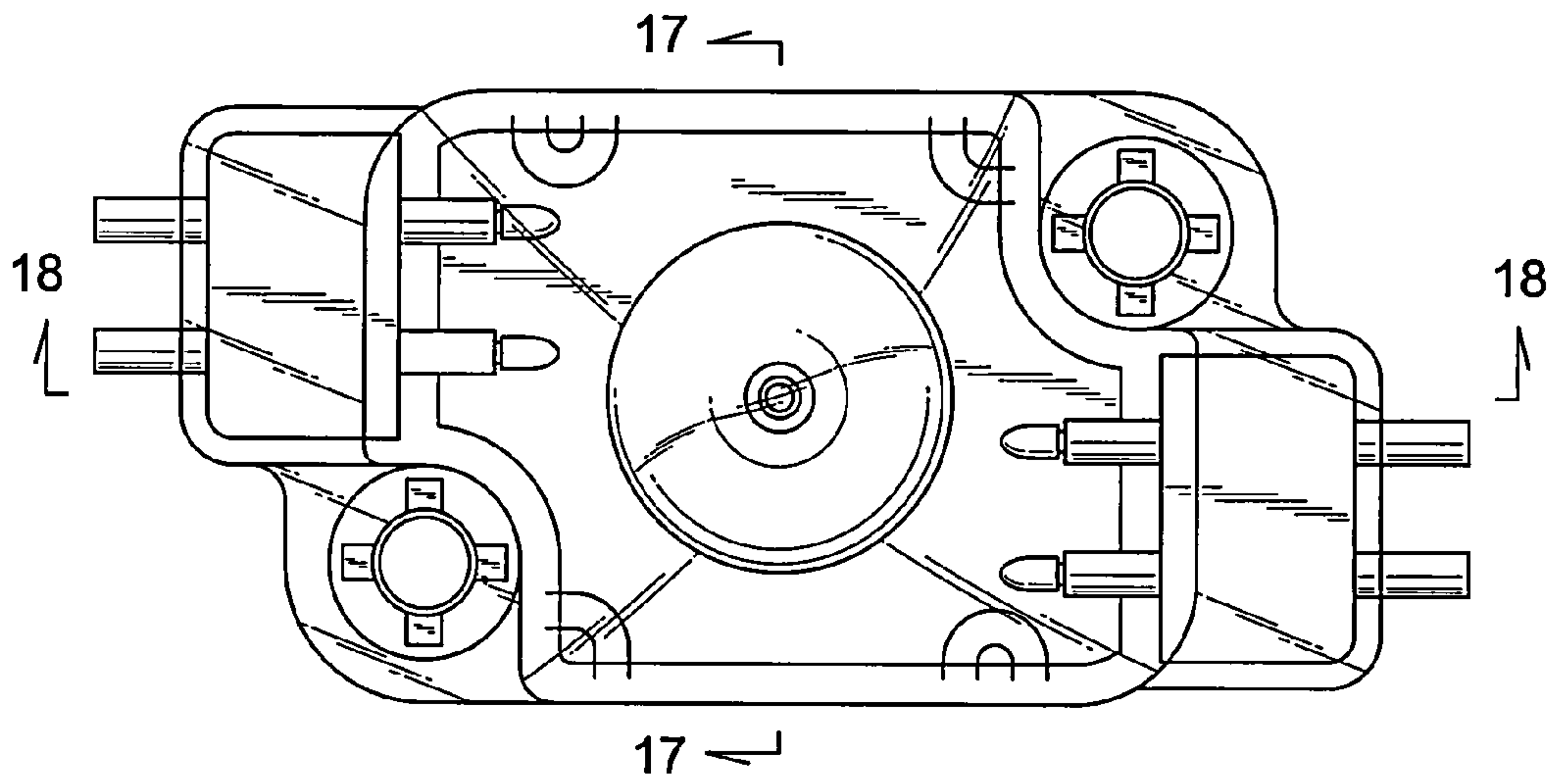


Fig.12

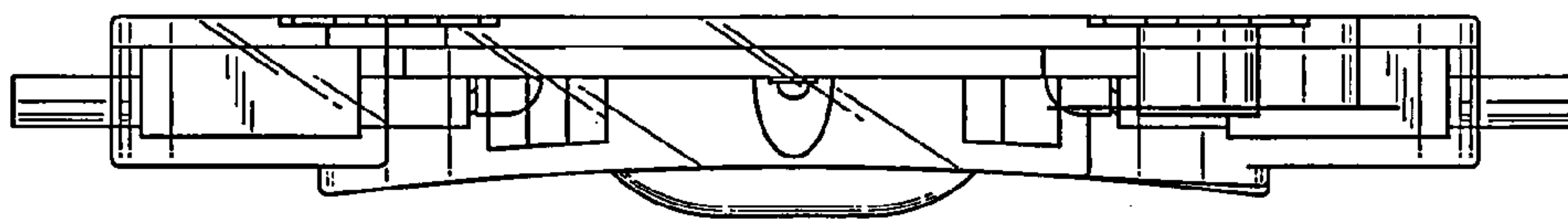


Fig. 13

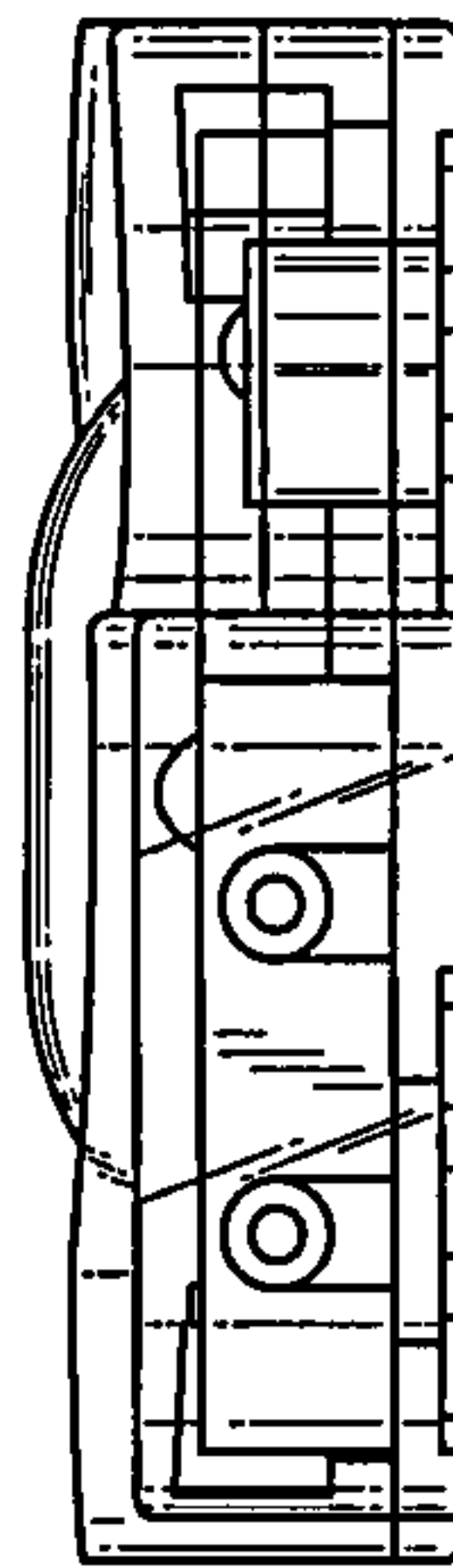


Fig.14

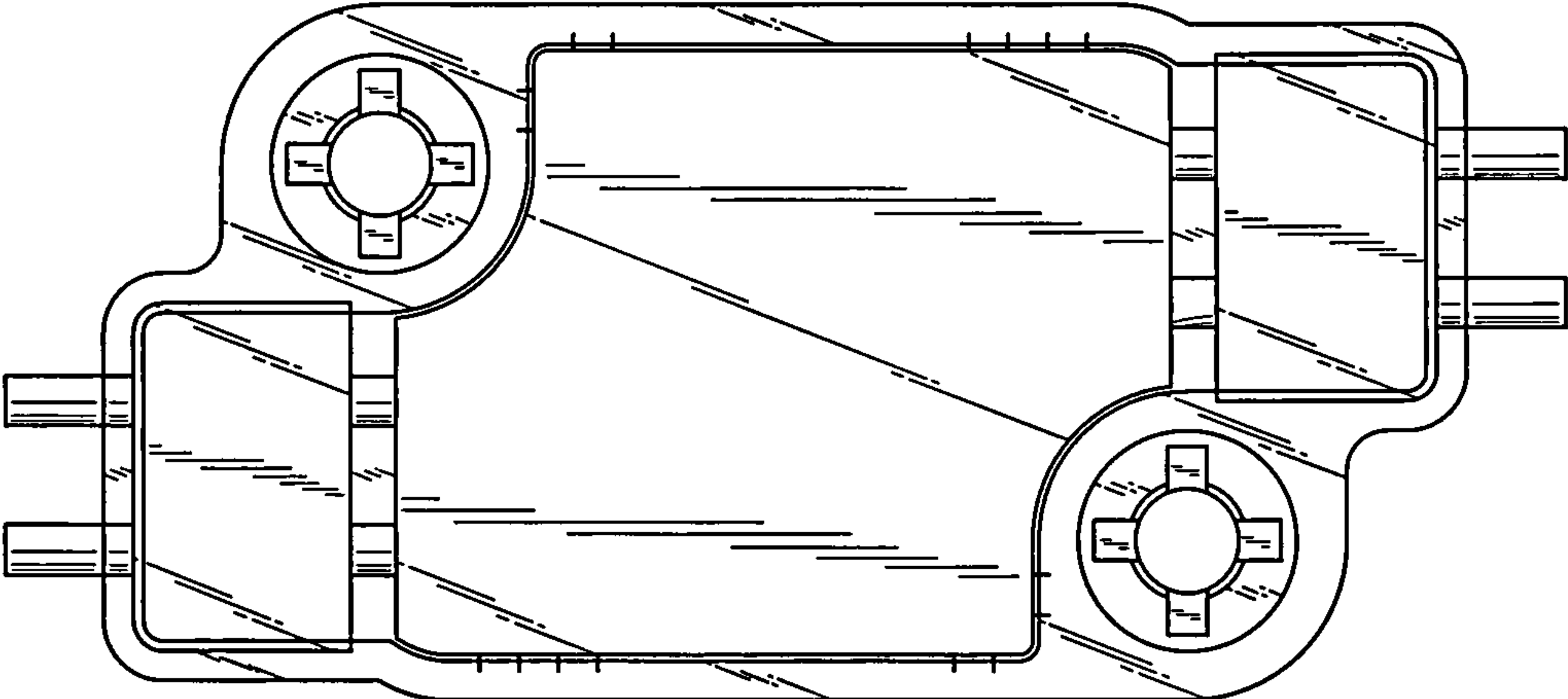




Fig.15

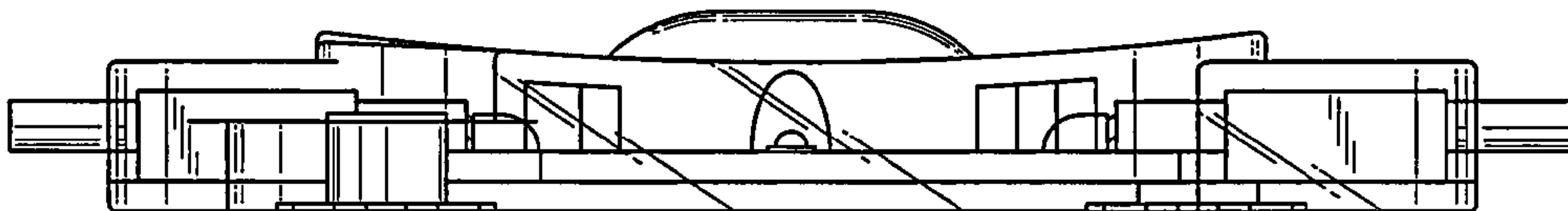


Fig. 16

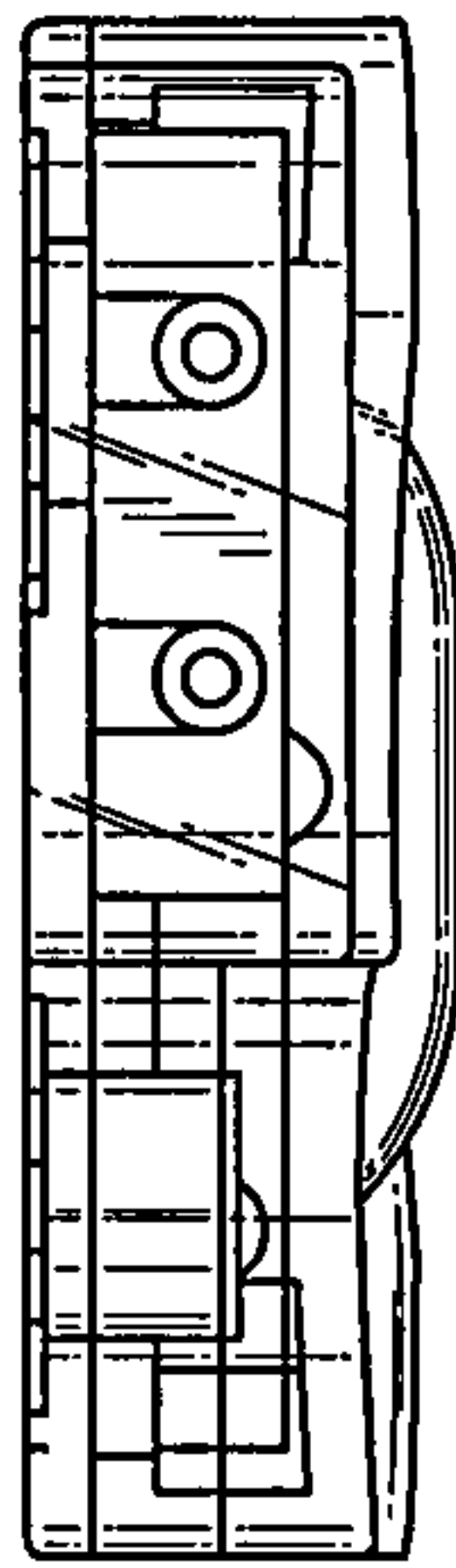


Fig.17

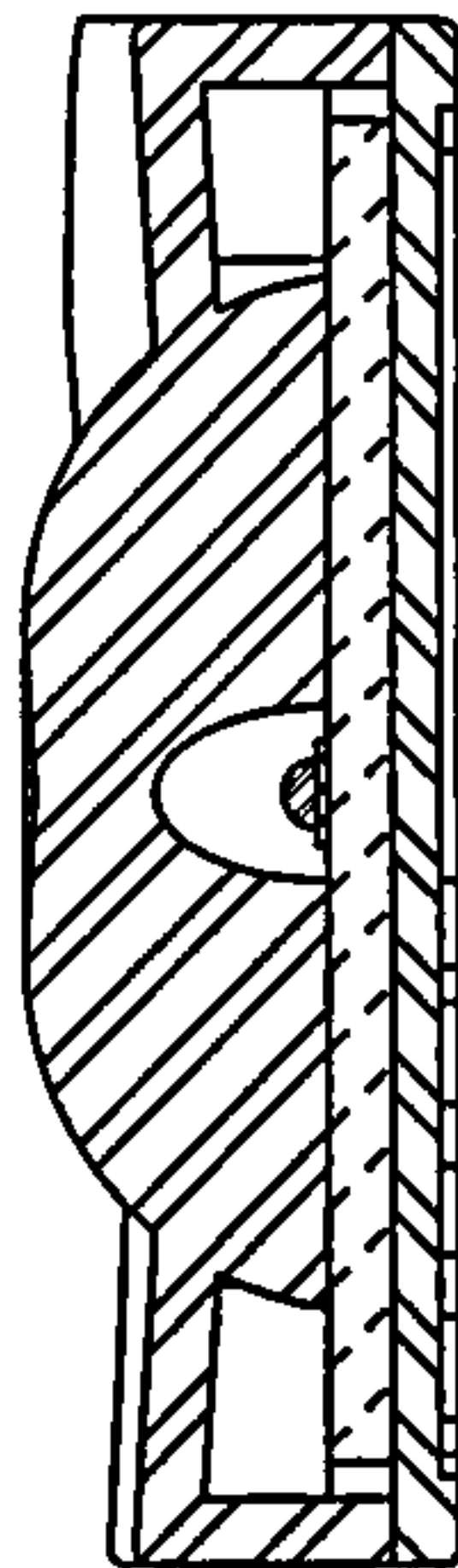


Fig.18

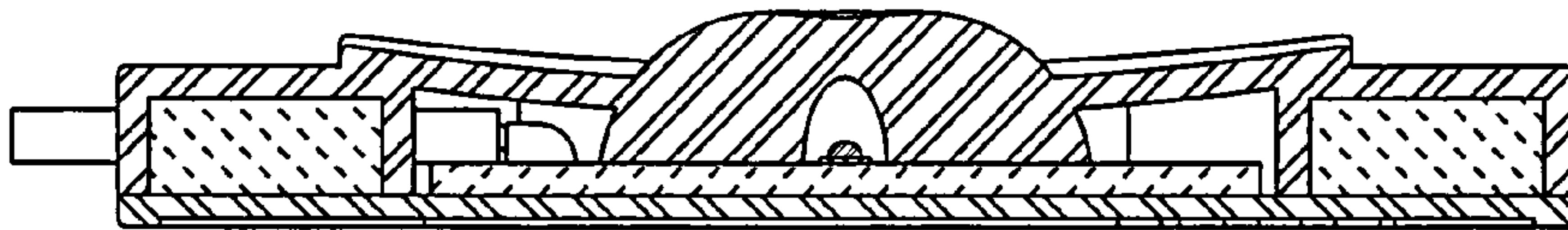


Fig. 19

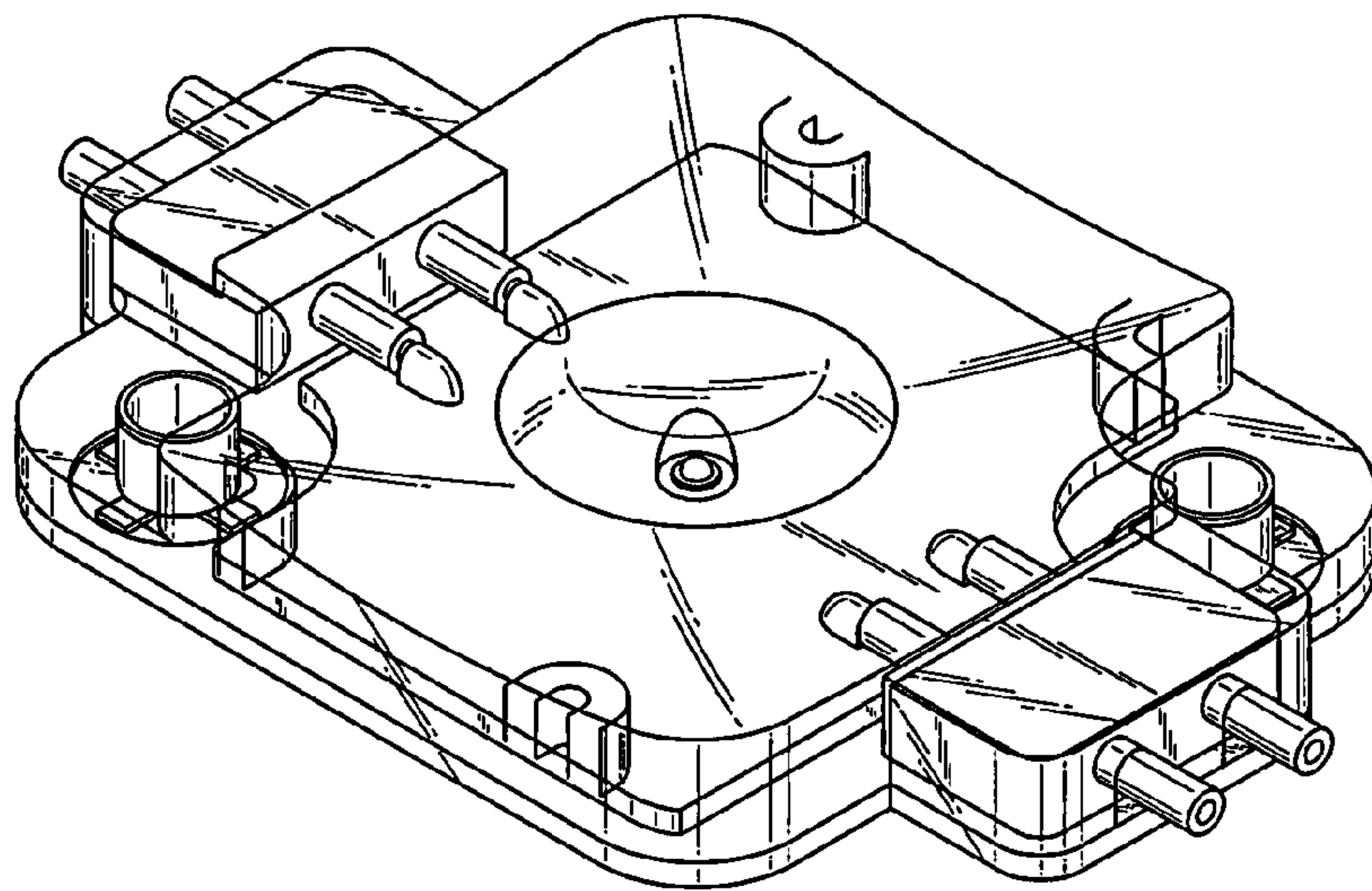


Fig.20

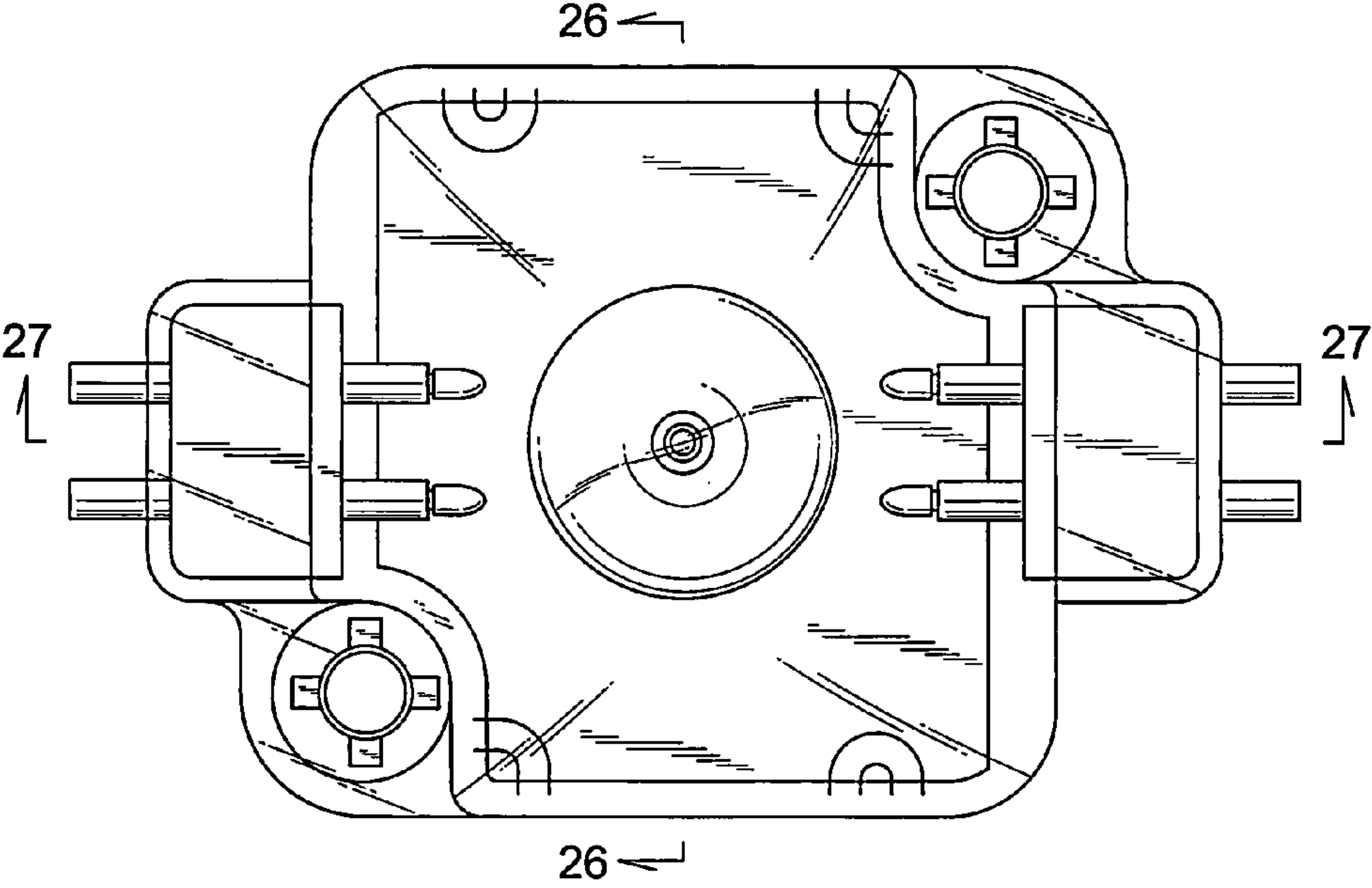


Fig.21

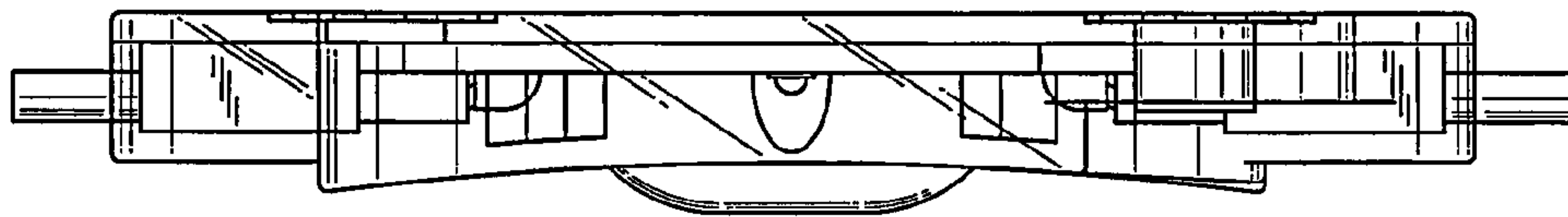




Fig.22

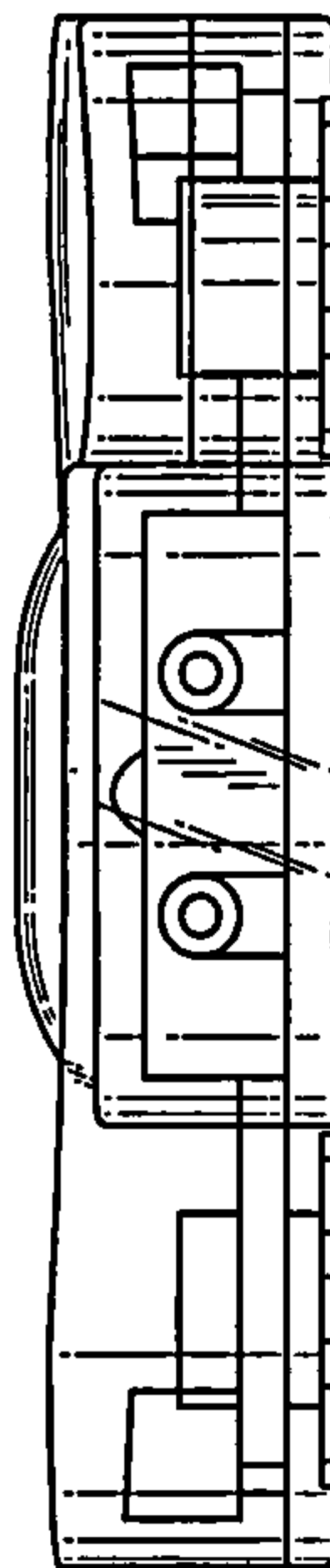


Fig.23

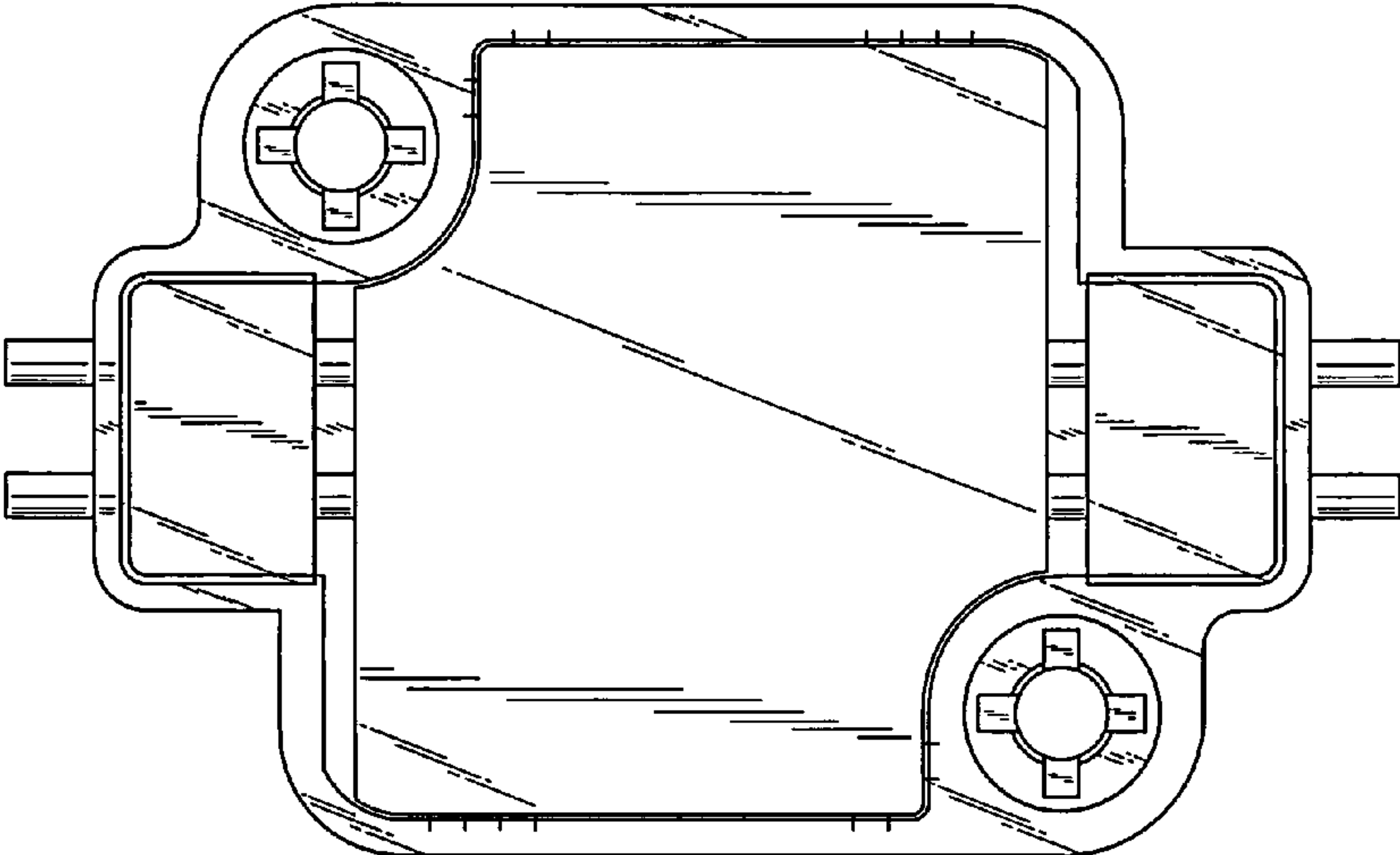


Fig.24

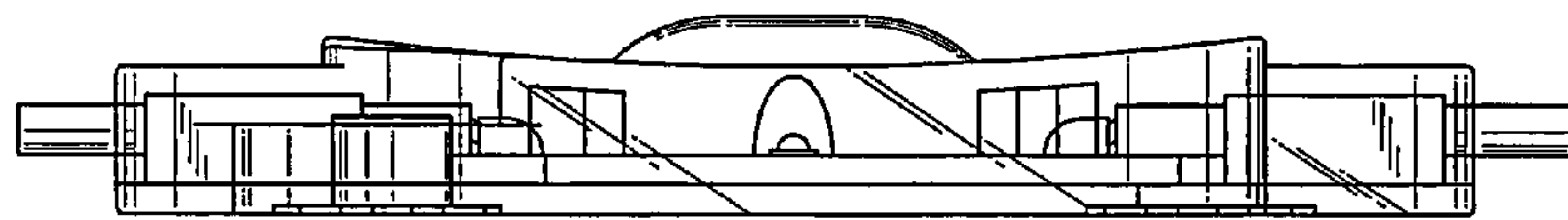


Fig.25

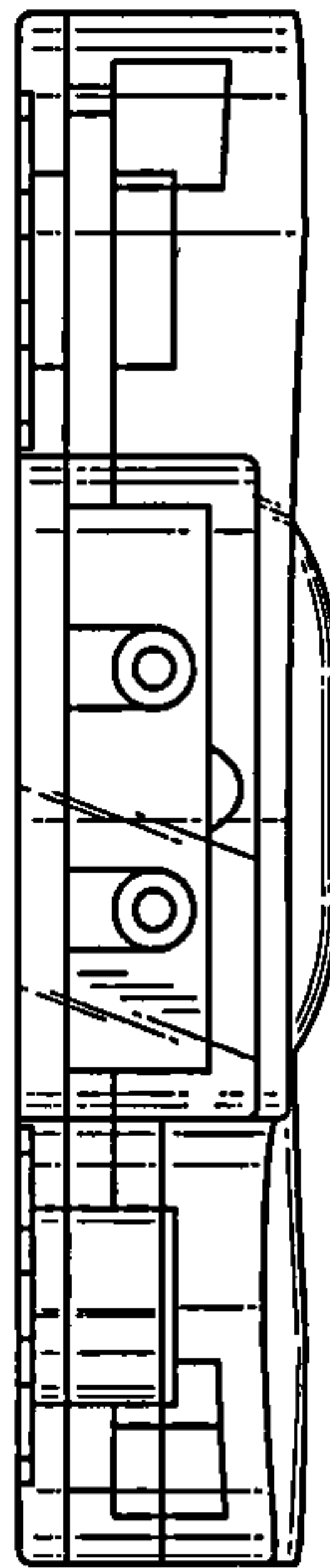


Fig.26

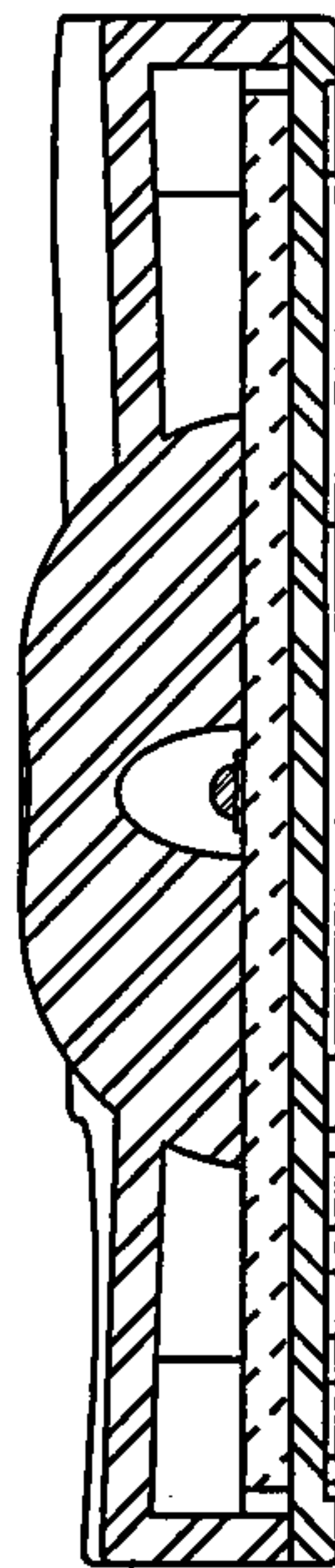


Fig.27

