



US00D693032S

(12) **United States Design Patent**  
**Takeda et al.**

(10) **Patent No.:** **US D693,032 S**

(45) **Date of Patent:** **\*\* Nov. 5, 2013**

(54) **LIGHT EMITTING DIODE MODULE**

D683,481 S \* 5/2013 Bierhuizen et al. .... D26/1

(75) Inventors: **Katsuhiro Takeda**, Osaka (JP); **Minoru Bannai**, Osaka (JP); **Toyohiro Maruyama**, Osaka (JP); **Takashi Oosugi**, Osaka (JP)

\* cited by examiner

*Primary Examiner* — Marcus Jackson

(74) *Attorney, Agent, or Firm* — Marvin A. Motsenbocker; Motts Law, PLLC

(73) Assignee: **Panasonic Corporation**, Kadoma-shi (JP)

(57) **CLAIM**

The ornamental design for a light emitting diode module, as shown and described.

(\*\*) Term: **14 Years**

**DESCRIPTION**

(21) Appl. No.: **29/413,910**

(22) Filed: **Feb. 22, 2012**

(30) **Foreign Application Priority Data**

Aug. 22, 2011 (JP) ..... 2011-018912

(51) **LOC (9) Cl.** ..... **26-04**

(52) **U.S. Cl.**  
USPC ..... **D26/1; D13/180**

(58) **Field of Classification Search**  
USPC ..... D26/1; D13/180-182; 313/313, 315, 313/316, 317, 318, 493; 362/555, 800  
See application file for complete search history.

FIG. 1 is a front perspective view of a light emitting diode module;

FIG. 2 is a front view thereof;

FIG. 3 is a right side view thereof;

FIG. 4 is a top plan view thereof;

FIG. 5 is a rear view thereof;

FIG. 6 is a bottom plan view thereof;

FIG. 7 is a left side view thereof;

FIG. 8 is a sectional view thereof taken along line 8-8 in FIG. 2, in which the internal components are omitted; and,

FIG. 9 is a sectional view thereof taken along line 9-9 in FIG. 2, in which the internal components are omitted.

The portions of the article in broken lines are shown for illustrative purposes only and form no part of the claimed design. The long-dash-short-dash line in figures indicates the boundary between claimed portions and unclaimed portions. Double-hatching portions shown in FIGS. 8 and 9 indicate that the portions are transparent.

(56) **References Cited**

U.S. PATENT DOCUMENTS

D634,863 S \* 3/2011 Leung ..... D26/1  
D636,899 S \* 4/2011 Shibahara ..... D26/1  
D667,145 S \* 9/2012 Bierhuizen et al. .... D26/1

**1 Claim, 9 Drawing Sheets**

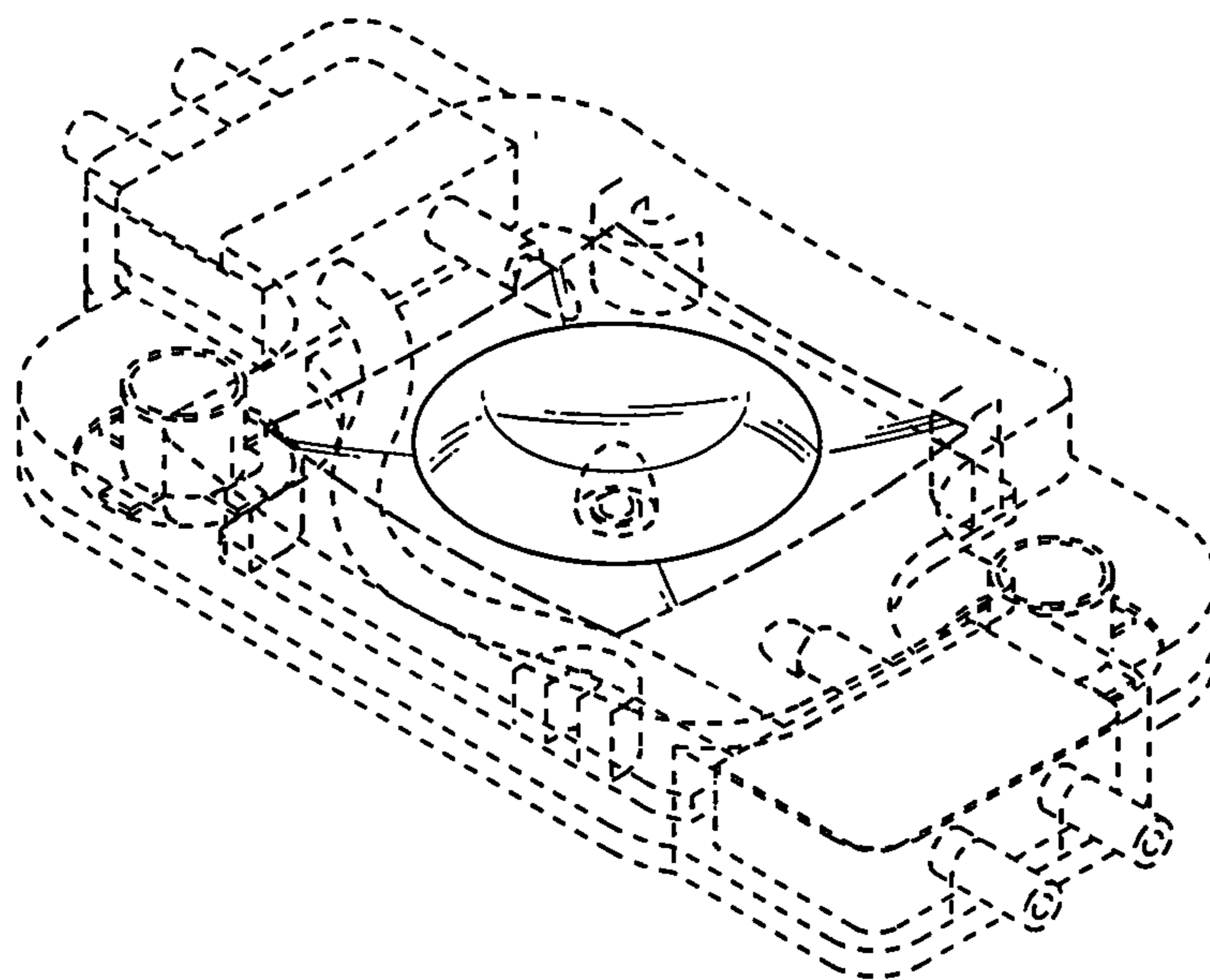


Fig. 1

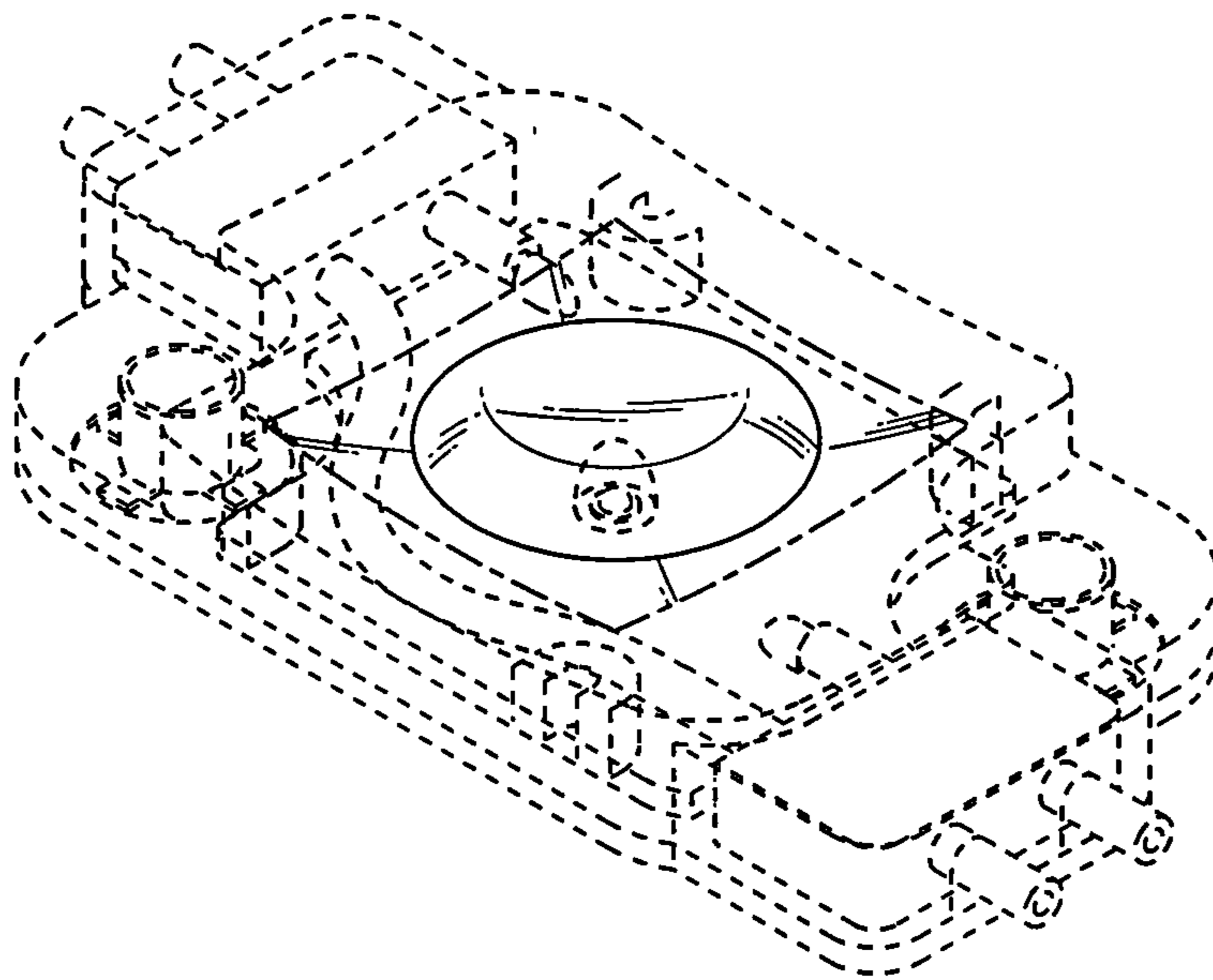


Fig.2

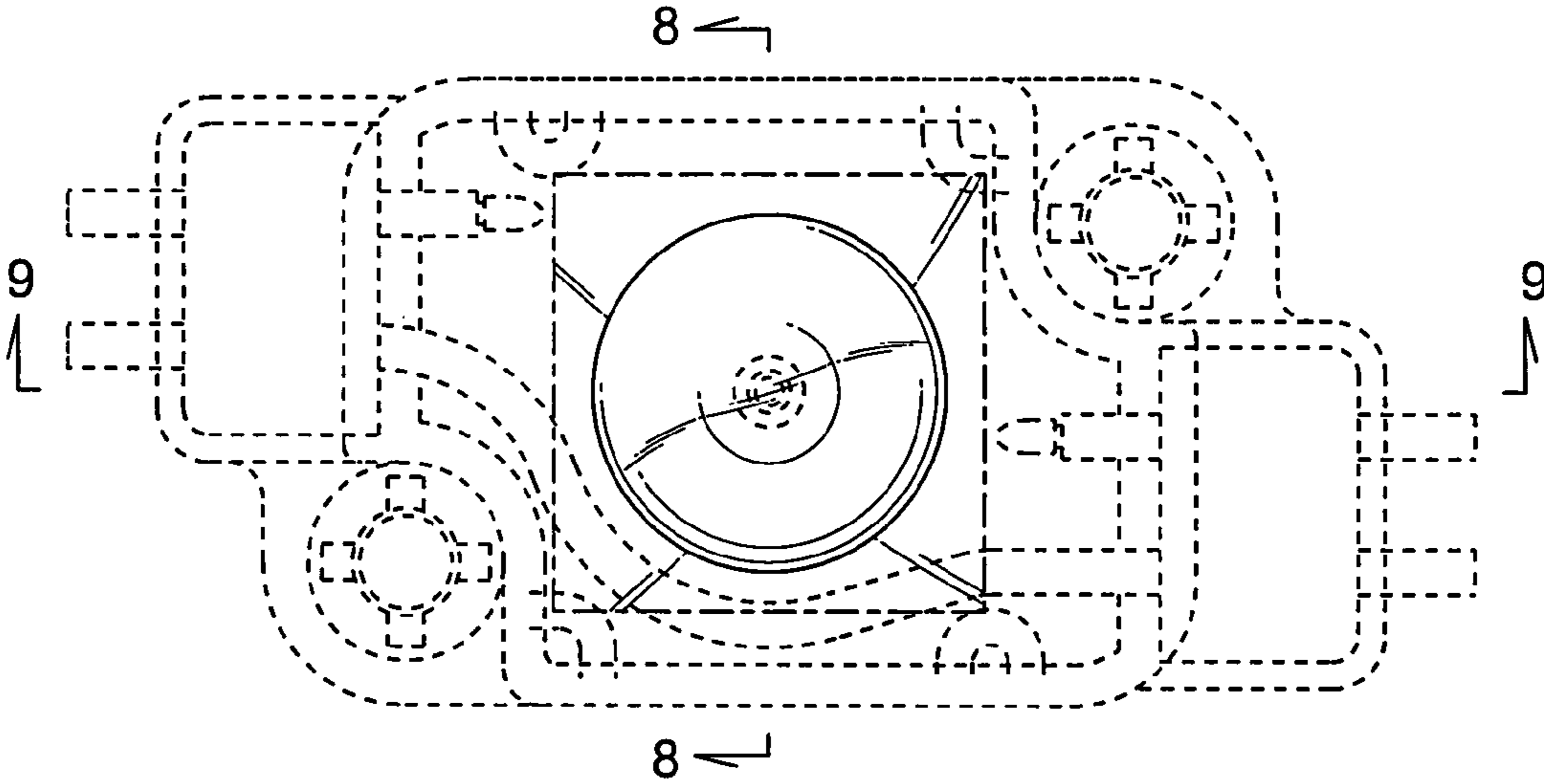


Fig.3

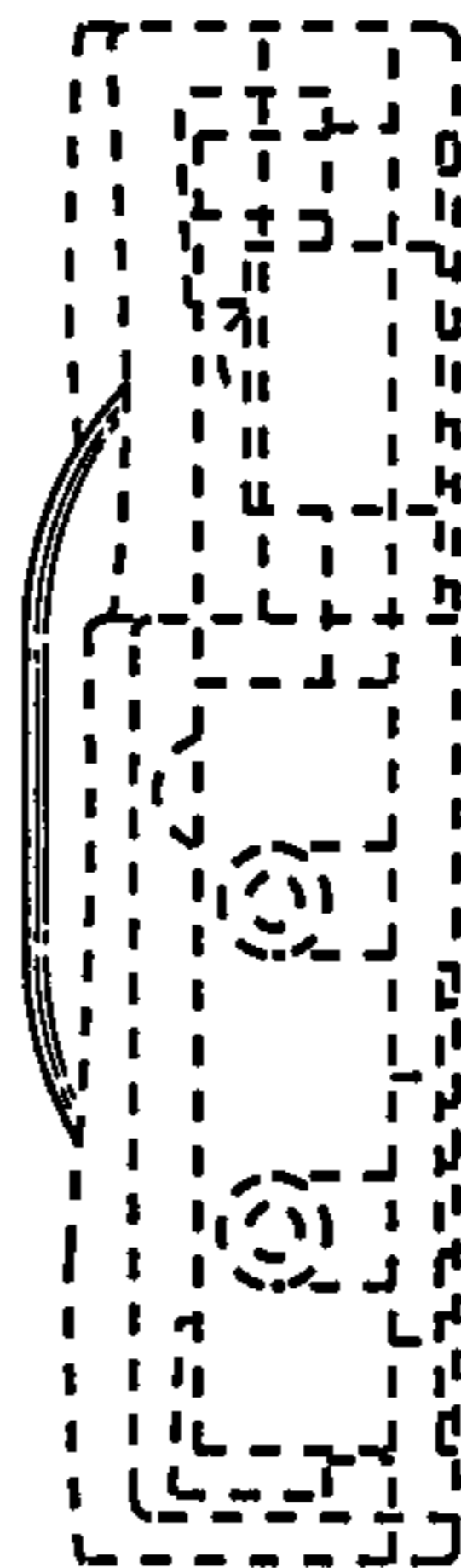


Fig.4

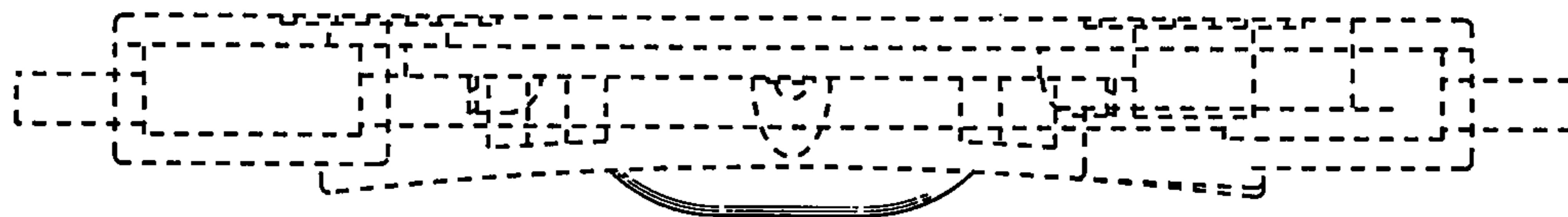


Fig.5

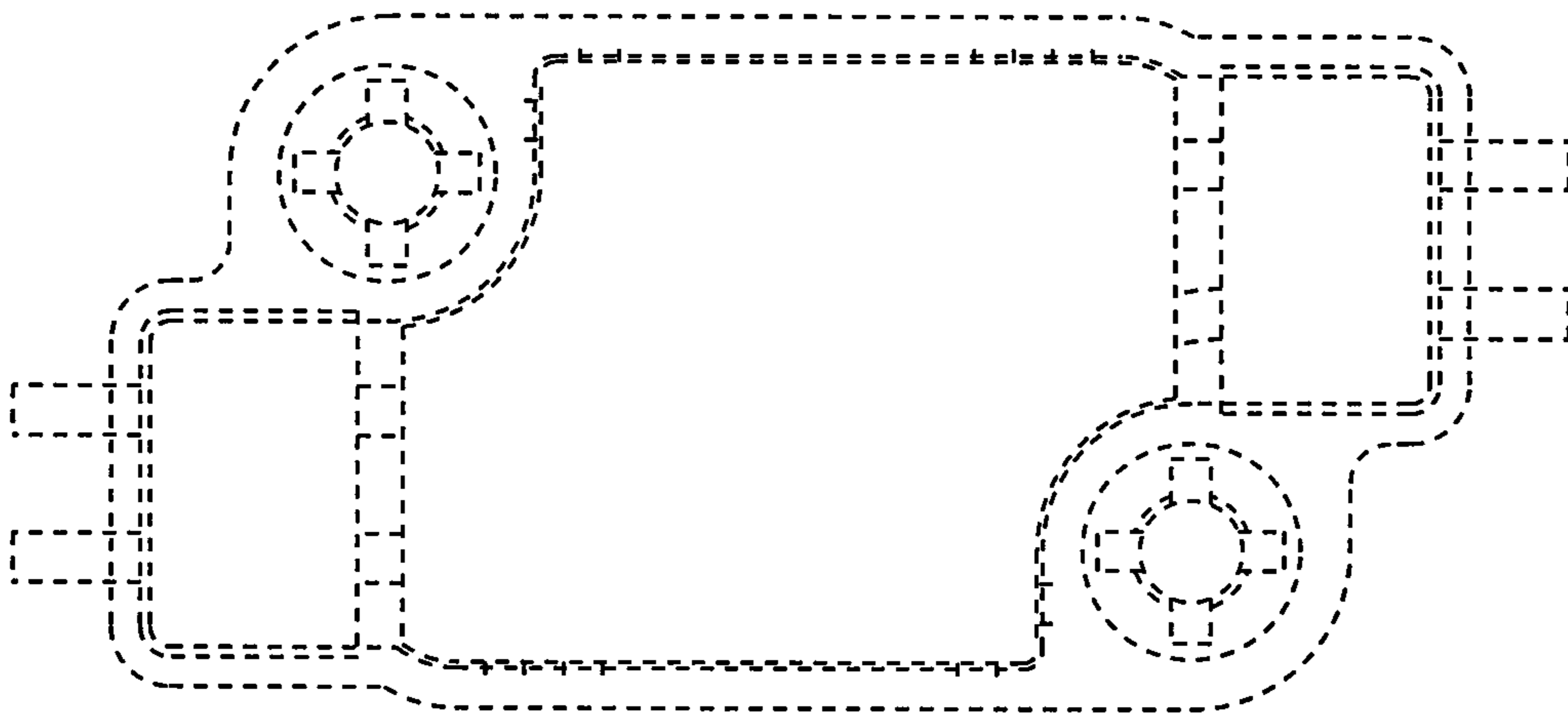


Fig.6

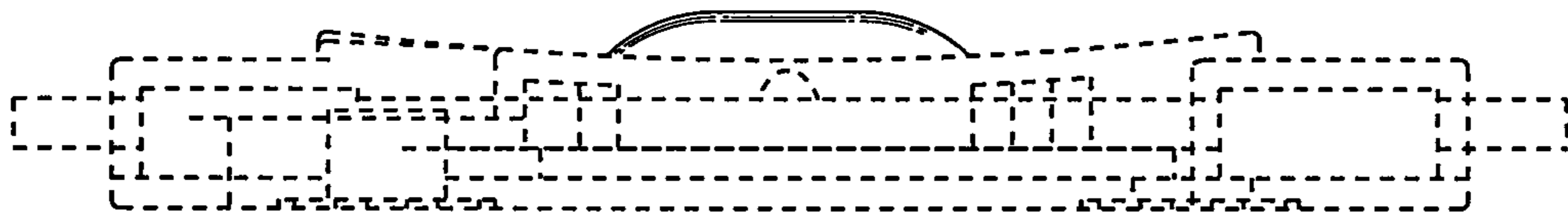


Fig.7





Fig. 8

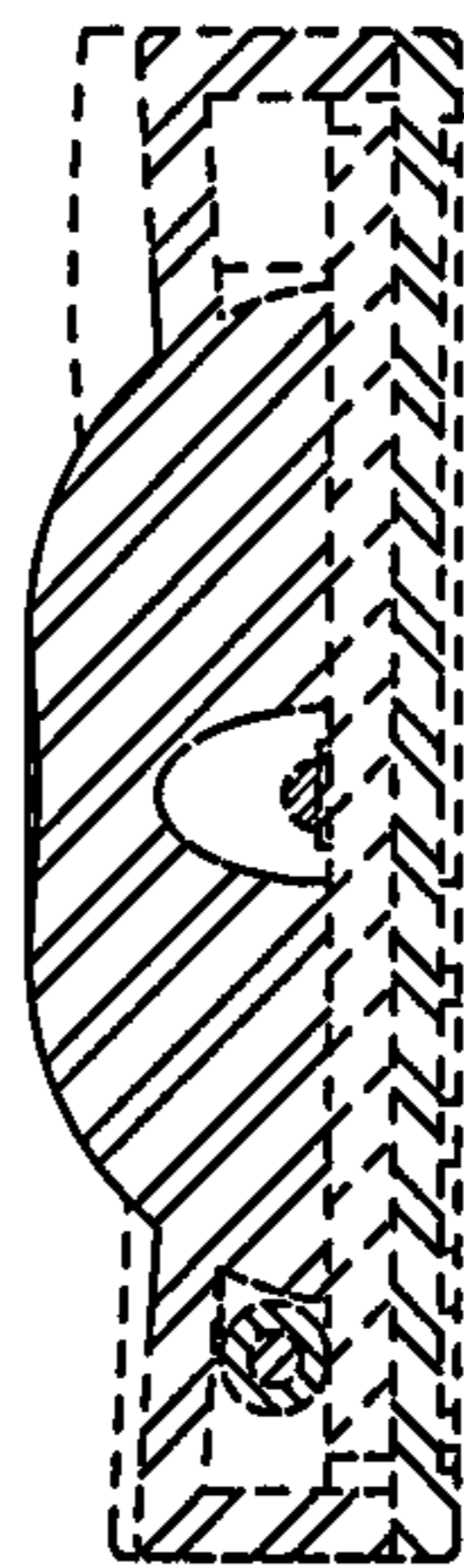


Fig.9

