



US00D693030S

(12) **United States Design Patent**  
**Wickland**

(10) **Patent No.:** **US D693,030 S**

(45) **Date of Patent:** **\*\* Nov. 5, 2013**

(54) **WINDOW COMPONENT EXTRUSION**

(75) Inventor: **Timothy Todd Wickland**, Auburn, WA (US)

(73) Assignee: **Mikron Industries, Inc.**, Kent, WA (US)

(\*\*) Term: **14 Years**

(21) Appl. No.: **29/421,692**

(22) Filed: **Aug. 31, 2012**

(51) **LOC (9) Cl.** ..... **25-01**

(52) **U.S. Cl.**  
USPC ..... **D25/124**

(58) **Field of Classification Search**  
USPC ..... D25/124; 52/204.1, 204.2, 204.5,  
52/204.51, 656.5, 656.6, 213, 215, 208,  
52/206, 212, 717.01, 209, 204.72, 579,  
52/793.1, 794.1, 216, 204.55, 656.2,  
52/656.7; 49/DIG. 2, 504, 501, 449, 180,  
49/183, 505

See application file for complete search history.

(56) **References Cited**

**U.S. PATENT DOCUMENTS**

D442,292	S	*	5/2001	Habeck et al.	.....	D25/124
D454,212	S	*	3/2002	Ballard et al.	.....	D25/124
6,857,232	B2	*	2/2005	Bealko	.....	52/211
7,845,135	B2	*	12/2010	Sibbett	.....	52/656.9

D640,802	S	*	6/2011	Fannan	.....	D25/124
2006/0026913	A1	*	2/2006	Turner	.....	52/204.5
2009/0000225	A1	*	1/2009	Ito et al.	.....	52/204.5

\* cited by examiner

*Primary Examiner* — Doris Clark

(74) *Attorney, Agent, or Firm* — Zollinger & Burleson Ltd.

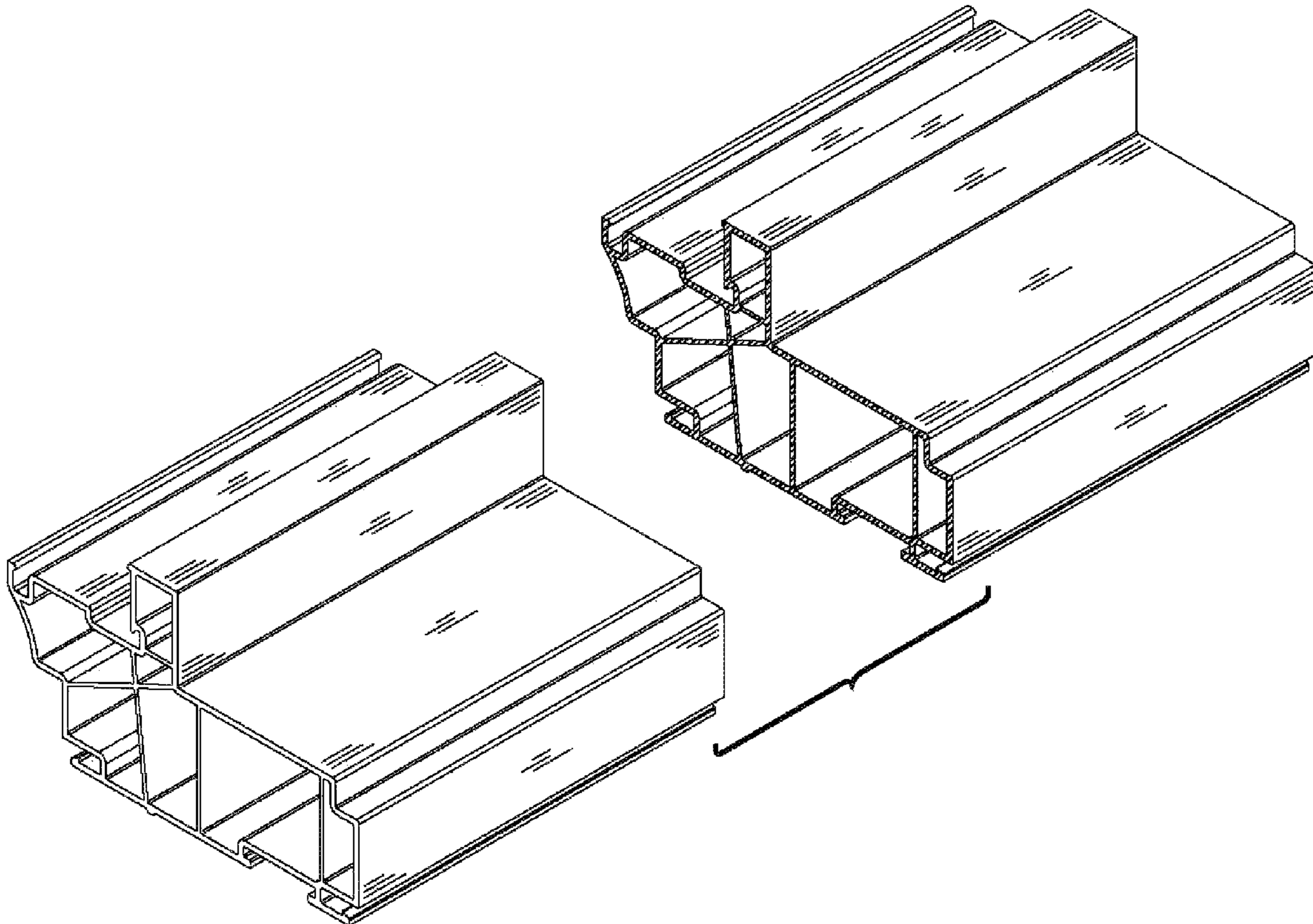
(57) **CLAIM**

The ornamental design for a window component extrusion, as shown and described.

**DESCRIPTION**

FIG. 1 is a top right perspective view of a first embodiment of the window component extrusion which is broken in the center indicating indefinite length, FIG. 2 is a bottom left perspective view of the window component extrusion shown in FIG. 1, FIG. 3 is a top right perspective view of a second embodiment of the window component extrusion which is broken in the center indicating indefinite length, FIG. 4 is a bottom left perspective view of the window component extrusion shown in FIG. 3, FIG. 5 is a top right perspective view of a third embodiment of the window component extrusion which is broken in the center indicating indefinite length; and, FIG. 6 is a bottom left perspective view of the window component extrusion shown in FIG. 5.

**1 Claim, 3 Drawing Sheets**



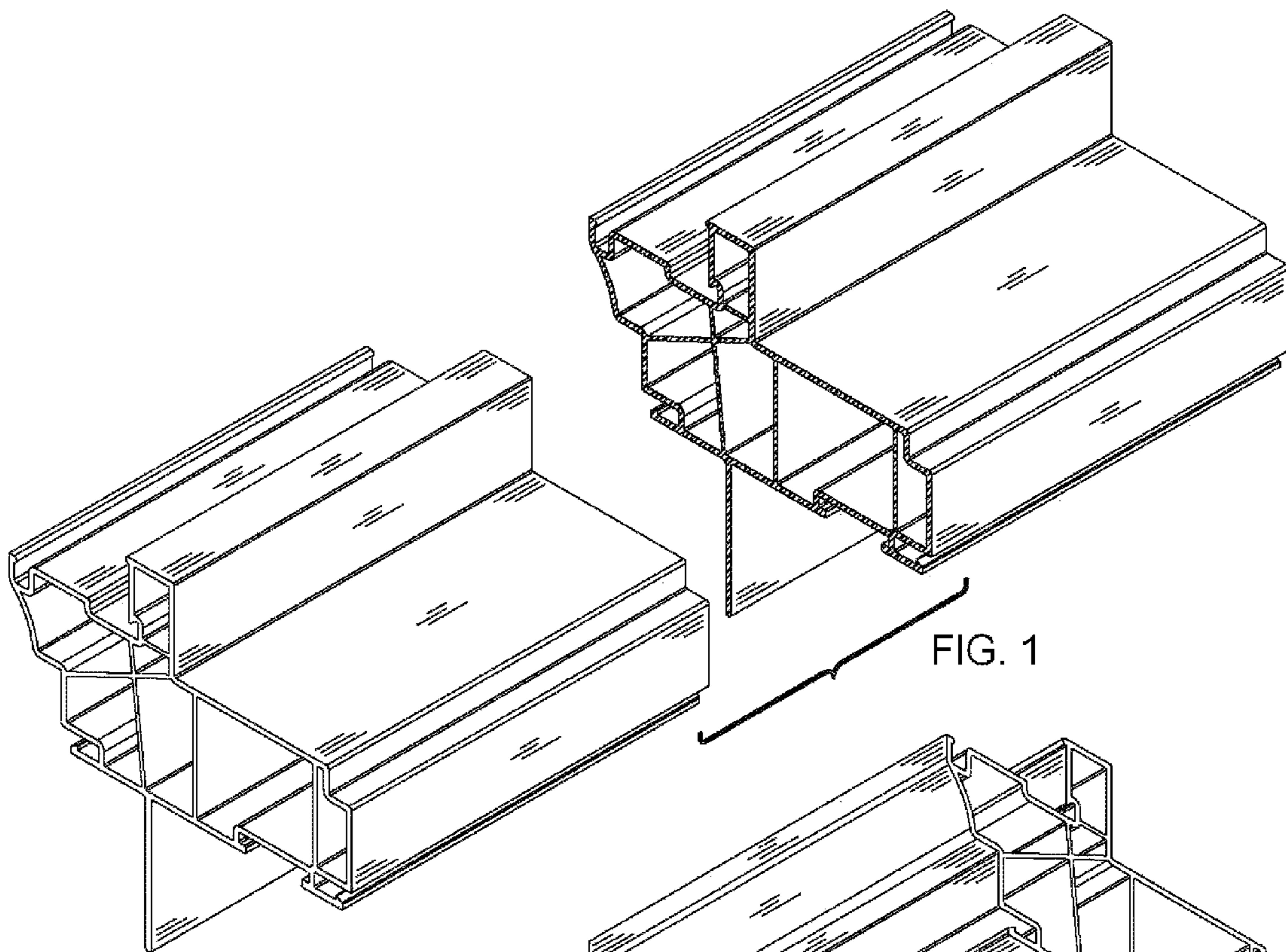


FIG. 1

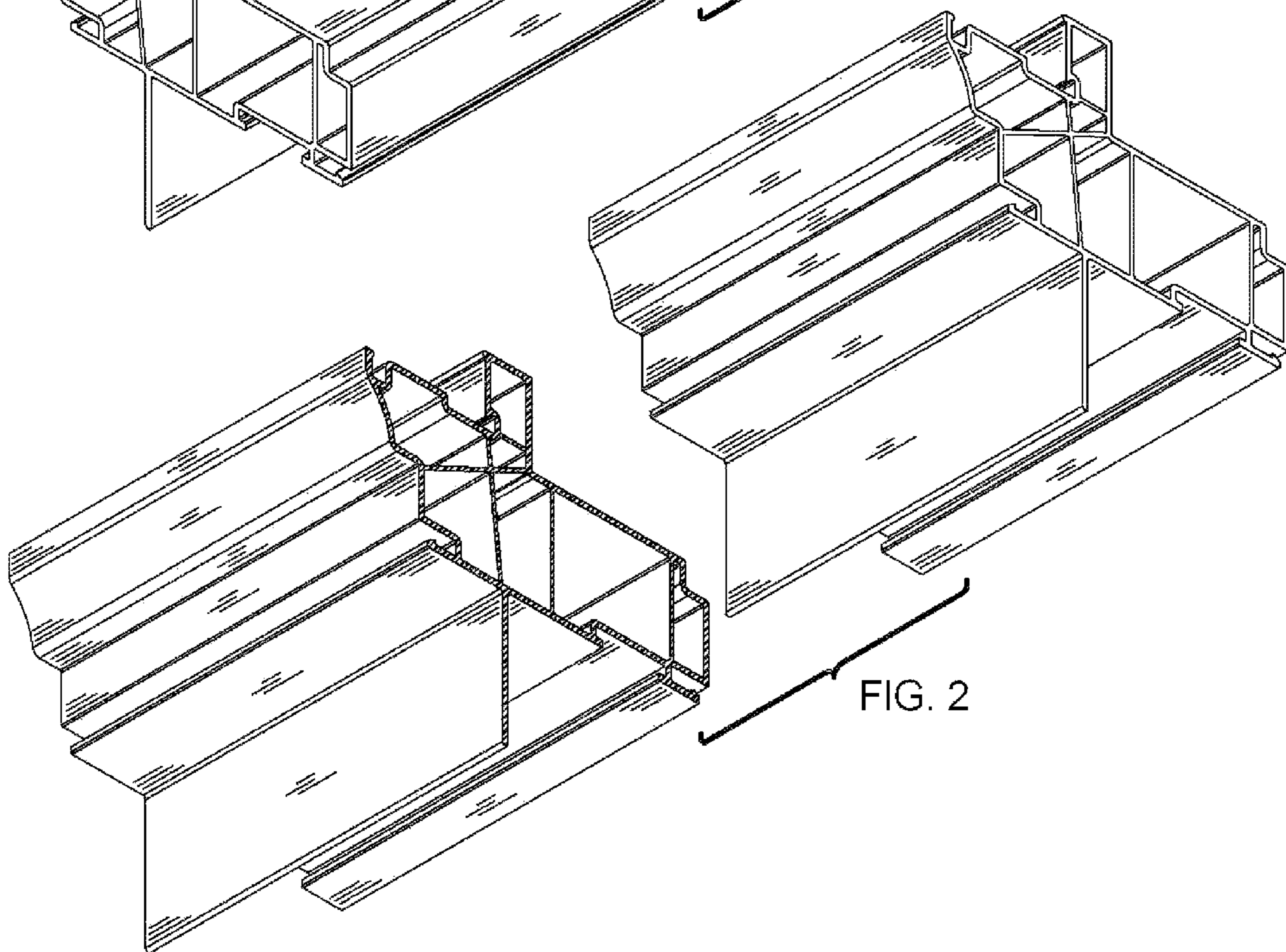


FIG. 2

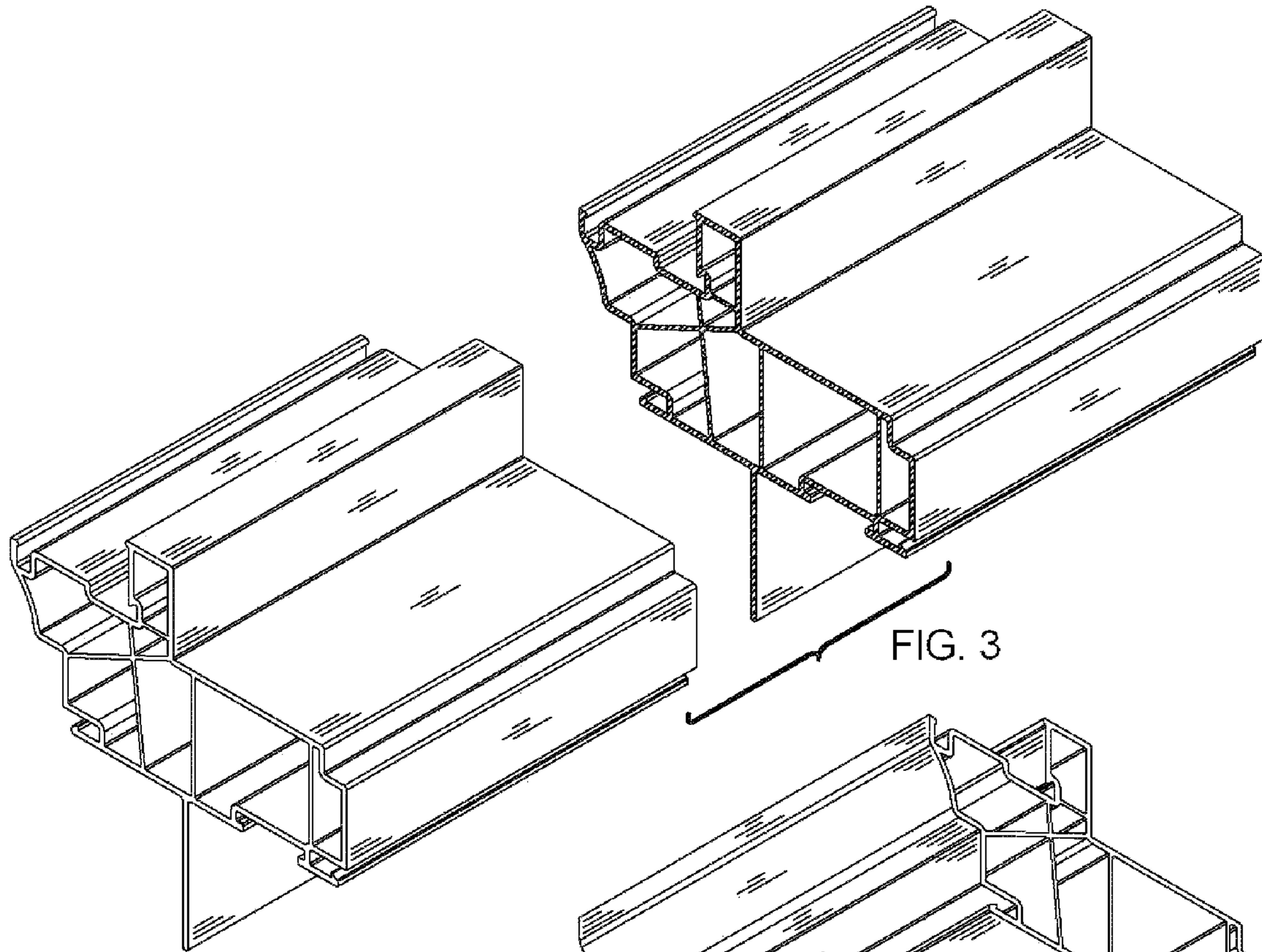


FIG. 3

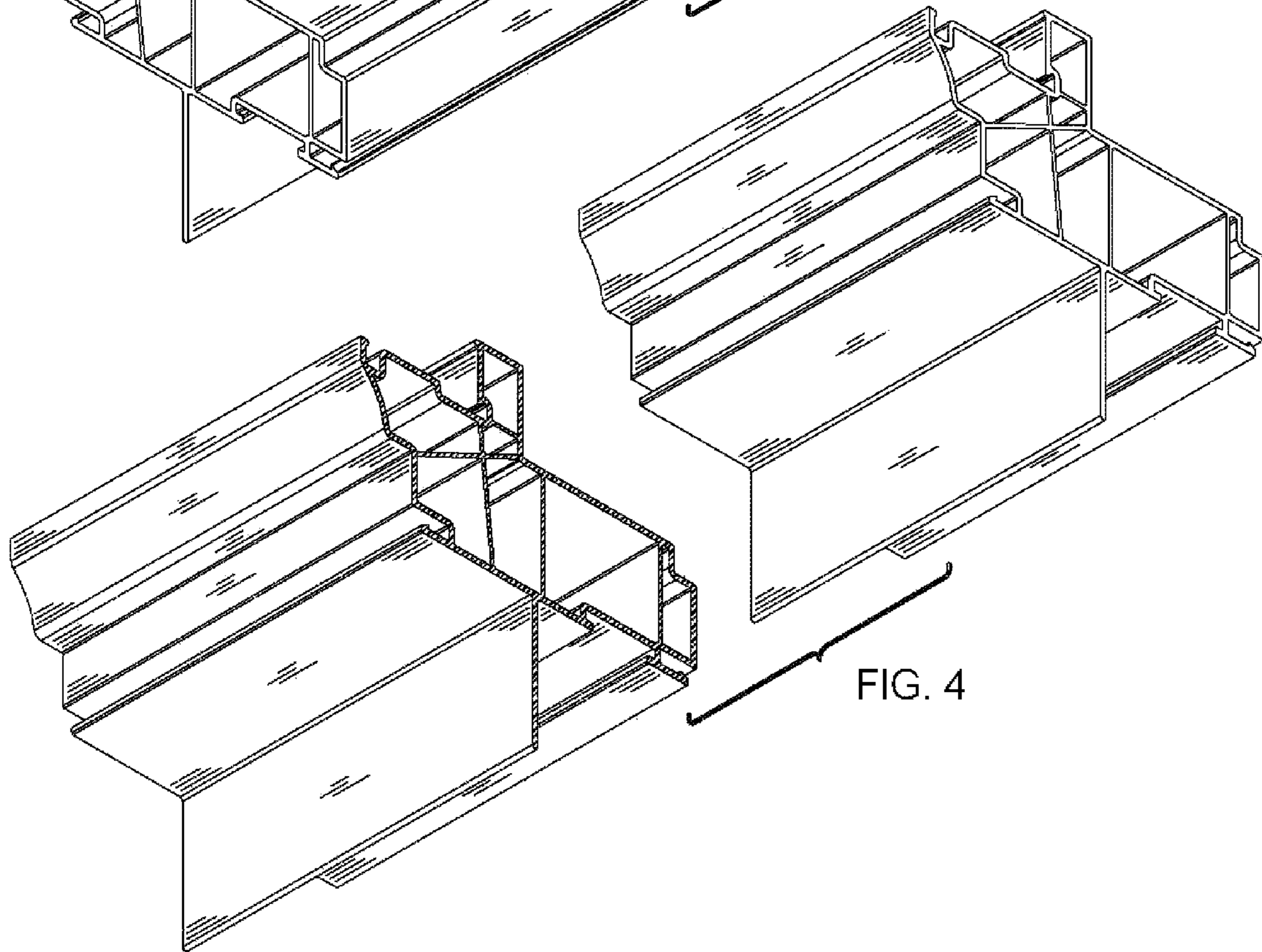


FIG. 4

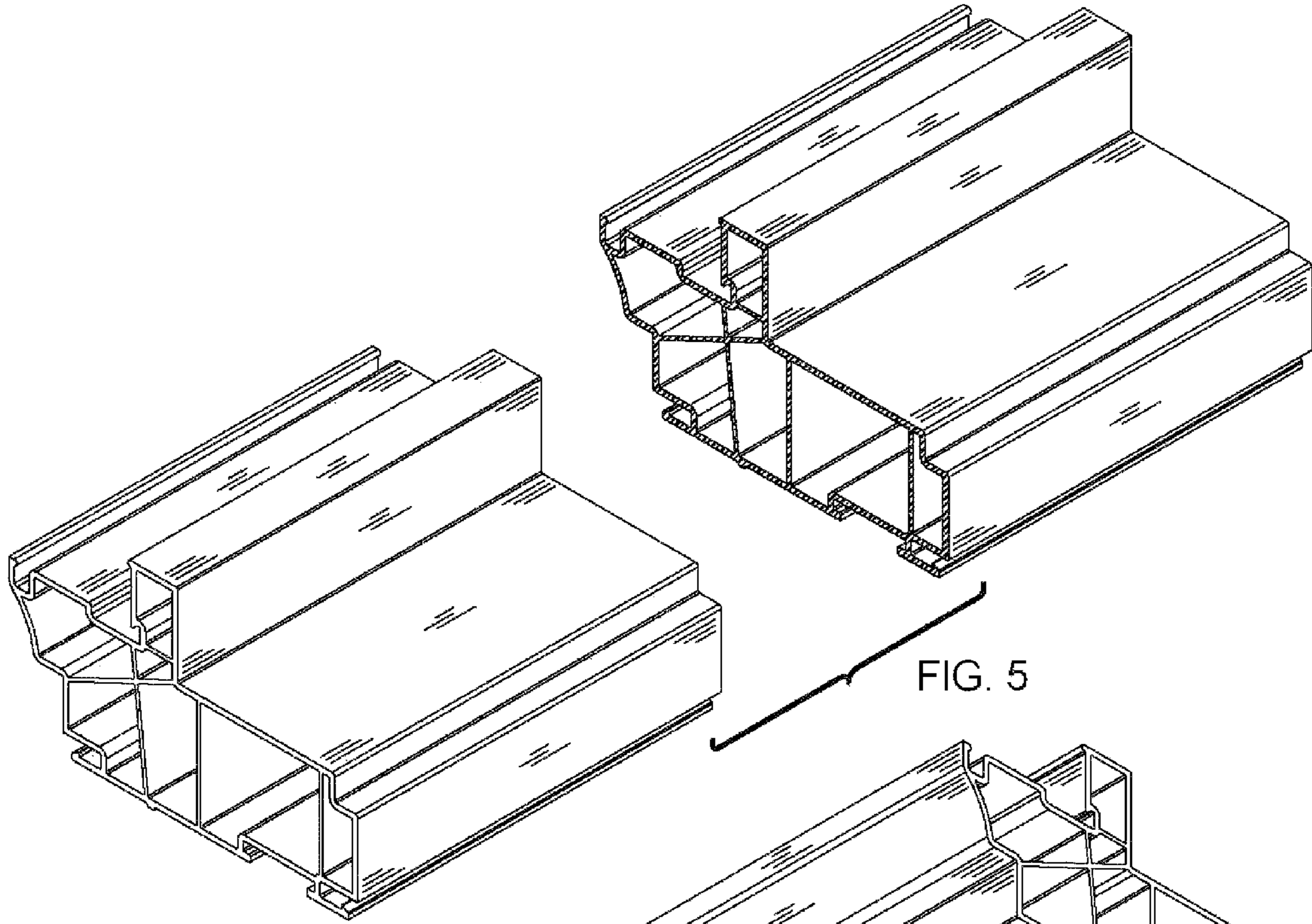


FIG. 5

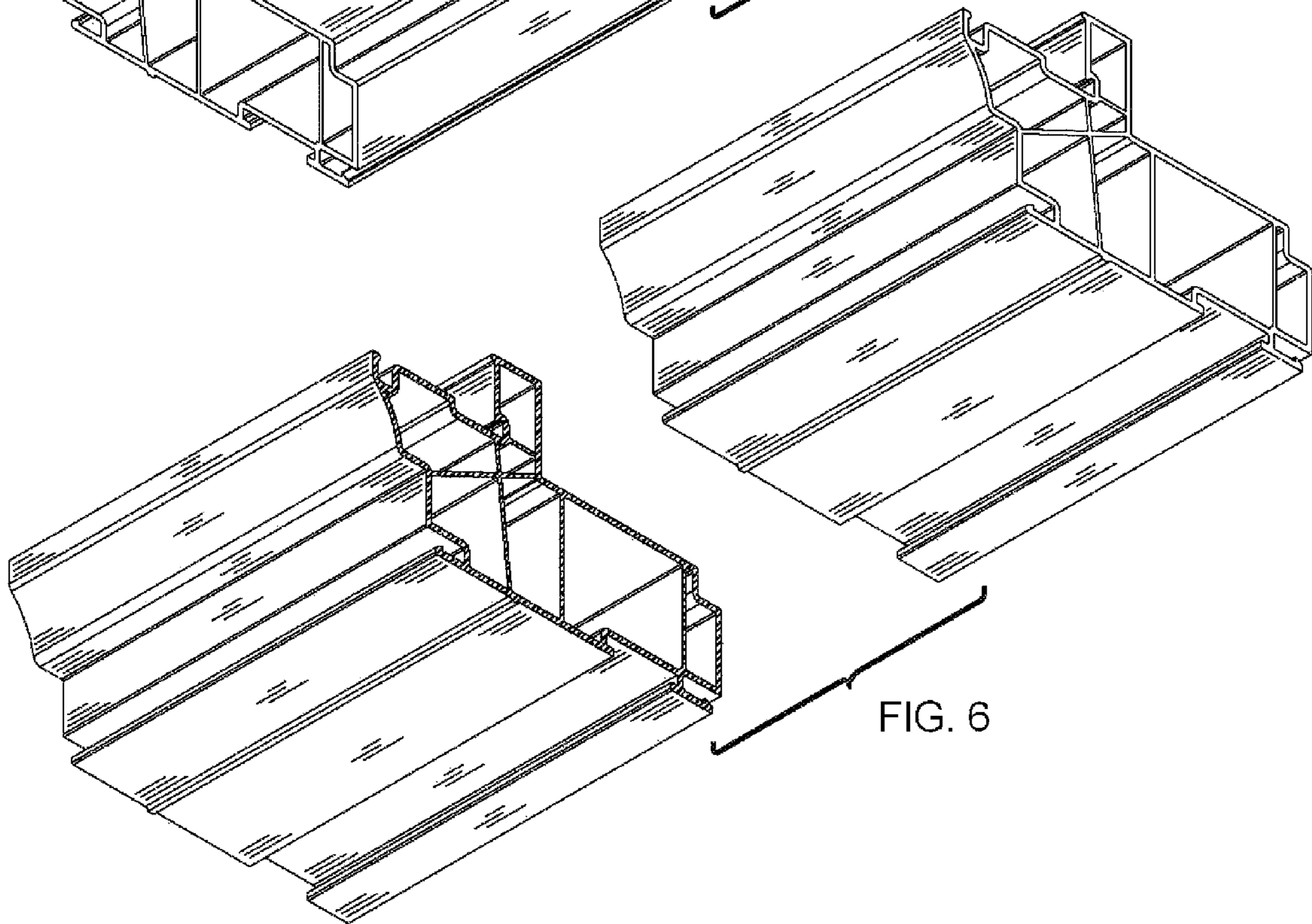


FIG. 6