



US00D693029S

(12) **United States Design Patent**
Wickland

(10) **Patent No.:** **US D693,029 S**

(45) **Date of Patent:** **** Nov. 5, 2013**

(54) **WINDOW COMPONENT EXTRUSION**

(75) Inventor: **Timothy T. Wickland**, Auburn, WA
(US)

(73) Assignee: **Mikron Industries, Inc.**, Kent, WA (US)

(**) Term: **14 Years**

(21) Appl. No.: **29/421,689**

(22) Filed: **Aug. 30, 2012**

(51) **LOC (9) Cl.** **25-01**

(52) **U.S. Cl.**
USPC **D25/124**

(58) **Field of Classification Search**

USPC D25/124; 52/204.1, 204.2, 204.5,
52/204.51, 656.5, 656.6, 213, 215, 208,
52/206, 212, 717.01, 209, 204.72, 579,
52/793.1, 794.1, 216, 204.55, 656.2,
52/656.7; 49/DIG. 2, 504, 501, 449, 180,
49/183, 505

See application file for complete search history.

(56) **References Cited**

U.S. PATENT DOCUMENTS

D442,292 S * 5/2001 Habeck et al. D25/124
D454,212 S * 3/2002 Ballard et al. D25/124
6,857,232 B2 * 2/2005 Bealko 52/211
7,845,135 B2 * 12/2010 Sibbett 52/656.9

D640,802 S * 6/2011 Fannan D25/124
2006/0026913 A1 * 2/2006 Turner 52/204.5
2009/0000225 A1 * 1/2009 Ito et al. 52/204.5

* cited by examiner

Primary Examiner — Doris Clark

(74) *Attorney, Agent, or Firm* — Zollinger & Burleson Ltd.

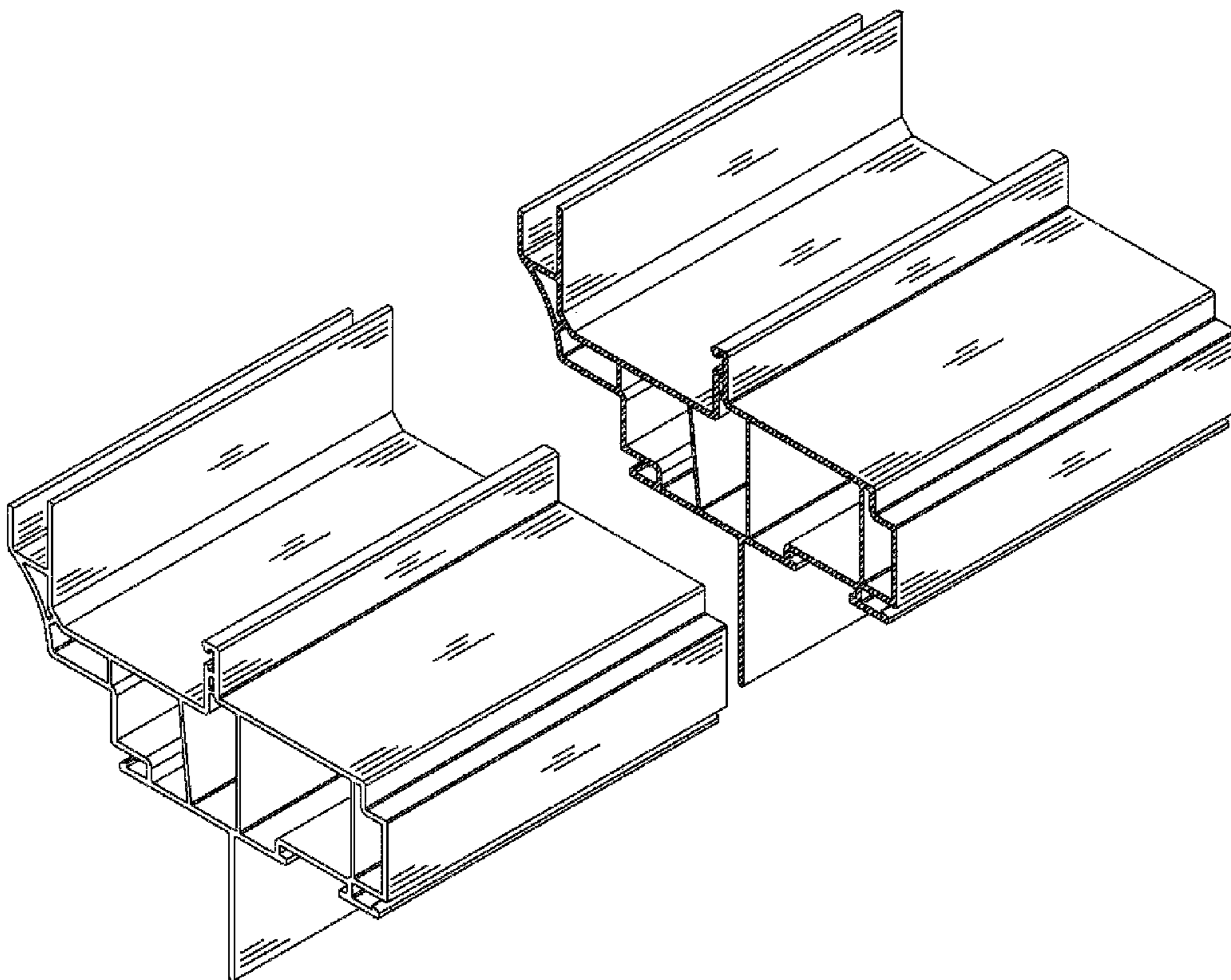
(57) **CLAIM**

The ornamental design for a window component extrusion, as shown and described.

DESCRIPTION

FIG. 1 is a top right perspective view of a first embodiment of the window component extrusion which is broken in the center indicating indefinite length, FIG. 2 is a bottom left perspective view of the window component extrusion shown in FIG. 1, FIG. 3 is a top right perspective view of a second embodiment of the window component extrusion which is broken in the center indicating indefinite length, FIG. 4 is a bottom left perspective view of the window component extrusion shown in FIG. 3, FIG. 5 is a top right perspective view of a third embodiment of the window component extrusion which is broken in the center indicating indefinite length; and, FIG. 6 is a bottom left perspective view of the window component extrusion shown in FIG. 5.

1 Claim, 3 Drawing Sheets



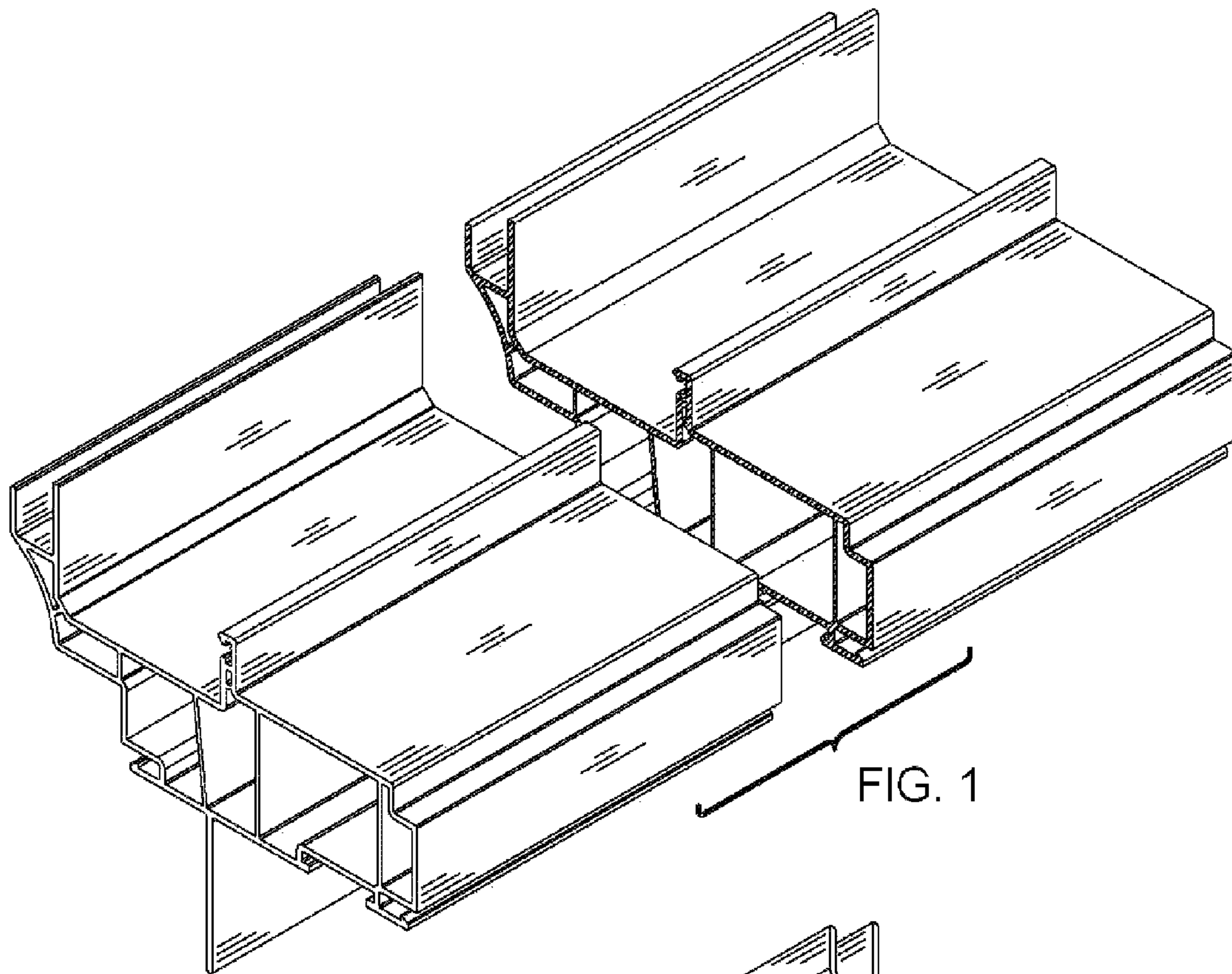


FIG. 1

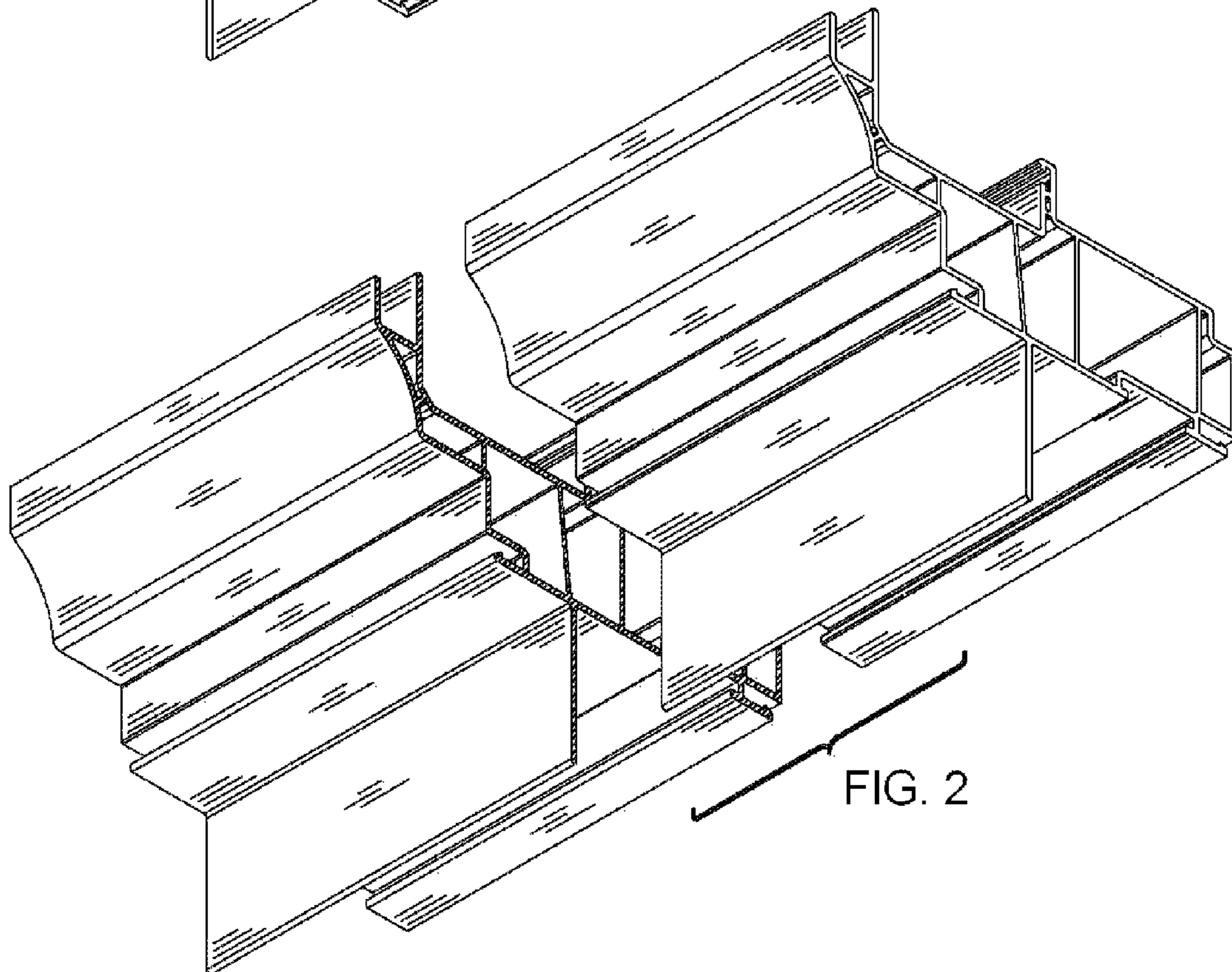


FIG. 2

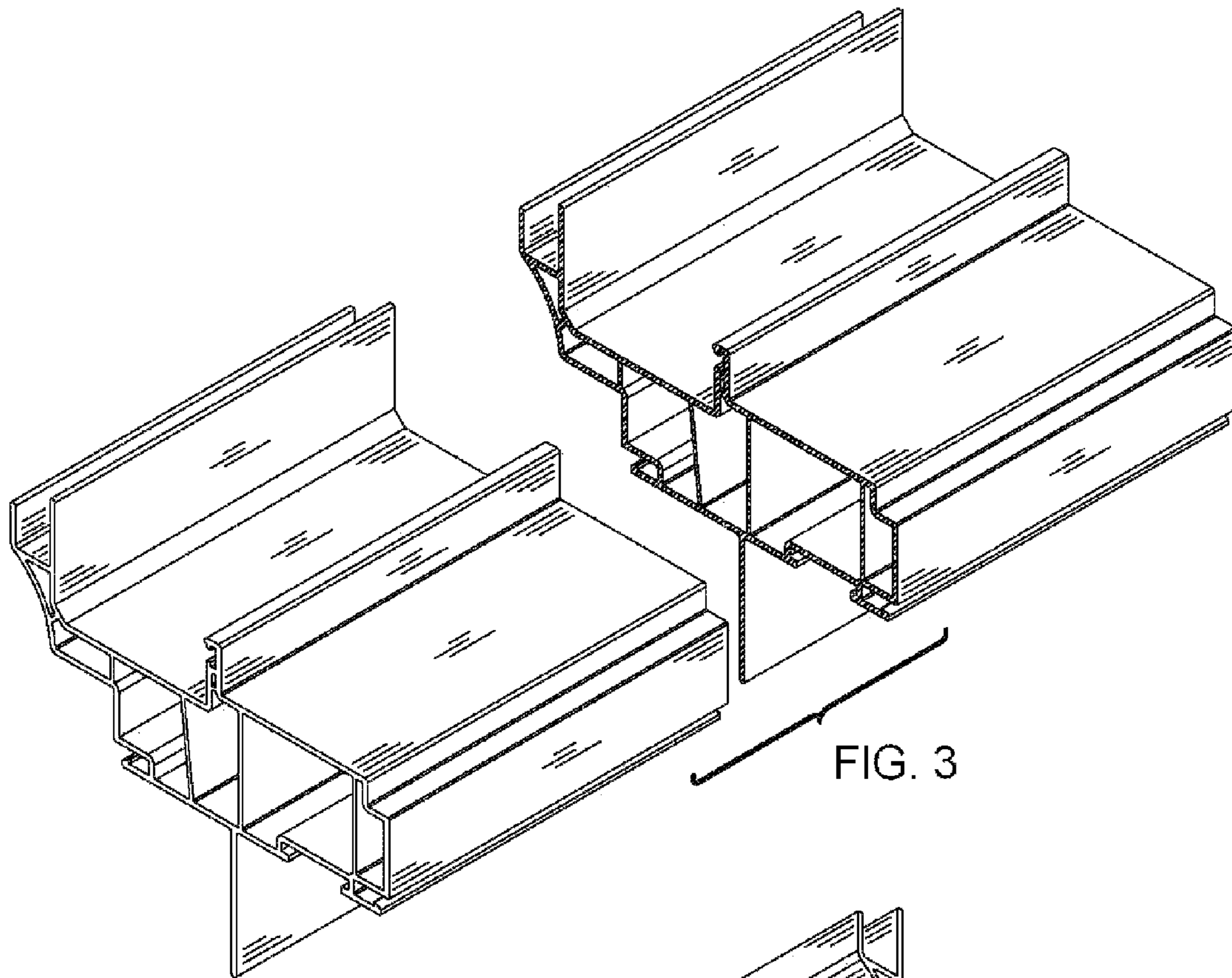


FIG. 3

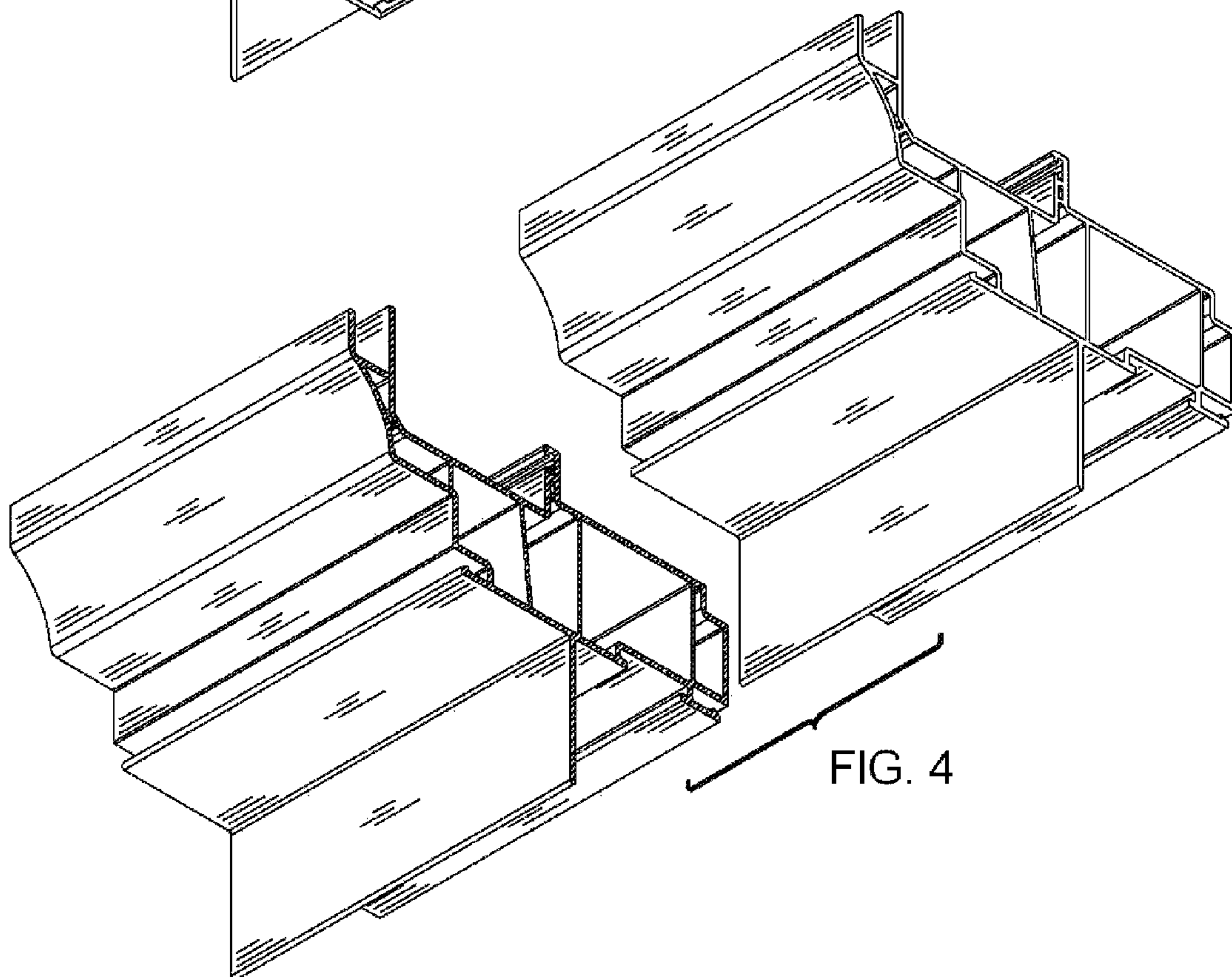


FIG. 4

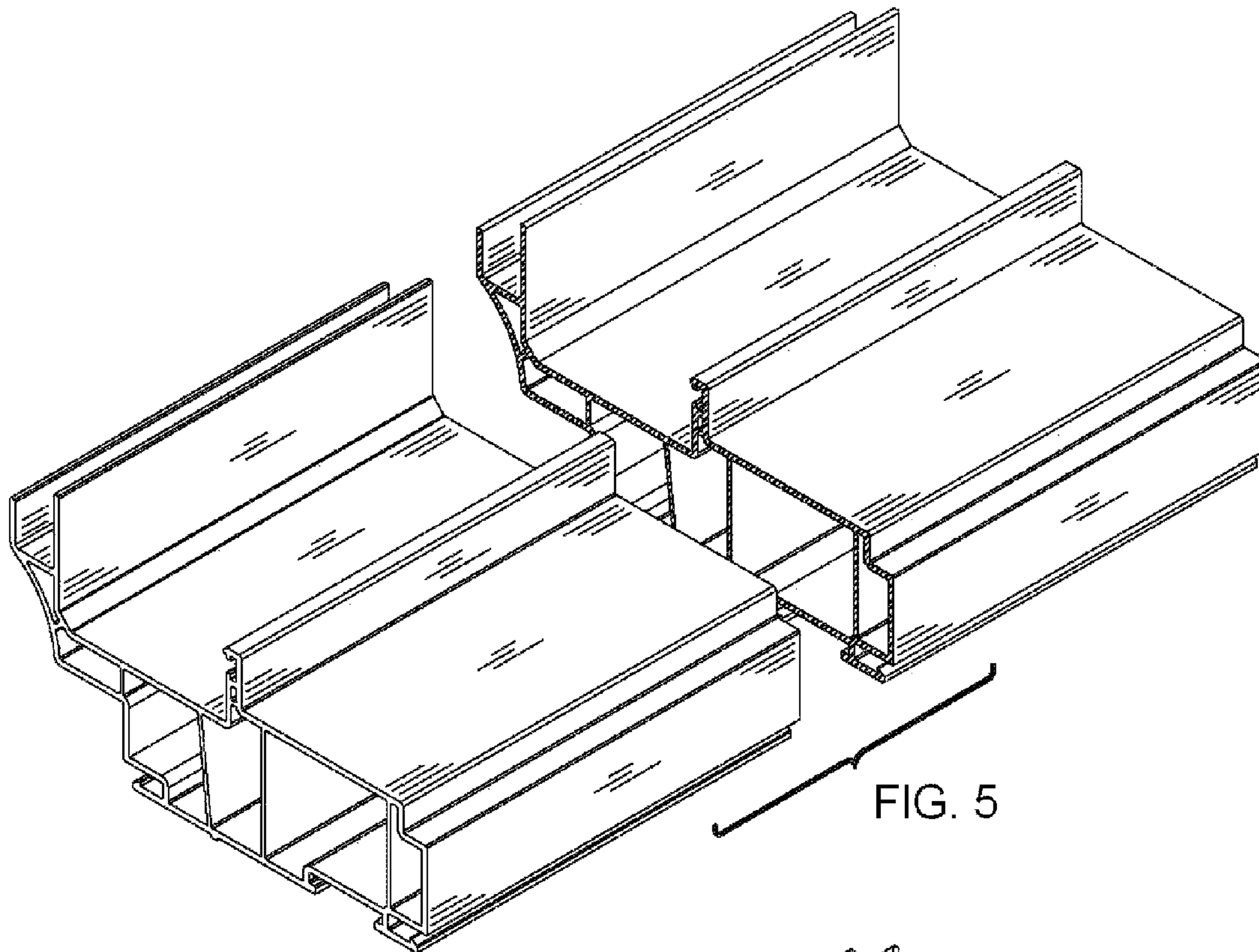


FIG. 5

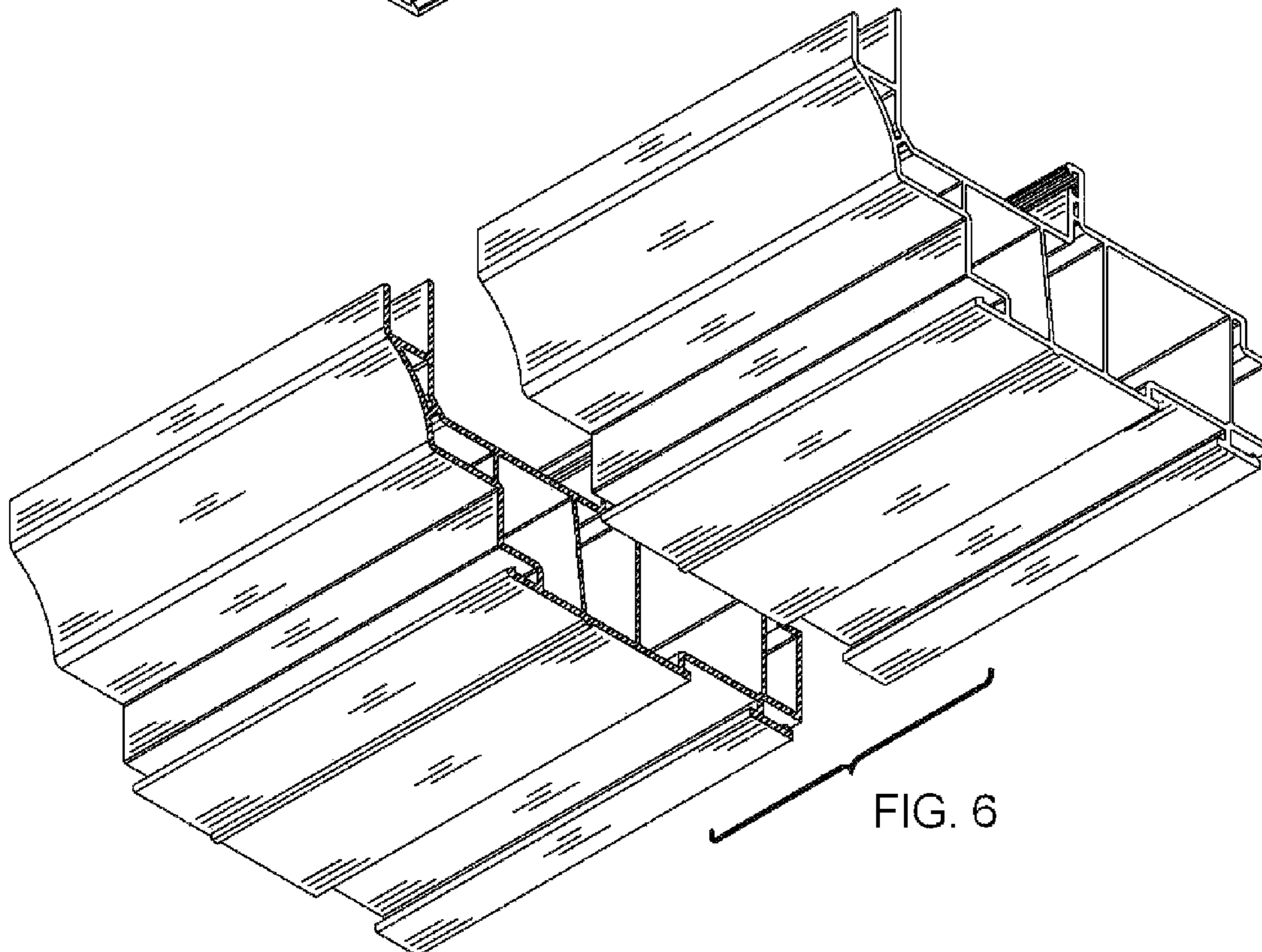


FIG. 6