



US00D693019S

(12) **United States Design Patent**
Isozaki

(10) **Patent No.:** **US D693,019 S**
(45) **Date of Patent:** **** Nov. 5, 2013**

(54) **LABORATORY APPARATUS**

(75) Inventor: **Makoto Isozaki**, Tokyo (JP)

(73) Assignees: **GE Healthcare Bio-Sciences AB**,
Uppsala (SE); **Fujifilm Corporation**,
Tokyo (JP)

(**) Term: **14 Years**

(21) Appl. No.: **29/429,507**

(22) Filed: **Aug. 13, 2012**

(30) **Foreign Application Priority Data**

Feb. 29, 2012 (EM) 001315949-0001

(51) **LOC (9) Cl.** **24-01**

(52) **U.S. Cl.**
USPC **D24/216**

(58) **Field of Classification Search**

USPC D24/216, 217, 219, 223, 231, 232, 233,
D24/107, 169, 186, 158; D10/81;
422/62-65, 67, 500, 547; 436/43, 45,
436/47; 435/287.1, 287.3, 288.7, 808;
D16/130, 131; 356/302-305

See application file for complete search history.

(56) **References Cited**

U.S. PATENT DOCUMENTS

D298,854	S	*	12/1988	Kame et al.	D24/169
D369,564	S	*	5/1996	Whitby et al.	D24/232
D410,080	S	*	5/1999	Heidsiek et al.	D24/107
D424,956	S	*	5/2000	von Buelow et al.	D10/81
D474,279	S	*	5/2003	Mayer et al.	D24/232
D515,707	S	*	2/2006	Shinohara et al.	D24/216
D612,948	S	*	3/2010	Fleury et al.	D24/216
D648,035	S	*	11/2011	Philipak et al.	D24/216
2009/0191619	A1	*	7/2009	Eisfeld et al.	435/288.7
2011/0125314	A1	*	5/2011	Robinson et al.	435/287.3

* cited by examiner

Primary Examiner — Anhdao Doan

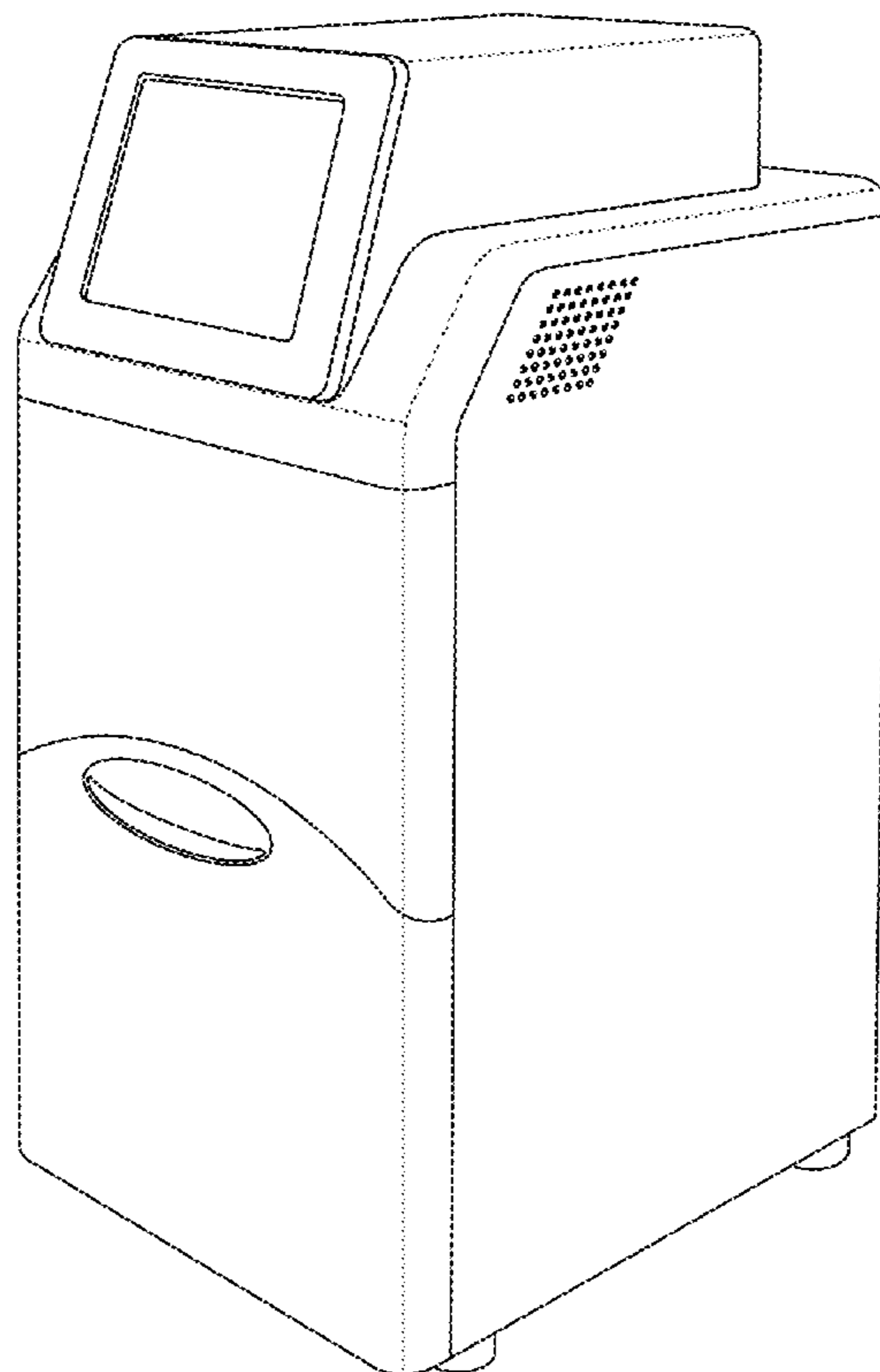
(57) **CLAIM**

The ornamental design for a laboratory apparatus, as shown and described.

DESCRIPTION

FIG. 1 is a perspective view of the laboratory apparatus. FIG. 2 is a front plan view of the laboratory apparatus. FIG. 3 is a back plan view of the laboratory apparatus. FIG. 4 is a left side view of the laboratory apparatus. FIG. 5 is a right side view of the laboratory apparatus. FIG. 6 is a top plan view of the laboratory apparatus; and, FIG. 7 is a bottom plan view of the laboratory apparatus. A laboratory apparatus for investigation of samples, e.g. by optical detection or imaging, analytical measurements or the like.

1 Claim, 7 Drawing Sheets



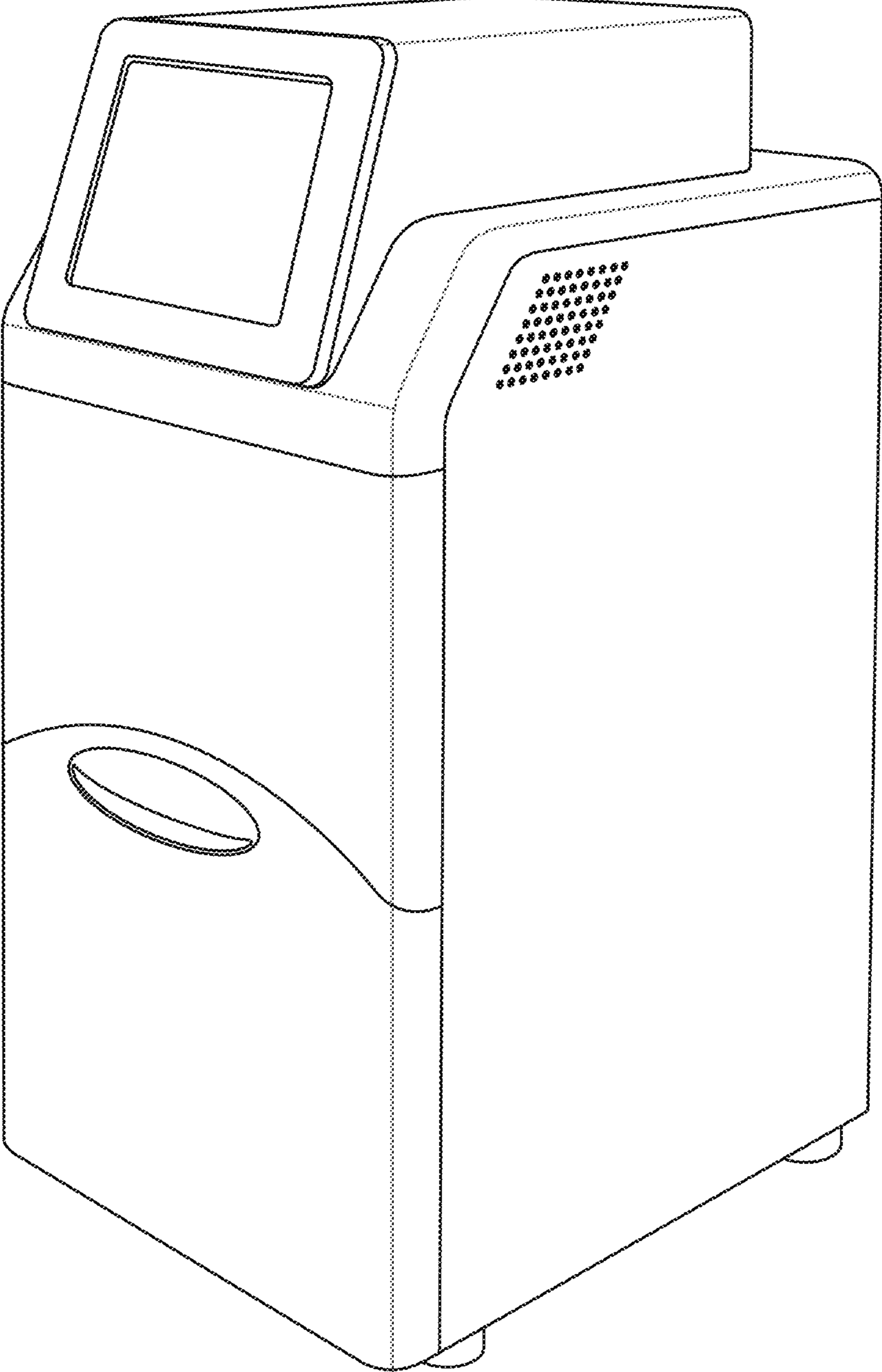


FIG. 1

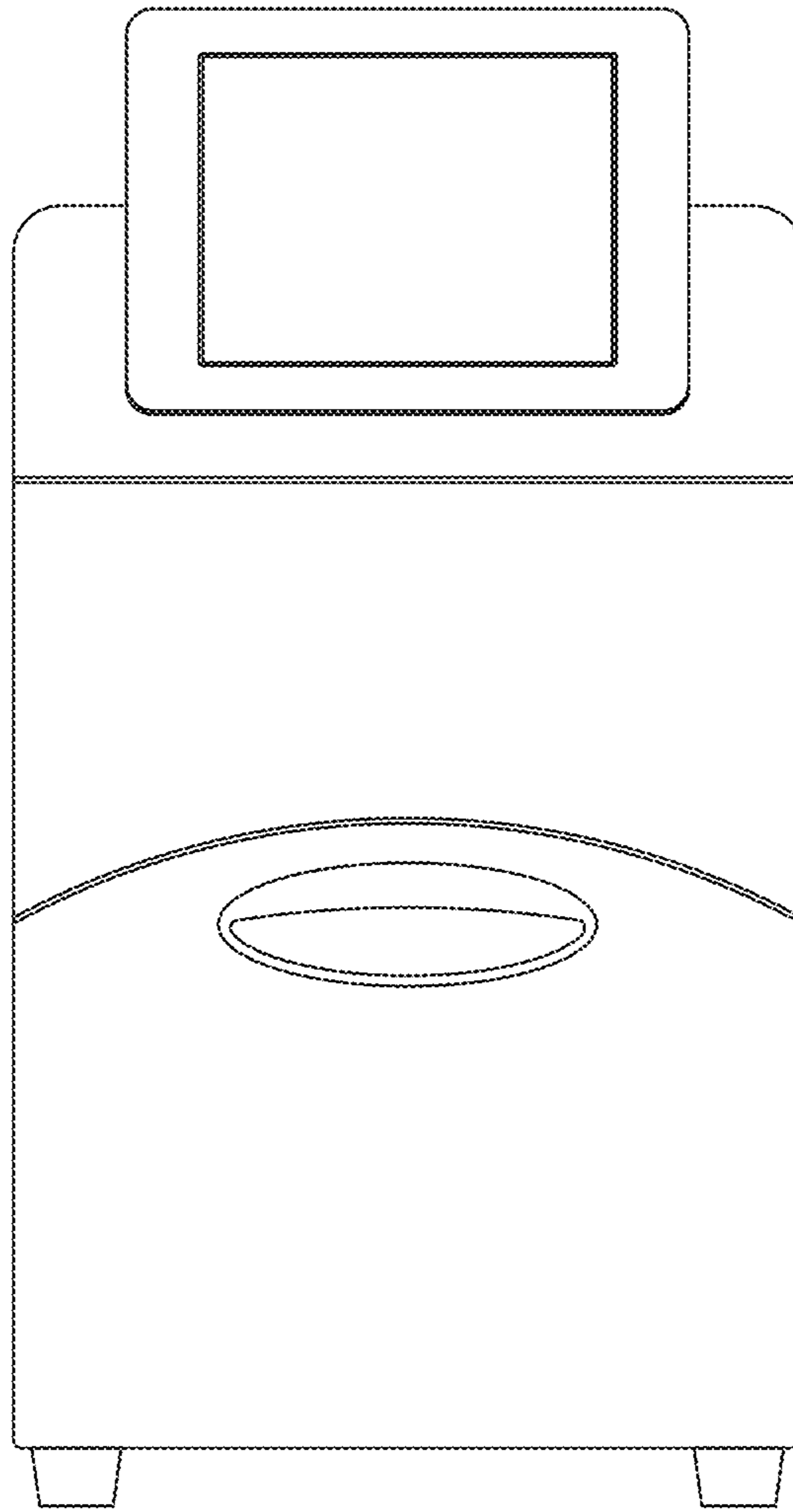


FIG. 2

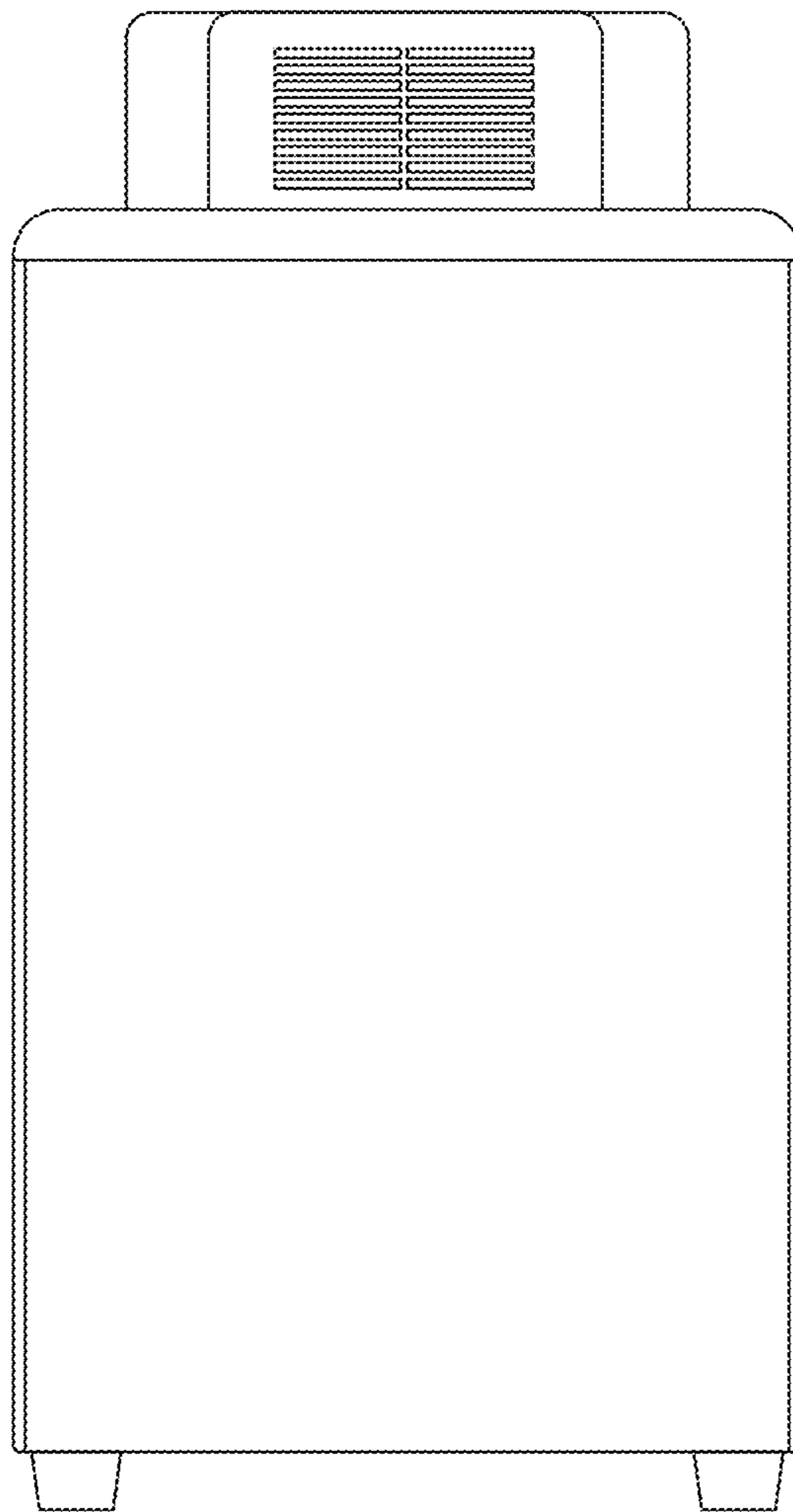


FIG. 3

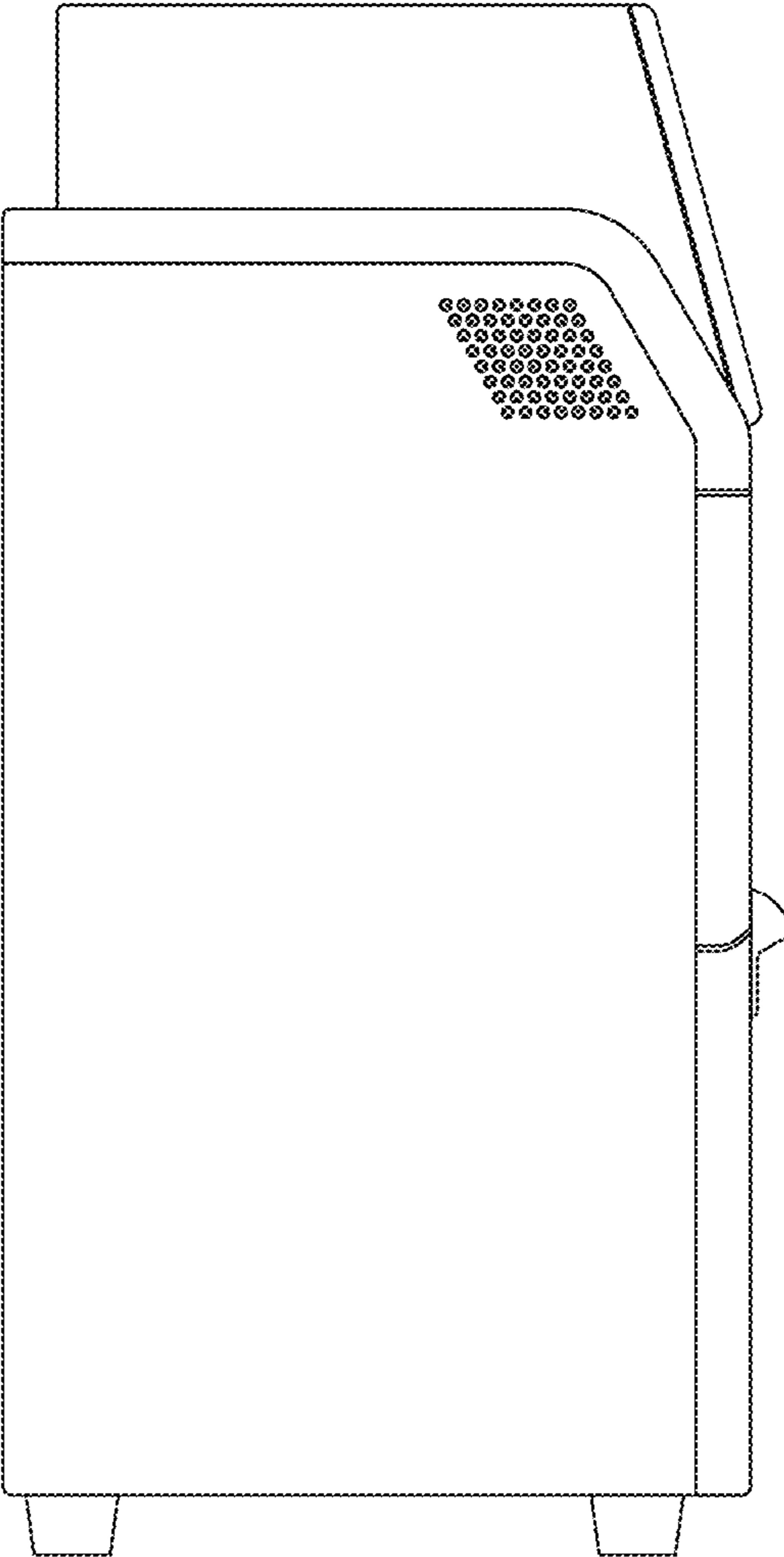


FIG. 4

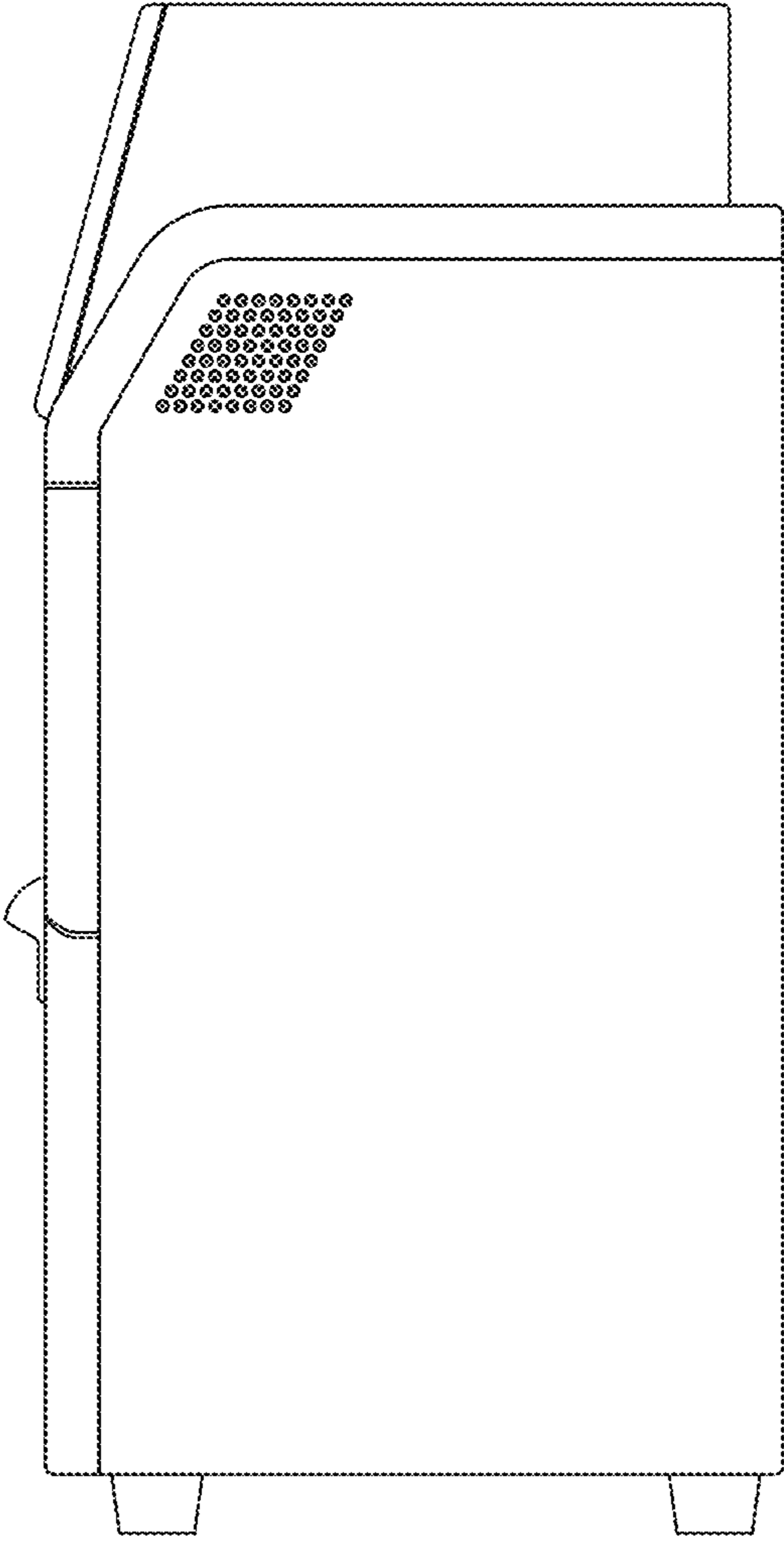


FIG. 5

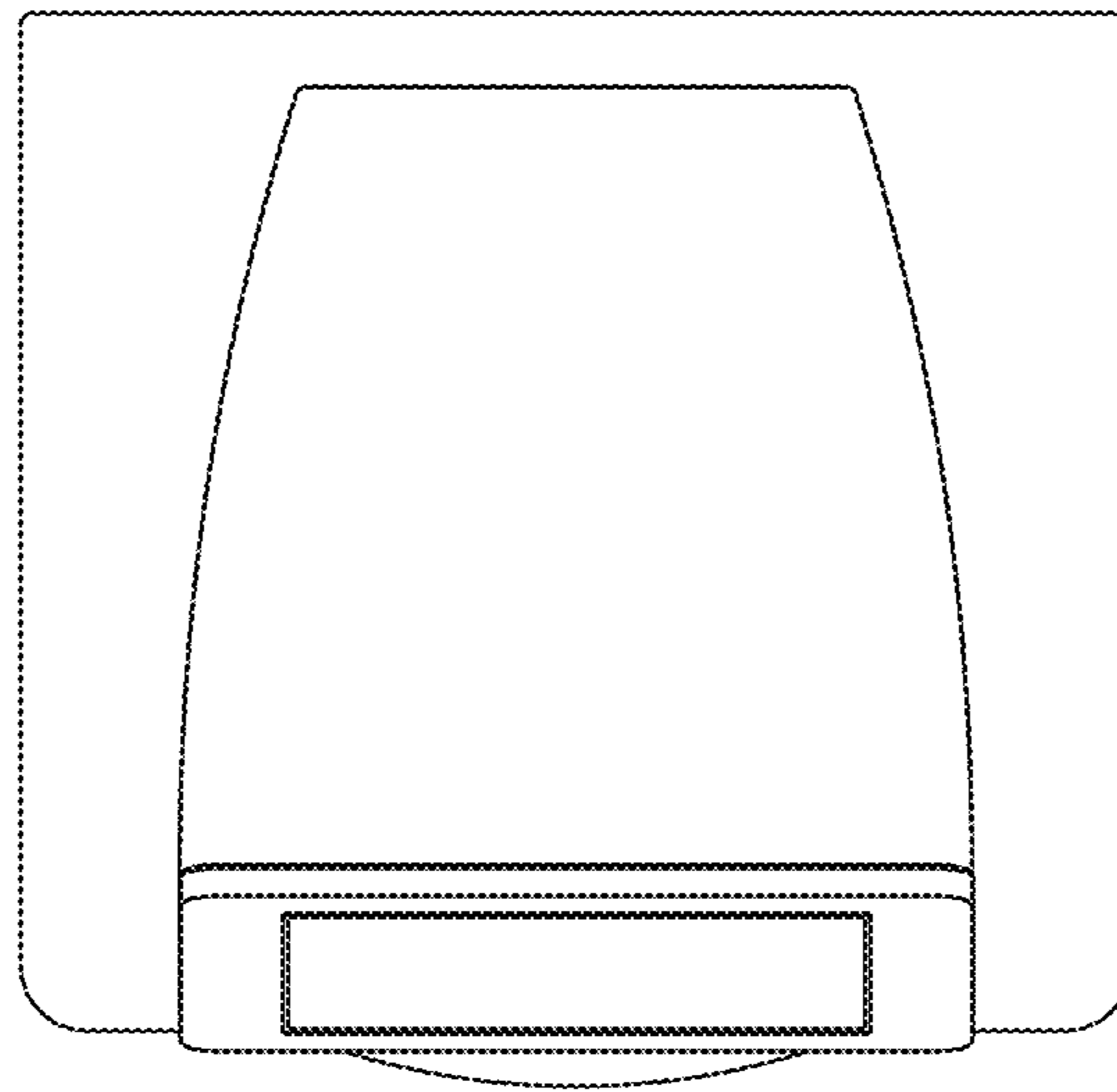


FIG. 6

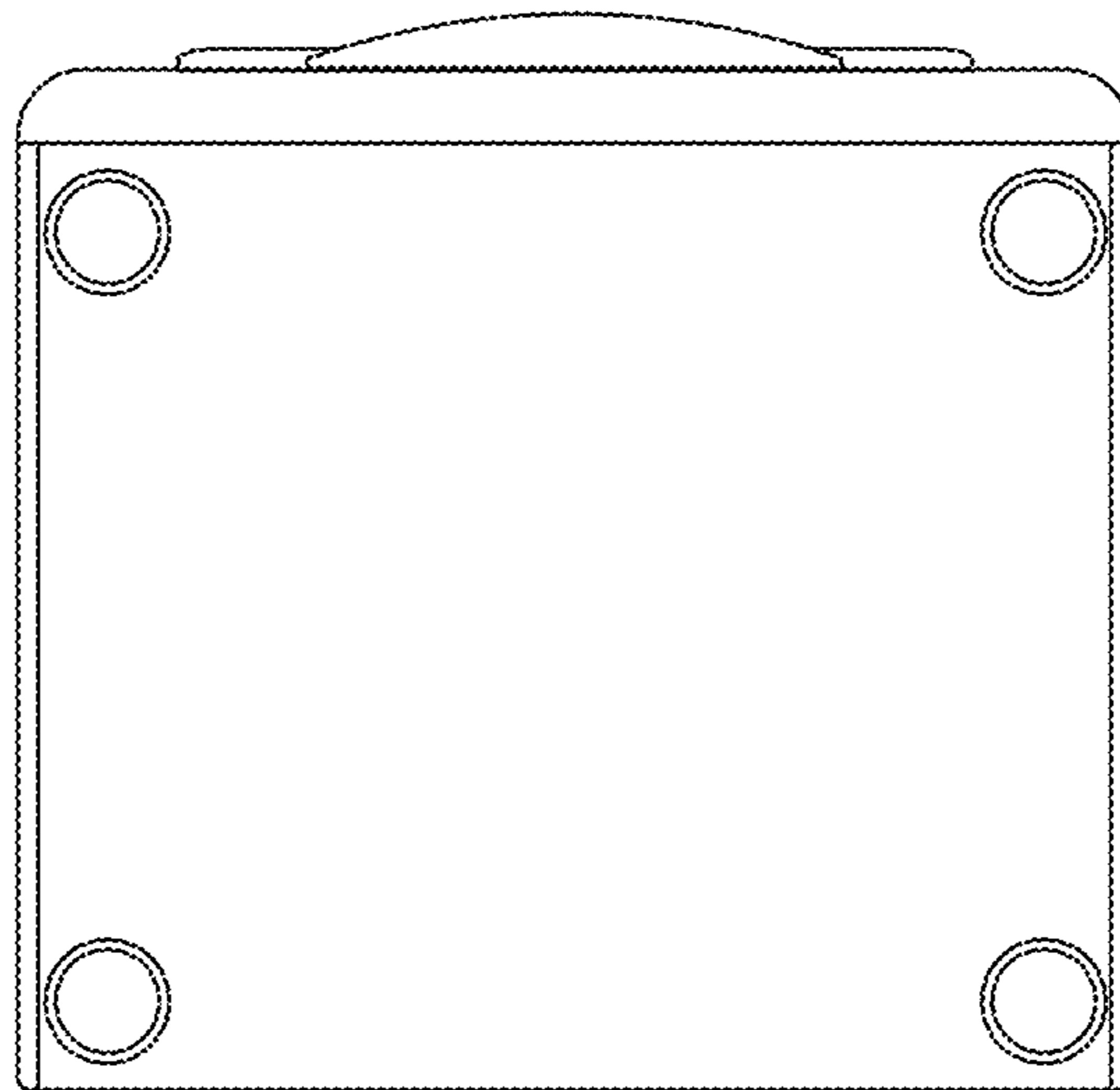


FIG. 7