



US00D693018S

(12) **United States Design Patent**
Zdinak et al.

(10) **Patent No.:** **US D693,018 S**
(45) **Date of Patent:** **** Nov. 5, 2013**

(54) **ULTRA-SMALL, MICRO-VOLUME INSTRUMENT UNIT ASSEMBLY**

(75) Inventors: **Paul S. Zdinak**, Belleville, WI (US);
William A. Bayer, Middleton, WI (US)

(73) Assignee: **Thermo Electron Scientific Instruments LLC**, Madison, WI (US)

(**) Term: **14 Years**

(21) Appl. No.: **29/407,900**

(22) Filed: **Dec. 2, 2011**

Related U.S. Application Data

(63) Continuation-in-part of application No. 29/397,789, filed on Jul. 20, 2011.

(51) **LOC (9) Cl.** **24-01**

(52) **U.S. Cl.**
USPC **D24/216; D24/232; D10/81**

(58) **Field of Classification Search**
USPC D24/216, 217, 219, 223–226, 231, 232, D24/107, 169, 186; D10/81; 422/500, 547, 422/62–65, 67; 435/287.1, 287.3; 436/43, 436/45, 47; 356/300, 301, 302, 303, 308, 356/319, 326, 331, 451

See application file for complete search history.

(56) **References Cited**

U.S. PATENT DOCUMENTS

5,336,467	A *	8/1994	Heidt et al.	422/64
D373,830	S *	9/1996	LaBarbera et al.	D24/232
D376,651	S *	12/1996	Paloian	D24/216
5,638,171	A *	6/1997	Honig et al.	356/326
D404,140	S *	1/1999	Meguro	D24/232
5,855,847	A *	1/1999	Oonuma et al.	422/64
D411,300	S *	6/1999	Kellstedt et al.	D24/186
D412,991	S *	8/1999	DiVito et al.	D24/232
D496,732	S *	9/2004	Nagai et al.	D24/169
D515,220	S *	2/2006	Miller et al.	D24/232

(Continued)

Primary Examiner — Anhdao Doan

(74) *Attorney, Agent, or Firm* — Michael C. Staggs

(57) **CLAIM**

The ornamental design for an ultra-small, micro-volume instrument unit assembly, as shown and described.

DESCRIPTION

FIG. 1 is a top, front, right isometric perspective view of an ultra-small, micro-volume instrument unit assembly having a design in accordance with an embodiment of the present invention;

FIG. 2 is a front elevation view of the ultra-small, micro-volume instrument unit assembly of FIG. 1;

FIG. 3 is a left elevation view of the ultra-small, micro-volume unit instrument assembly of FIG. 1;

FIG. 4 is a right elevation view of the ultra-small, micro-volume instrument unit assembly of FIG. 1;

FIG. 5 is a rear elevation view of the ultra-small, micro-volume instrument unit assembly of FIG. 1;

FIG. 6 is a top plan view of the ultra-small, micro-volume instrument unit assembly of FIG. 1;

FIG. 7 is a bottom plan view of the ultra-small, micro-volume instrument unit assembly of FIG. 1;

FIG. 8 is an exploded top, front and right perspective view of the ultra-small, micro-volume instrument of FIG. 1;

FIG. 9 is a bottom plan view of the ultra-small, micro-volume instrument portion of FIG. 8;

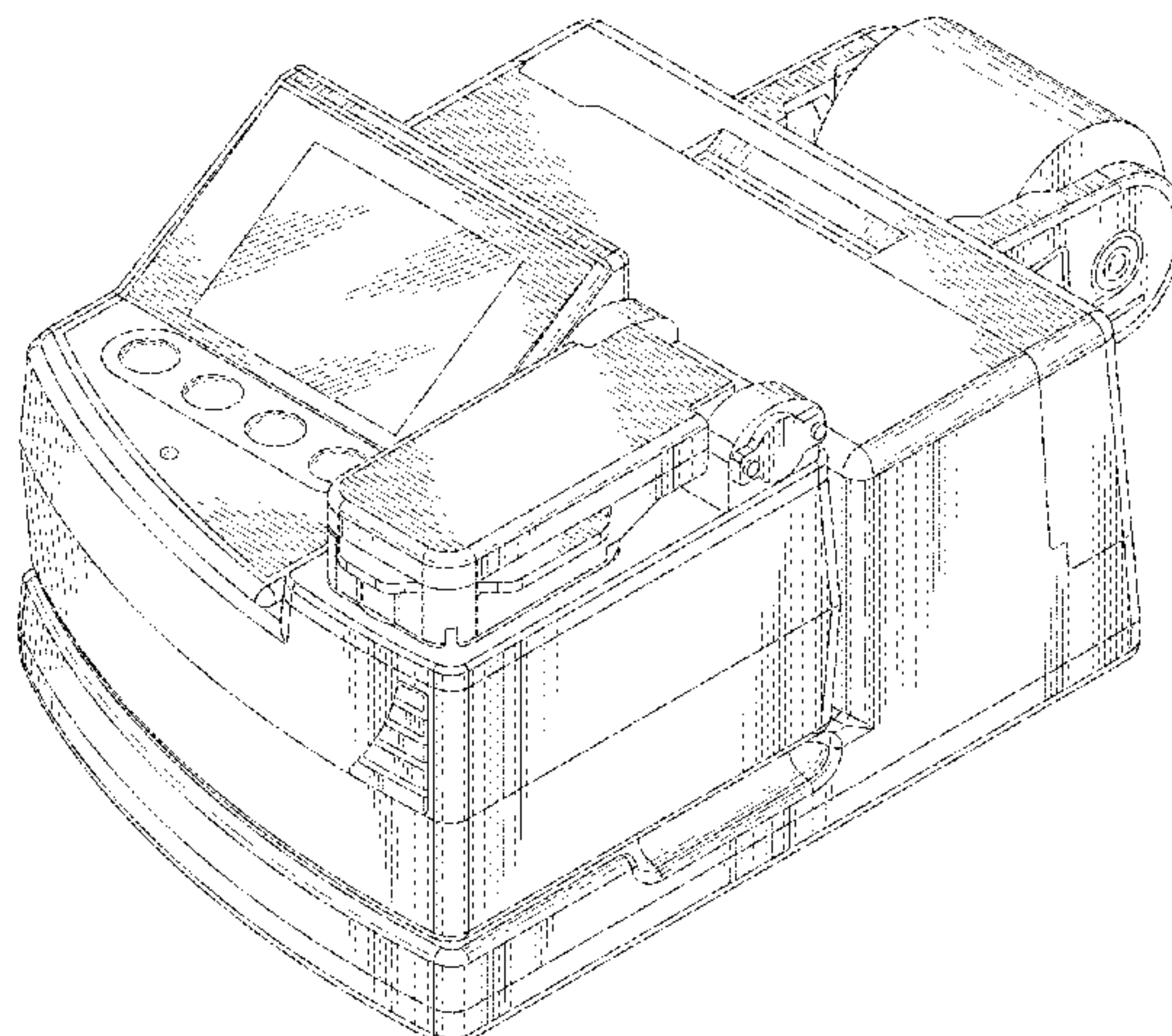
FIG. 10 is a top plan view of the ultra-small, micro-volume instrument portion of FIG. 8 in a working environment;

FIG. 11 is a rear elevation view of the ultra-small, micro-volume instrument portion of FIG. 8; and,

FIG. 12 is a top, front, right isometric perspective view of the ultra-small, micro-volume instrument portion of FIG. 8 in a working environment.

The broken lines in the drawing views are included for the purpose of illustrating portions of the ultra-small, micro-volume instrument unit assembly that form no part of the claimed design.

1 Claim, 8 Drawing Sheets



US D693,018 S

Page 2

(56)

References Cited

U.S. PATENT DOCUMENTS

D521,643 S *	5/2006	Moody et al.	D24/169	
D554,551 S *	11/2007	Ouchi et al.	D10/81	* cited by examiner
D630,535 S *	1/2011	Hoshino	D10/81	
D640,581 S *	6/2011	Sato et al.	D10/81	
D663,856 S *	7/2012	Lieblein et al.	D24/216	

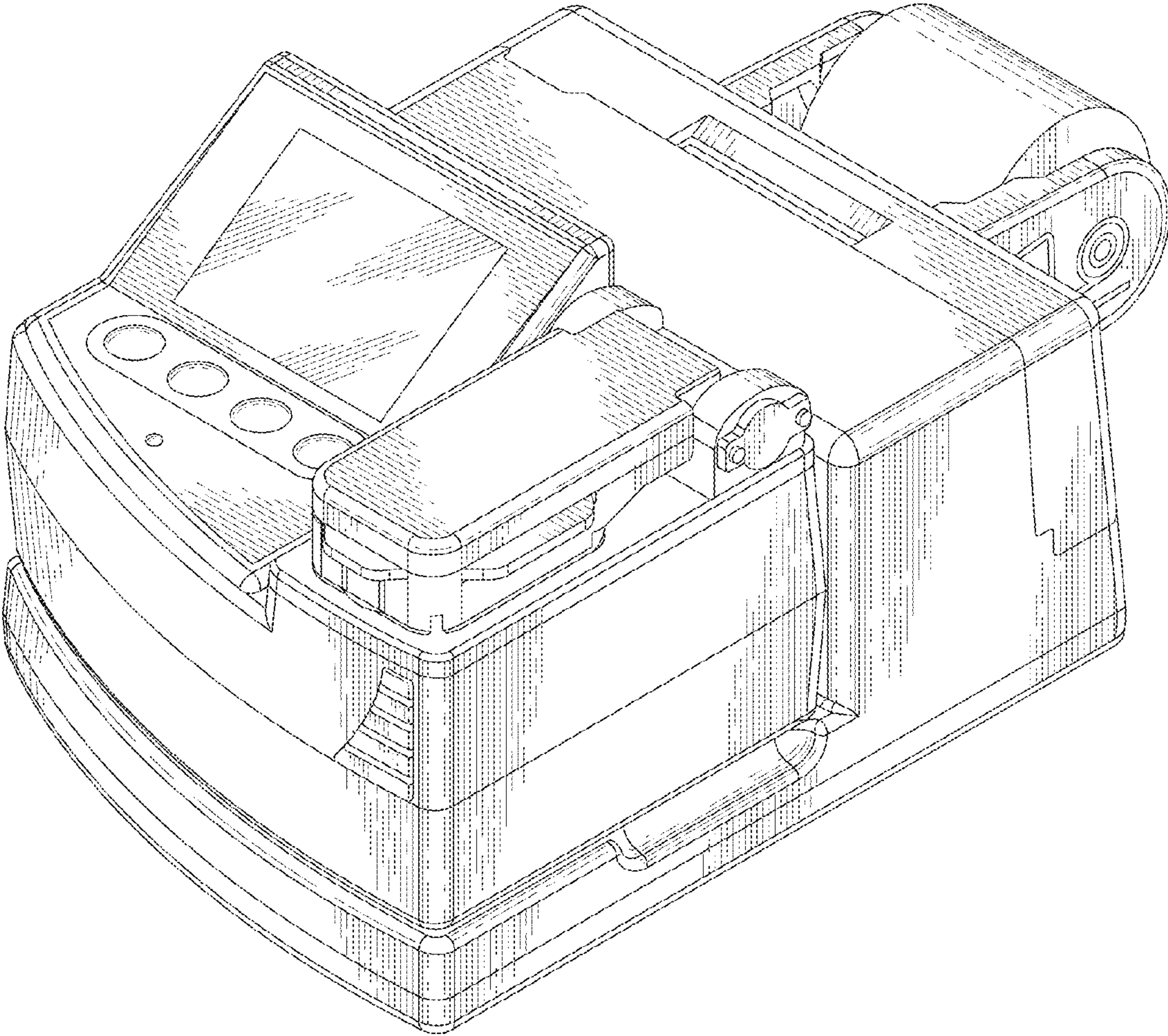


FIG. 1

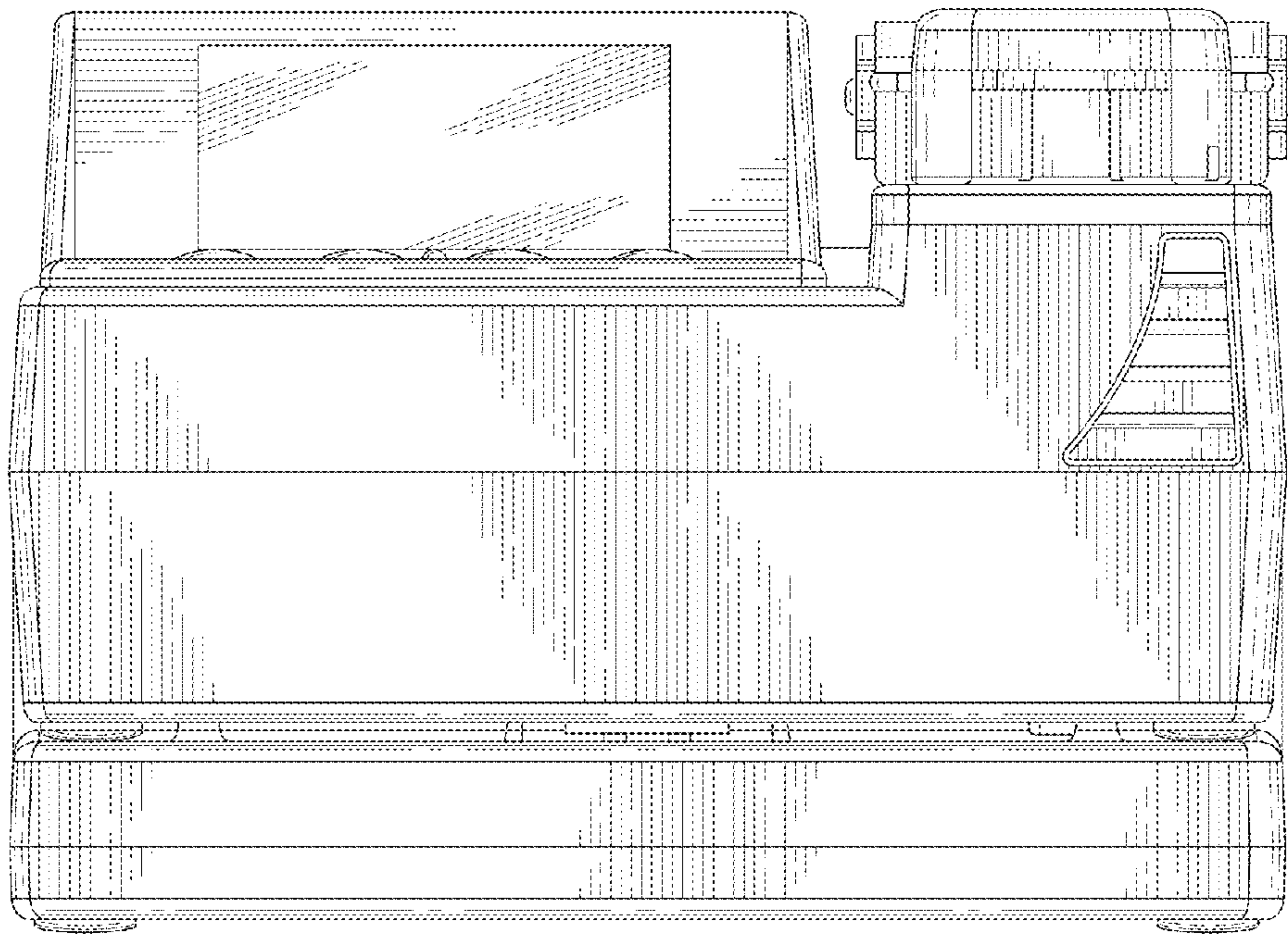


FIG. 2

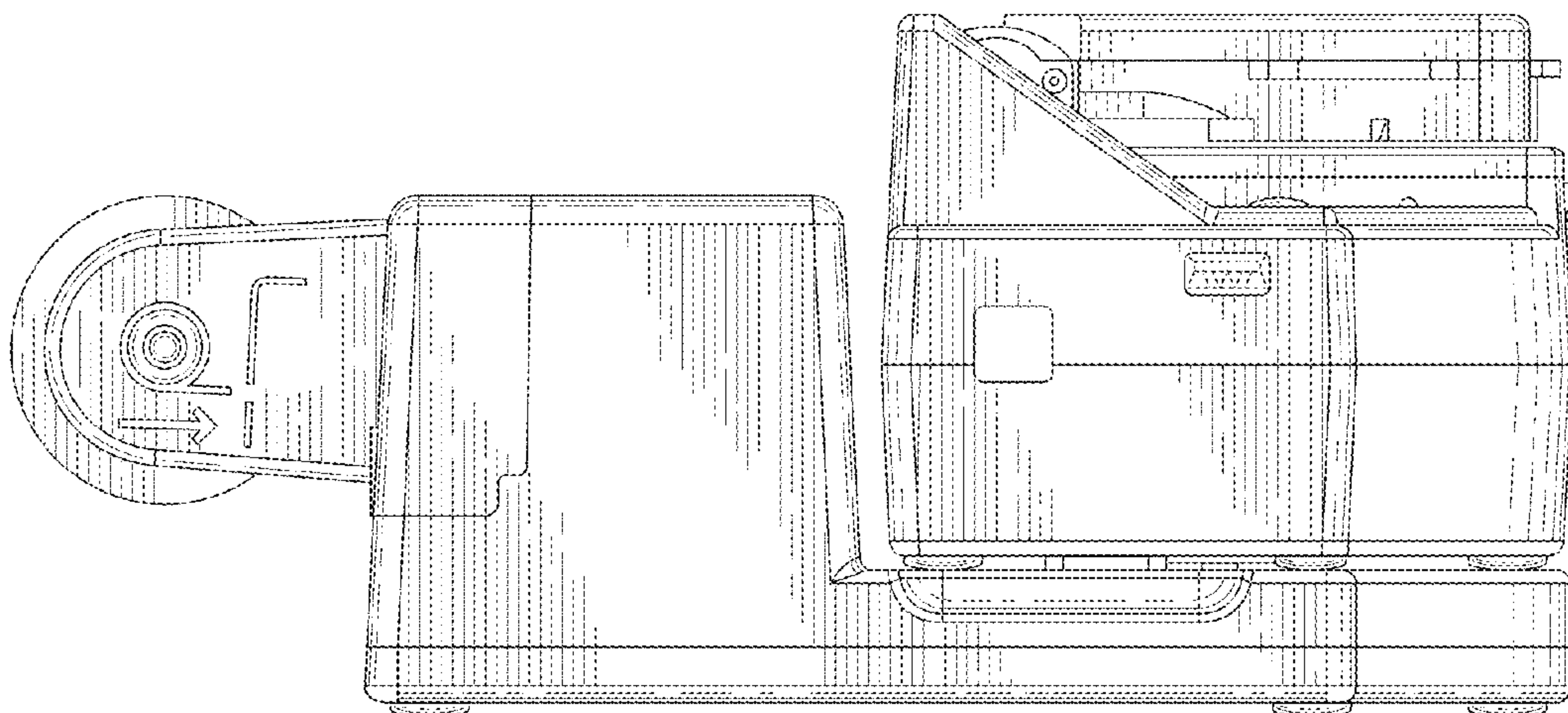


FIG. 3

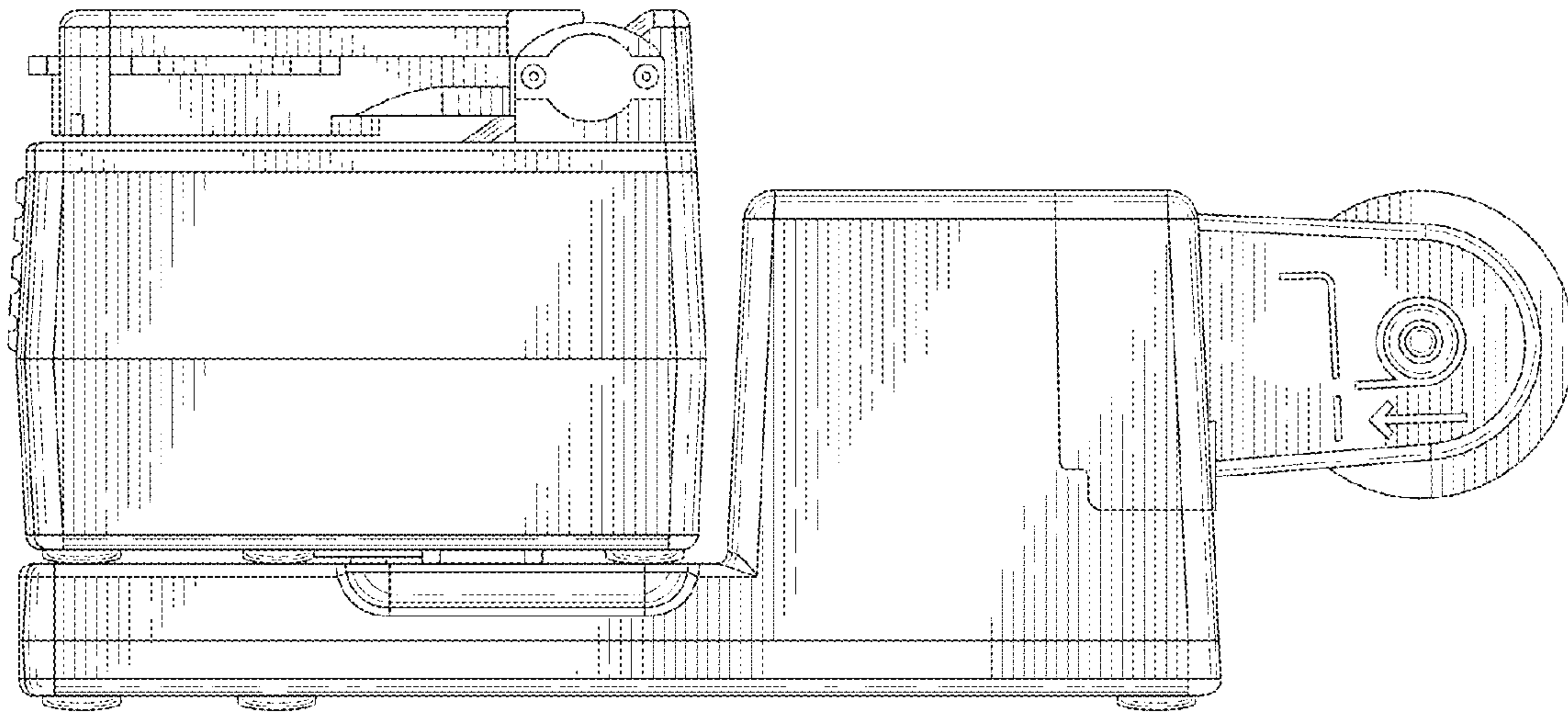


FIG. 4

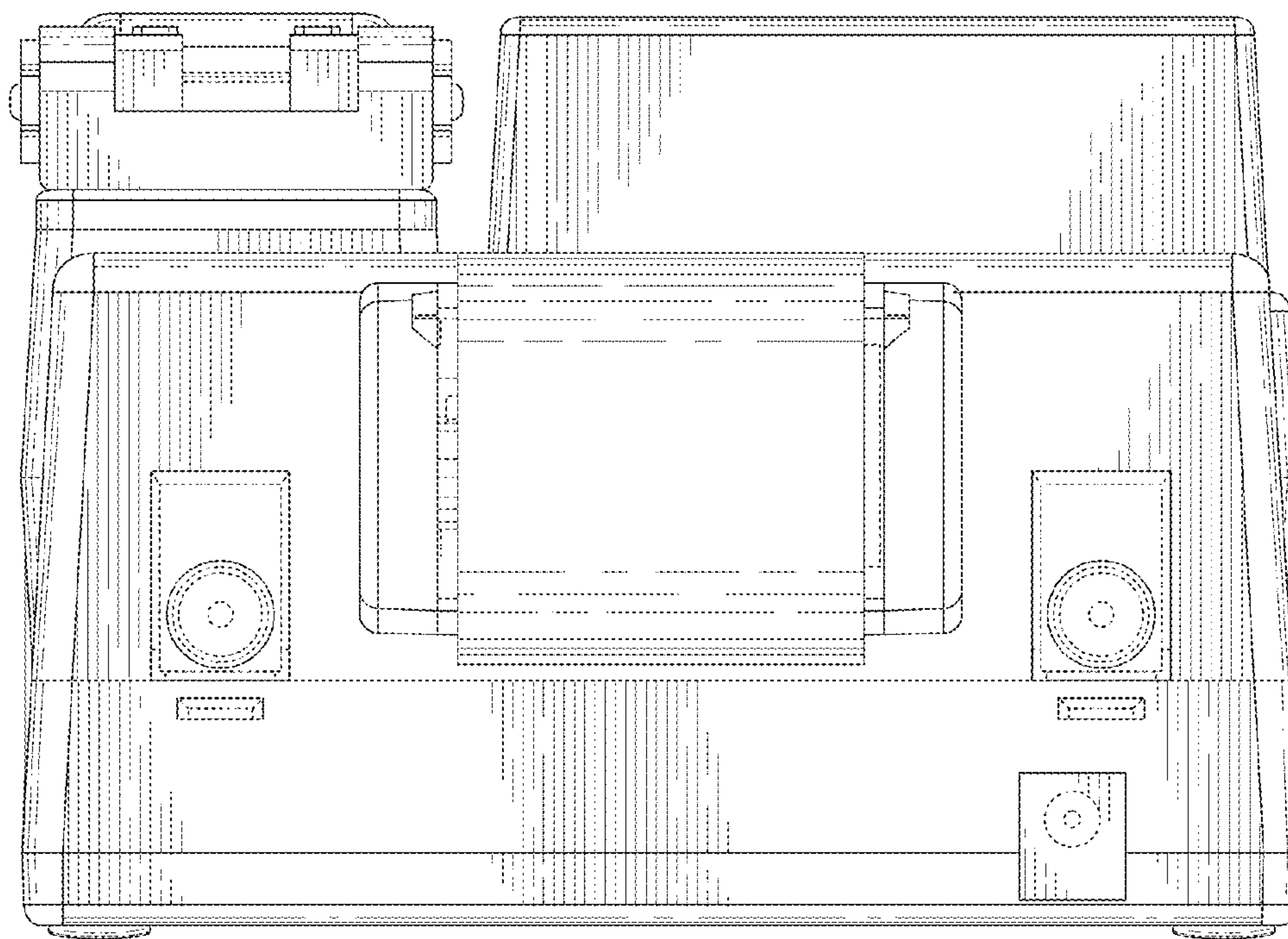


FIG. 5

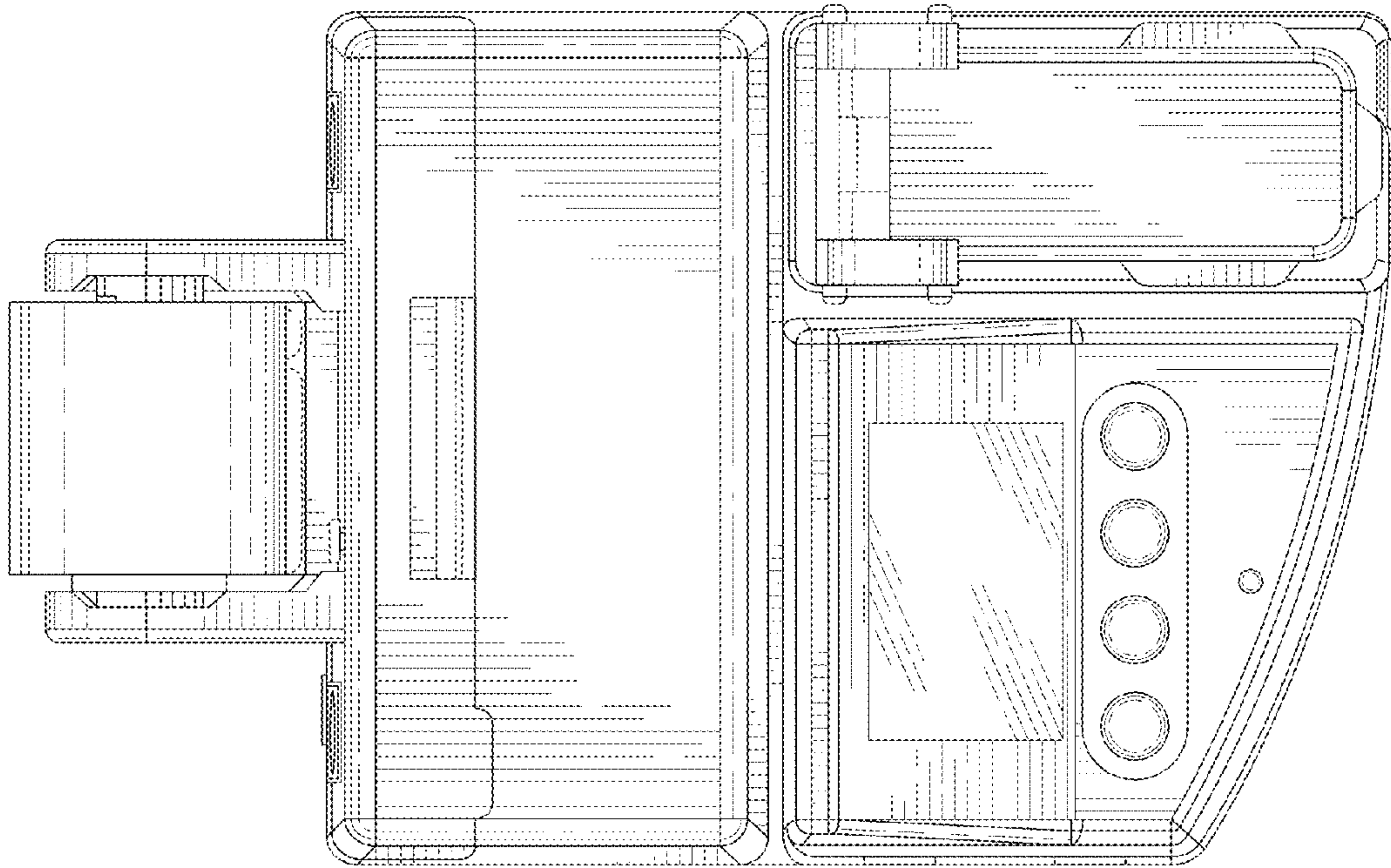


FIG. 6

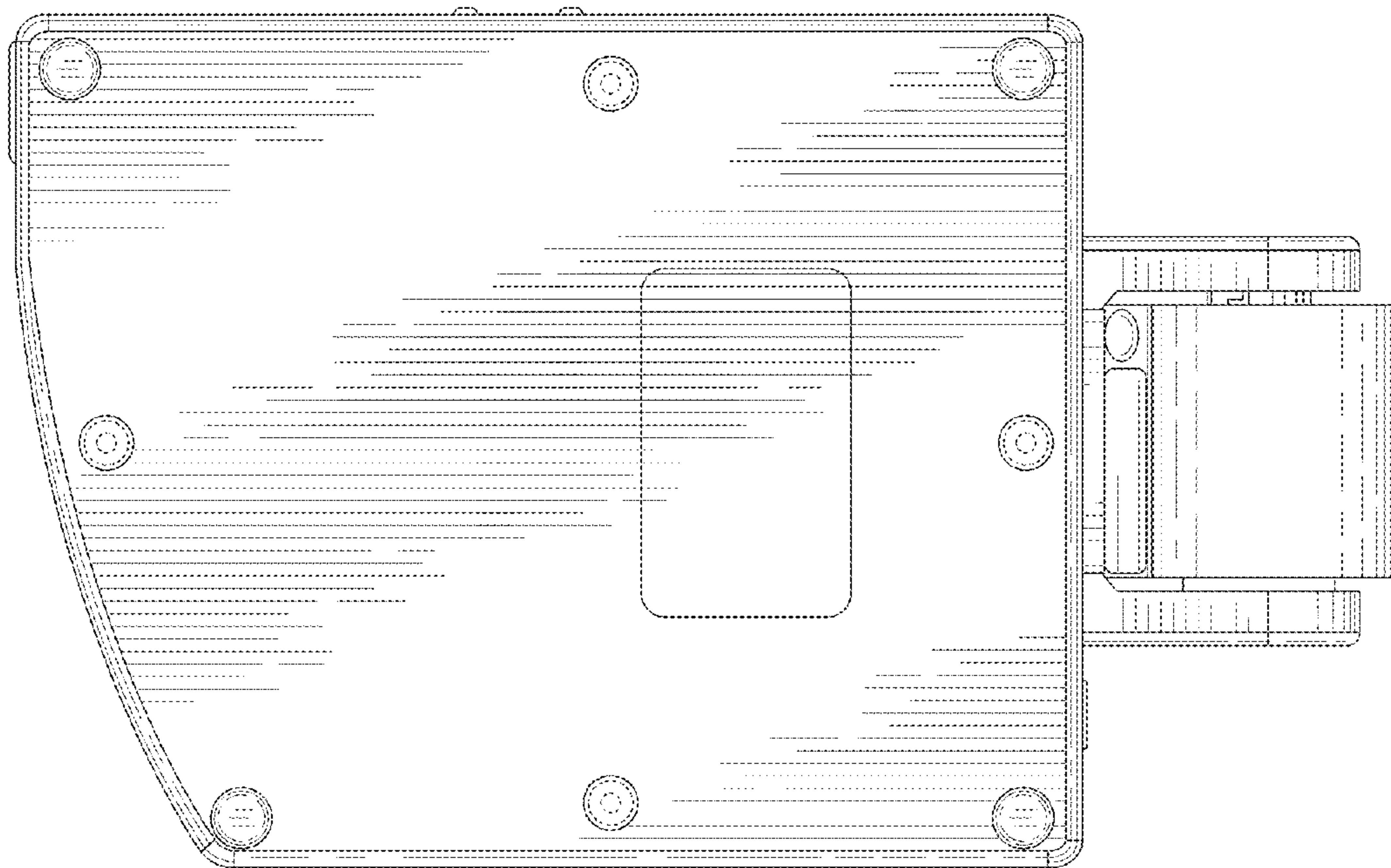


FIG. 7

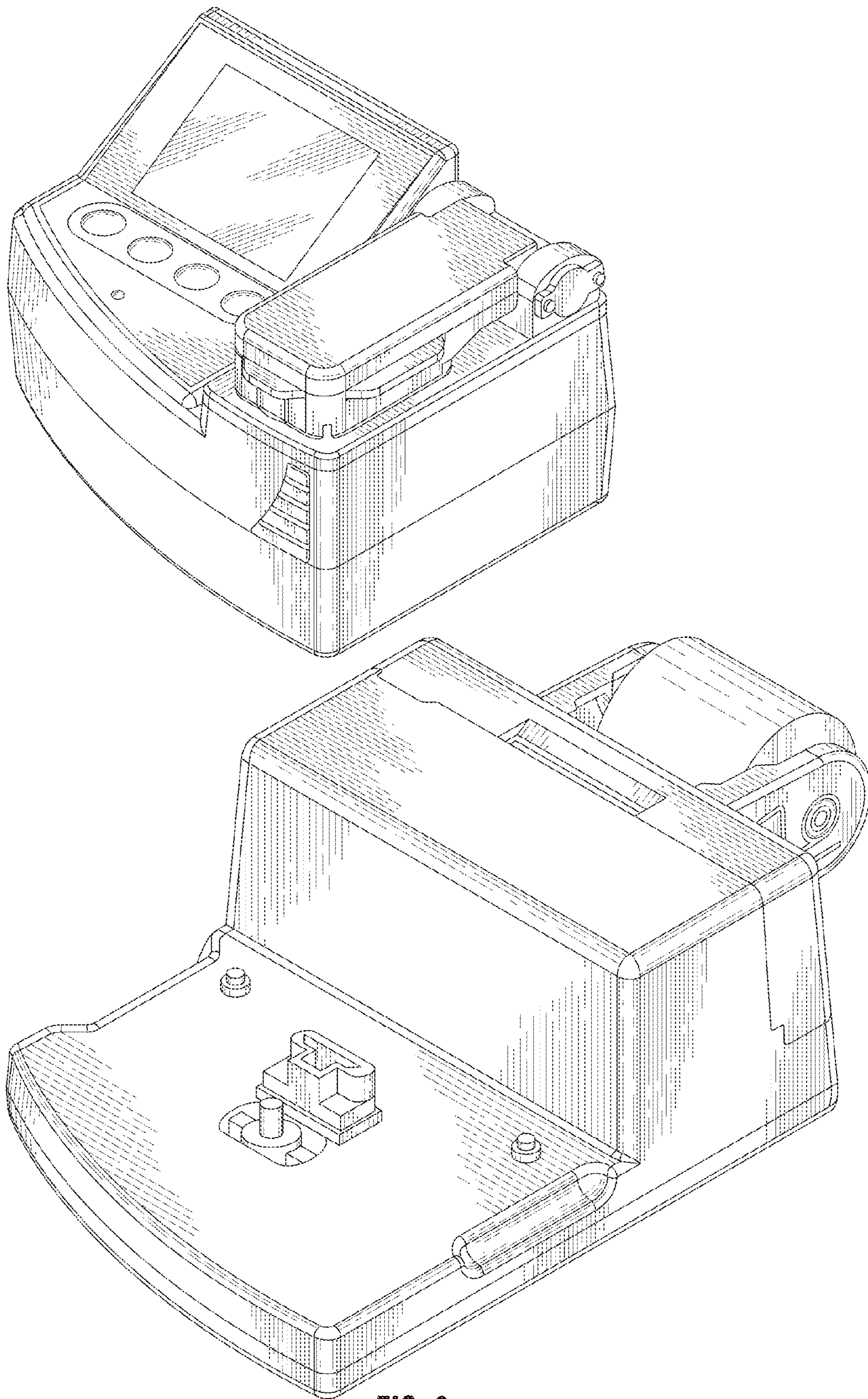


FIG. 8

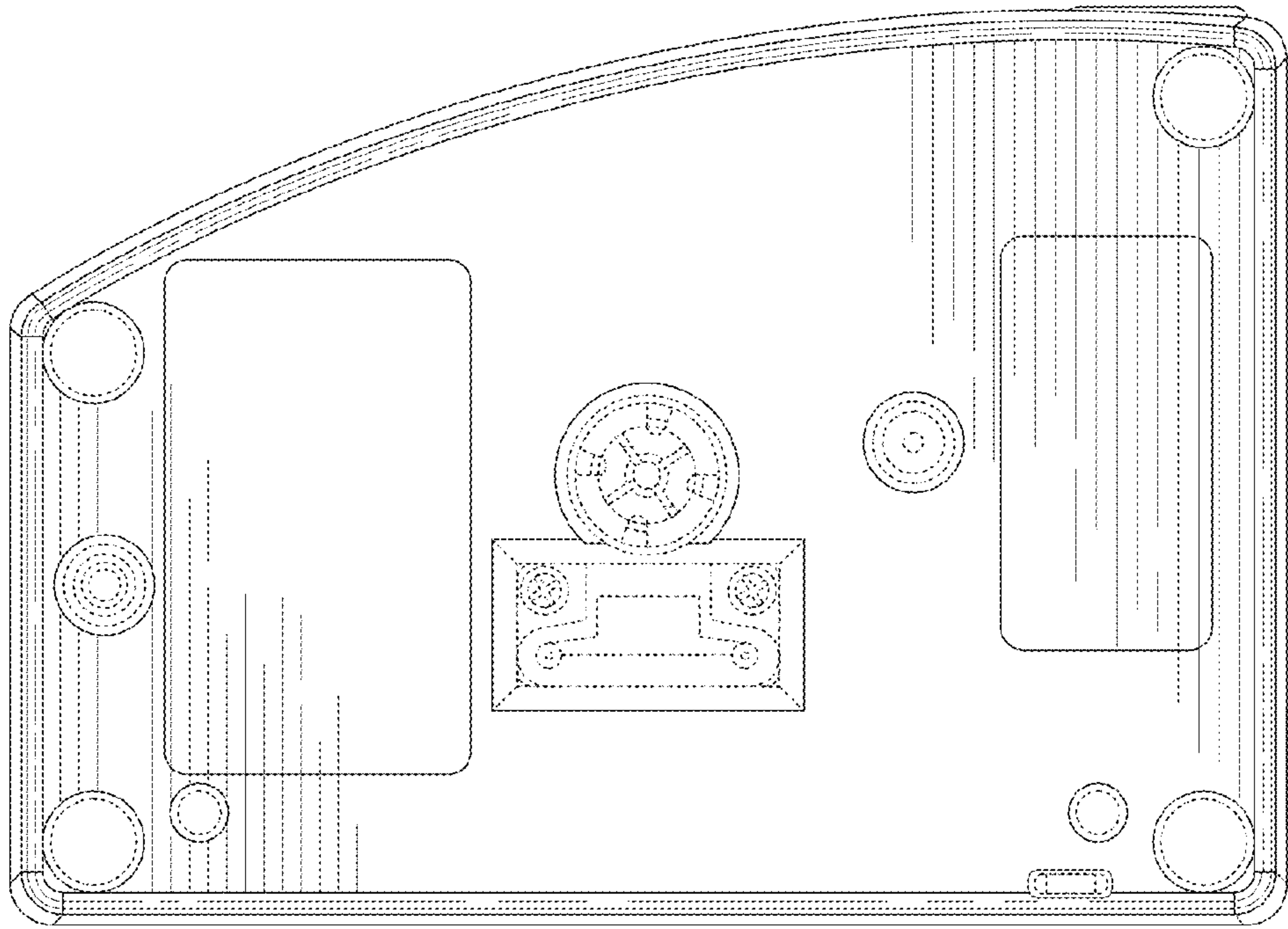


FIG. 9

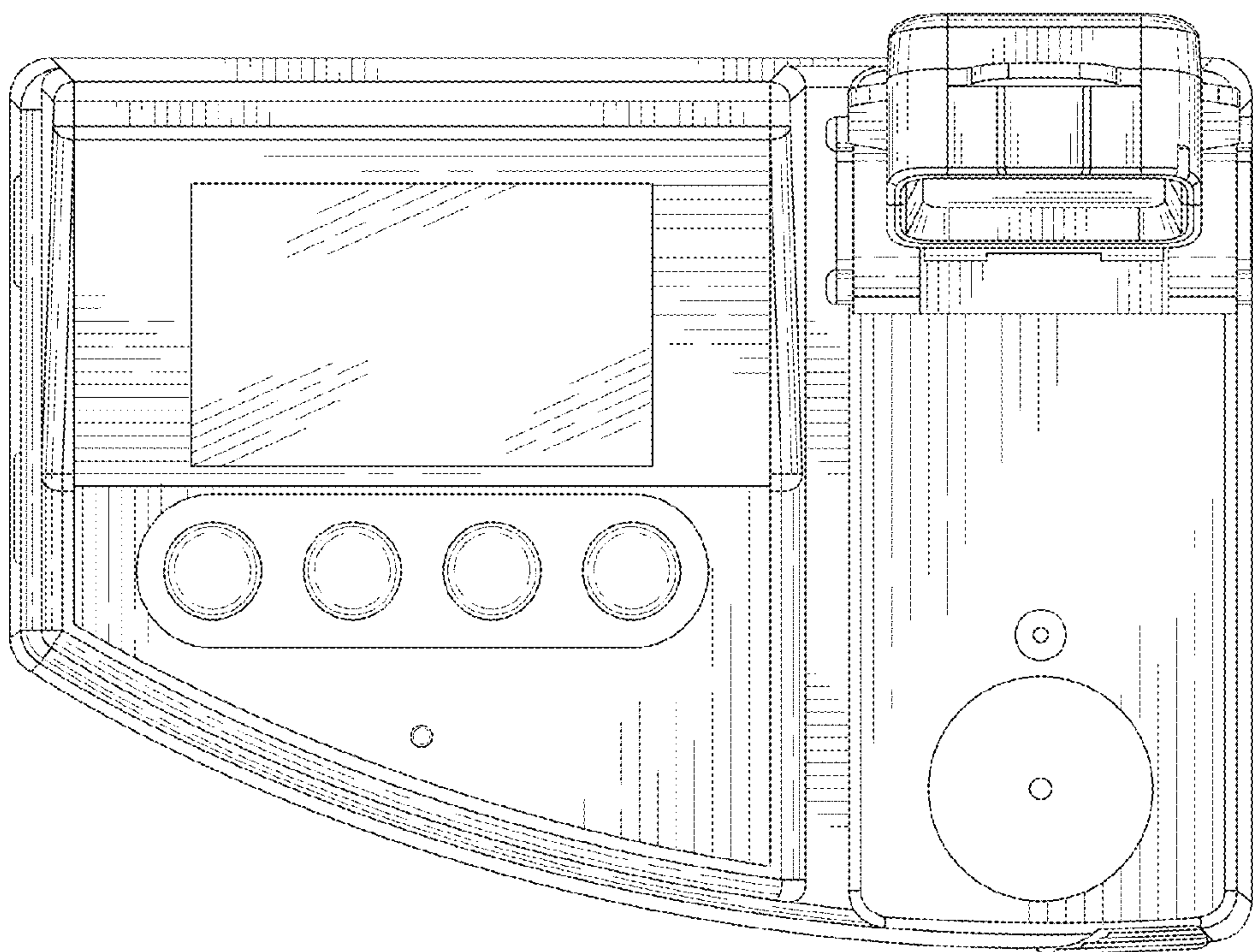


FIG. 10

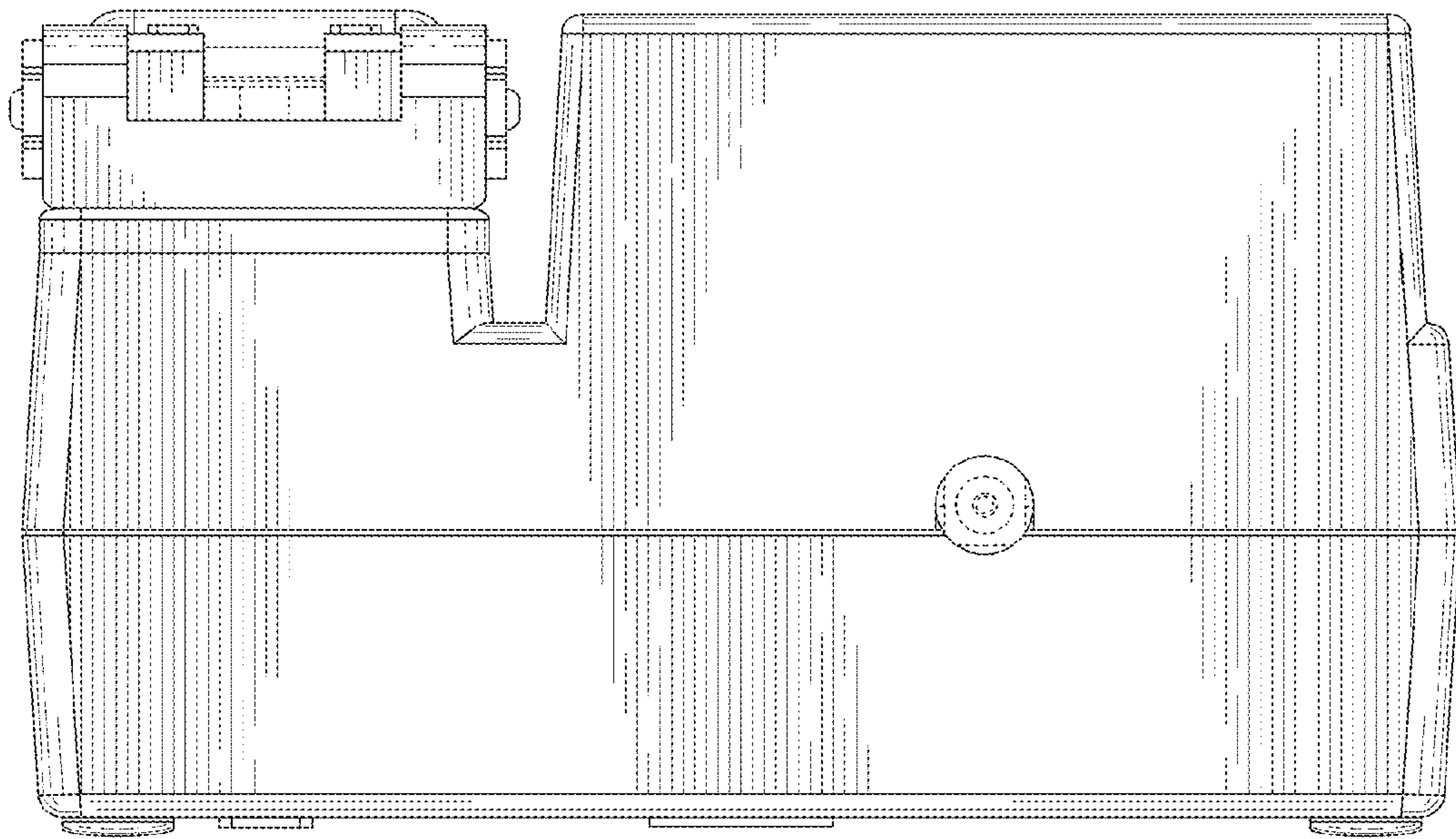


FIG. 11

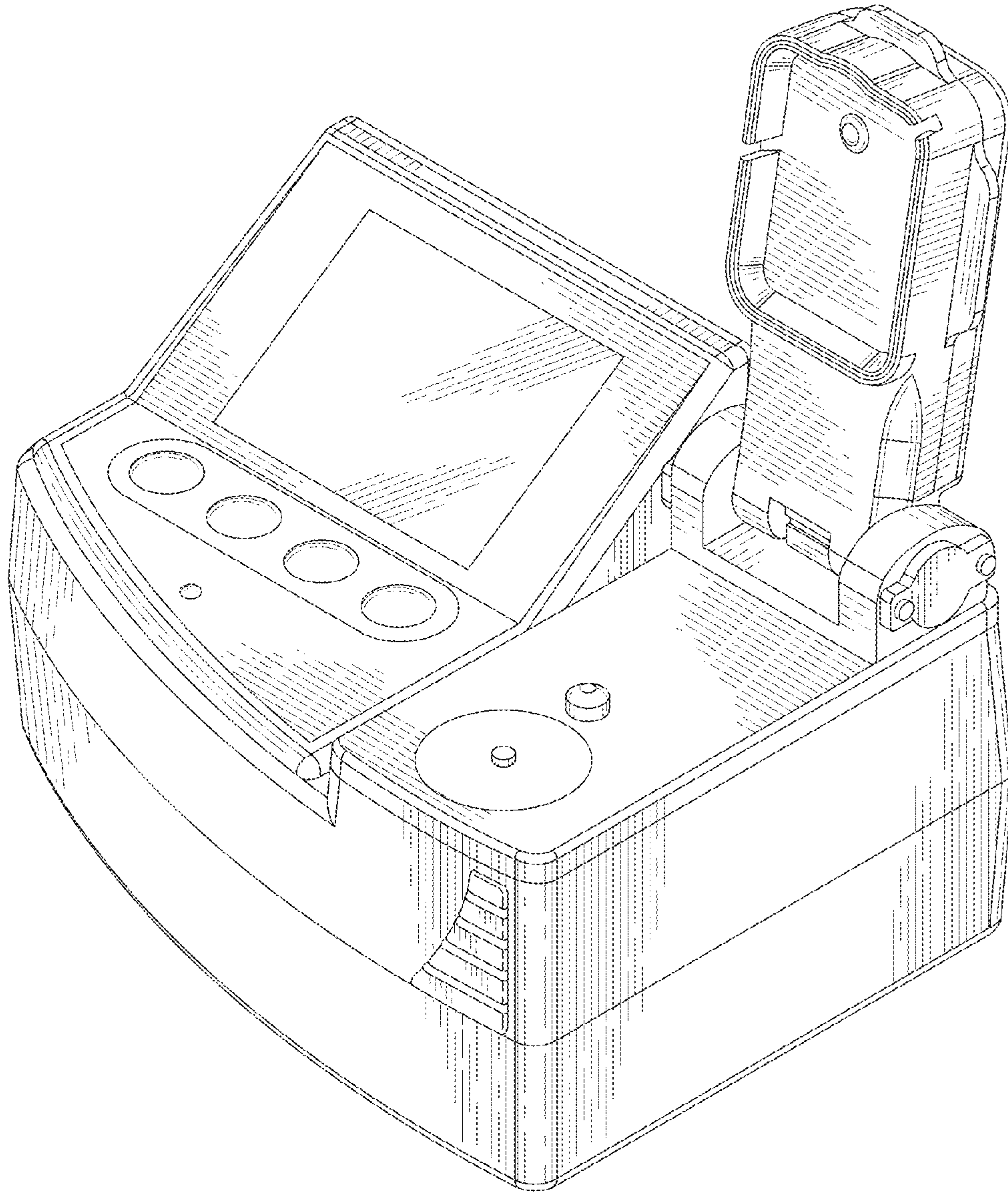


FIG. 12