

US00D693008S

(12) **United States Design Patent**
Chan et al.

(10) **Patent No.:** **US D693,008 S**
(45) **Date of Patent:** **** Nov. 5, 2013**

(54) **SOUND PROCESSOR ENCLOSURE
EXTERIOR**

D300,852 S * 4/1989 Sunderland et al. D24/174
4,819,647 A 4/1989 Byers et al.
D340,522 S * 10/1993 Silbersky D24/174

(71) Applicant: **Advanced Bionics AG**, Staefa (CH)

(Continued)

(72) Inventors: **Mo Choog Chan**, Valencia, CA (US);
Mark Longborg, Woodland Hills, CA
(US); **Markus Michael Heerlein**,
Valencia, CA (US); **Markus Trauter**,
Santa Monica, CA (US)

FOREIGN PATENT DOCUMENTS

EP 1271898 A1 1/2003
EP 1271898 B1 4/2006

(Continued)

(73) Assignee: **Advanced Bionics AG**, Staefa (CH)

Primary Examiner — Anhdao Doan

(74) *Attorney, Agent, or Firm* — Henricks, Slavin & Holmes
LLP

(**) Term: **14 Years**

(57) **CLAIM**

The ornamental design for a sound processor enclosure exterior, as shown and described.

(21) Appl. No.: **29/448,121**

(22) Filed: **Mar. 9, 2013**

DESCRIPTION

(51) **LOC (9) Cl.** **24-99**

(52) **U.S. Cl.**
USPC **D24/174**

(58) **Field of Classification Search**
USPC D24/173-175, 151; D14/205, 206,
D14/223-226, 249; 381/23.1, 312,
381/322-324, 328, 330, 380, 381; 181/135
See application file for complete search history.

FIG. 1 is a top isometric view of a sound processor enclosure exterior showing the new design, FIG. 2 is a bottom isometric view thereof, FIG. 3 is a front view thereof, FIG. 4 is a rear view thereof, FIG. 5 is a right side view thereof, and the left side view is identical, FIG. 6 is a top view thereof, FIG. 7 is a bottom view thereof, FIG. 8 is a top isometric view of another sound processor enclosure exterior showing the new design, FIG. 9 is a bottom isometric view thereof, FIG. 10 is a front view thereof, FIG. 11 is a rear view thereof, FIG. 12 is a right side view thereof, and the left side view is identical, FIG. 13 is a top view thereof; and, FIG. 14 is a bottom view thereof.

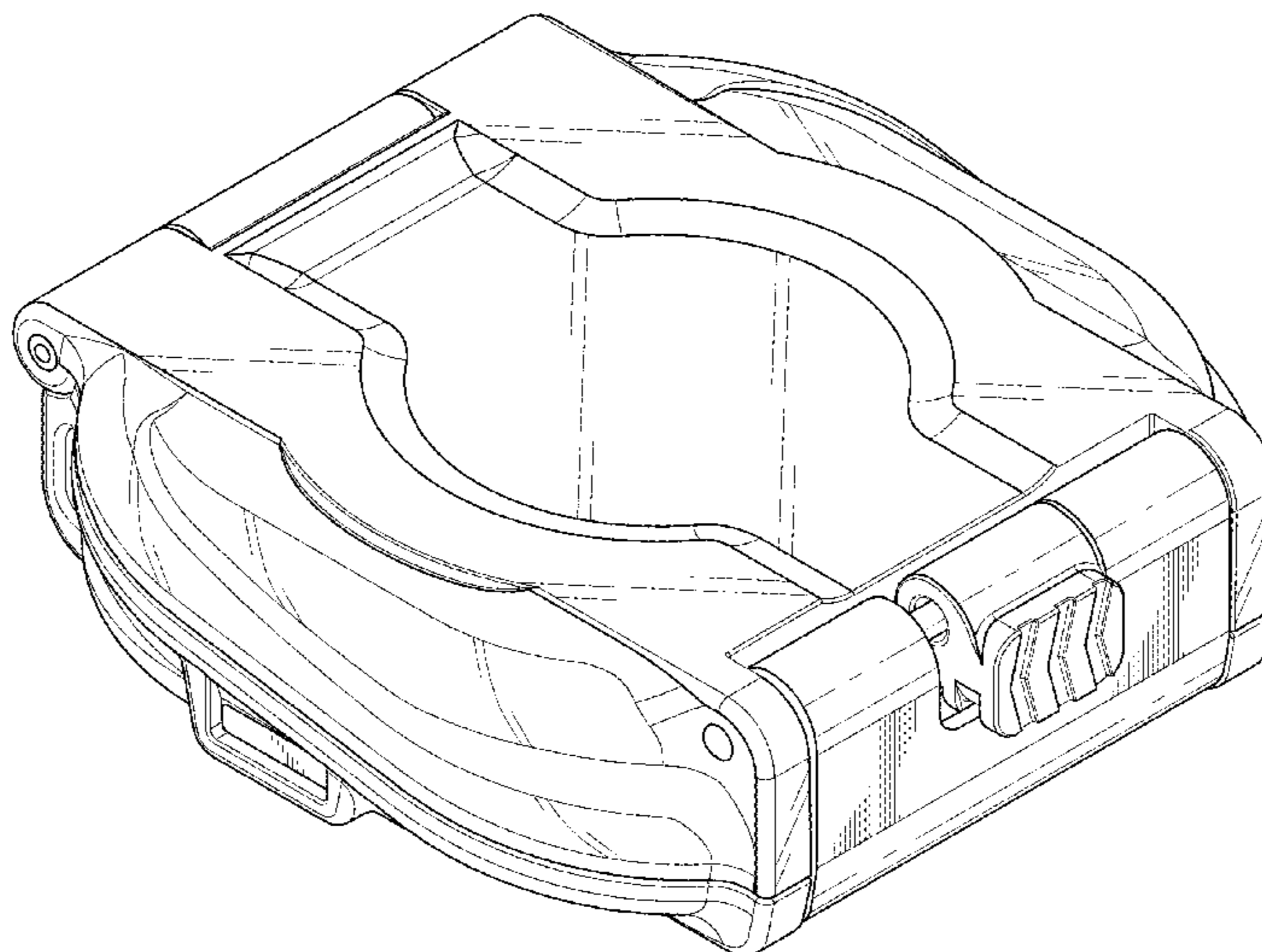
The broken line showing of an electrical connector is for the purpose of illustrating portions of the article that form no part of the claimed design.

(56) **References Cited**

U.S. PATENT DOCUMENTS

1,422,877 A 7/1922 Maxfield
4,248,237 A 2/1981 Kenny
4,347,956 A 9/1982 Berger
4,419,995 A 12/1983 Hochmair et al.
4,456,797 A 6/1984 Olsen
4,532,930 A 8/1985 Crosby et al.
4,545,381 A 10/1985 Bournay
4,562,590 A 12/1985 DeLage
4,584,718 A 4/1986 Fuller
4,682,363 A 7/1987 Goldfarb et al.
4,683,587 A 7/1987 Silverman
4,727,599 A 2/1988 Rappaport et al.

1 Claim, 10 Drawing Sheets



(56)

References Cited

U.S. PATENT DOCUMENTS

5,294,988 A 3/1994 Wakabayashi et al.
 5,386,084 A 1/1995 Risko
 D360,949 S * 8/1995 Mostardo D24/174
 5,603,726 A 2/1997 Schulman et al.
 D380,048 S * 6/1997 Hampf et al. D24/174
 5,637,417 A 6/1997 Engmark et al.
 5,824,022 A 10/1998 Zilberman et al.
 5,948,006 A 9/1999 Mann
 D419,677 S * 1/2000 McKimm D24/175
 6,067,474 A 5/2000 Schulman et al.
 6,092,707 A 7/2000 Bowes
 6,272,382 B1 8/2001 Faltys et al.
 6,308,101 B1 10/2001 Faltys et al.
 6,390,971 B1 5/2002 Adams et al.
 6,396,769 B1 5/2002 Polany
 6,614,722 B2 9/2003 Polany et al.
 6,697,674 B2 2/2004 Leysieffer
 6,748,093 B2 6/2004 Topholm
 6,748,094 B1 6/2004 Tziviskos et al.
 6,761,266 B2 7/2004 Popish
 6,775,389 B2 8/2004 Harrison et al.
 6,778,858 B1 8/2004 Peeters
 6,810,289 B1 10/2004 Shaquer
 6,922,591 B2 7/2005 Single
 6,954,405 B2 10/2005 Polany et al.
 7,003,128 B2 2/2006 Boonen
 7,058,452 B2 6/2006 Dahlberg
 7,069,063 B2 6/2006 Halkosaari et al.
 D528,213 S 9/2006 Darley et al.
 7,113,611 B2 9/2006 Leedom et al.
 7,123,733 B1 10/2006 Borowsky et al.
 D532,520 S * 11/2006 Kampmeier et al. D24/174
 7,142,926 B2 11/2006 Crawford
 7,158,376 B2 1/2007 Richardson et al.
 7,167,572 B1 1/2007 Harrison et al.
 7,171,014 B2 1/2007 Morales et al.

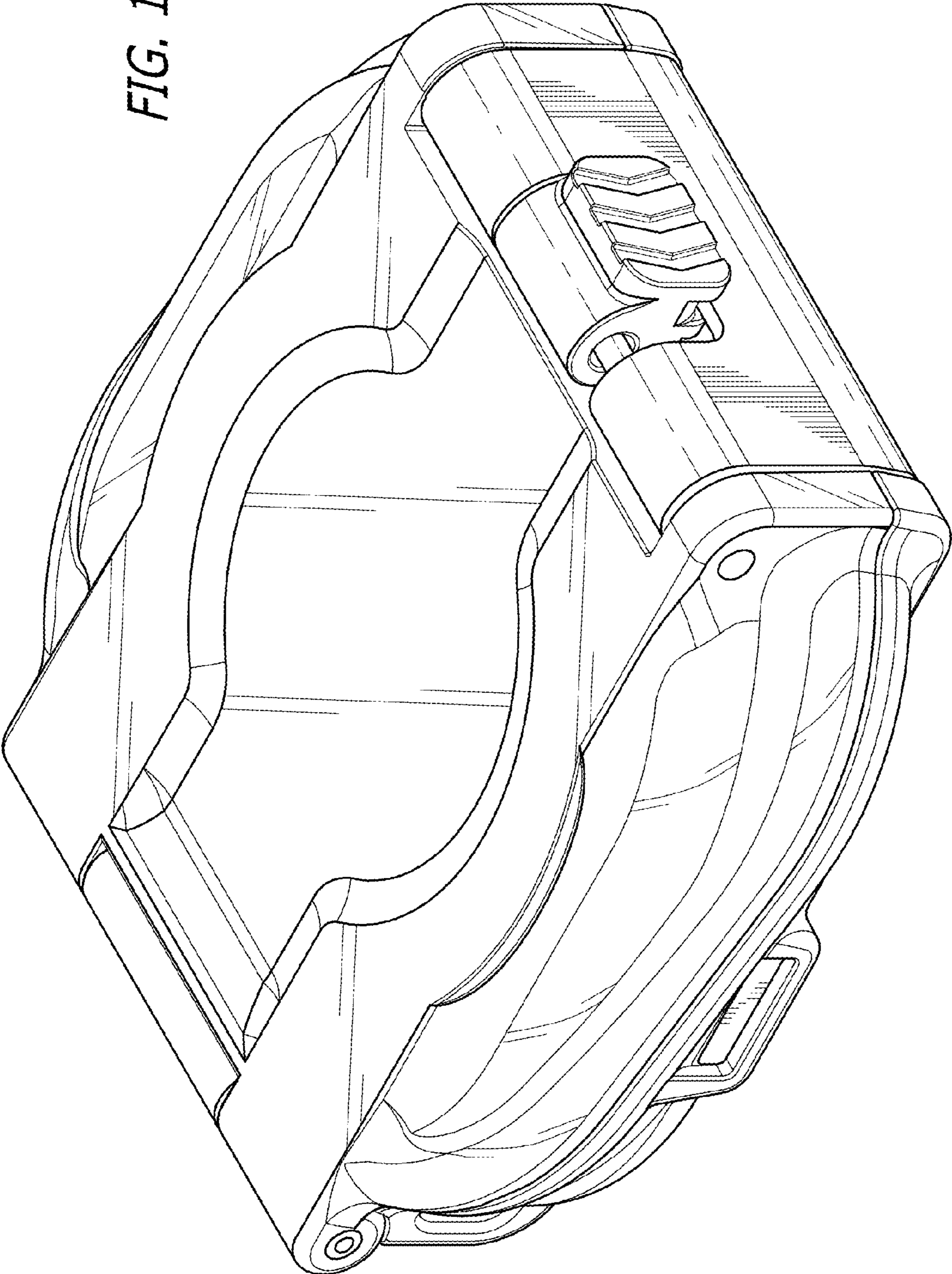
7,174,214 B2 2/2007 Seligman
 7,263,032 B2 8/2007 Polany et al.
 7,312,984 B2 12/2007 Richardson et al.
 7,400,917 B2 7/2008 Wood et al.
 7,535,799 B2 5/2009 Polany et al.
 D595,262 S * 6/2009 Nousiainen D14/206
 D605,168 S * 12/2009 Jaakkola et al. D14/205
 D605,293 S * 12/2009 Kurokawa et al. D24/174
 7,630,772 B1 12/2009 Walsh et al.
 7,660,633 B2 2/2010 Darley et al.
 8,068,914 B1 11/2011 Walsh et al.
 8,155,748 B1 4/2012 Walsh et al.
 D670,390 S * 11/2012 Goodman et al. D24/174
 8,352,037 B2 1/2013 Darley et al.
 D681,213 S * 4/2013 Solby et al. D24/174
 2002/0193136 A1 12/2002 Halkosaari et al.
 2003/0031336 A1 2/2003 Harrison et al.
 2003/0036782 A1 2/2003 Hartley
 2004/0073275 A1 4/2004 Maltan et al.
 2005/0181745 A1 8/2005 Wood et al.
 2007/0106344 A1 5/2007 Darley et al.
 2007/0270180 A1 11/2007 Takagi
 2008/0298627 A1 12/2008 Bonebright et al.
 2009/0017884 A1 1/2009 Rotschild
 2010/0137941 A1 6/2010 Darley et al.
 2010/0137942 A1 6/2010 Darley et al.
 2012/0041517 A1 2/2012 Walsh et al.
 2012/0189148 A1 * 7/2012 Bewley et al. 381/322

FOREIGN PATENT DOCUMENTS

WO WO 01/87014 A2 11/2001
 WO WO-03/076012 A1 9/2003
 WO WO 2005/007049 A1 1/2005
 WO WO 2006/071210 A1 7/2006
 WO WO 2007/102158 A2 9/2007
 WO WO 2008/150642 A1 12/2008
 WO WO 2012098443 A2 7/2012

* cited by examiner

FIG. 1



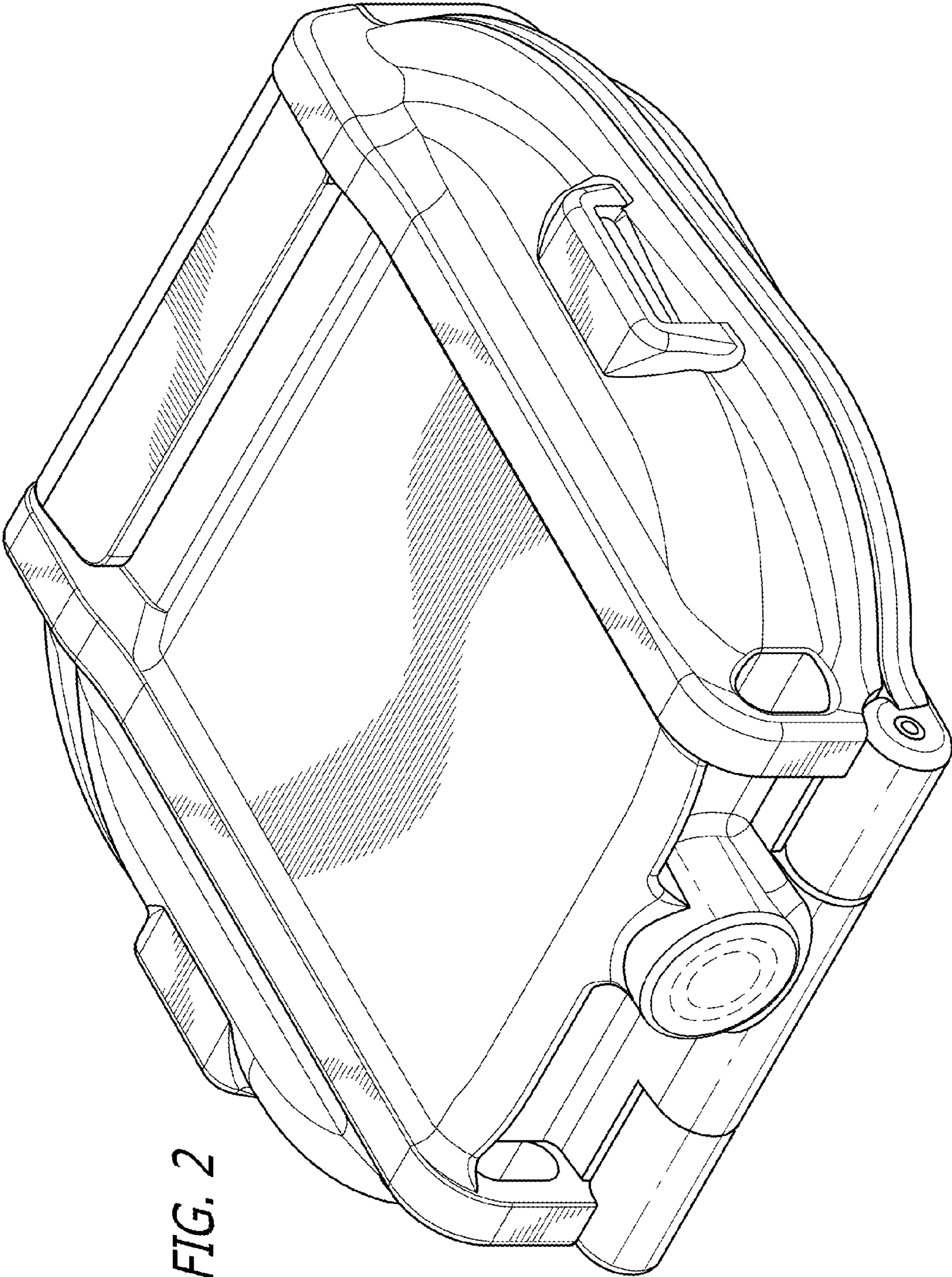


FIG. 2

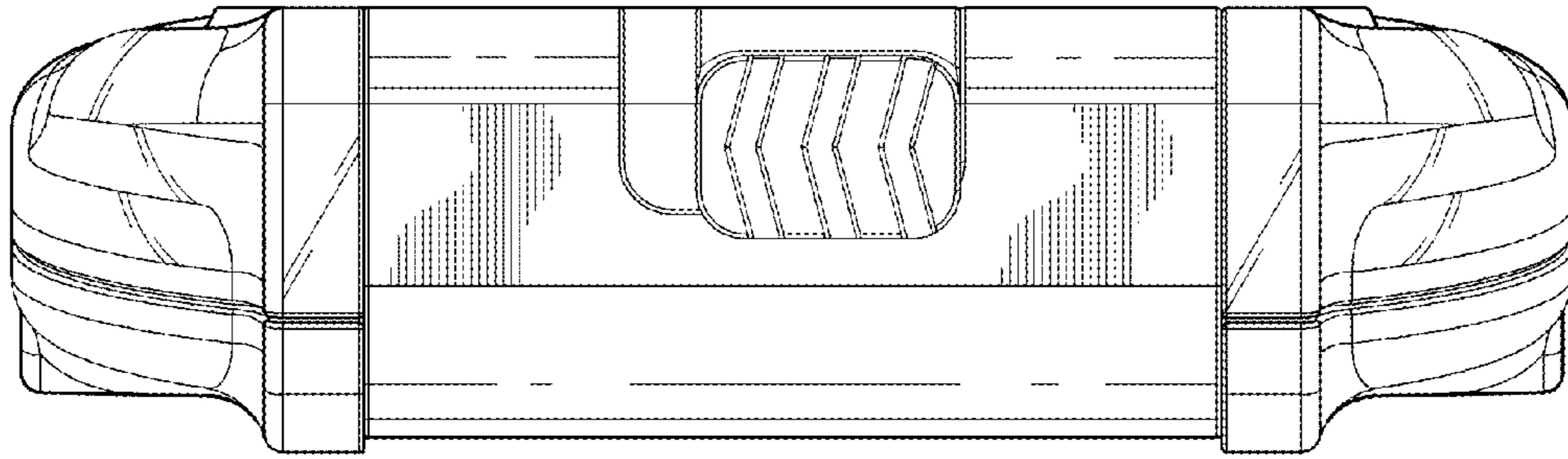


FIG. 3

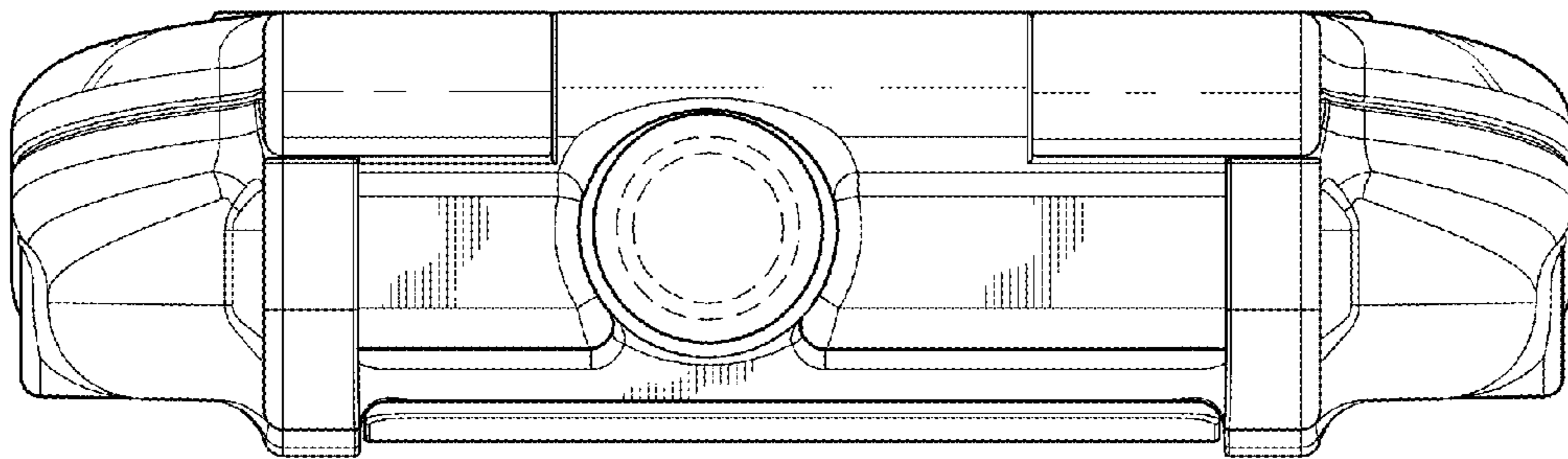


FIG. 4

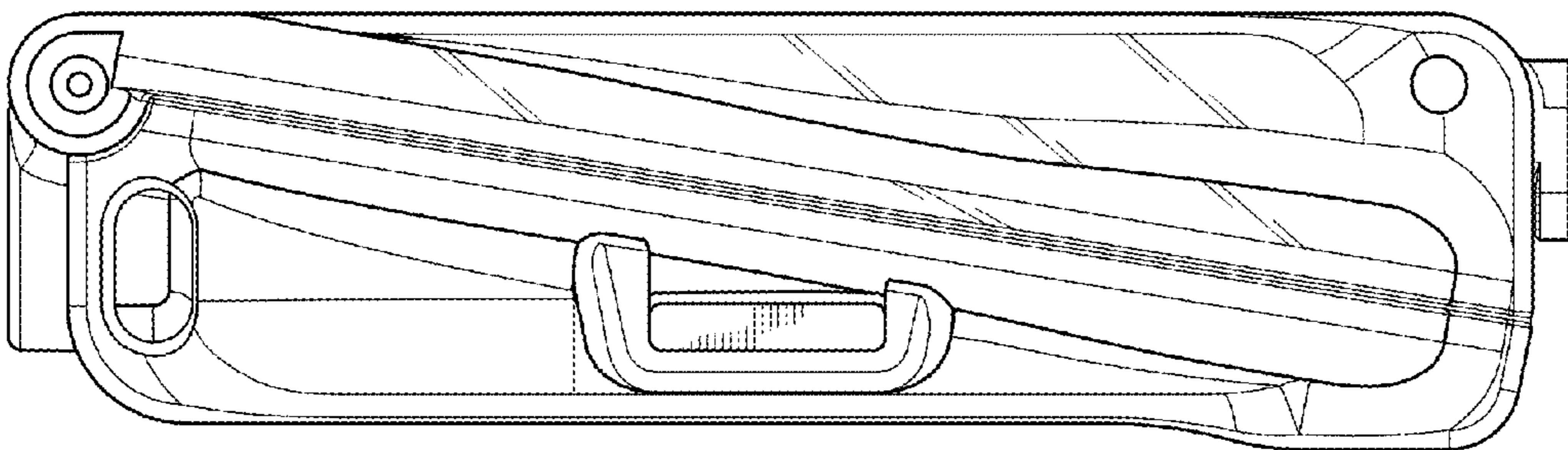


FIG. 5

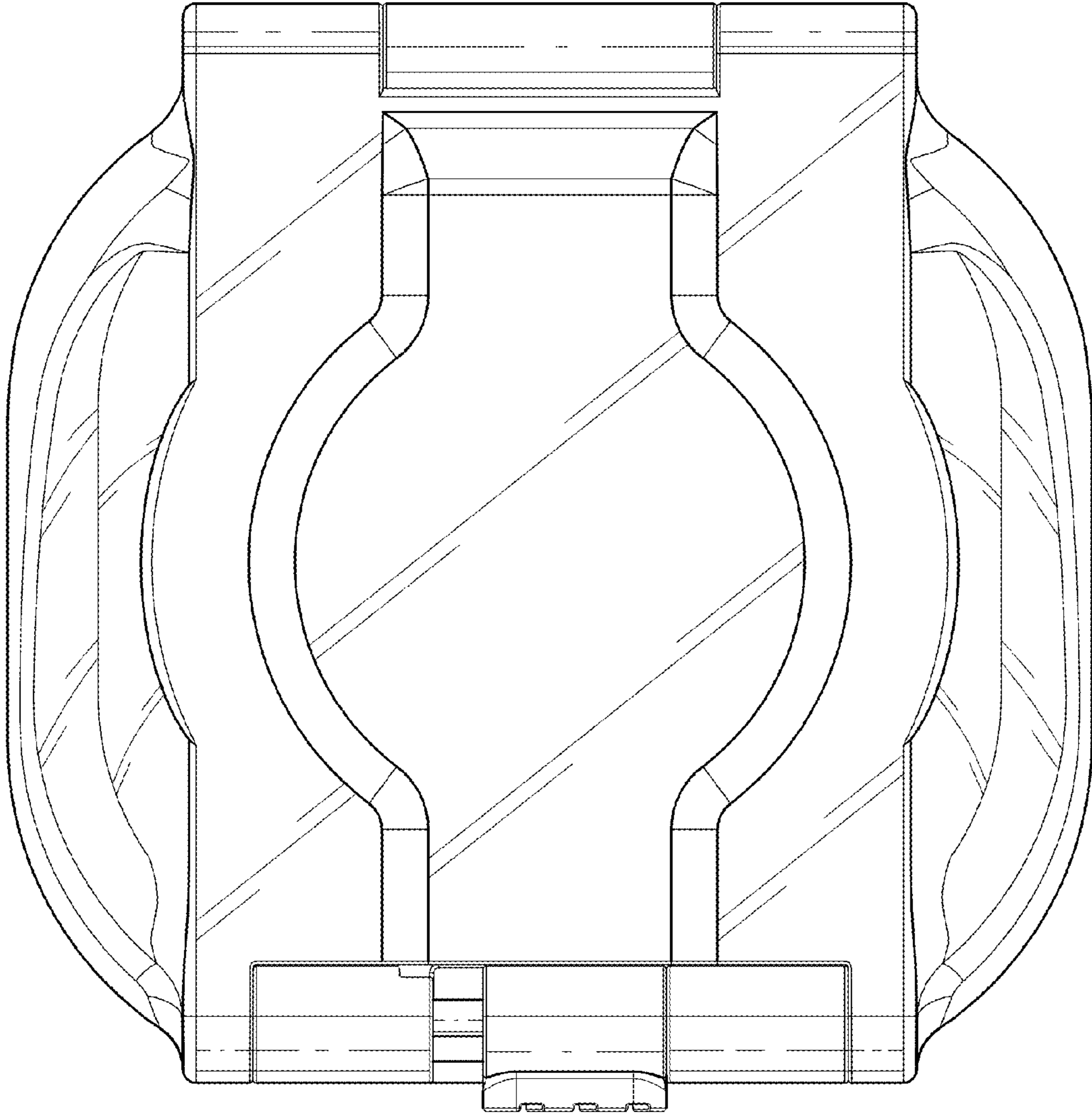


FIG. 6

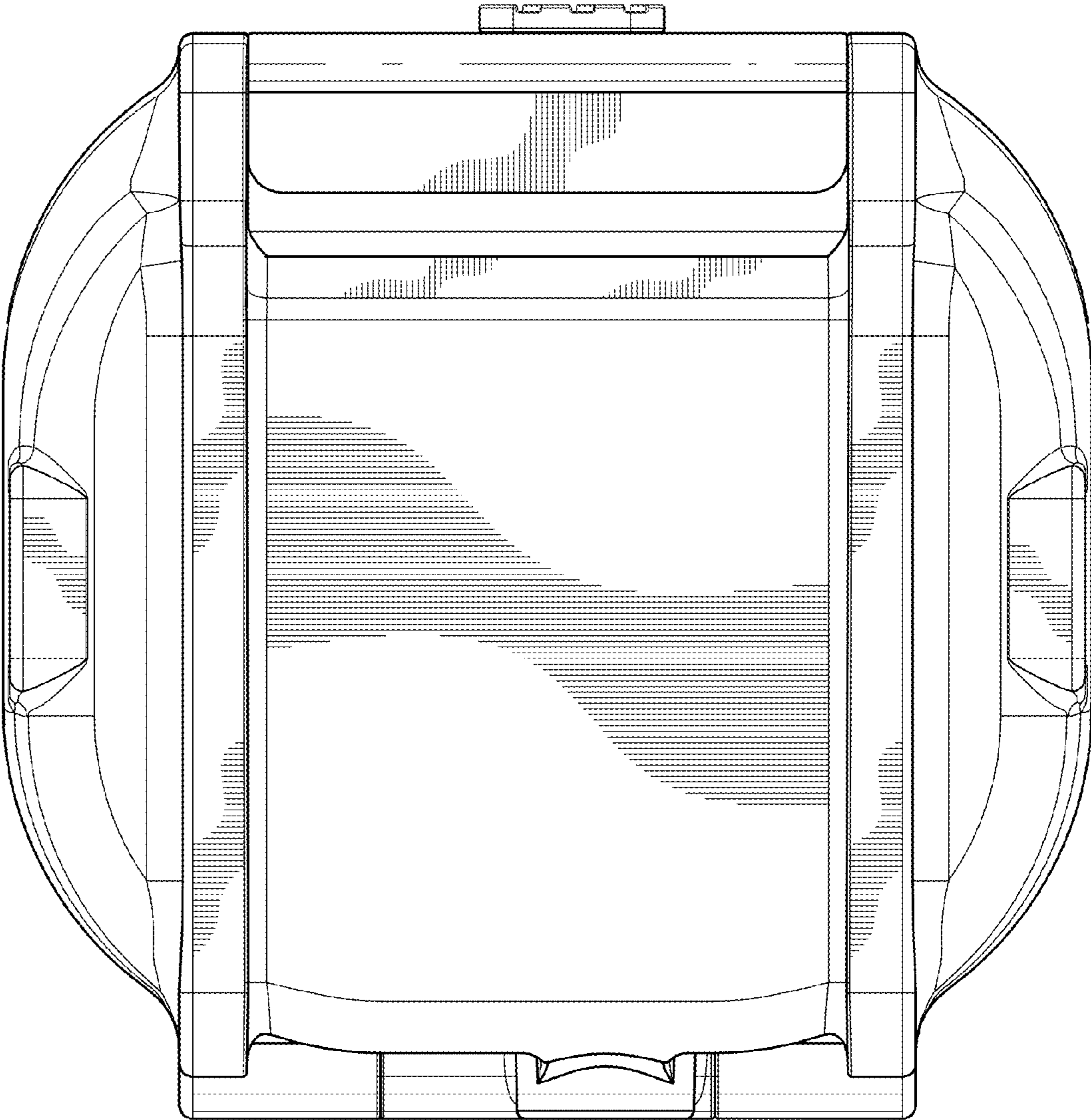
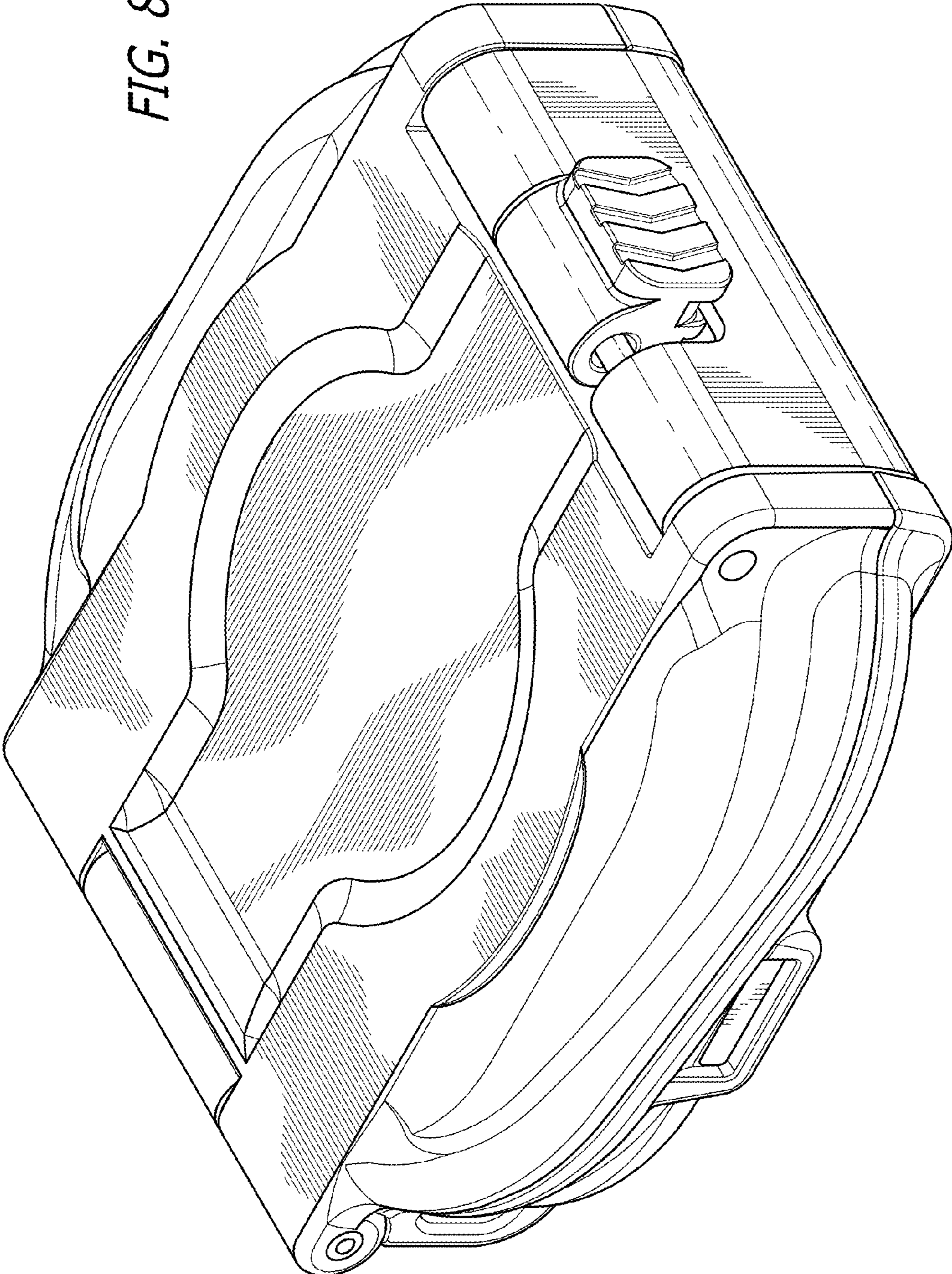


FIG. 7

FIG. 8



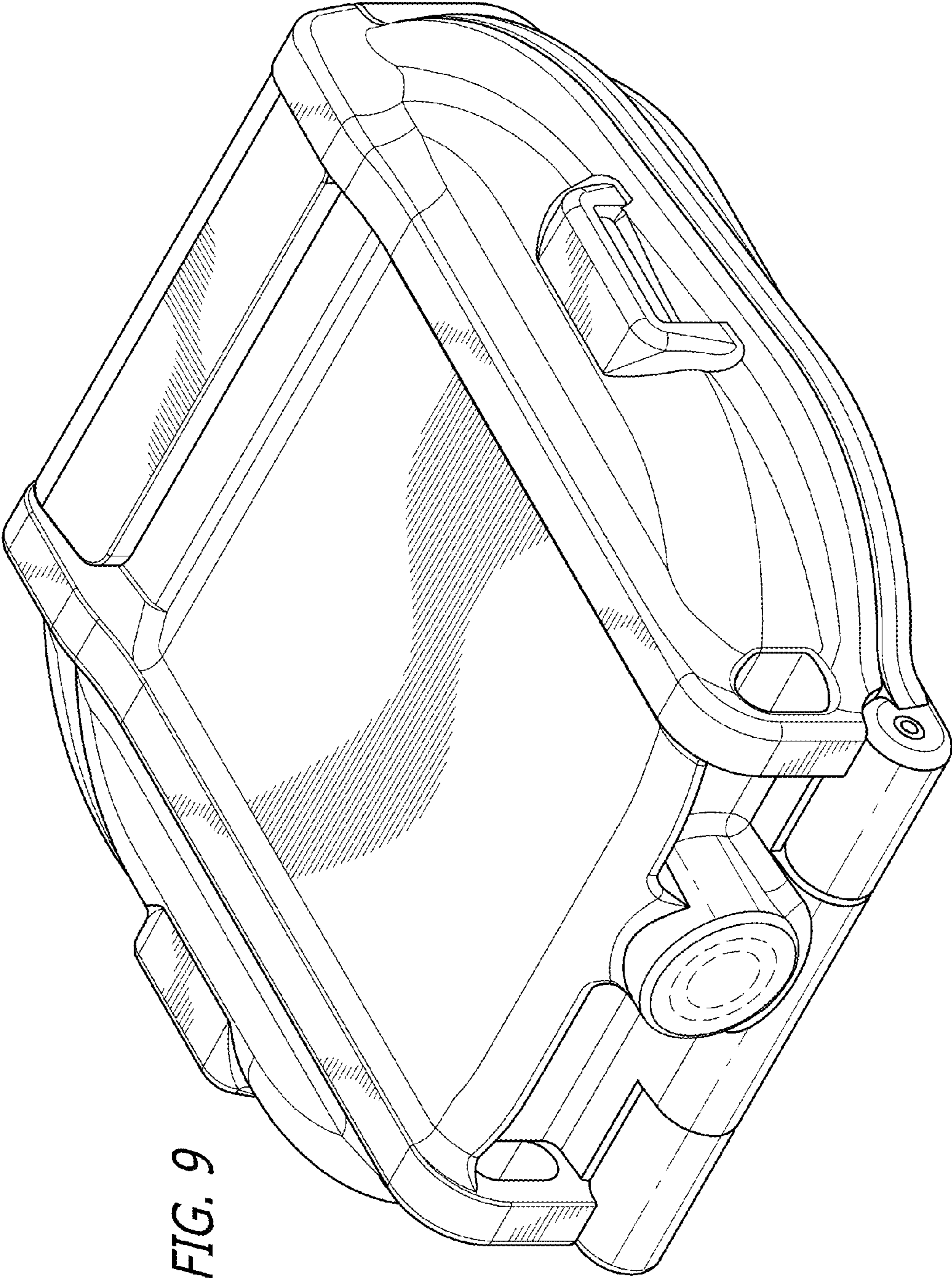


FIG. 9

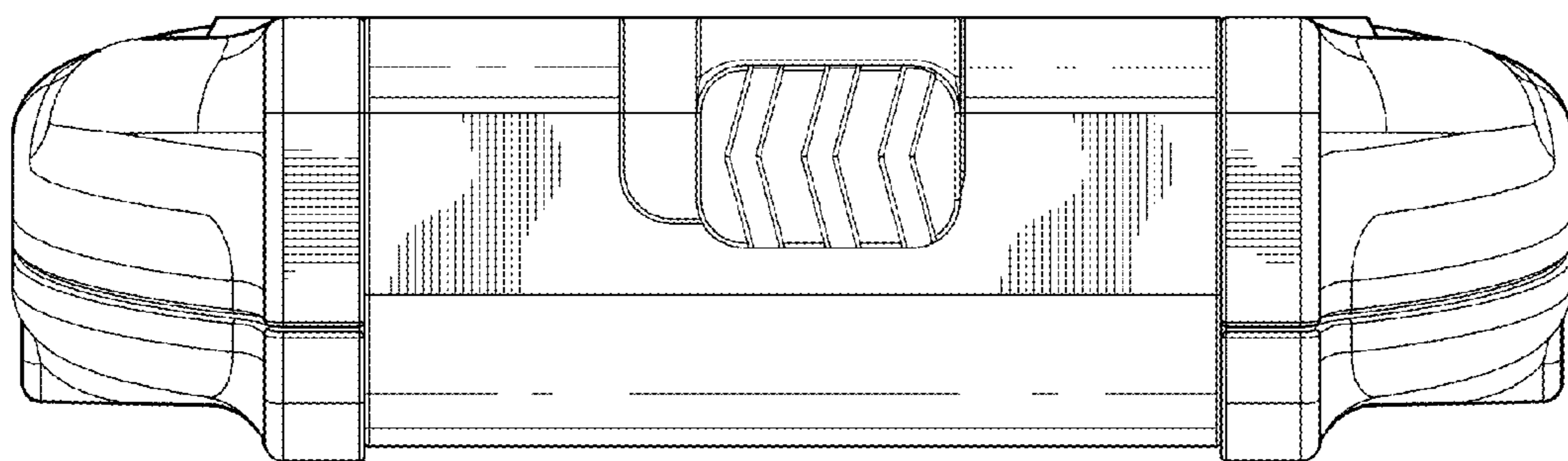


FIG. 10

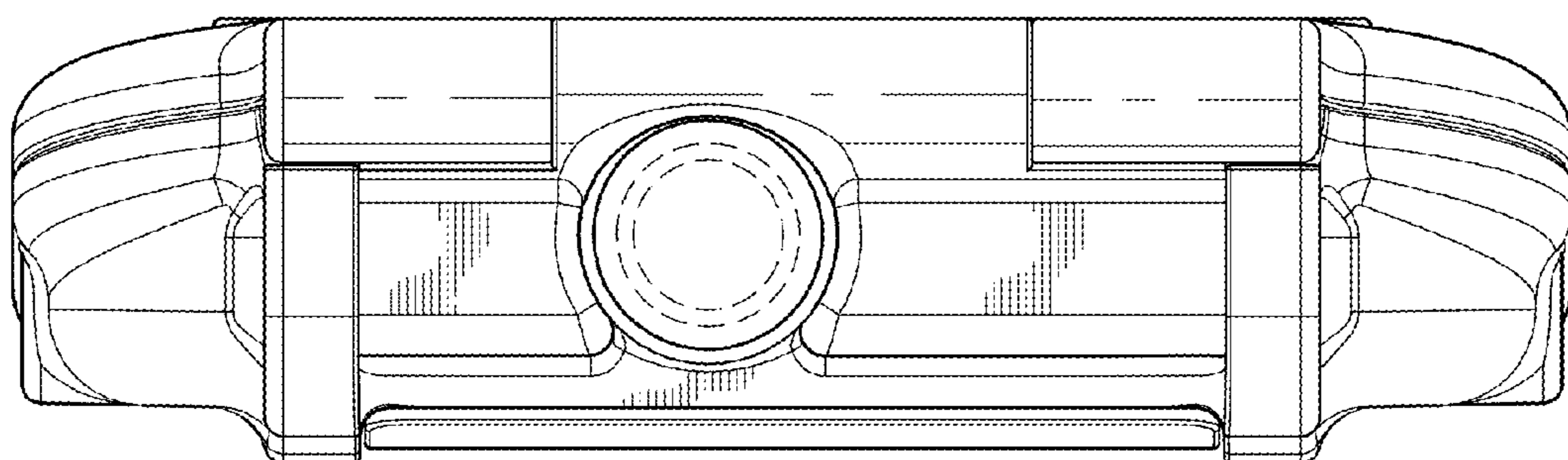


FIG. 11

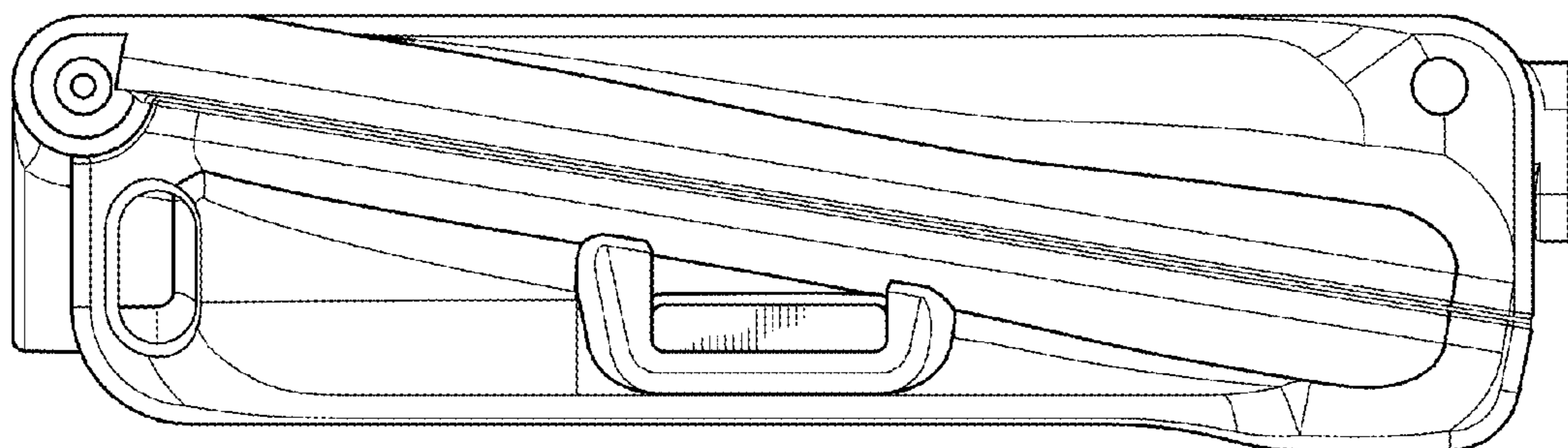


FIG. 12

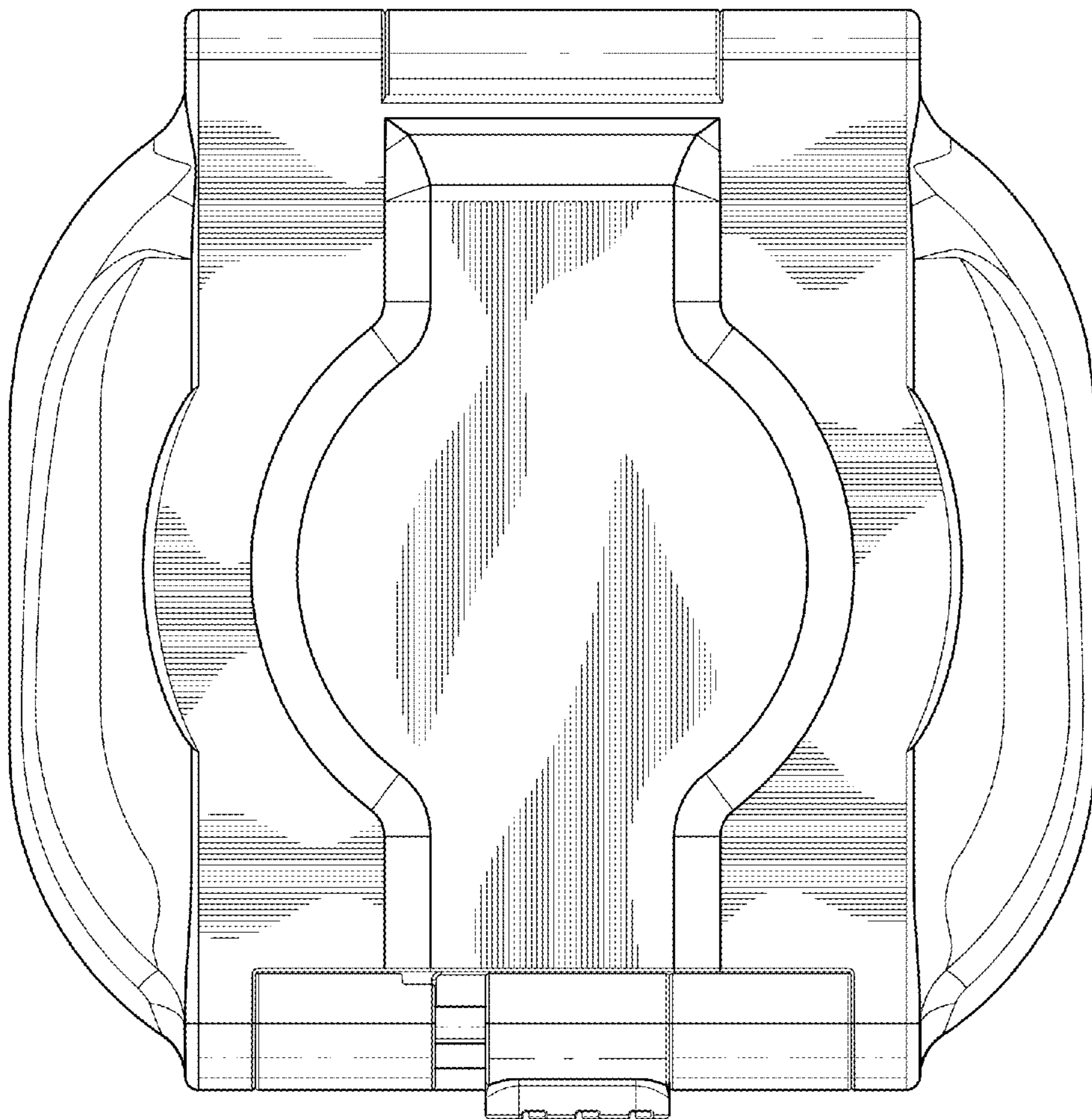


FIG. 13

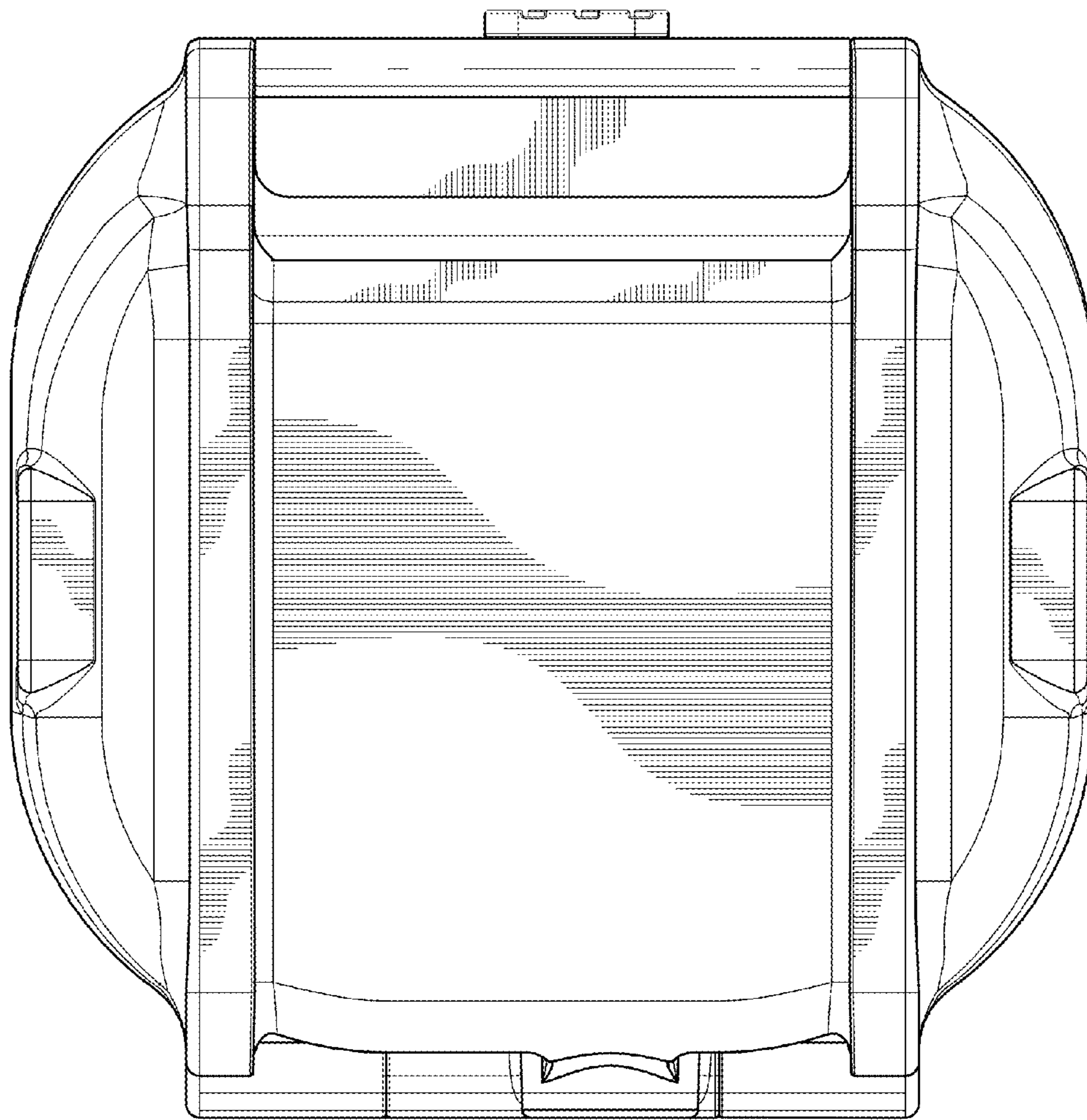


FIG. 14

UNITED STATES PATENT AND TRADEMARK OFFICE
CERTIFICATE OF CORRECTION

PATENT NO. : D693,008 S
APPLICATION NO. : 29/448121
DATED : November 5, 2013
INVENTOR(S) : Mo Choong Chan et al.

Page 1 of 1

It is certified that error appears in the above-identified patent and that said Letters Patent is hereby corrected as shown below:

On the title page, item (72), "Mo Choog Chan" should be changed to --Mo Choong Chan--.

Signed and Sealed this
Twenty-fifth Day of February, 2014



Michelle K. Lee
Deputy Director of the United States Patent and Trademark Office