



US00D693006S

(12) **United States Design Patent**
Arimitsu et al.

(10) **Patent No.:** **US D693,006 S**

(45) **Date of Patent:** **** Nov. 5, 2013**

(54) **DEFIBRILLATOR**

(75) Inventors: **Takaya Arimitsu**, Tokyo (JP); **Youhei Shimizu**, Tokyo (JP); **Haruo Fujimoto**, Tokyo (JP); **Shuko Kawamura**, Tokyo (JP)

(73) Assignee: **Nihon Kohden Corporation**, Tokyo (JP)

(**) Term: **14 Years**

(21) Appl. No.: **29/432,437**

(22) Filed: **Sep. 14, 2012**

Related U.S. Application Data

(62) Division of application No. 29/391,849, filed on May 13, 2011.

(30) **Foreign Application Priority Data**

Nov. 15, 2010 (JP) 2010-027458
Nov. 15, 2010 (JP) 2010-027459

(51) **LOC (9) Cl.** **24-01**

(52) **U.S. Cl.**
USPC **D24/167**

(58) **Field of Classification Search**
USPC D24/164-168, 186, 187, 107; 607/5-8,
607/10, 36, 37
See application file for complete search history.

(56) **References Cited**

U.S. PATENT DOCUMENTS

D393,072 S 3/1998 Rogler
D402,758 S * 12/1998 Barkley et al. D24/167
5,935,152 A 8/1999 Merry et al.
D414,869 S 10/1999 Daynes et al.
D415,279 S 10/1999 Daynes et al.
D455,492 S 4/2002 Daynes et al.
6,714,817 B2 3/2004 Daynes et al.

D592,754 S 5/2009 Koike et al.
7,603,173 B2 10/2009 Parascandola et al.
D621,511 S 8/2010 Lathrop et al.
D623,301 S 9/2010 Wung
D649,644 S 11/2011 Chai
D658,296 S 4/2012 Matheson
2011/0130798 A1* 6/2011 Elghazzawi et al. 607/5
2012/0123491 A1* 5/2012 Hunter et al. 607/7

FOREIGN PATENT DOCUMENTS

JP 1000536 1/1998
NL 001650292-0001 12/2009

OTHER PUBLICATIONS

Office Action issued in corresponding U.S. Appl. No. 29/391,849 dated Oct. 11, 2012 (14 pages).

* cited by examiner

Primary Examiner — Anhdao Doan

(74) *Attorney, Agent, or Firm* — Osha Liang LLP

(57) **CLAIM**

The ornamental design for a defibrillator, as shown and described.

DESCRIPTION

FIG. 1 is a perspective view of the front, top, and right side of a defibrillator showing our new design;
FIG. 2 is a front view thereof;
FIG. 3 is a rear view thereof;
FIG. 4 is a top plan view thereof;
FIG. 5 is a bottom view thereof;
FIG. 6 is a left side view thereof; and,
FIG. 7 is a right side view thereof.

The broken lines in the Figure views are include for the purpose of illustrating portions of the defibrillator that form no part of the claimed design.

1 Claim, 5 Drawing Sheets

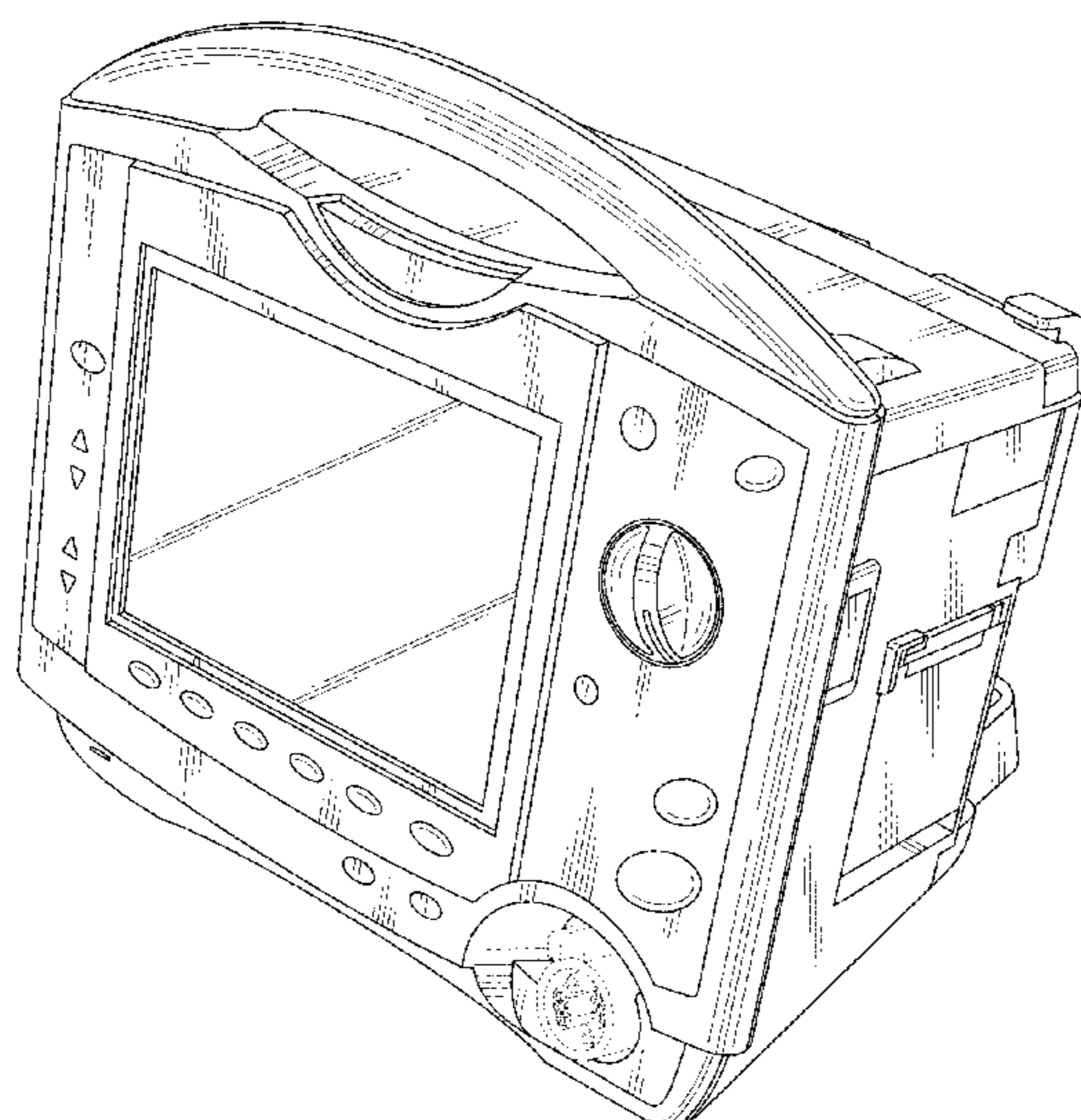


Fig. 1

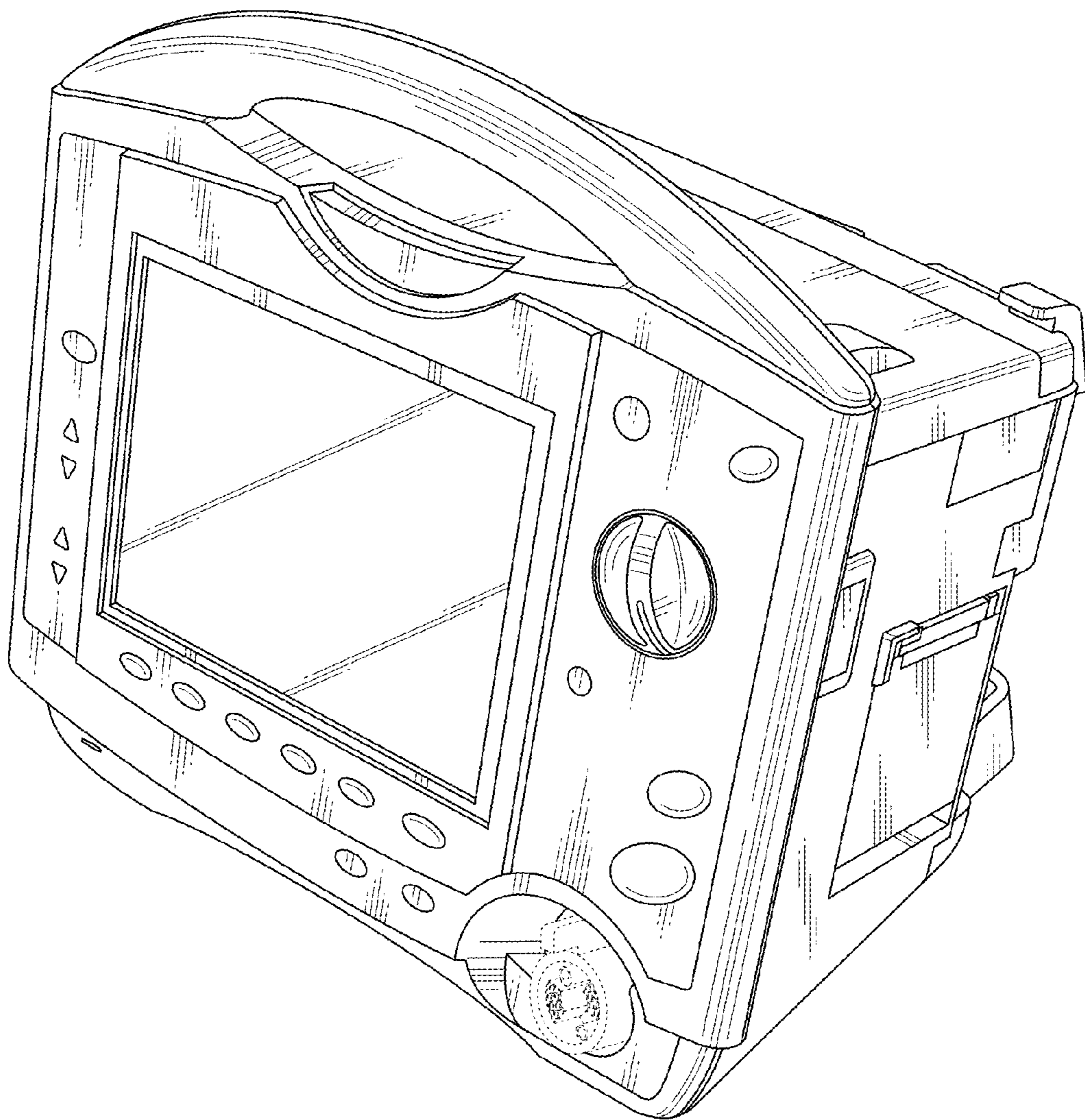


Fig. 2

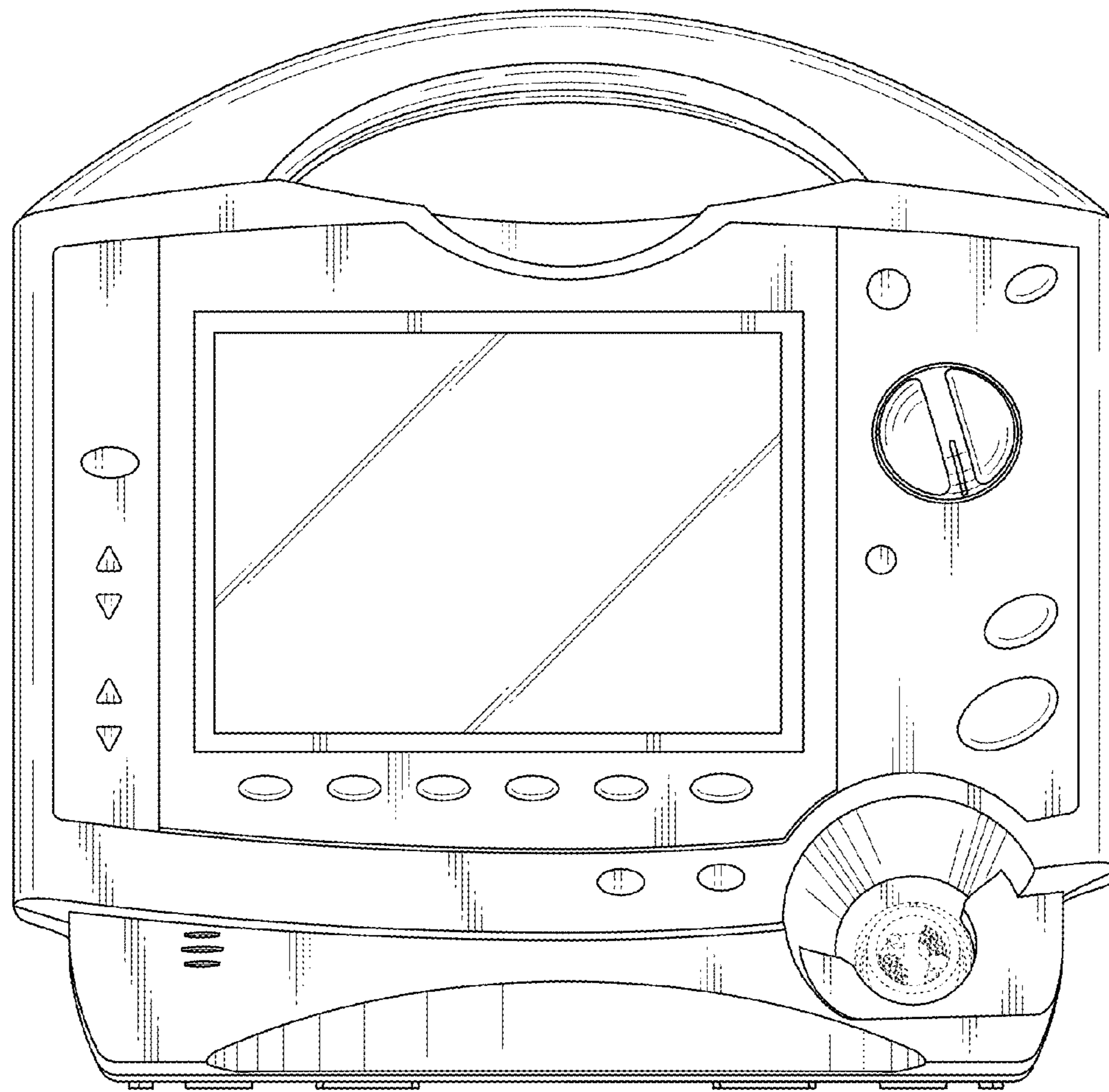


Fig. 3

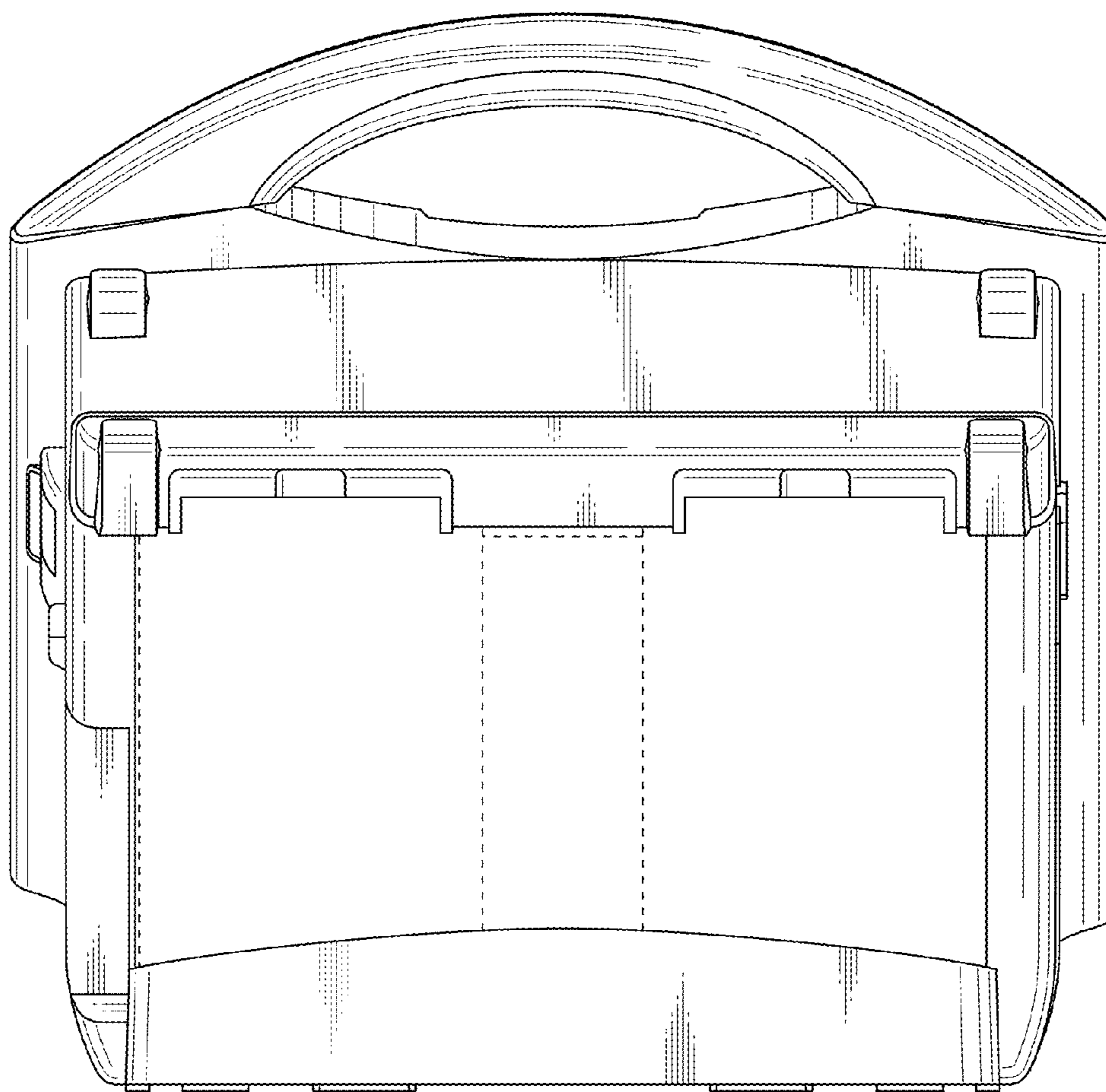


Fig. 4

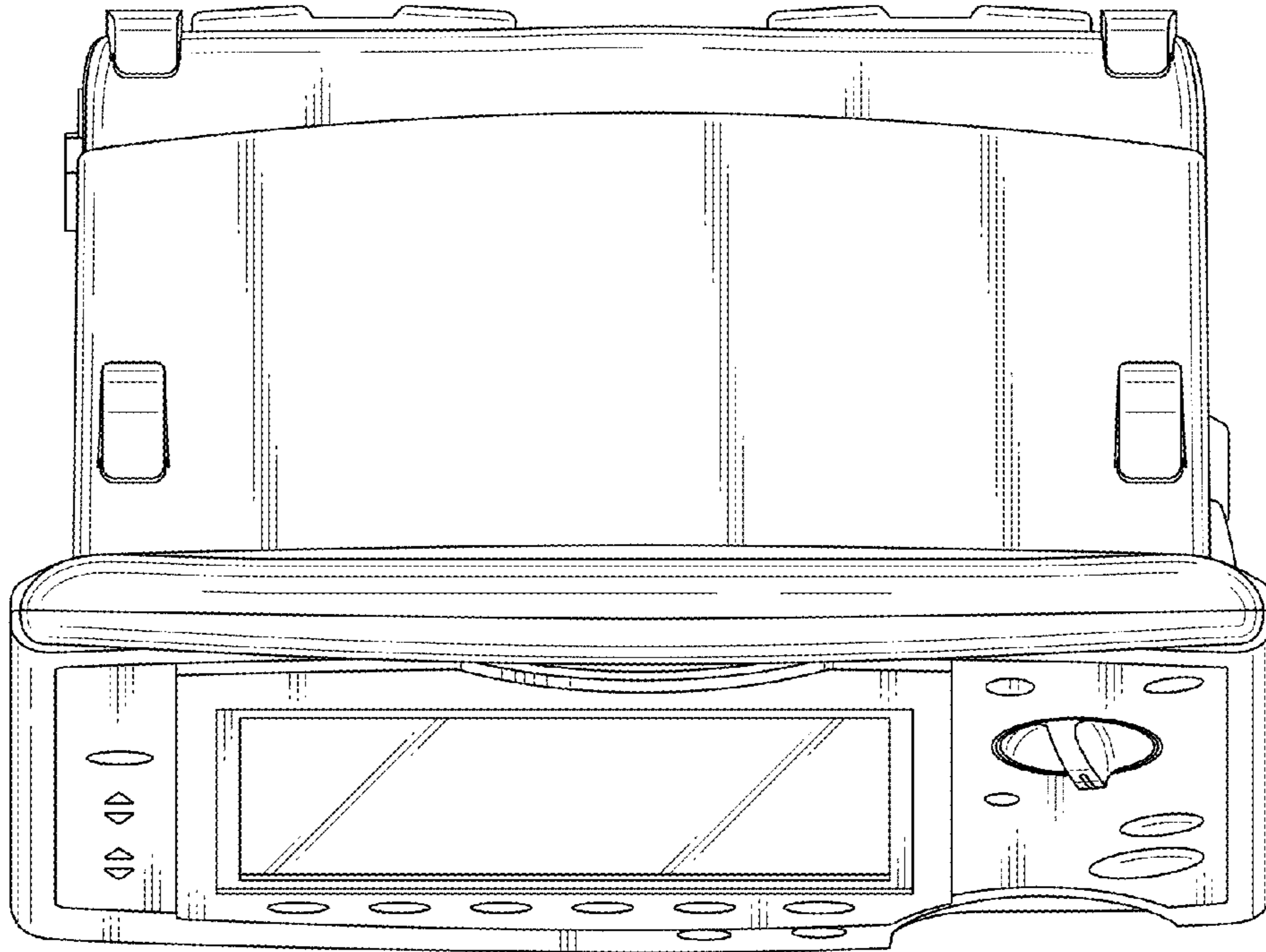


Fig. 5

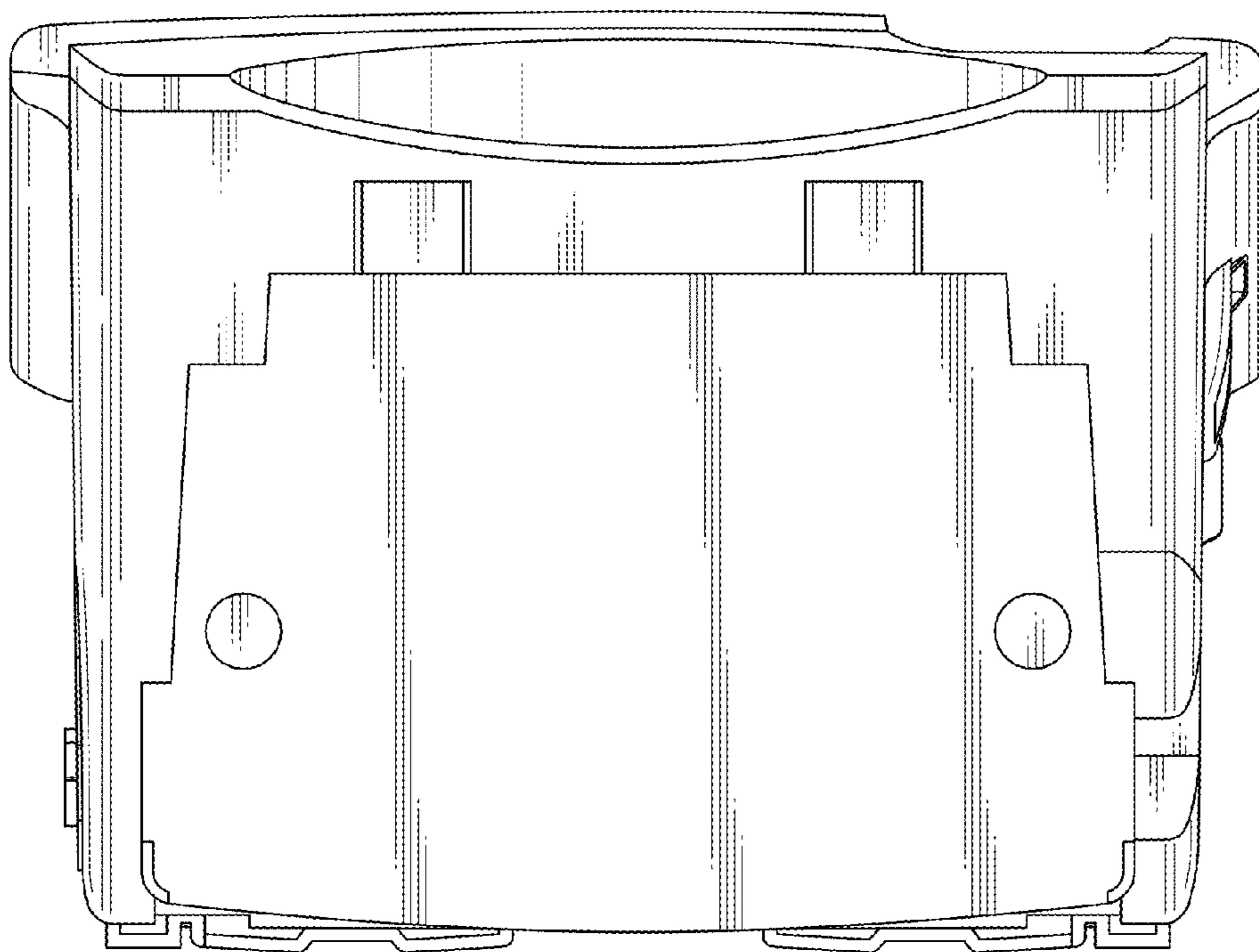


Fig. 6

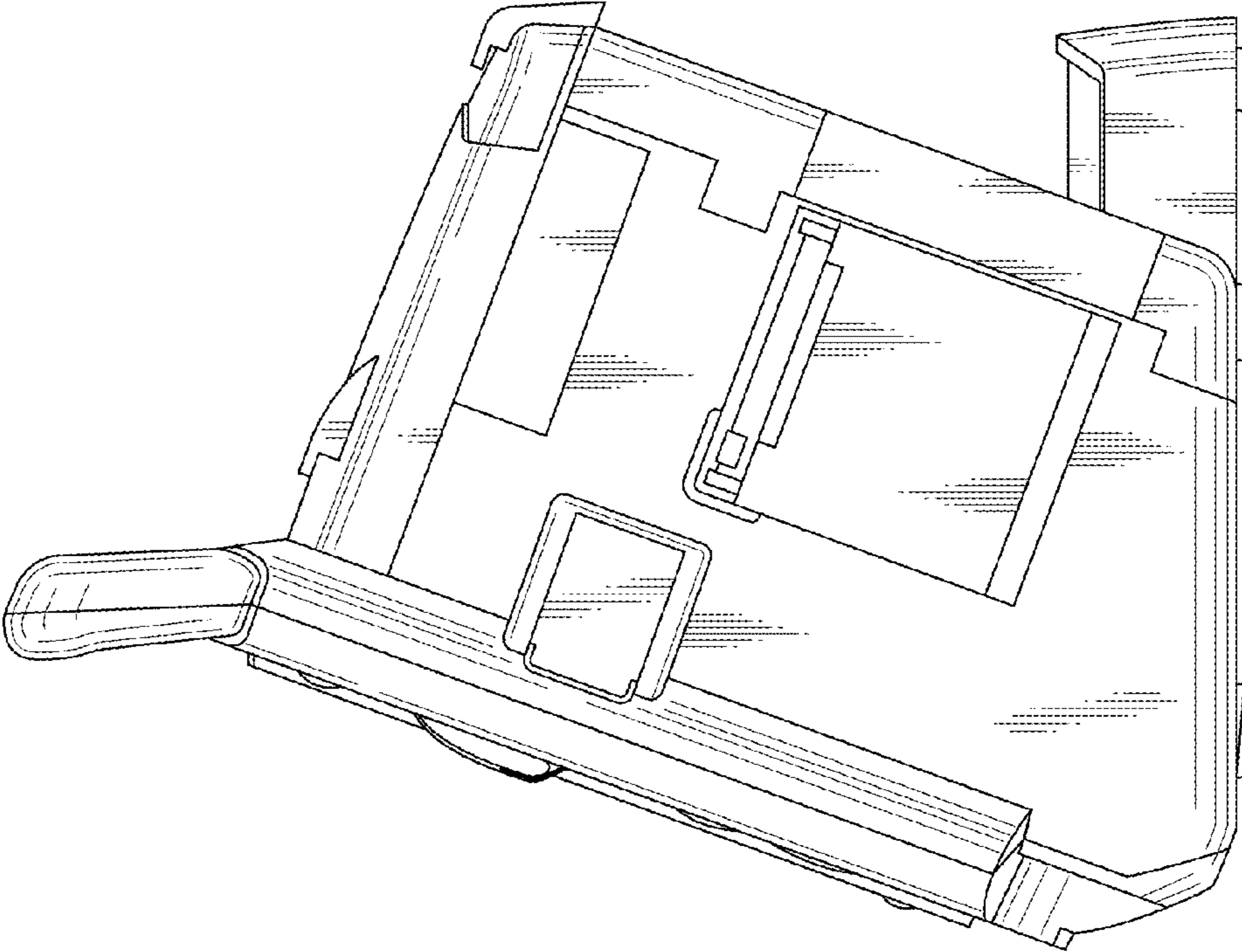
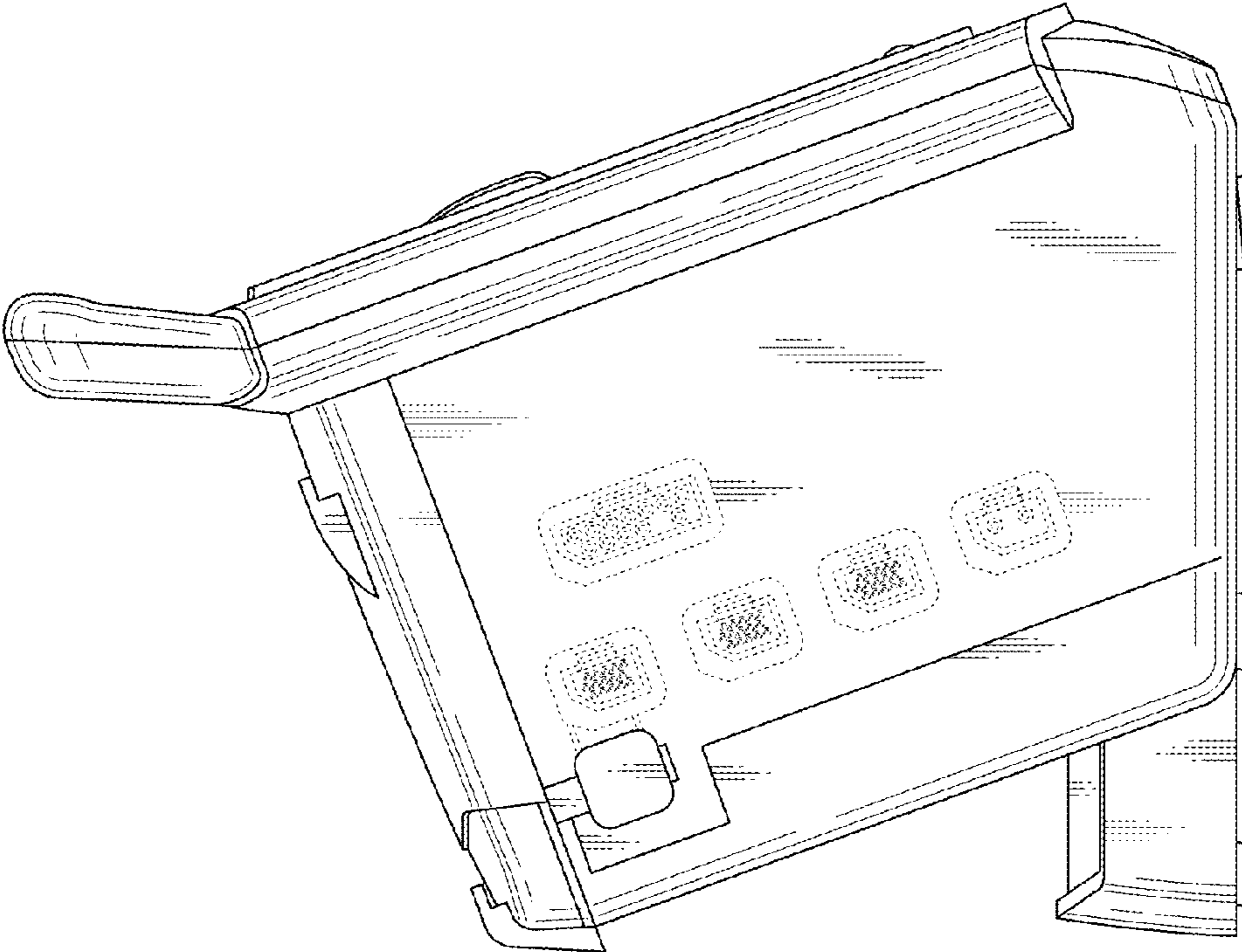


Fig. 7



UNITED STATES PATENT AND TRADEMARK OFFICE
CERTIFICATE OF CORRECTION

PATENT NO. : D693,006 S
APPLICATION NO. : 29/432437
DATED : November 5, 2013
INVENTOR(S) : Takaya Arimitsu et al.

Page 1 of 1

It is certified that error appears in the above-identified patent and that said Letters Patent is hereby corrected as shown below:

On the title page under description item (57)

- On the title page, Description: Figure 7, line 2, the word “include” should read -- includedd --.

Signed and Sealed this
Twenty-seventh Day of May, 2014



Michelle K. Lee
Deputy Director of the United States Patent and Trademark Office