



US00D693005S

(12) **United States Design Patent**
Nawata et al.

(10) **Patent No.:** **US D693,005 S**

(45) **Date of Patent:** **** Nov. 5, 2013**

(54) **OXYGEN CONCENTRATING APPARATUS**

FOREIGN PATENT DOCUMENTS

(71) Applicant: **Teijin Pharma Limited**, Tokyo (JP)
(72) Inventors: **Hideo Nawata**, Iwakuni (JP); **Hisashi Kiriake**, Iwakuni (JP); **Seiji Masumura**, Iwakuni (JP)

JP D1096642 S 1/2001
JP D1154513 S 9/2002
JP D1154786 S 9/2002
JP D1167851 S 3/2003
JP D1319419 S 1/2008
JP D1451754 S 9/2012

(73) Assignee: **Teijin Pharma Limited**, Tokyo (JP)

OTHER PUBLICATIONS

(**) Term: **14 Years**

<http://www.teijin.com/products/healthcare/>.*
http://82203966.en.ec21.com/Oxygen_Concentrator--6111125_6130881.html.*

(21) Appl. No.: **29/449,896**

* cited by examiner

(22) Filed: **Mar. 15, 2013**

(30) **Foreign Application Priority Data**

Primary Examiner — Robert M Spear

Assistant Examiner — Rhea Shields

Sep. 27, 2012 (JP) 2012-023522

(74) *Attorney, Agent, or Firm* — Sughrue Mion, PLLC

(51) **LOC (9) Cl.** **24-00**

(52) **U.S. Cl.**
USPC **D24/164**

(57) **CLAIM**

The ornamental design for an oxygen concentrating apparatus, as shown and described.

(58) **Field of Classification Search**
USPC D24/170, 187, 142, 164, 110.5, 186,
D24/110, 232, 169, 168, 163, 165, 216,
D24/231; 600/538, 529, 532; 128/204.18,
128/205.24; 73/23.3, 861.52; 422/84;
D10/78, 96; D14/218

DESCRIPTION

See application file for complete search history.

FIG. 1 is a perspective view of an oxygen concentrating apparatus showing our new design;
FIG. 2 is a front elevational view thereof;
FIG. 3 is a left elevational view thereof;
FIG. 4 is a right side elevational view thereof;
FIG. 5 is a rear side elevational view thereof;
FIG. 6 is a top plan view thereof; and,
FIG. 7 is a bottom plan view thereof.
The broken lines in FIGS. 1 to 7 are included for the purposes of illustrating portions of the oxygen concentrating apparatus that form no part of the claimed design.

(56) **References Cited**

U.S. PATENT DOCUMENTS

D490,155 S * 5/2004 Nakamura D24/164
D513,074 S * 12/2005 Nakamura et al. D24/164
D528,212 S * 9/2006 Conway et al. D24/164
D604,417 S * 11/2009 Fujimoto et al. D24/164
D606,655 S * 12/2009 Wilkinson et al. D24/164
D666,724 S * 9/2012 Wilhelm D24/164
2012/0291884 A1 * 11/2012 Yamaura et al. 137/455

1 Claim, 5 Drawing Sheets

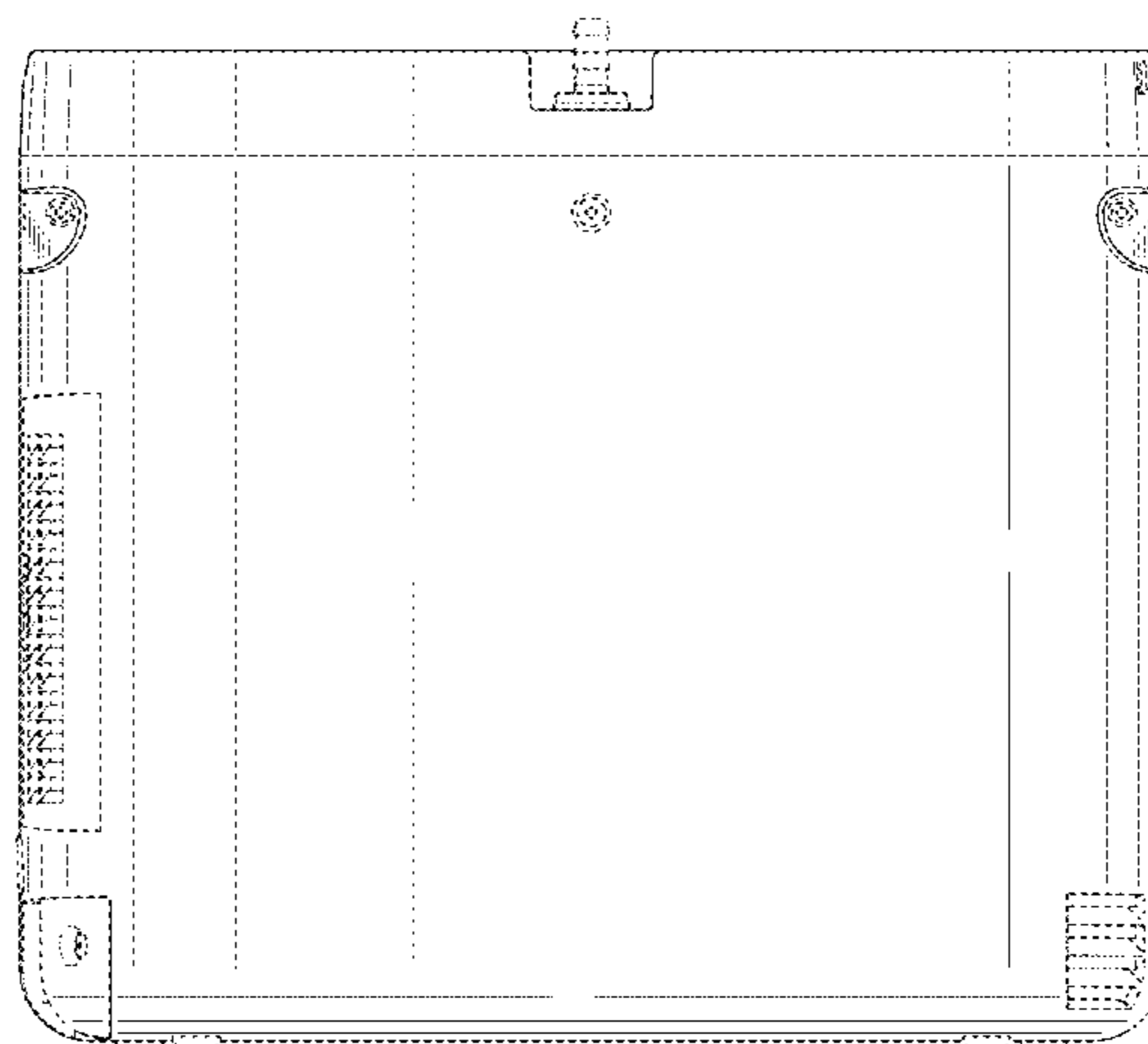
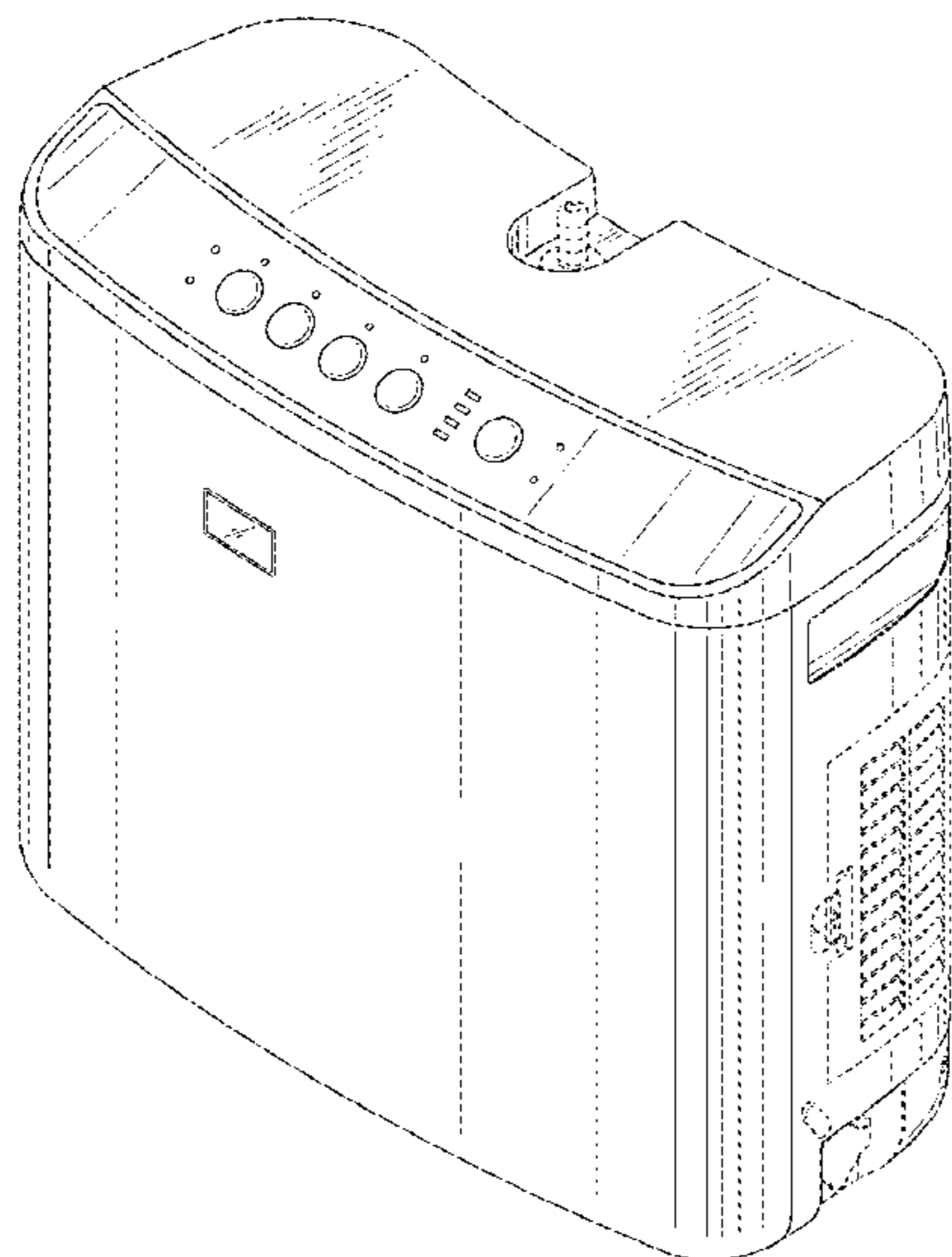


FIG. 1

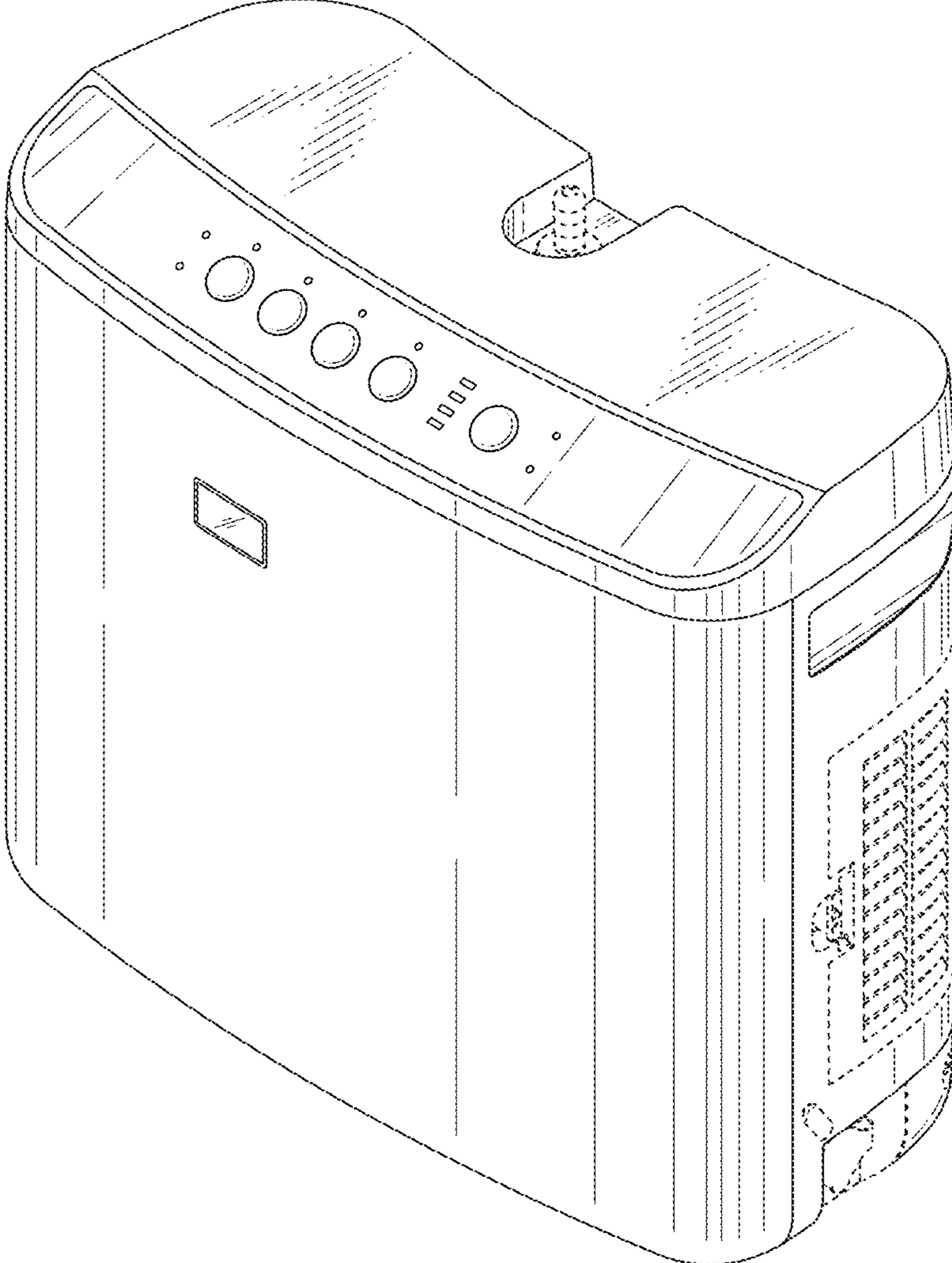


FIG. 2

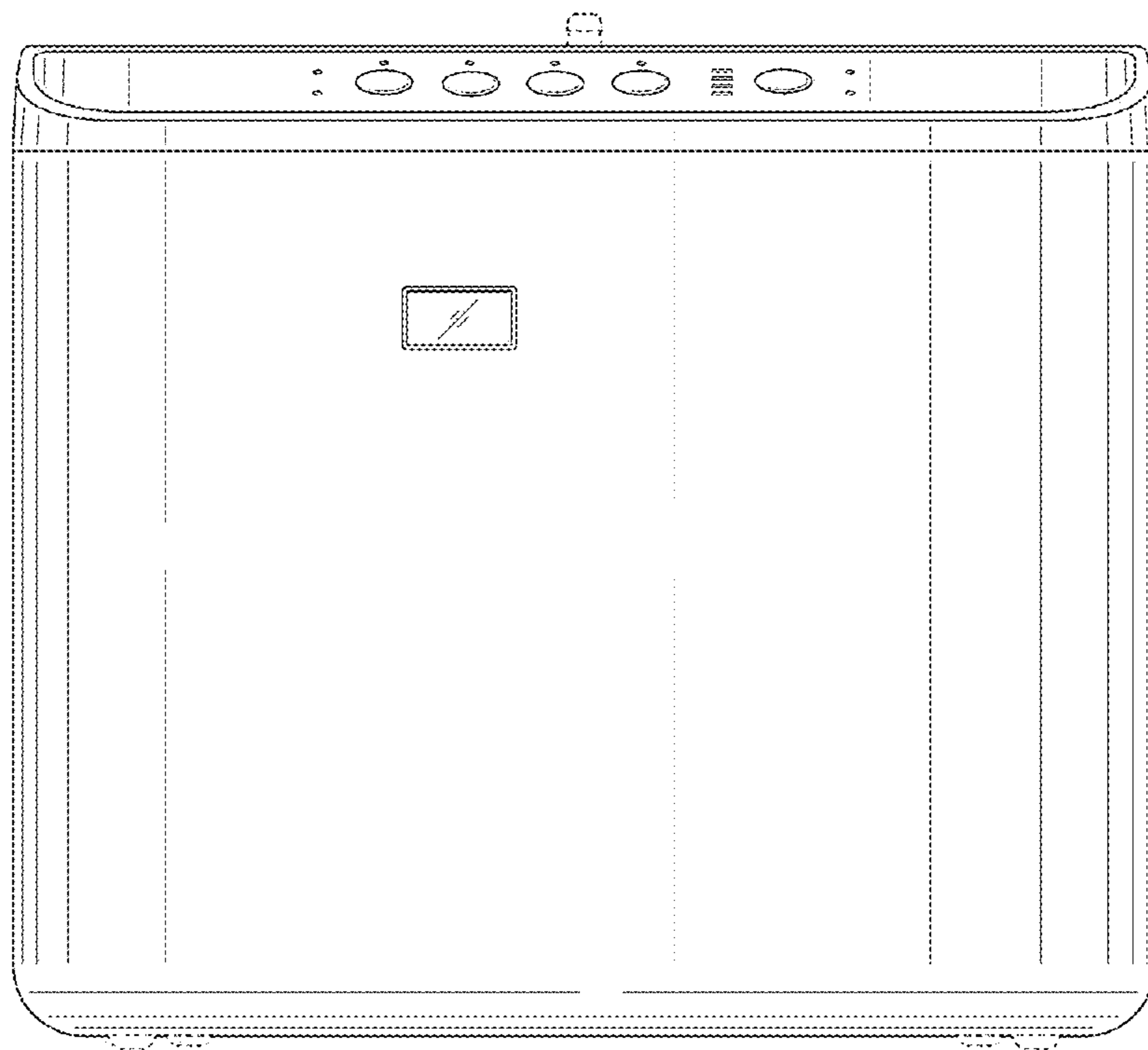


FIG. 3

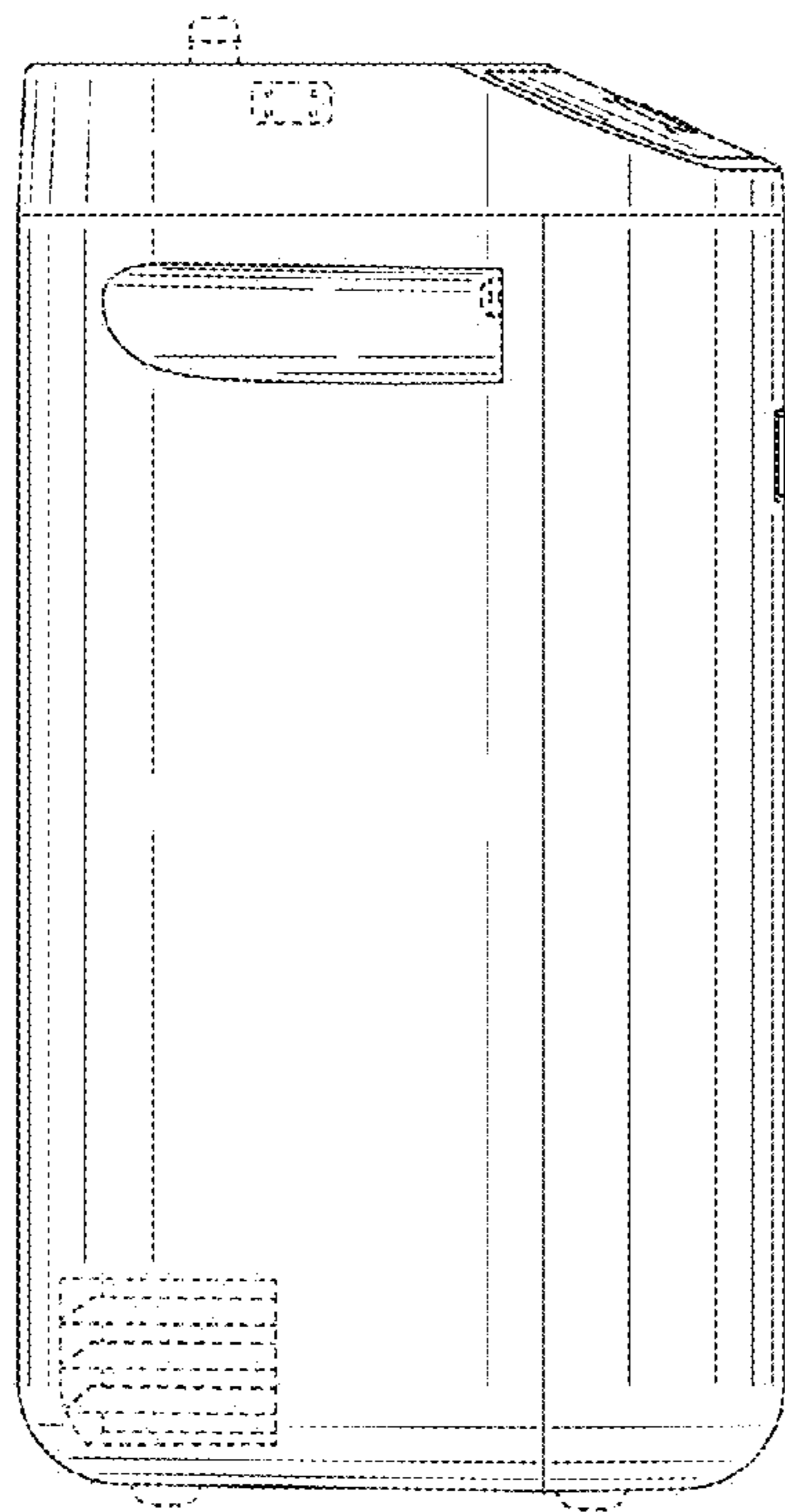


FIG. 4

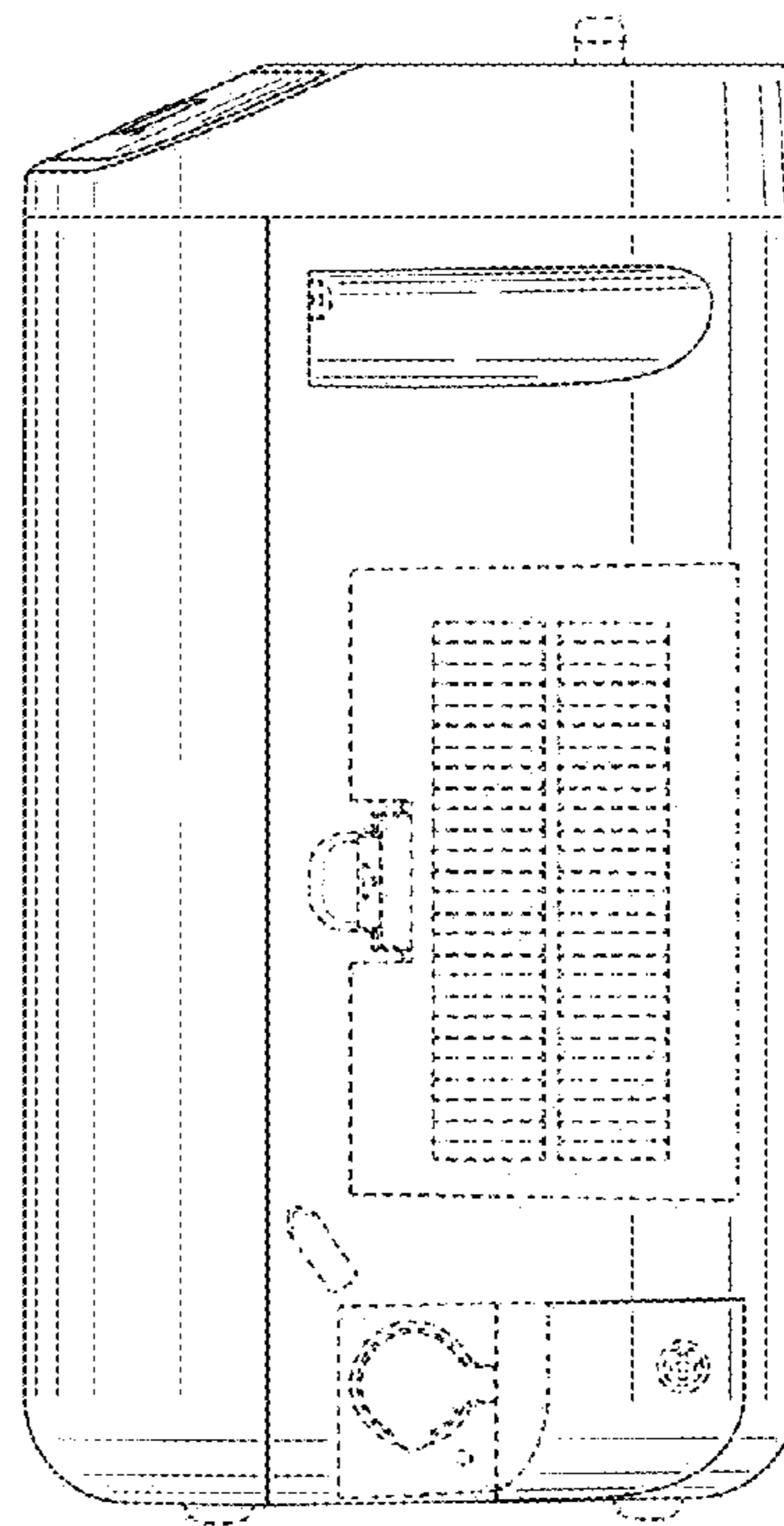


FIG. 5

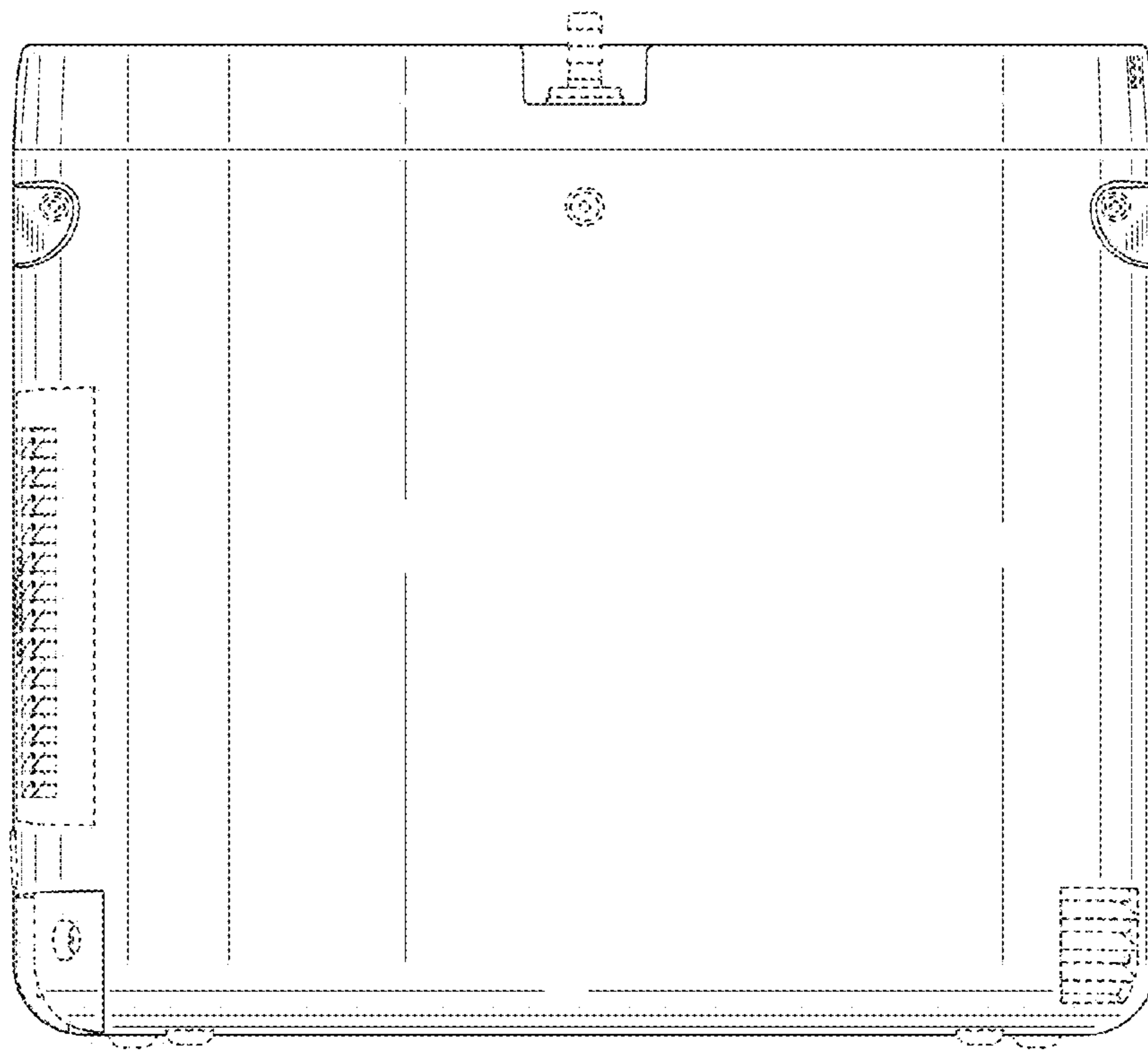


FIG. 6

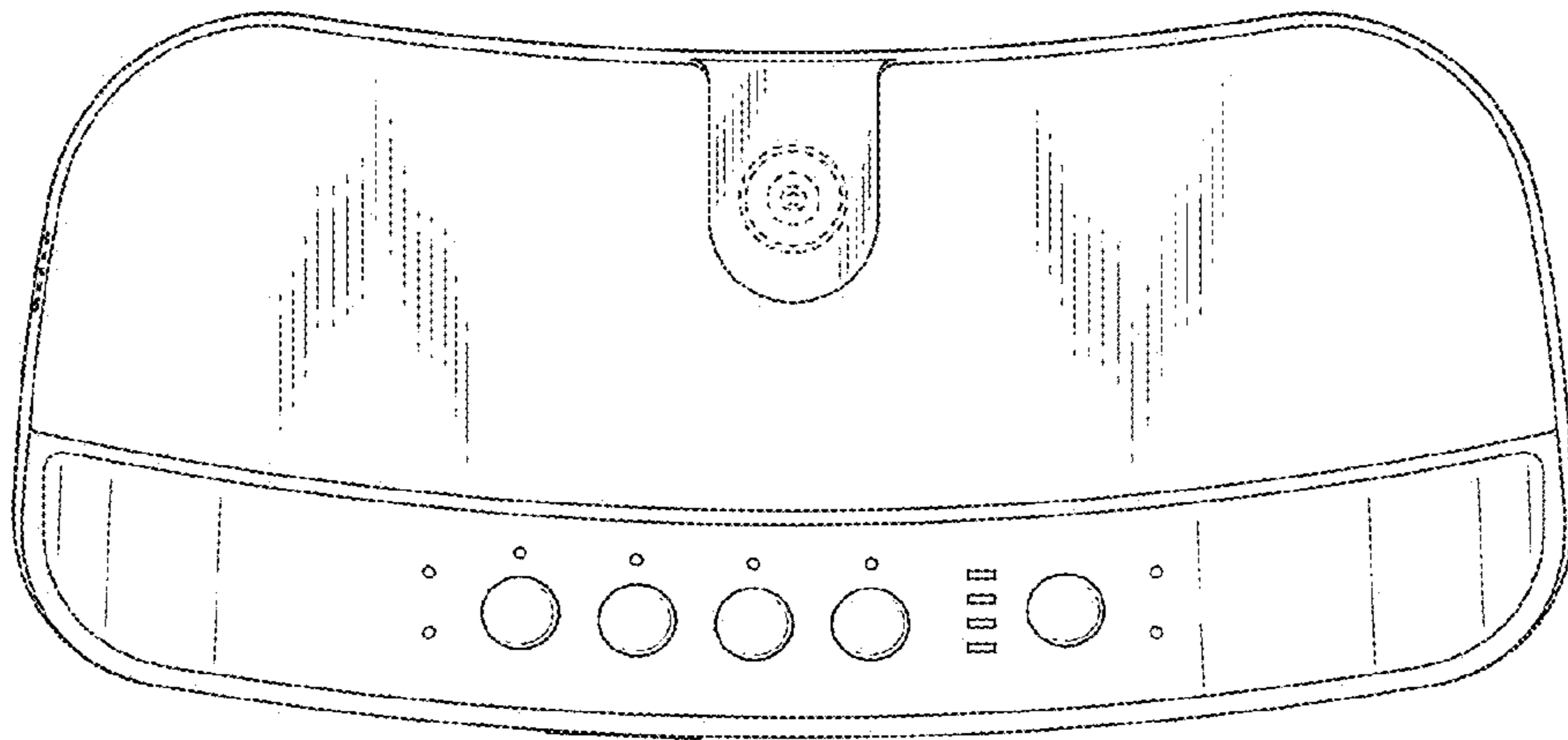


FIG. 7

