



US00D693004S

(12) **United States Design Patent**  
**Larsen et al.**

(10) **Patent No.:** **US D693,004 S**  
(45) **Date of Patent:** **\*\* Nov. 5, 2013**

(54) **MOUTHPIECE FOR MEDICAL DEVICE**

(71) Applicant: **Aerocrine AB**, Solna (SE)

(72) Inventors: **Per Larsen**, Lidingo (SE); **Hans Peter Starck-Johnson**, Stockholm (SE); **Elisabeth Ramel-Wahrberg**, Taby (SE); **Heesung Kim**, Stockholm (SE); **David Crafoord**, Bromma (SE); **Kristian Eke**, Stockholm (SE)

(73) Assignee: **Aerocrine AB**, Solna (SE)

(\*\*) Term: **14 Years**

(21) Appl. No.: **29/439,674**

(22) Filed: **Dec. 13, 2012**

(30) **Foreign Application Priority Data**

Jun. 14, 2012 (EM) ..... 002057976

(51) **LOC (9) Cl.** ..... **24-00**

(52) **U.S. Cl.**  
USPC ..... **D24/164**

(58) **Field of Classification Search**  
USPC ..... D24/107, 170, 187, 142, 164, 110.5,  
D24/186, 110, 232, 169, 168, 163, 165, 216,  
D24/231; 600/538, 529, 532; 128/204.18,  
128/205.24; 73/23.3, 861.52; 422/84;  
D10/78, 96; D14/218, 371; D8/315

See application file for complete search history.

(56) **References Cited**

U.S. PATENT DOCUMENTS

D274,263	S	*	6/1984	Duffy	.....	D24/142
D398,060	S	*	9/1998	Brown	.....	D24/164
D511,210	S	*	11/2005	Cardona Burrull	.....	D24/110.5
D624,543	S	*	9/2010	Kettula	.....	D14/388
D642,690	S	*	8/2011	Altmann et al.	.....	D24/186
2008/0028734	A1	*	2/2008	McClain	.....	55/495
2012/0053482	A1	*	3/2012	Addington et al.	.....	600/538

OTHER PUBLICATIONS

<http://www.lumed.com/en/disposable-accessories/BV-filters-for-spirometry/>.\*  
<http://qubitsystems.com/human/s184-spirometer/>.\*

\* cited by examiner

*Primary Examiner* — Robert M Spear  
*Assistant Examiner* — Rhea Shields

(74) *Attorney, Agent, or Firm* — Renner, Otto, Boisselle & Sklar, LLP

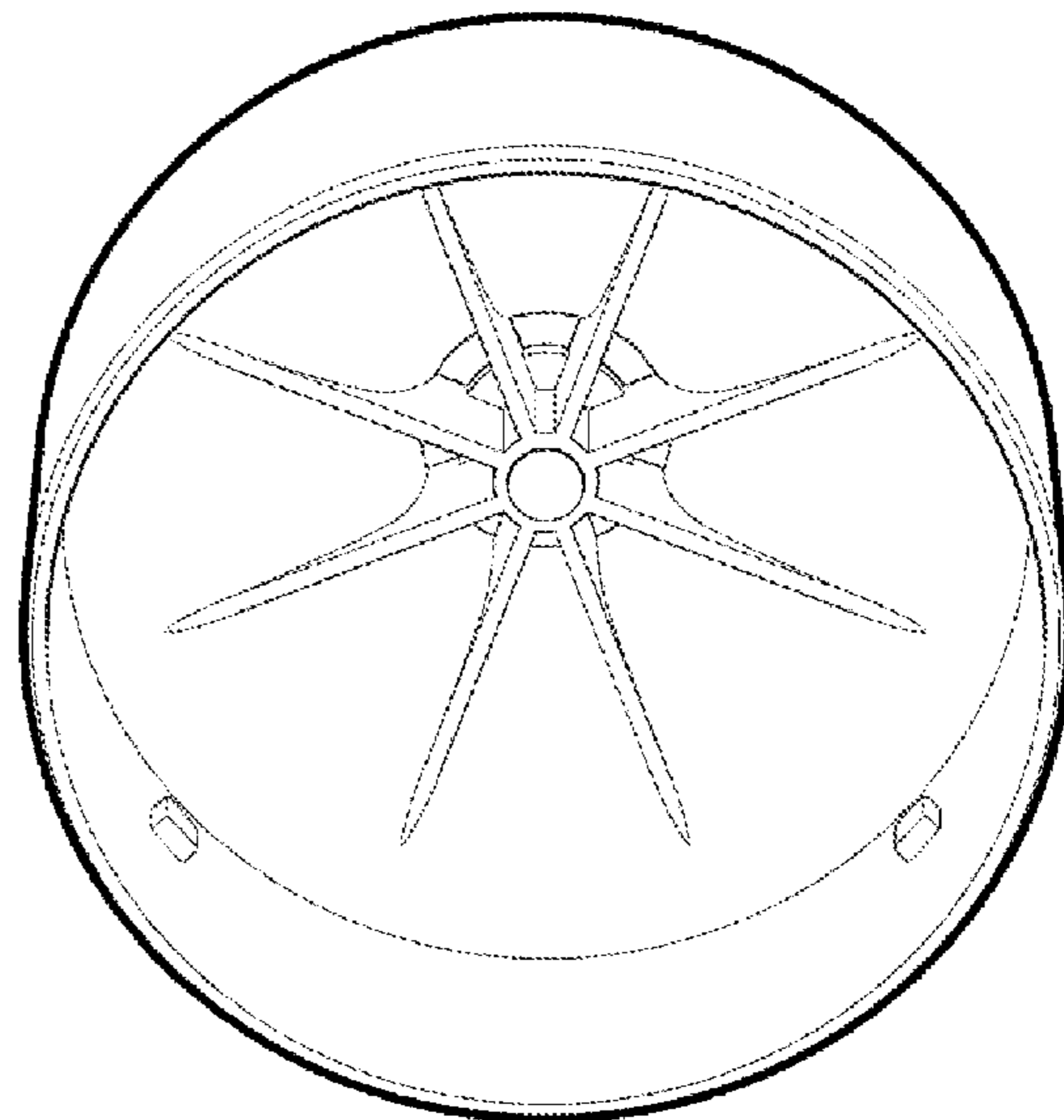
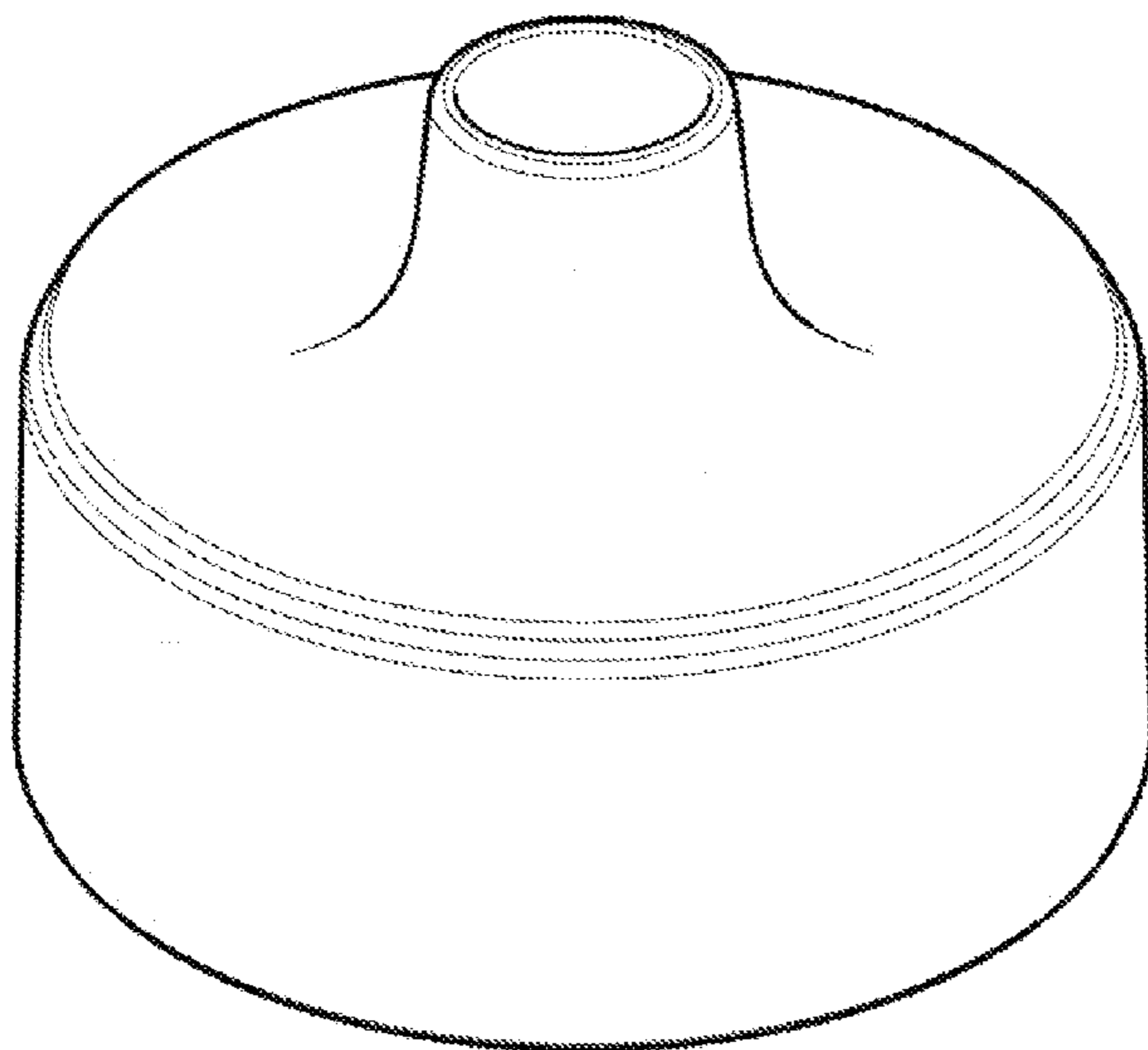
(57) **CLAIM**

The ornamental design for a mouthpiece for medical device, as shown and described.

**DESCRIPTION**

FIG. 1 is a perspective of a mouthpiece for medical device showing the new design.  
FIG. 2 is bottom perspective view thereof.  
FIG. 3 is a bottom view thereof.  
FIG. 4 is a top view thereof; and,  
FIG. 5 is a side view thereof.  
The broken lines in the figures illustrate unclaimed environment only and form no part of the claimed design.

**1 Claim, 3 Drawing Sheets**



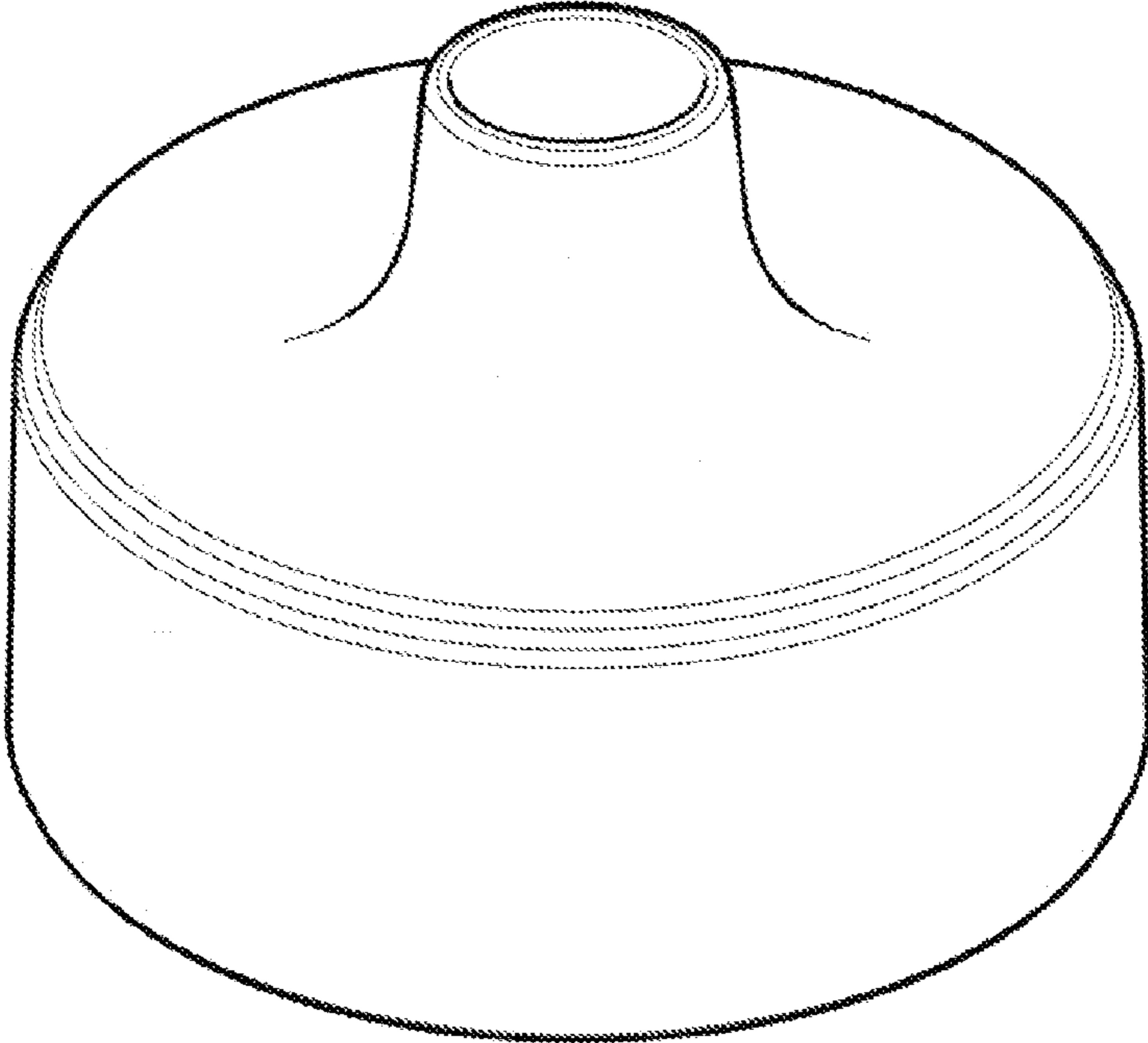


FIG. 1

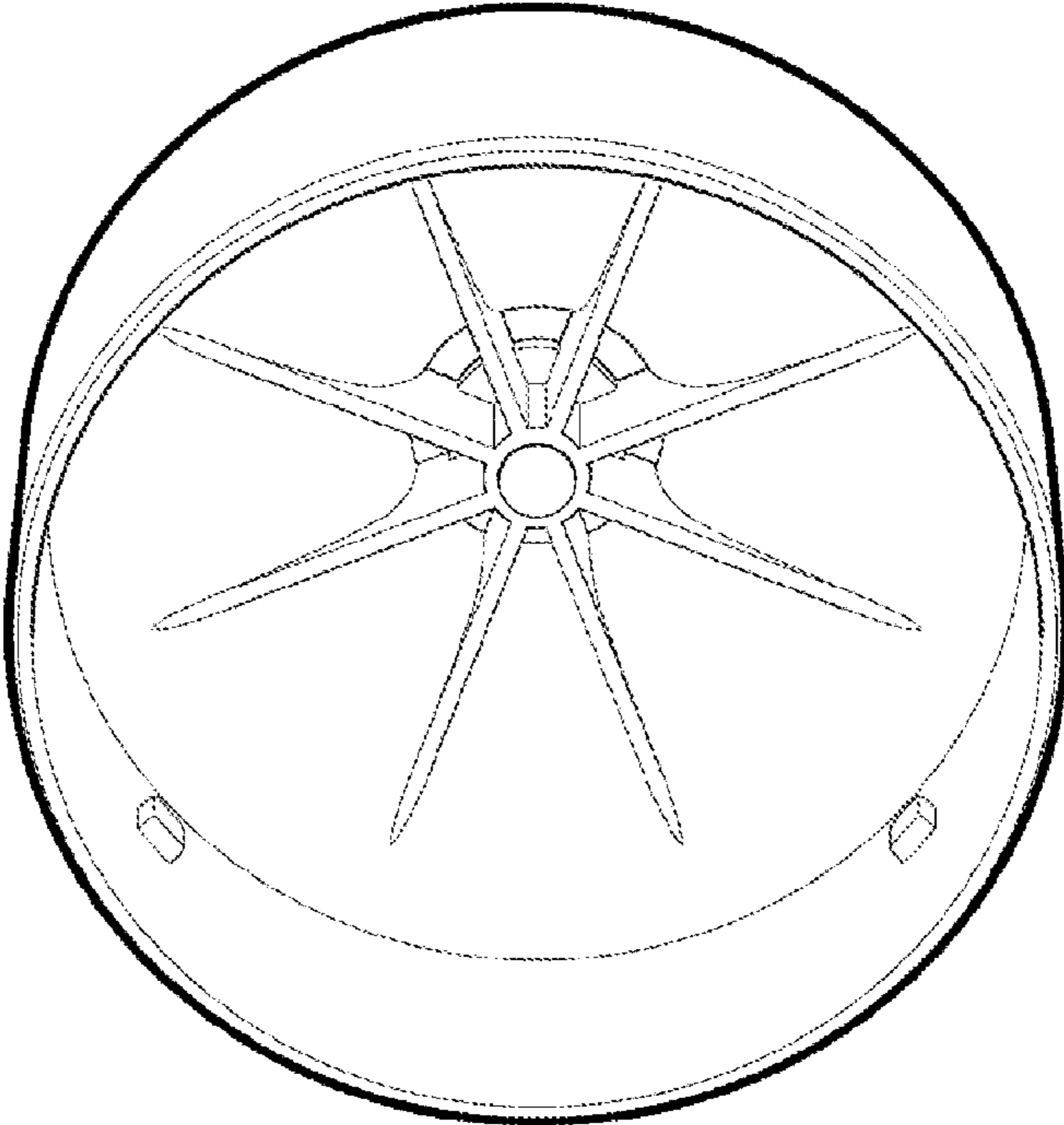


FIG. 2

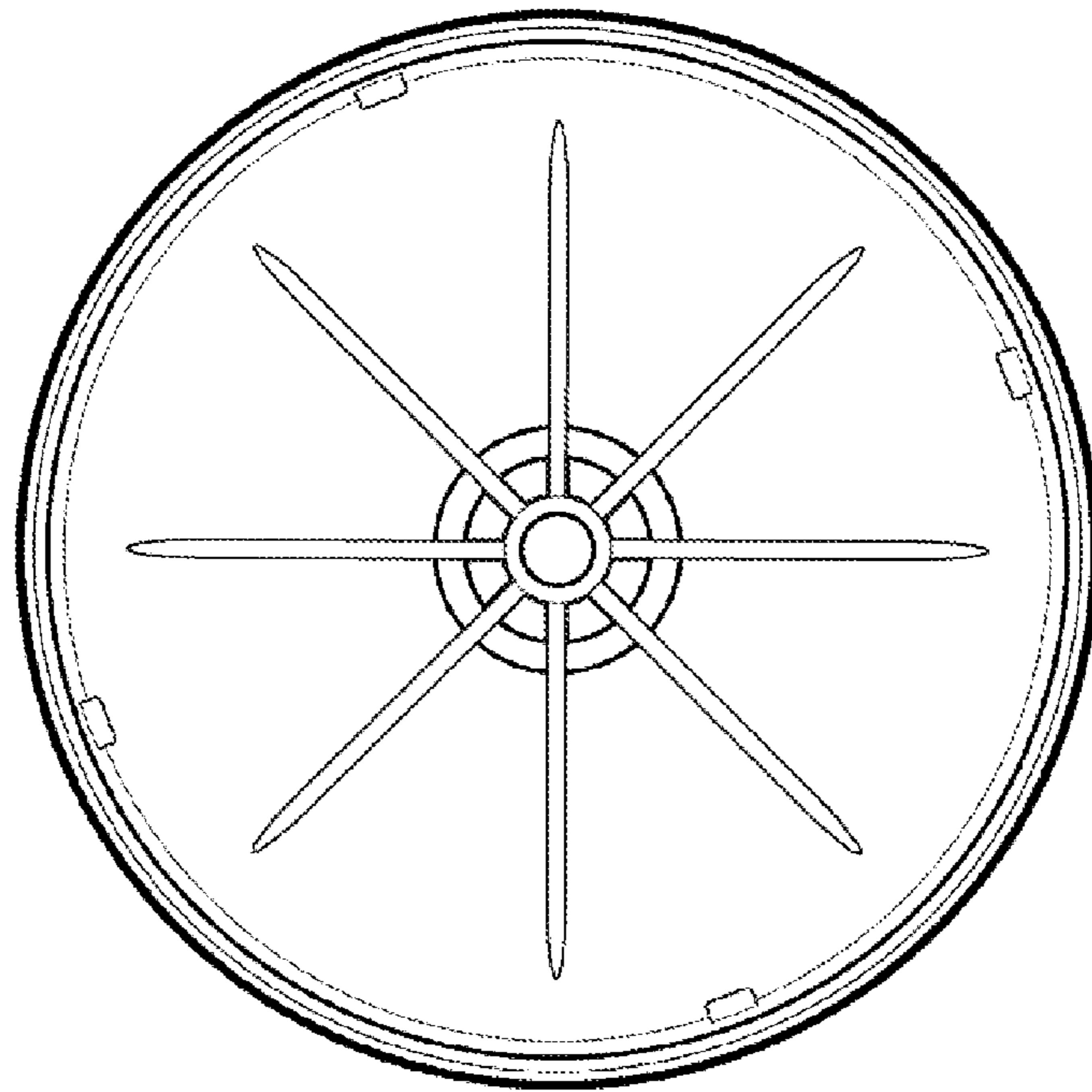


FIG. 3

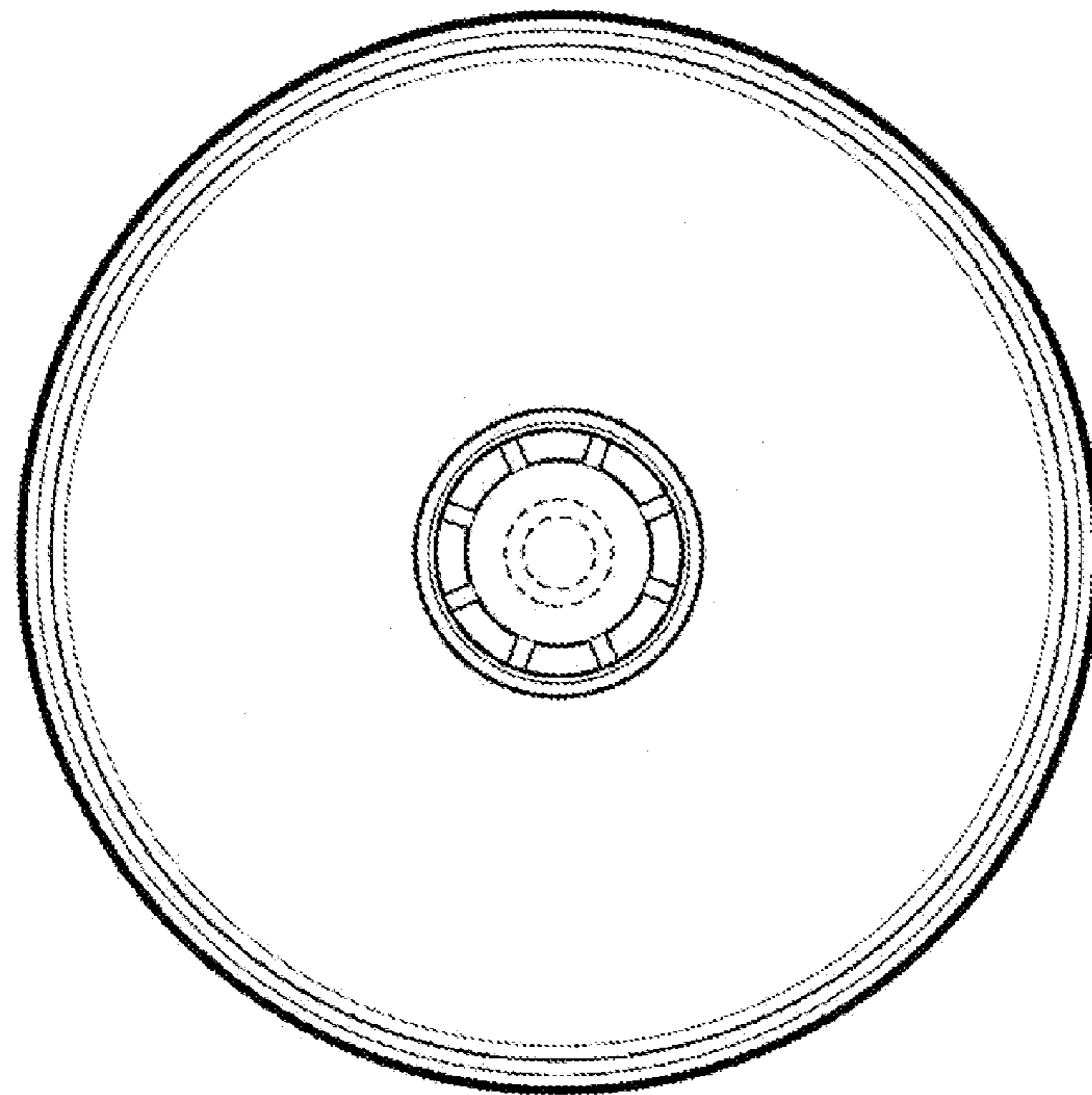


FIG. 4

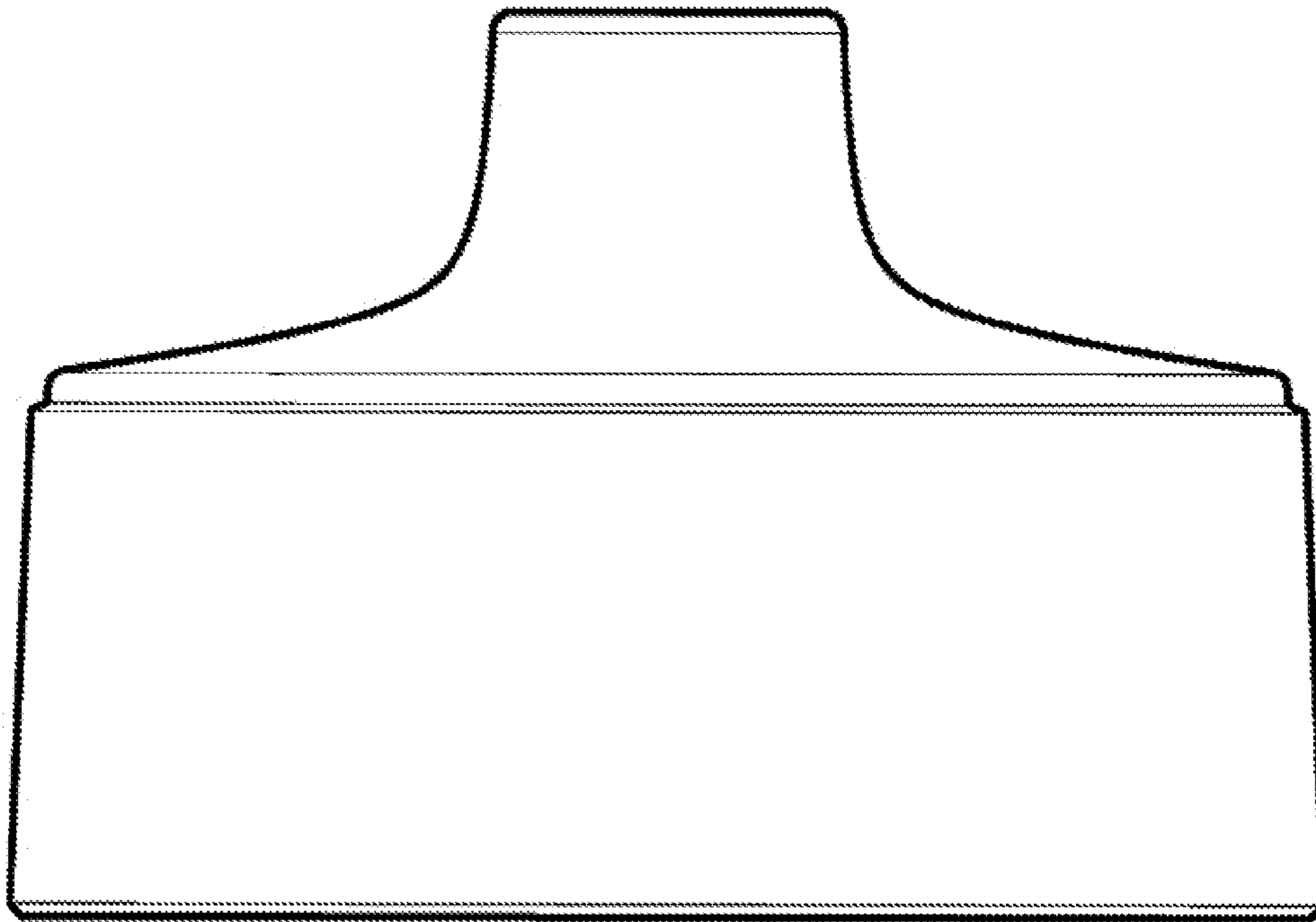


FIG. 5