



US00D693003S

(12) **United States Design Patent**  
**Wang**

(10) **Patent No.:** **US D693,003 S**

(45) **Date of Patent:** **\*\* Nov. 5, 2013**

(54) **SAFETY PROTECTIVE SHEATH FOR BUTTERFLY NEEDLE ASSEMBLY**

(76) Inventor: **Hsien Tsung Wang**, Taipei (TW)

(\*\*) Term: **14 Years**

(21) Appl. No.: **29/422,669**

(22) Filed: **May 23, 2012**

(51) **LOC (9) Cl.** ..... **24-02**

(52) **U.S. Cl.**  
USPC ..... **D24/130**

(58) **Field of Classification Search**

USPC ..... D24/127-131, 112-114, 133, 186;  
606/181, 185; 604/110, 177, 264, 272,  
604/115, 232, 187, 158, 164.08, 192, 263,  
604/163, 181, 184, 198, 227; 600/101, 139,  
600/143; 128/200.24, 207.14, 207.15

See application file for complete search history.

(56) **References Cited**

**U.S. PATENT DOCUMENTS**

5,279,588	A *	1/1994	Nicoletti et al.	604/263
5,562,631	A *	10/1996	Bogert	604/263
D397,217	S *	8/1998	Brookfield	D24/130
D399,315	S *	10/1998	Fulk et al.	D24/114
5,827,239	A *	10/1998	Dillon et al.	604/263
5,858,004	A *	1/1999	Shields	604/177
7,303,545	B2 *	12/2007	Sarstedt	604/110
7,611,486	B2 *	11/2009	Jones et al.	604/110
D625,805	S *	10/2010	Hereford	D24/130
D642,261	S *	7/2011	York et al.	D24/130
8,016,796	B2 *	9/2011	Simas et al.	604/110
D679,391	S *	4/2013	Chinowsky et al.	D24/127

\* cited by examiner

Primary Examiner — David Muller

(57) **CLAIM**

The ornamental design for a safety protective sheath for butterfly needle assembly, as shown and described.

**DESCRIPTION**

FIG. 1 is a perspective view showing my new design for a safety protective sheath for butterfly needle assembly;

FIG. 2 is a front view thereof;

FIG. 3 is a rear view thereof;

FIG. 4 is a left view thereof;

FIG. 5 is a right view thereof;

FIG. 6 is a top view thereof;

FIG. 7 is a bottom view thereof;

FIG. 8 is a perspective view showing the safety protective sheath for butterfly needle assembly in ready use status, the broken line showing a butterfly needle assembly in FIG. 8 forms no part of the claimed design;

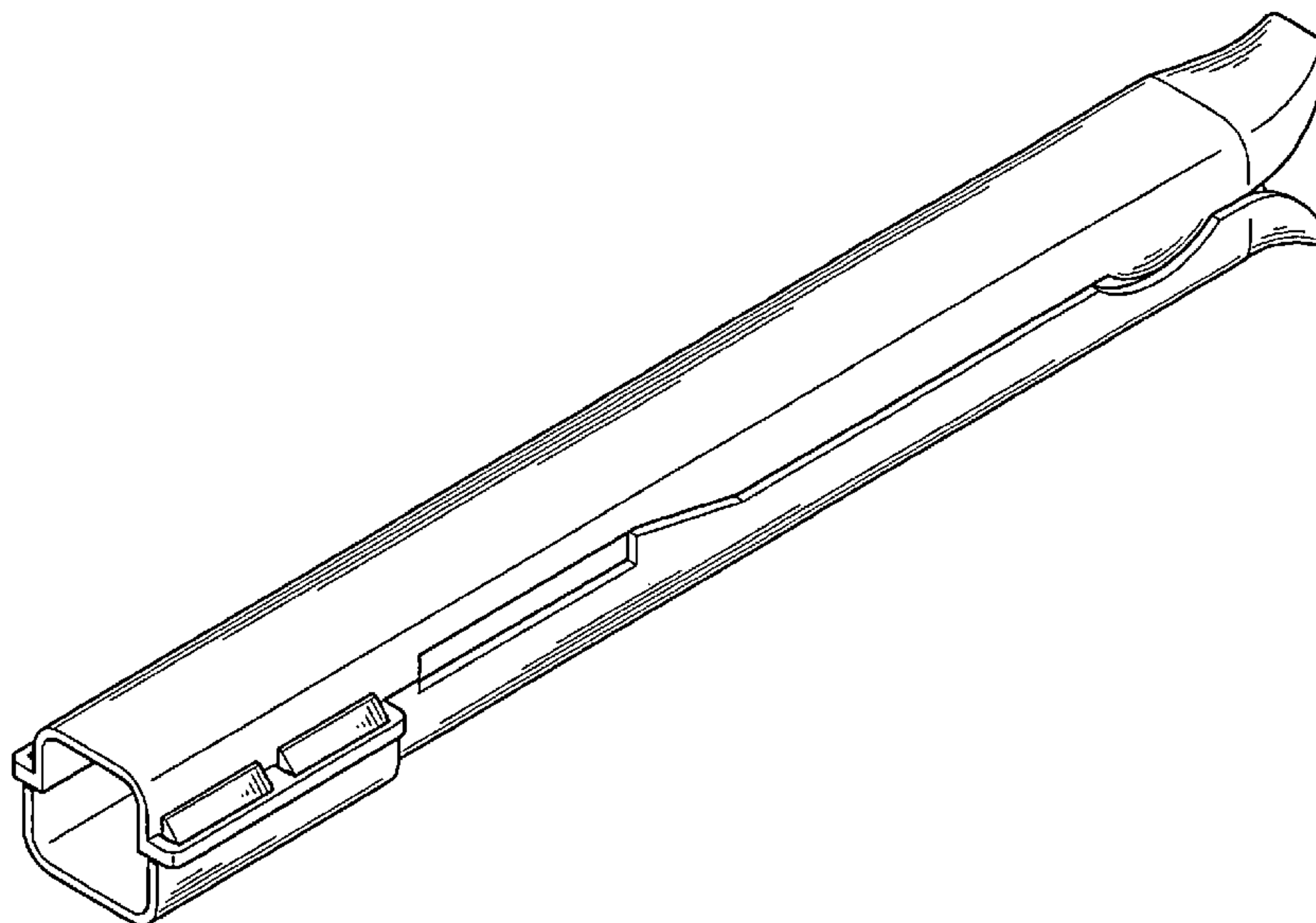
FIG. 9 is a perspective view showing the safety protective sheath for butterfly needle assembly in ready use for a blood needle system, the broken line showing of a butterfly needle assembly and the blood needle system in FIG. 9 forms no part of the claimed design;

FIG. 10 is a perspective view showing the safety protective sheath for butterfly needle assembly in ready use for an intravenous (IV) fluid flow control device, the broken line showing of a butterfly needle assembly and the intravenous fluid flow control device in FIG. 10 forms no part of the claimed design thereof; and,

FIG. 11 is a perspective view showing the safety protective sheath for butterfly needle assembly in locking status upon having completed operation, the broken line showing a butterfly needle assembly in FIG. 11 forms no part of the claimed design.

The portions of the butterfly needle assembly, the blood needle system and the intravenous fluid flow control device shown in broken lines form no part of the claimed design.

**1 Claim, 8 Drawing Sheets**



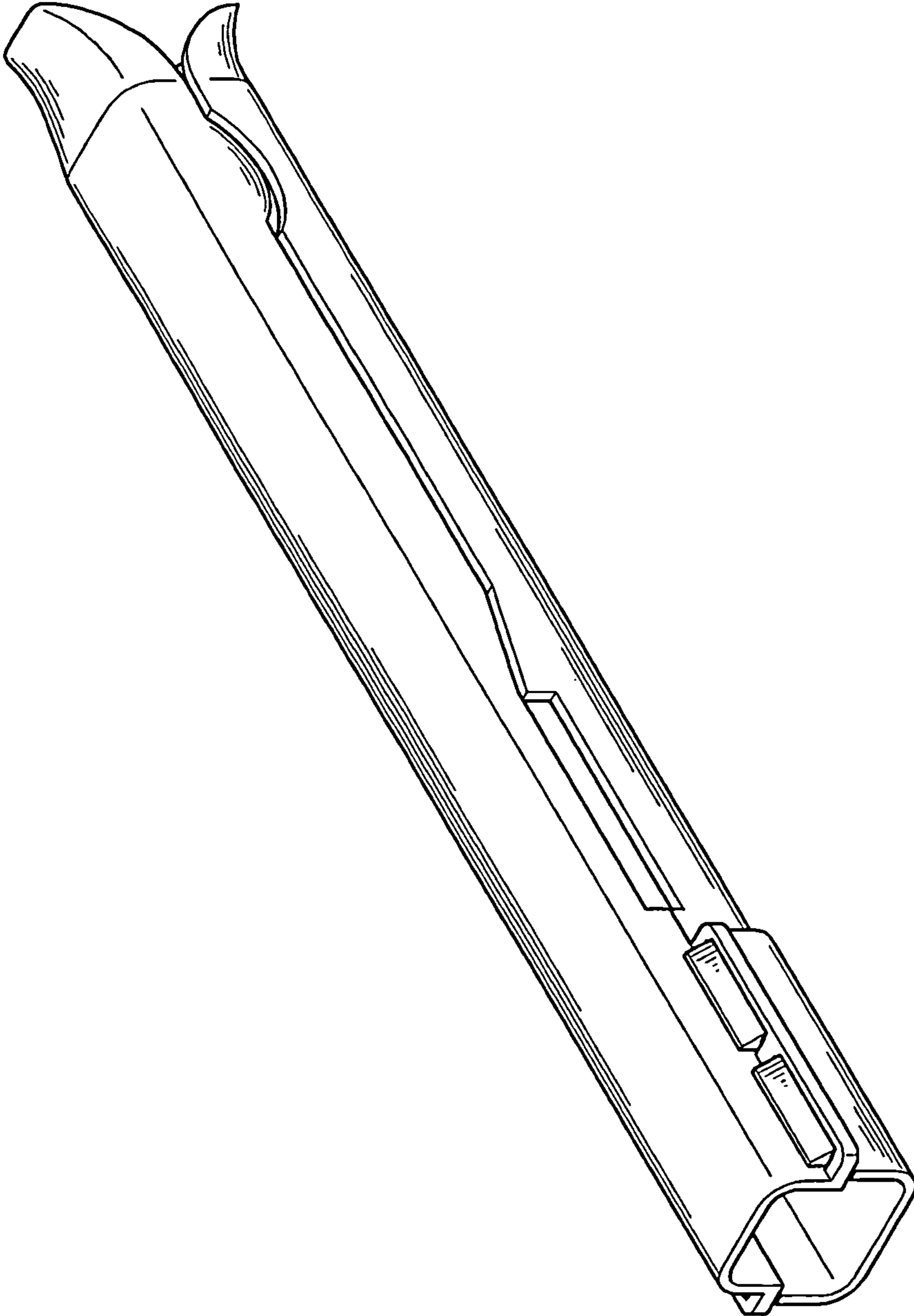


FIG.1

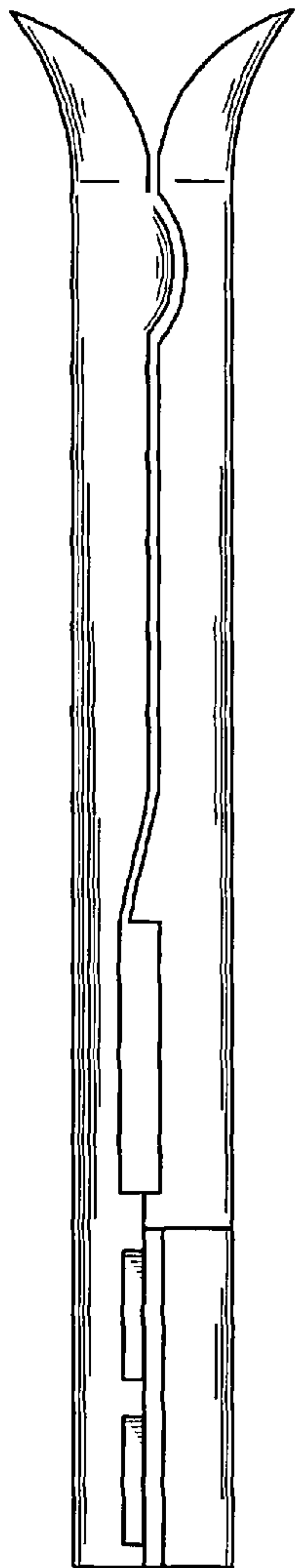


FIG. 2

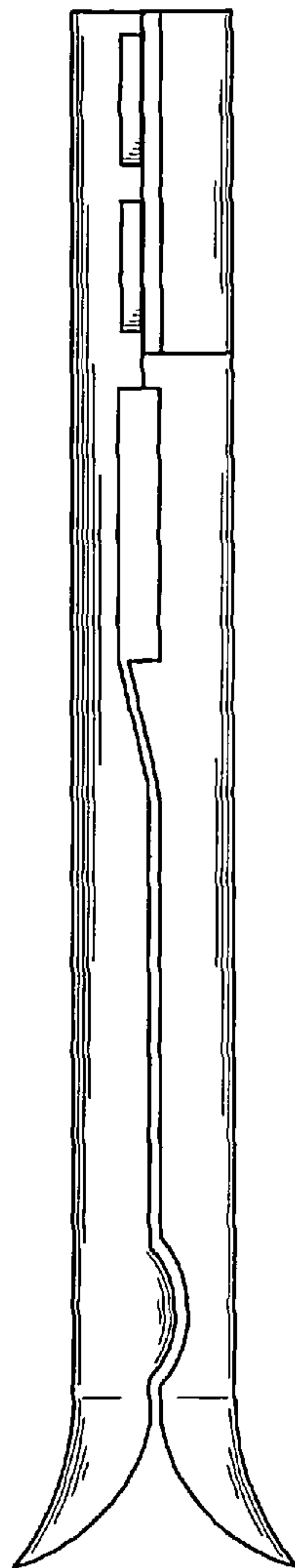


FIG. 3

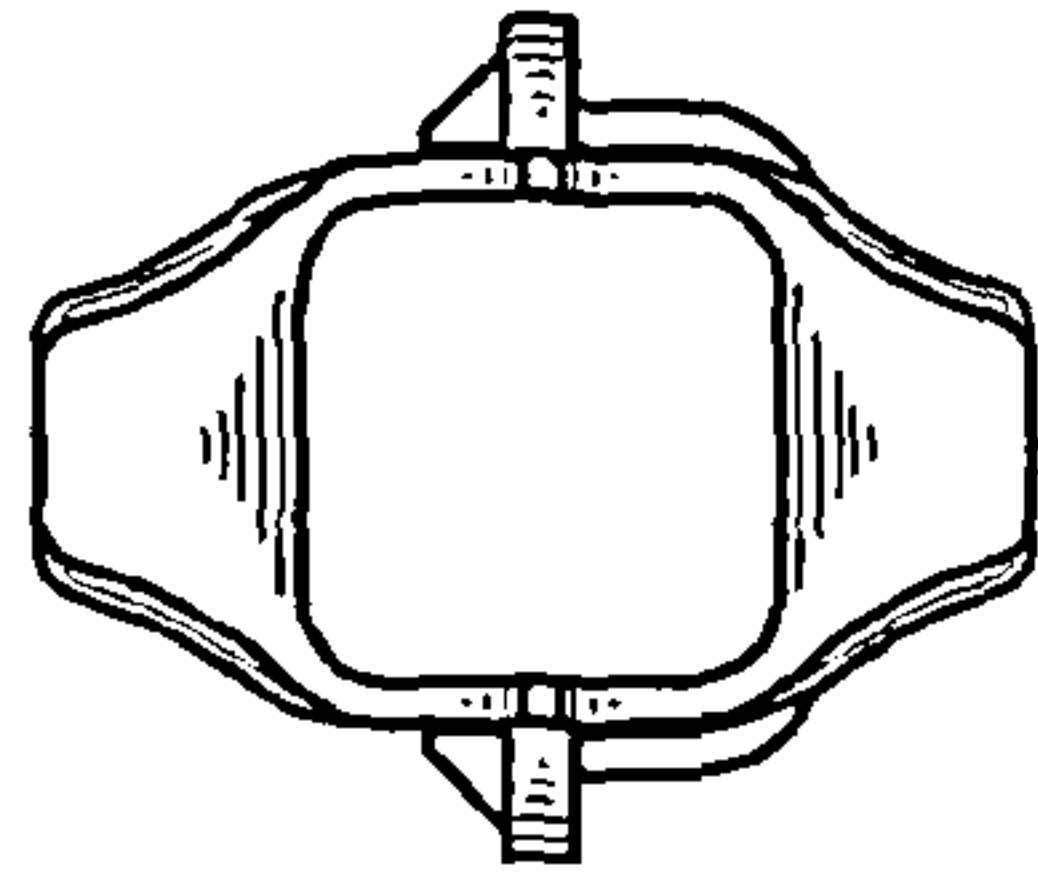


FIG. 5

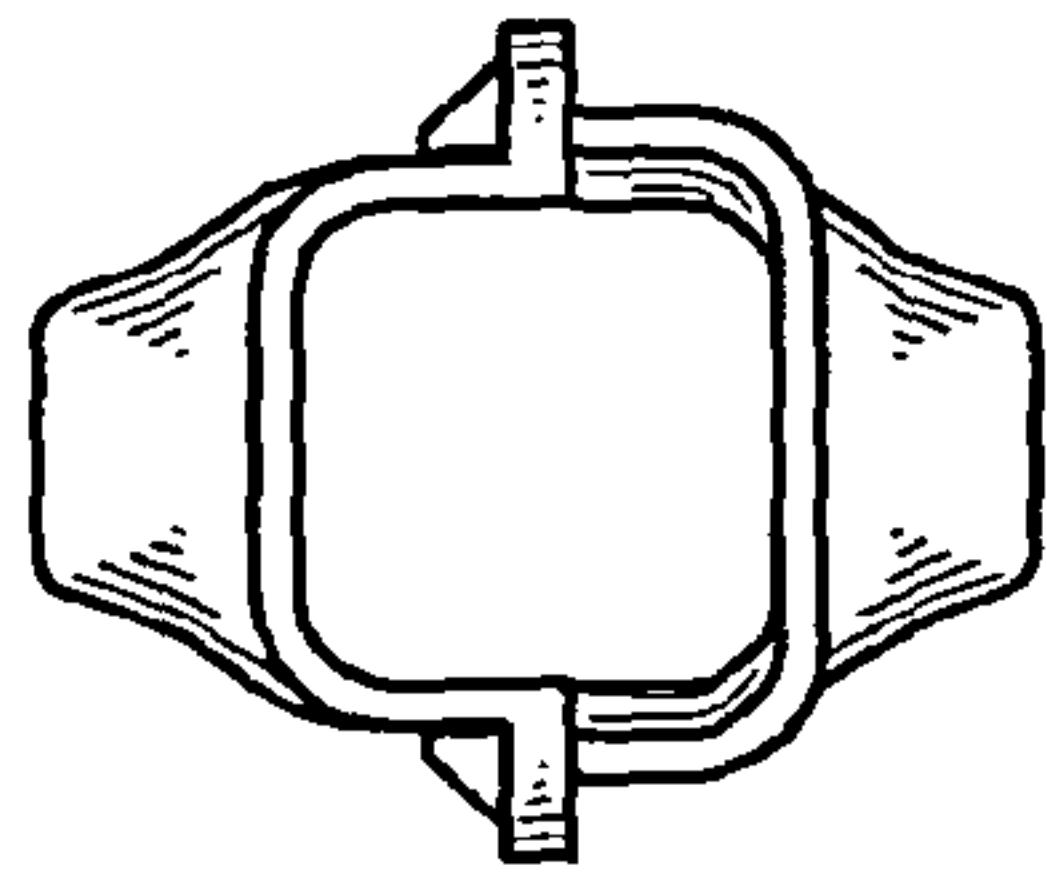


FIG. 4

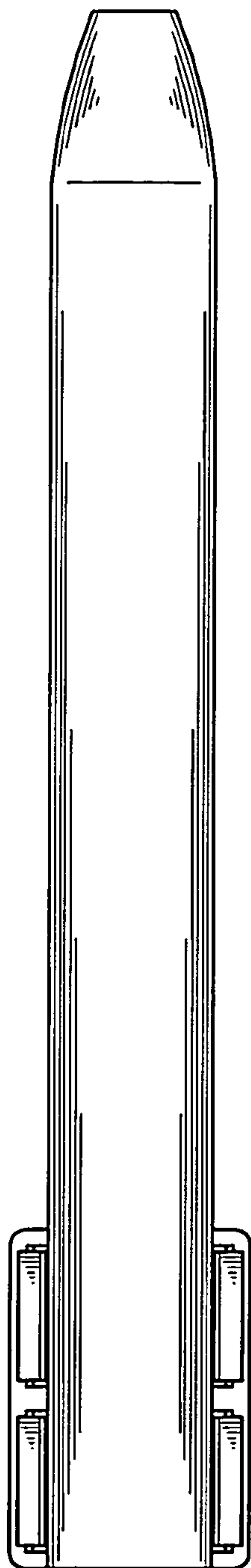


FIG. 6

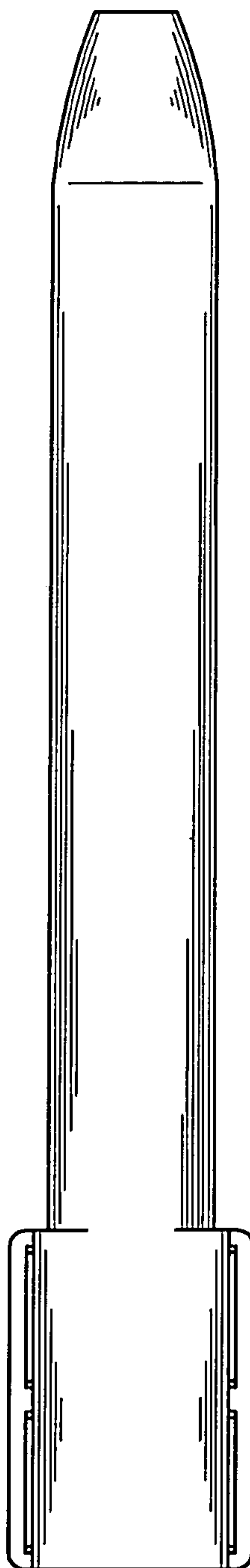


FIG. 7

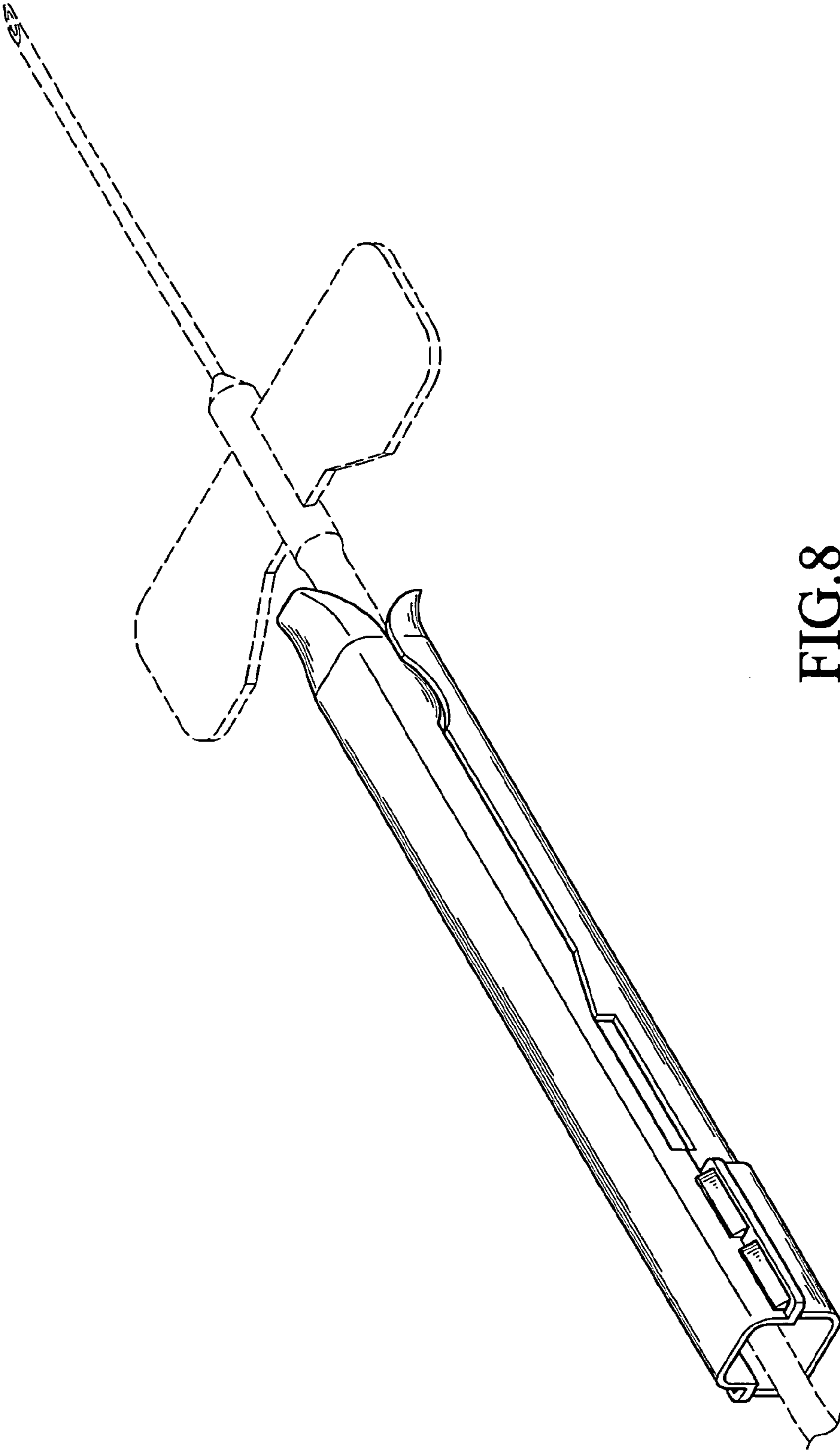


FIG. 8



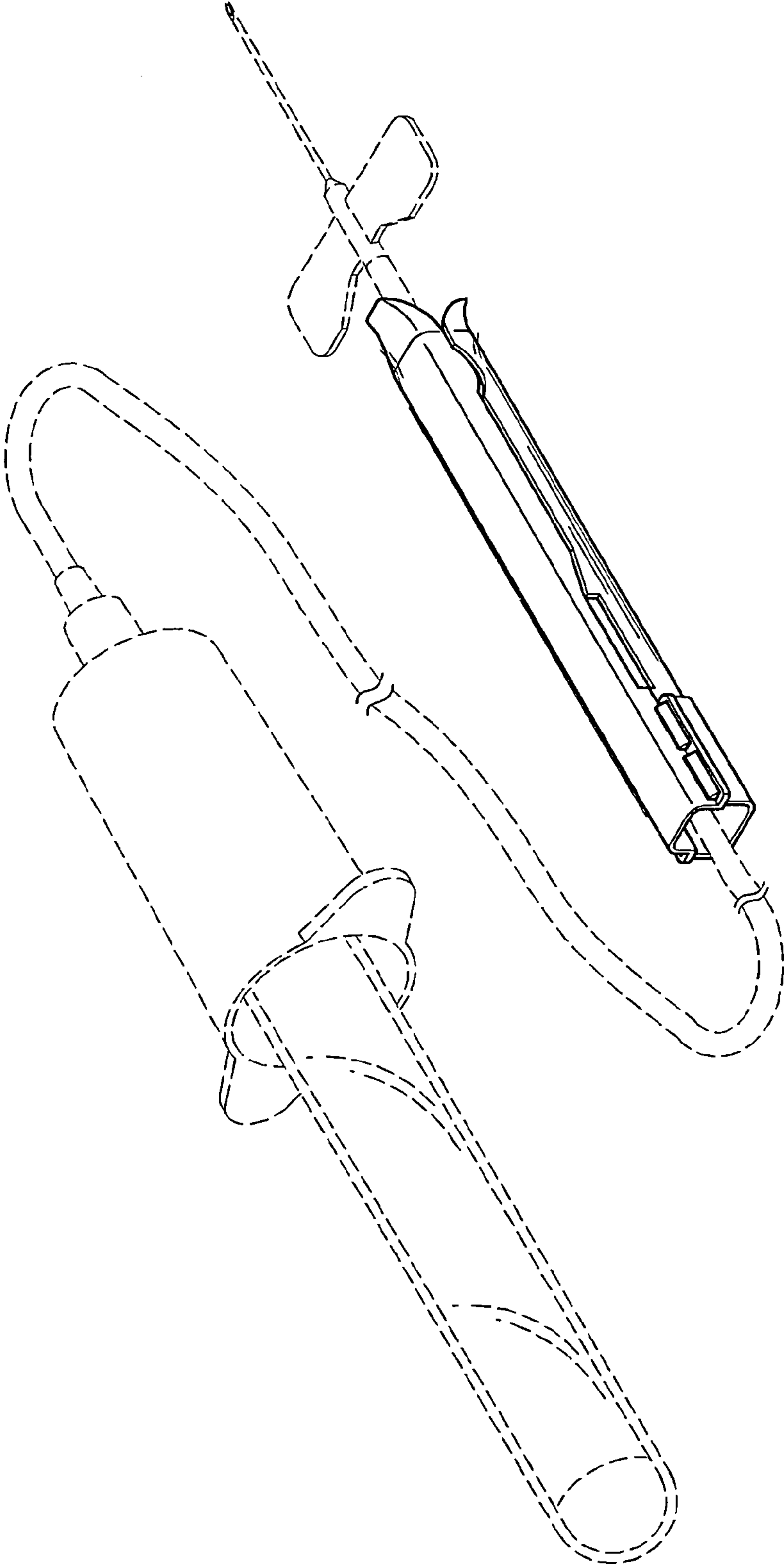


FIG.9

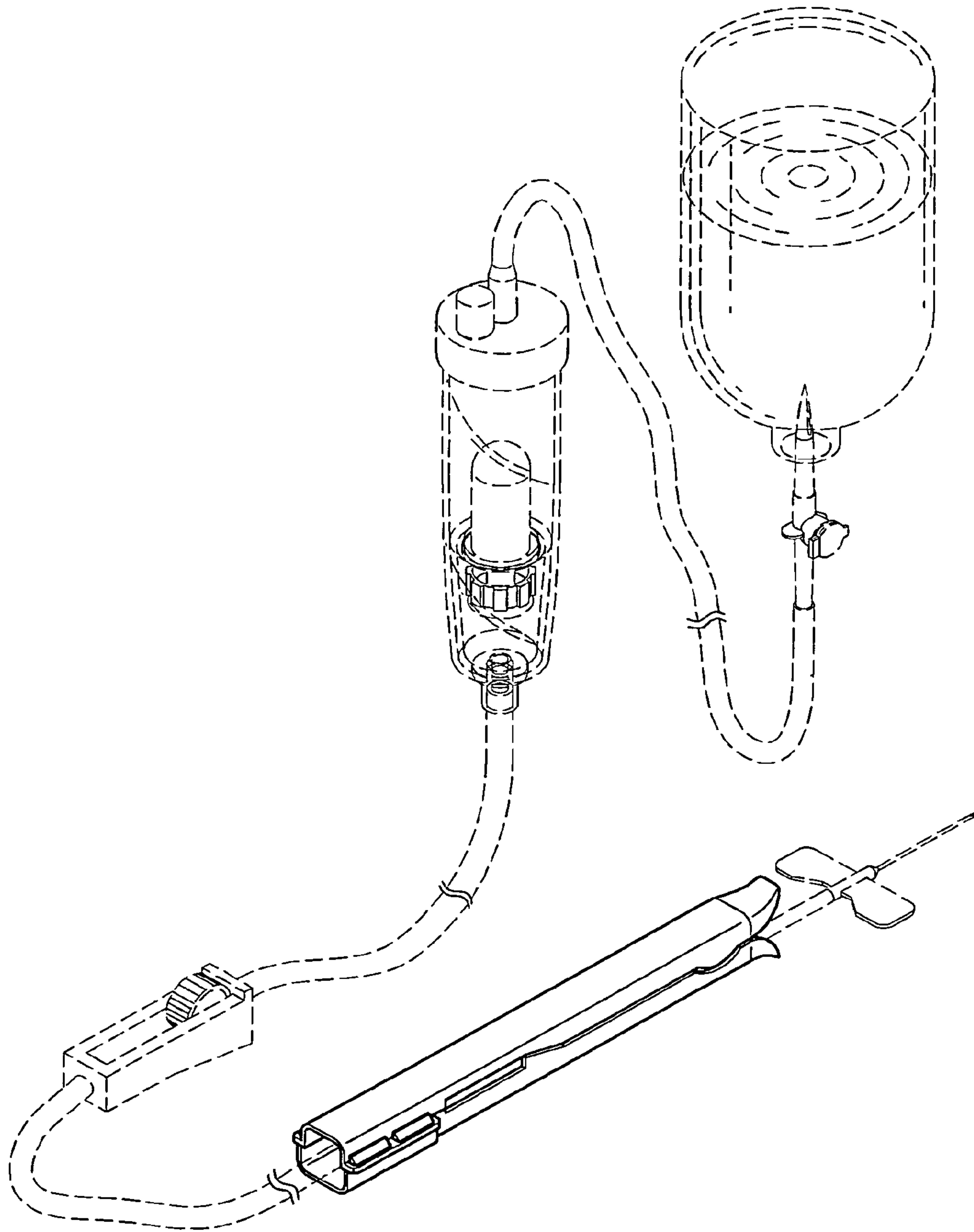


FIG. 10



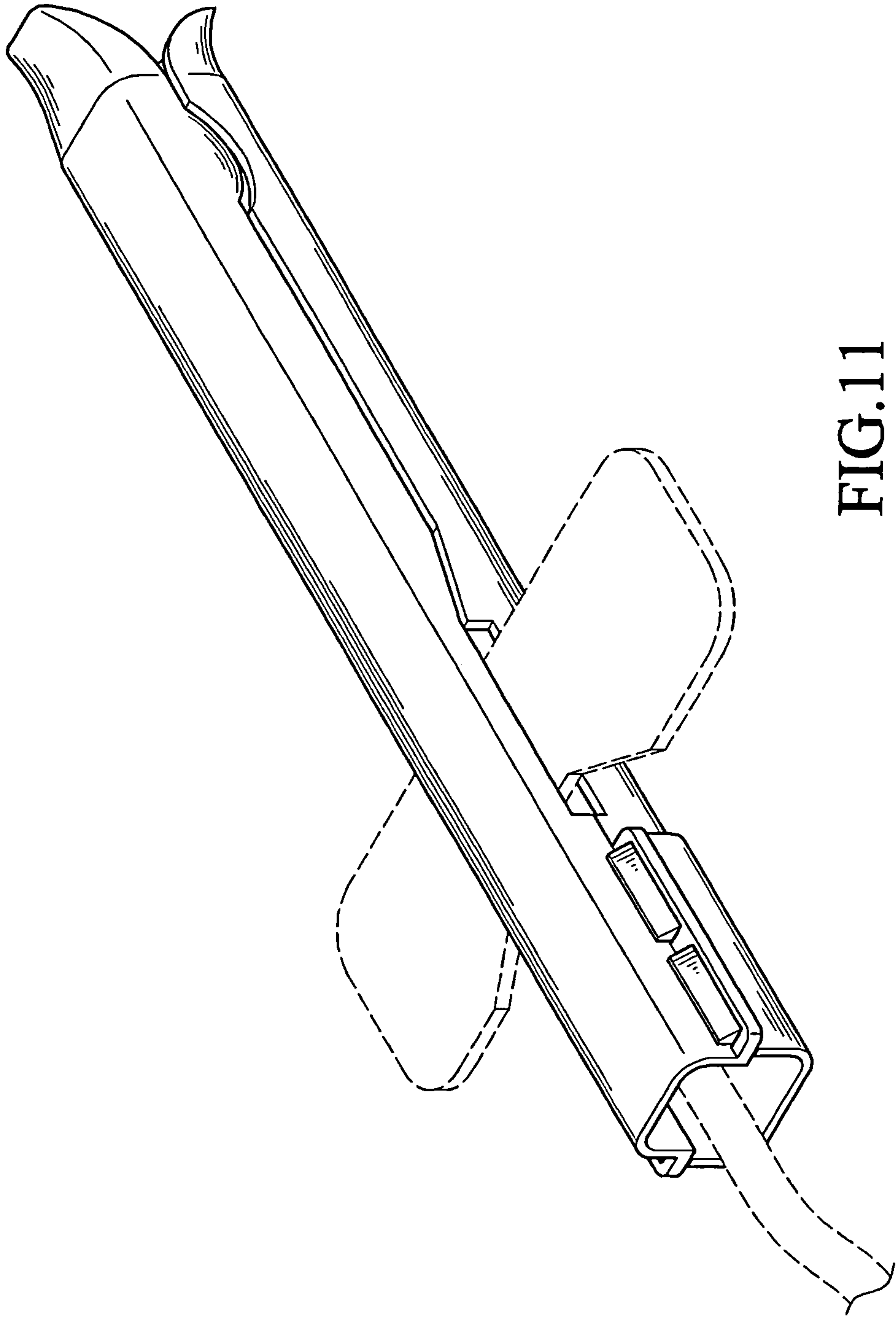


FIG.11