



US00D692996S

(12) **United States Design Patent**  
**Alexander**

(10) **Patent No.:** **US D692,996 S**

(45) **Date of Patent:** **\*\* Nov. 5, 2013**

(54) **AXIAL FLOW FAN**

D630,723 S \* 1/2011 Ediger et al. .... D23/411  
D645,953 S \* 9/2011 Peterson et al. .... D23/411  
D673,256 S \* 12/2012 Shapiro ..... D23/411

(75) Inventor: **Kathryn E. Alexander**, Shrewsbury,  
MA (US)

(73) Assignee: **Kaz USA, Inc.**, Southborough, MA (US)

(\*\*) Term: **14 Years**

(21) Appl. No.: **29/424,345**

(22) Filed: **Jun. 11, 2012**

(51) **LOC (9) Cl.** ..... **23-04**

(52) **U.S. Cl.**

USPC ..... **D23/370; D23/382**

(58) **Field of Classification Search**

USPC ..... D23/381–383, 370–379, 385–388, 393,  
D23/394, 399, 411–414, 355, 356, 336;  
454/237–253, 186, 228–236; 52/302.1;  
417/423.1, 423.14; 415/182.1, 200, 90;  
416/244 R, 246, 247 R; D6/309;  
D21/430, 436, 442, 447, 450, 453, 458

See application file for complete search history.

(56) **References Cited**

**U.S. PATENT DOCUMENTS**

D157,659 S \* 3/1950 Chapman ..... D23/336  
D386,565 S \* 11/1997 Jane et al. .... D23/382  
D398,983 S \* 9/1998 Keller et al. .... D23/382  
D421,114 S \* 2/2000 Lozzio et al. .... D23/382  
D429,808 S \* 8/2000 Krauss et al. .... D23/411  
D447,552 S \* 9/2001 Lee et al. .... D23/382

**OTHER PUBLICATIONS**

Honeywell Turbo Force Oscillating Table Fan, [site visited Jan. 30,  
2013]. Available from Internet, <URL: <http://www.kaz.com/kaz/fans/products/honeywell-turbo-force-room-air-circulator-ht-906/>>.\*

\* cited by examiner

*Primary Examiner* — Susan Bennett Hattan

*Assistant Examiner* — Janice Hallmark

(74) *Attorney, Agent, or Firm* — Stroock & Stroock & Lavan  
LLP

(57) **CLAIM**

The ornamental design for an axial-flow fan, as shown and  
described.

**DESCRIPTION**

FIG. 1 is a front perspective view of an axial-flow fan of the  
present invention;

FIG. 2 is a rear perspective view of the axial-flow fan of FIG.  
1;

FIG. 3 is a front view of the axial-flow fan of FIG. 1;

FIG. 4 is a right side view of the axial-flow fan of FIG. 1;

FIG. 5 is a rear view of the axial-flow fan of FIG. 1;

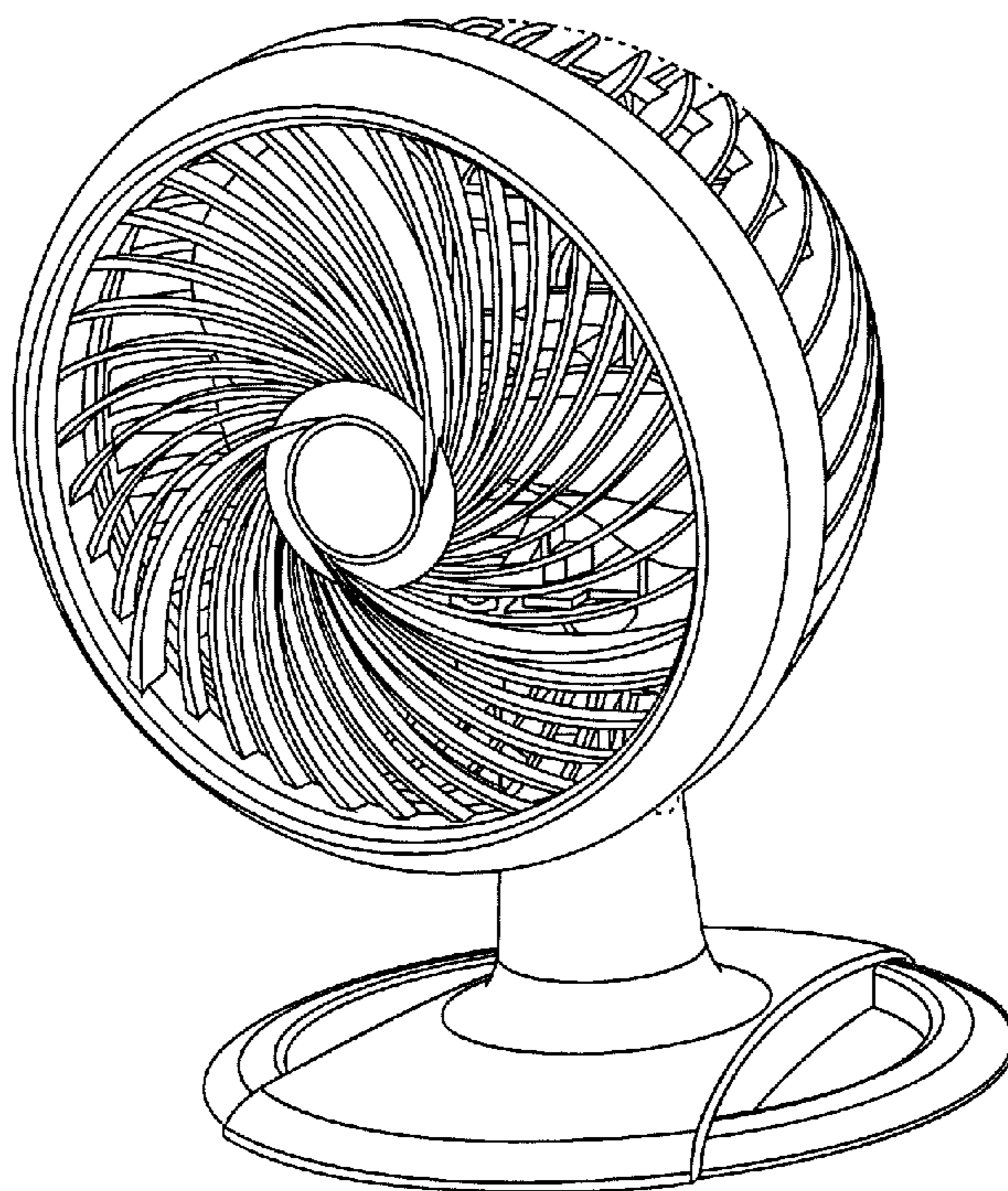
FIG. 6 is a left side view of the axial-flow fan of FIG. 1;

FIG. 7 is a top view of the axial-flow fan of FIG. 1; and,

FIG. 8 is a bottom view of the axial-flow fan of FIG. 1.

The broken line showing of the axial-flow fan is for the  
purpose of illustrating portions of the “article” and forms no  
part of the claimed design.

**1 Claim, 8 Drawing Sheets**



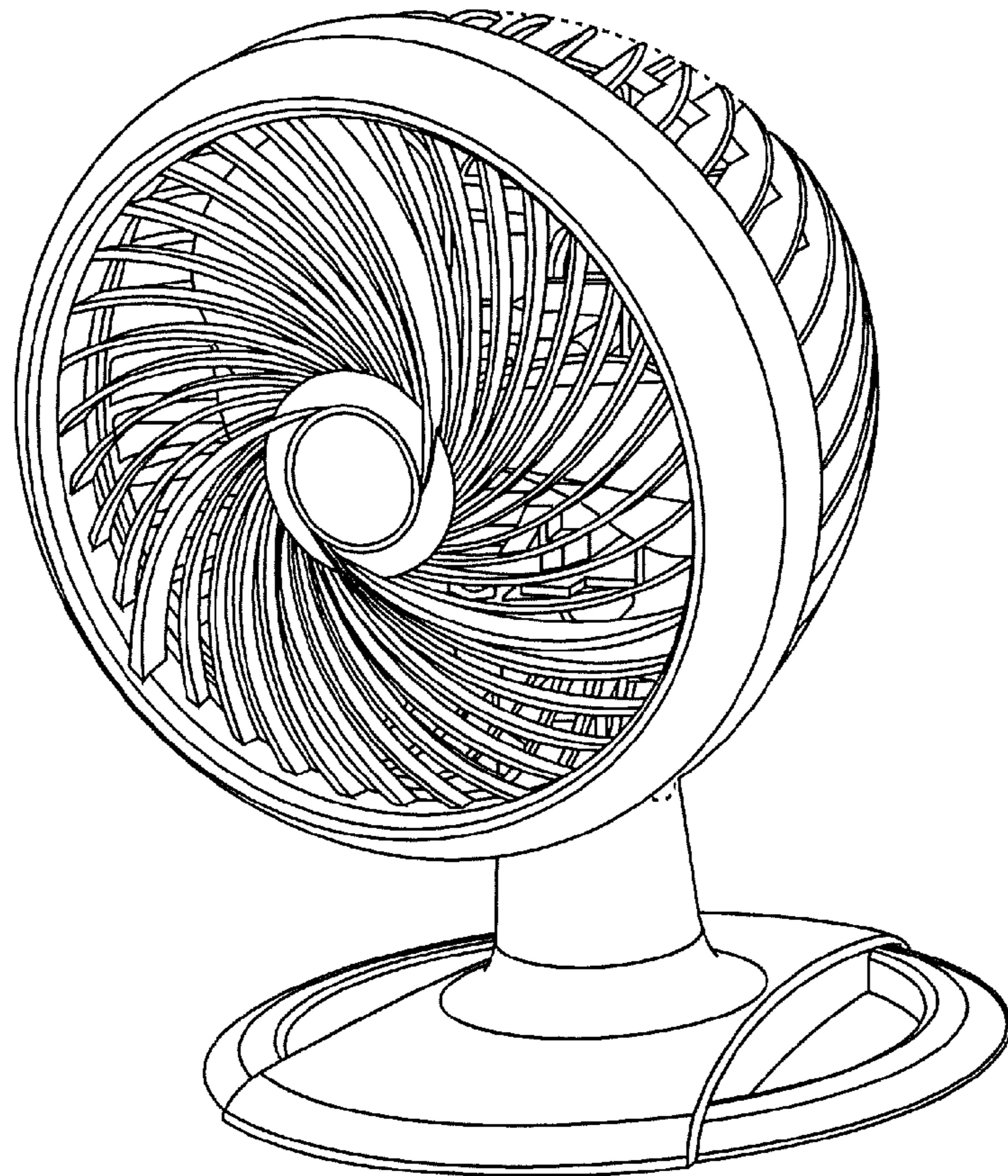


Fig. 1

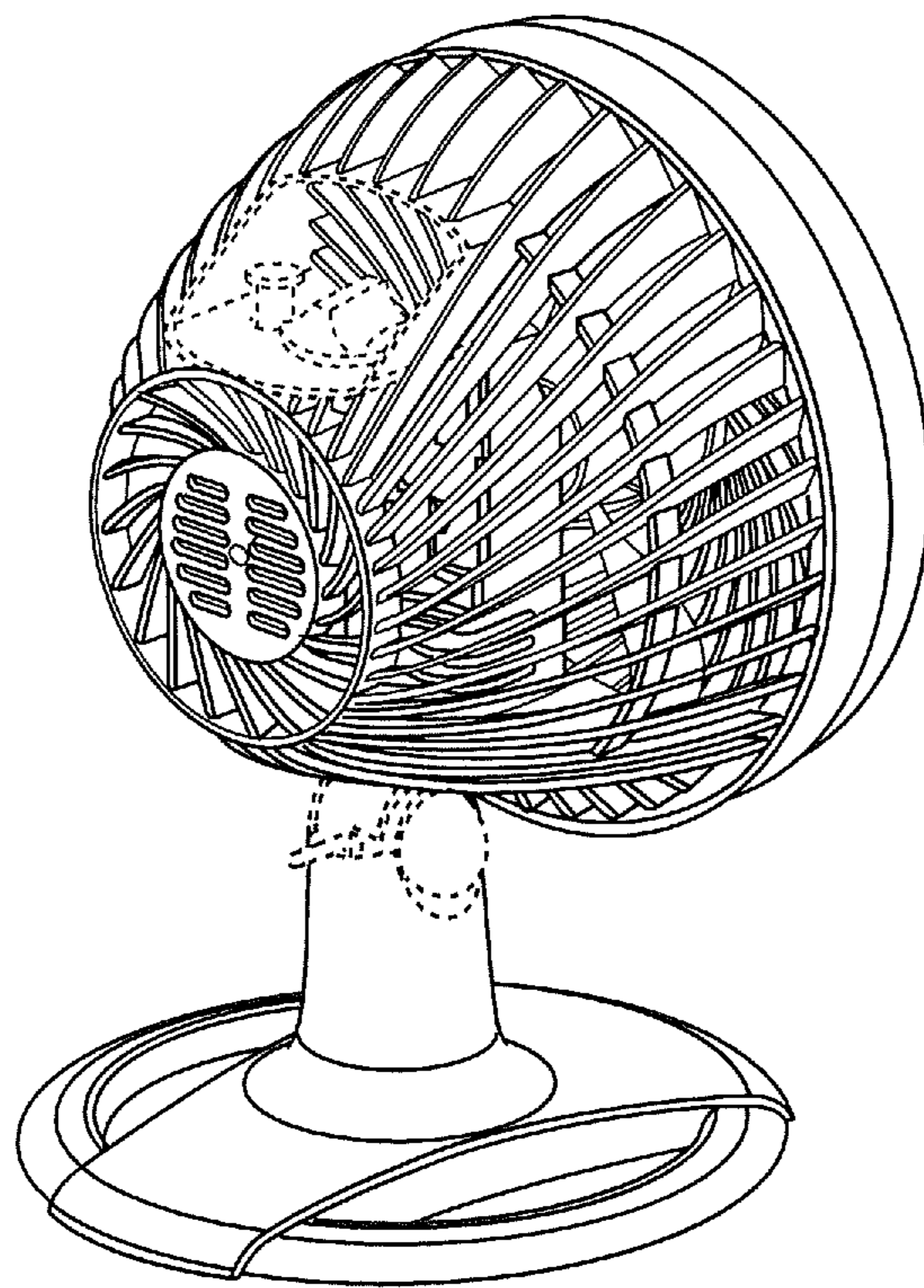


Fig. 2

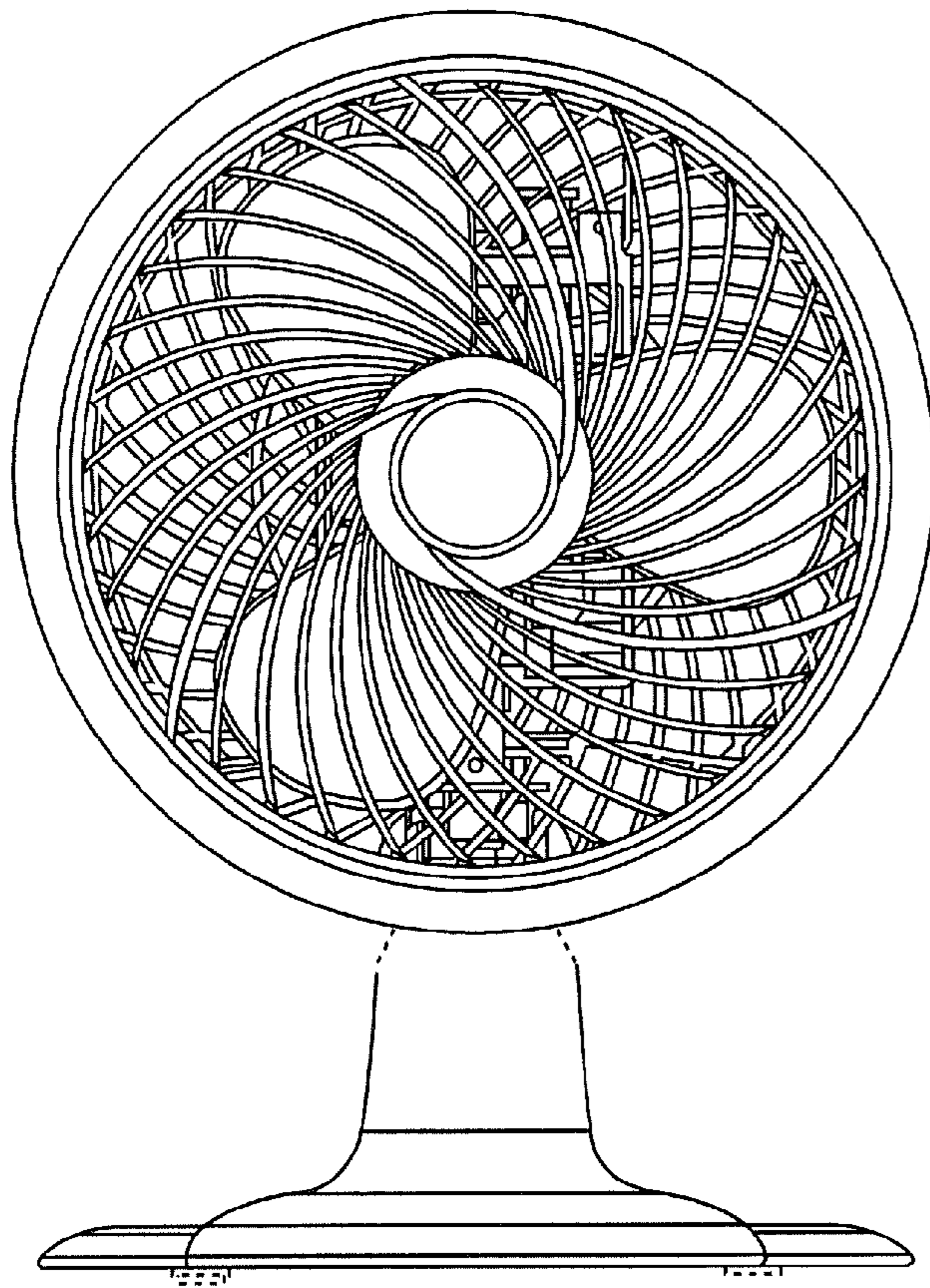


Fig. 3

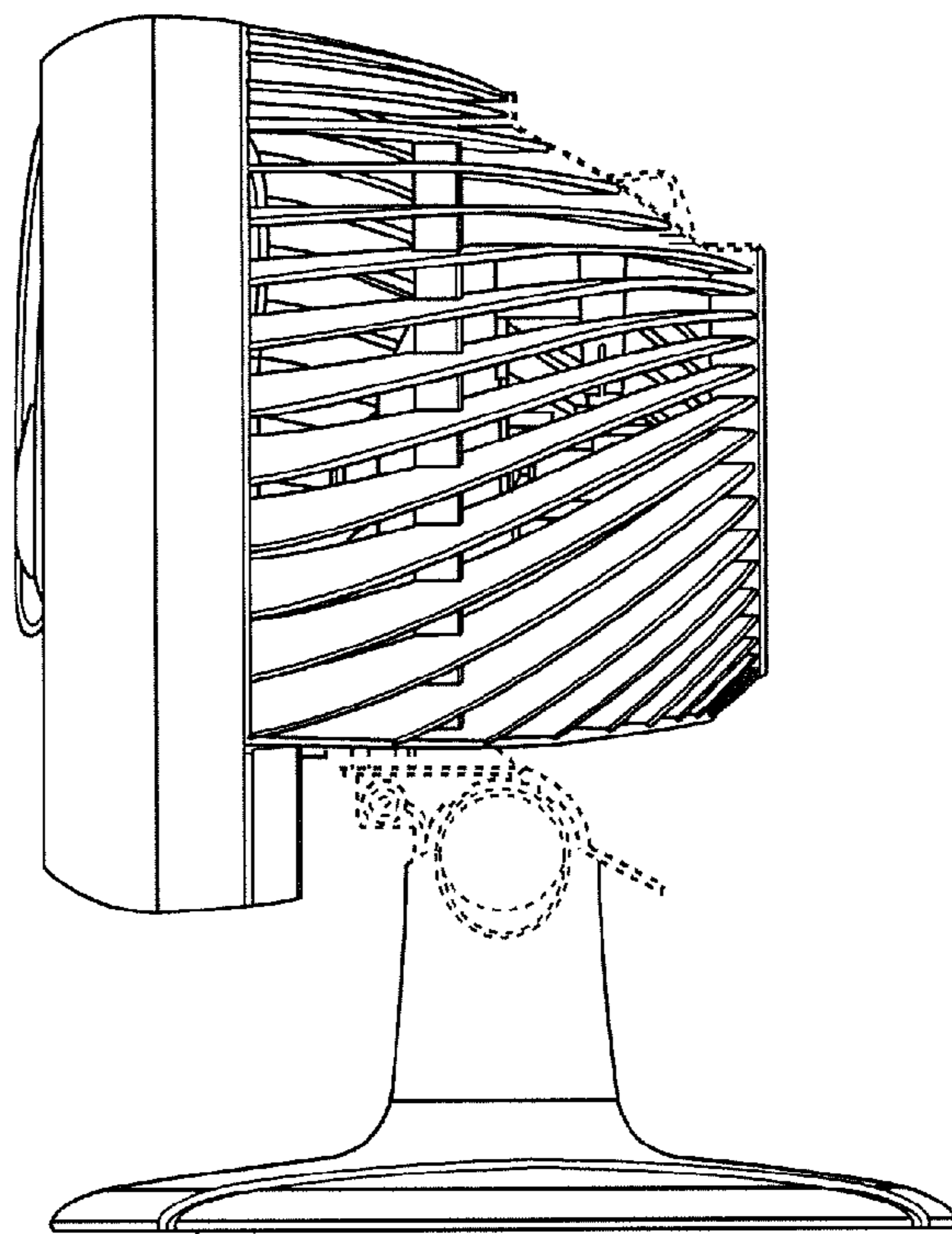


Fig. 4

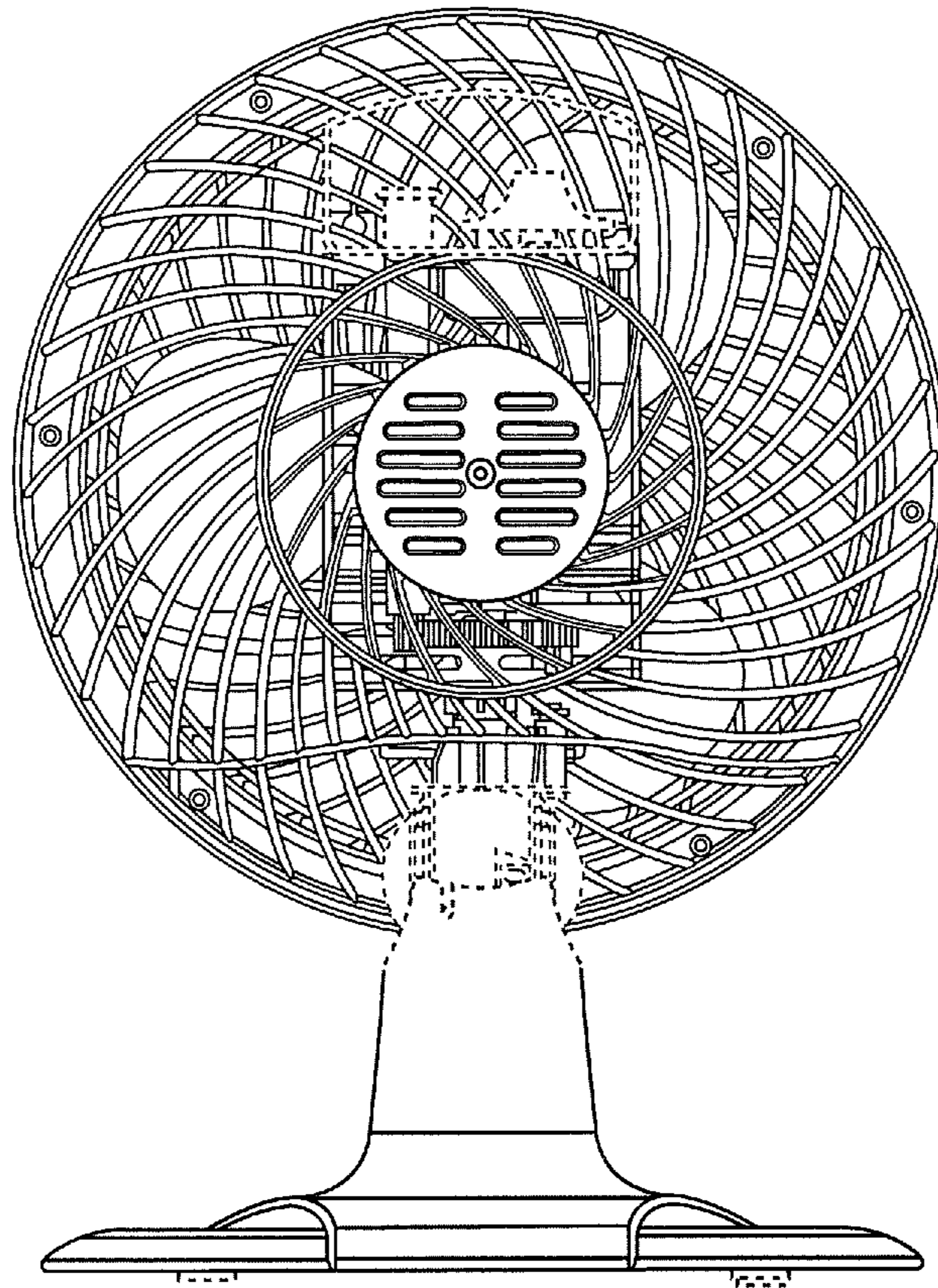


Fig. 5

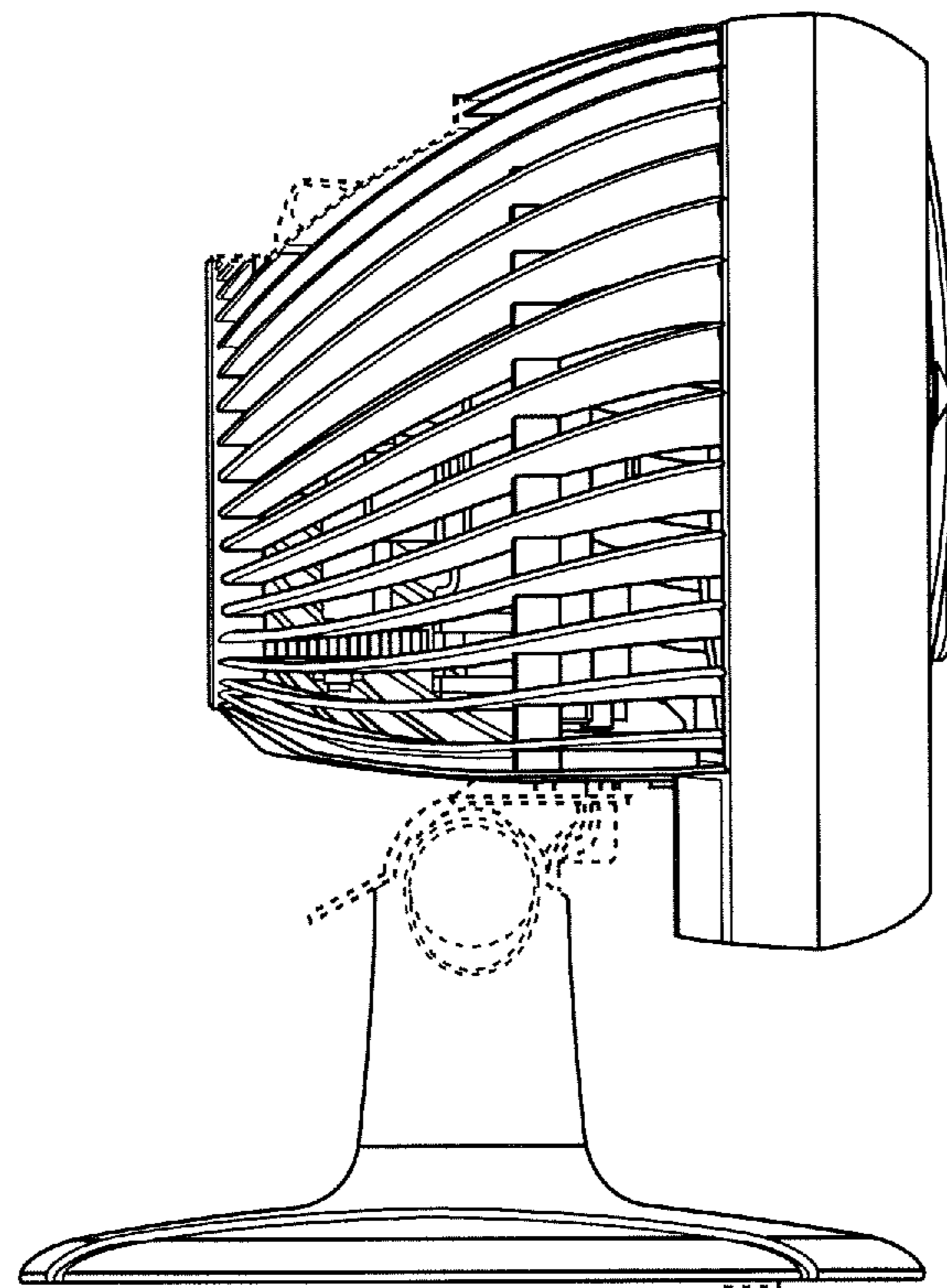


Fig. 6

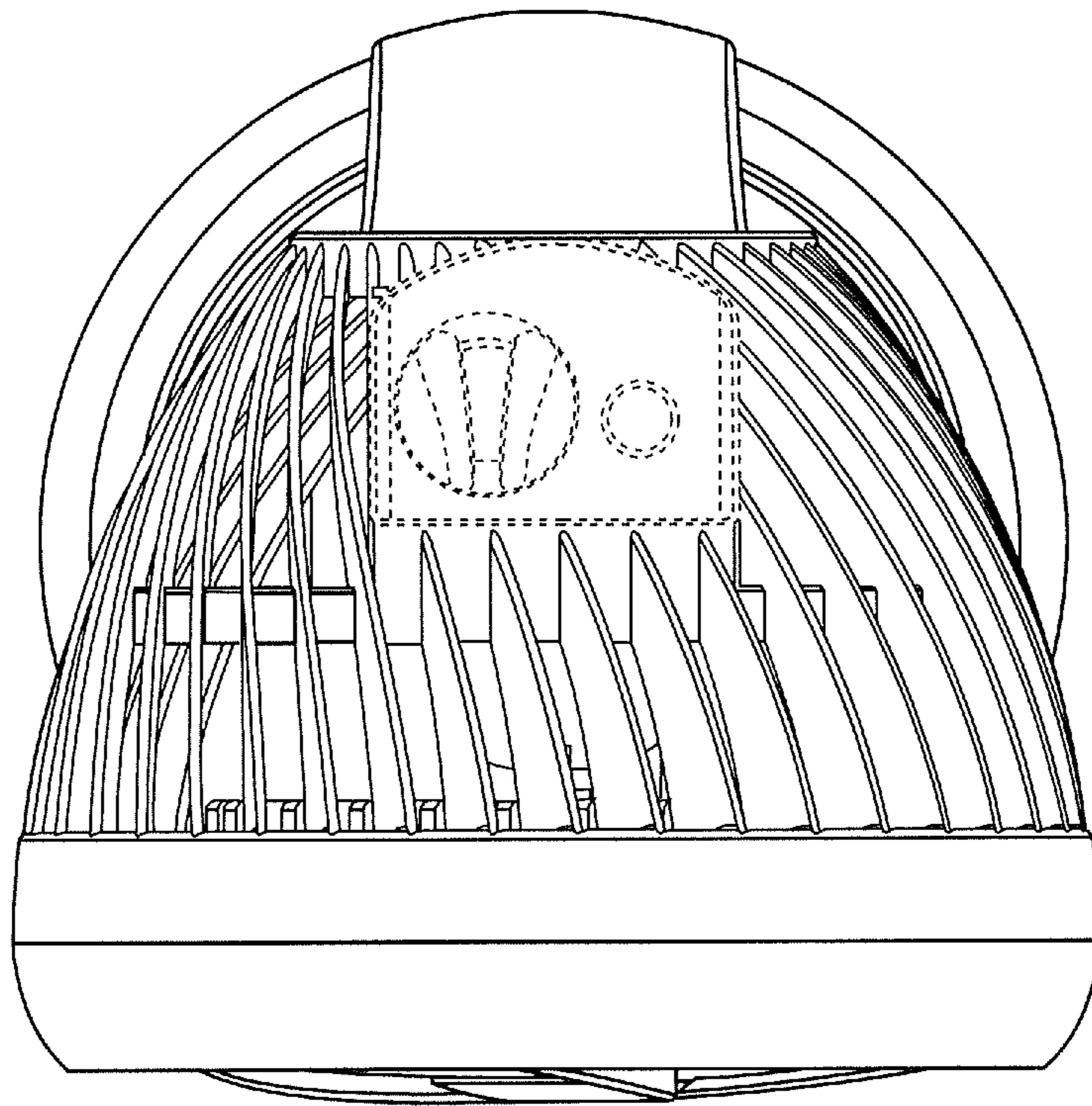


Fig. 7



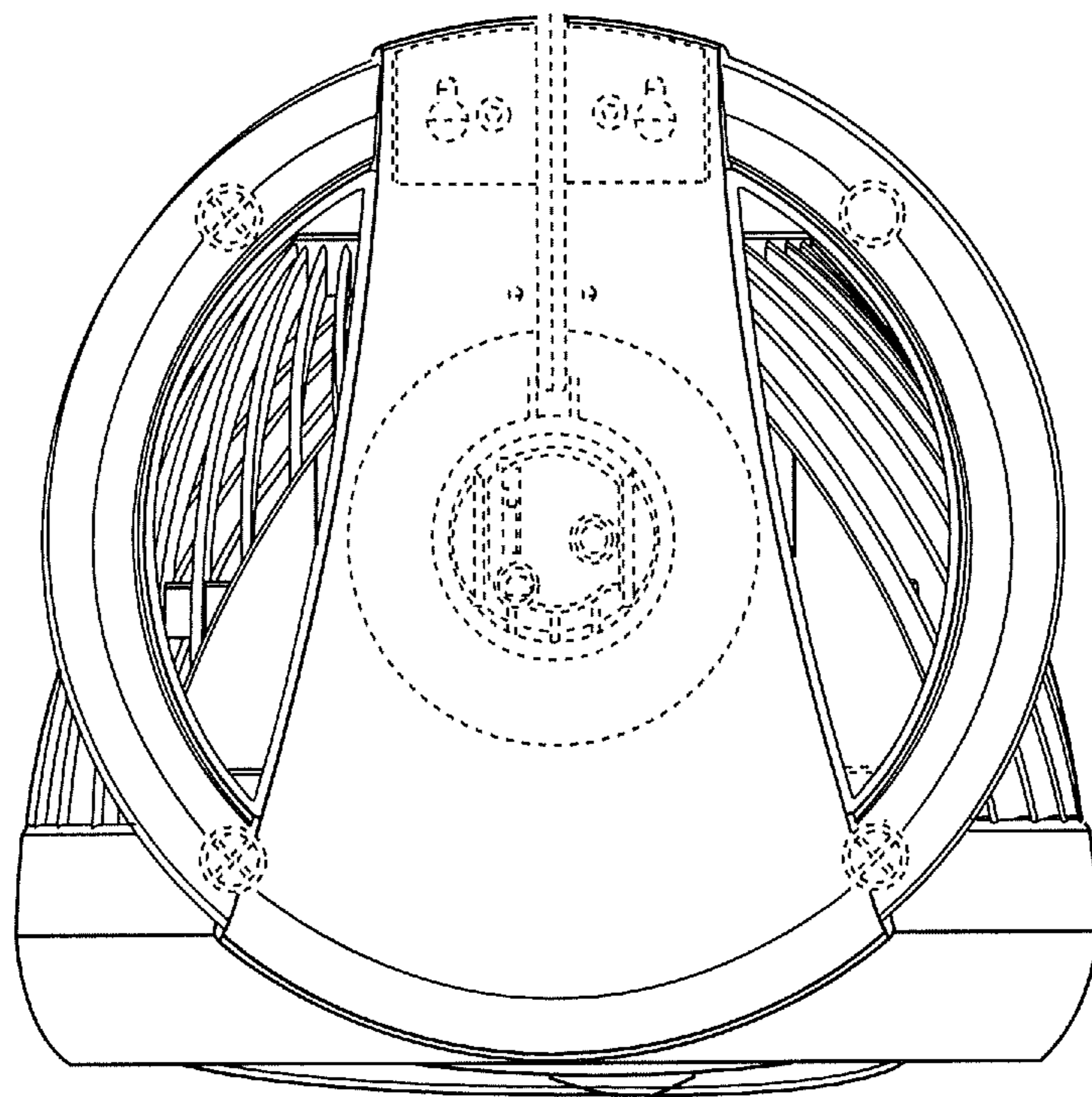


Fig. 8