

US00D692993S

(12) **United States Design Patent**  
**Warren et al.**

(10) **Patent No.:** **US D692,993 S**

(45) **Date of Patent:** **\*\* Nov. 5, 2013**

(54) **TWO PART HOUSING**

(75) Inventors: **W. Weston Warren**, Jefferson City, MO (US); **Timothy A. Zwijack**, Camdenton, MO (US)

(73) Assignee: **Tim Zwijack**, camdenton, MO (US)

(\*\*) Term: **14 Years**

(21) Appl. No.: **29/383,237**

(22) Filed: **Jan. 14, 2011**

(51) **LOC (9) Cl.** ..... **23-04**

(52) **U.S. Cl.**  
USPC ..... **D23/364**

(58) **Field of Classification Search**  
USPC ..... D23/355-366, 352, 369, 332, 333, 335, D23/336, 342, 351; 422/120, 122; 55/356, 55/473, 504; 96/97; D14/188, 170, 172; 261/DIG. 17, DIG. 65, DIG. 88, DIG. 31; D18/34.6; D9/424, 425, 426, 431, 432  
See application file for complete search history.

(56) **References Cited**

U.S. PATENT DOCUMENTS

3,422,263	A	1/1969	Asahina	
D261,422	S *	10/1981	Morrow	D23/357
D276,286	S *	11/1984	Evans	D9/425
D305,562	S *	1/1990	Martinez	D23/356
4,901,194	A	2/1990	Steinman et al.	
D310,409	S *	9/1990	Allen et al.	D23/351
5,055,963	A	10/1991	Partridge	
D352,897	S *	11/1994	Jackson	D9/431
D380,965	S *	7/1997	Correll	D9/431
D397,194	S *	8/1998	Hebert	D23/354
D397,778	S *	9/1998	Lam	D23/356
6,217,627	B1 *	4/2001	Vyskocil et al.	55/504
6,284,011	B1 *	9/2001	Chiang et al.	55/504
6,508,982	B1	1/2003	Shoji	
D469,692	S *	2/2003	Meecker et al.	D9/432
6,626,972	B2 *	9/2003	Chiang et al.	55/473
D593,190	S *	5/2009	Glass	D23/365

7,892,501	B2	2/2011	Parker et al.
2007/0253860	A1	11/2007	Schroder
2009/0169438	A1	7/2009	Bruggink
2010/0135850	A1	6/2010	Helenius
2011/0000251	A1	1/2011	Oka et al.
2011/0128738	A1	6/2011	Kamii et al.
2011/0150710	A1	6/2011	Tsuda et al.

FOREIGN PATENT DOCUMENTS

WO WO2004105820 12/2004

OTHER PUBLICATIONS

PCT, International Search Report and Written Opinion of the International Searching Authority, in International application No. PCT/US13/21544, dated Mar. 12, 2013. (13 pages).

Haatz "Ion Cluster" webpage, archived Sep. 17, 2007 (Sep. 12, 2007), entire document URL:[http://web.archive.org/web/20070917045750/http://www.haatz.com.kr/eng/hood\\_option\\_05](http://web.archive.org/web/20070917045750/http://www.haatz.com.kr/eng/hood_option_05).

\* cited by examiner

*Primary Examiner* — David Muller

(74) *Attorney, Agent, or Firm* — McAndrews, Held & Malloy, Ltd.

(57) **CLAIM**

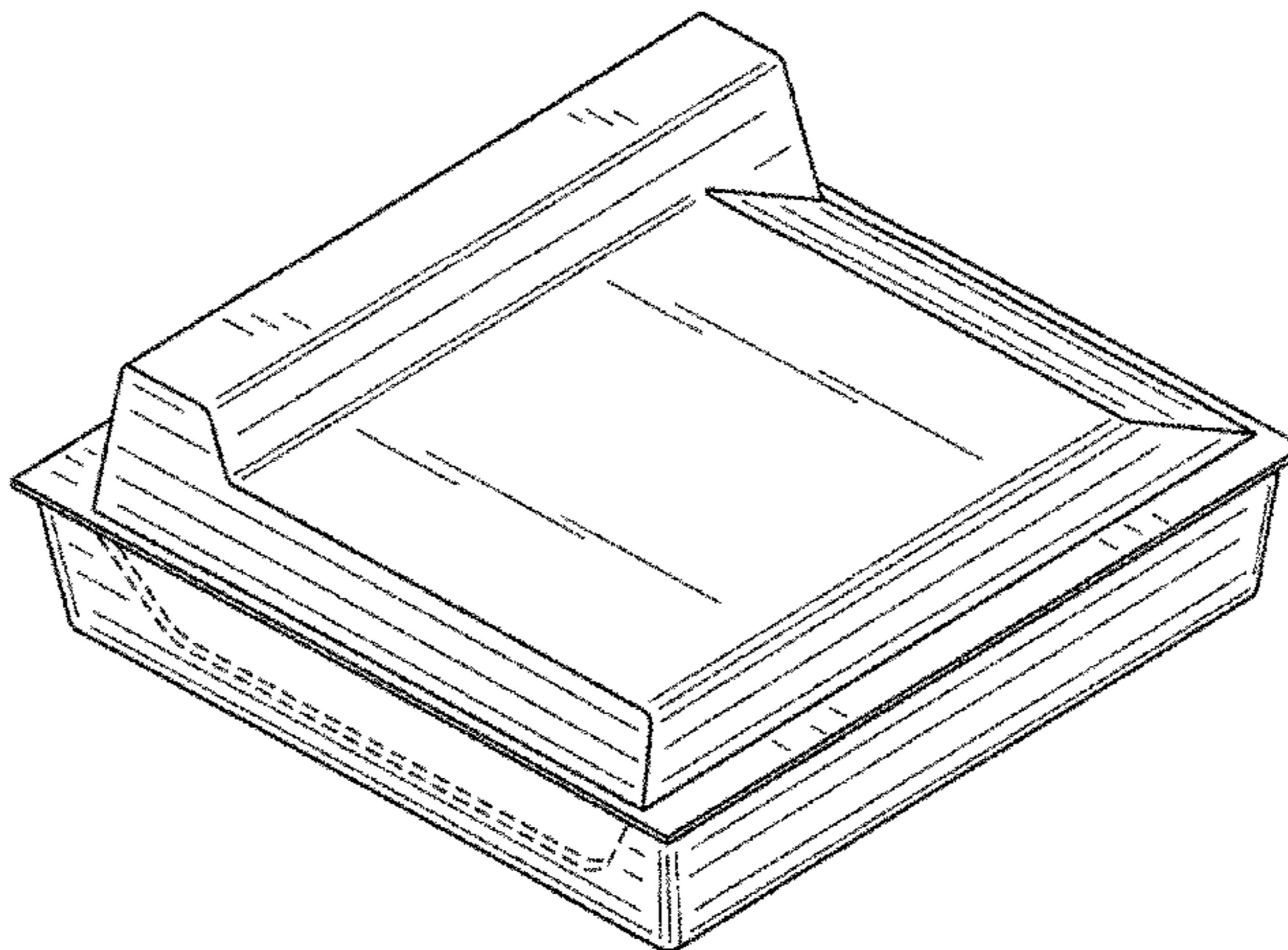
The ornamental design for a two part housing, as shown and described.

**DESCRIPTION**

FIG. 1 is an isometric view;  
FIG. 2 is an isometric view opposite FIG. 1;  
FIG. 3 is a front view;  
FIG. 4 is a side view left of FIG. 3;  
FIG. 5 is a rear view opposite FIG. 3;  
FIG. 6 is a side view right of FIG. 3 and opposite FIG. 4;  
FIG. 7 is a top view; and,  
FIG. 8 is a bottom view.

The broken lines are for environmental purposes only and form no part of the claimed design.

**1 Claim, 4 Drawing Sheets**



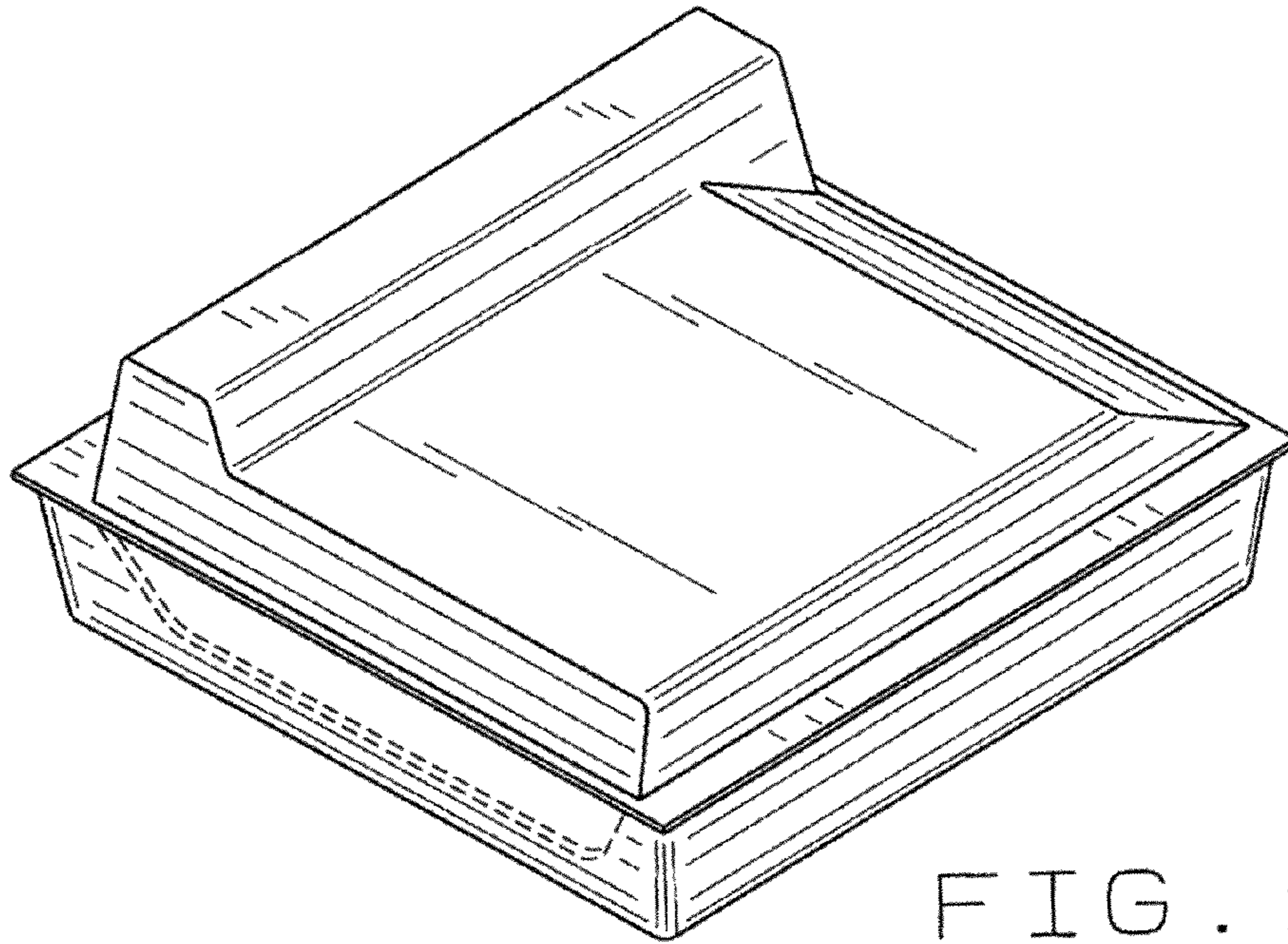


FIG. 1

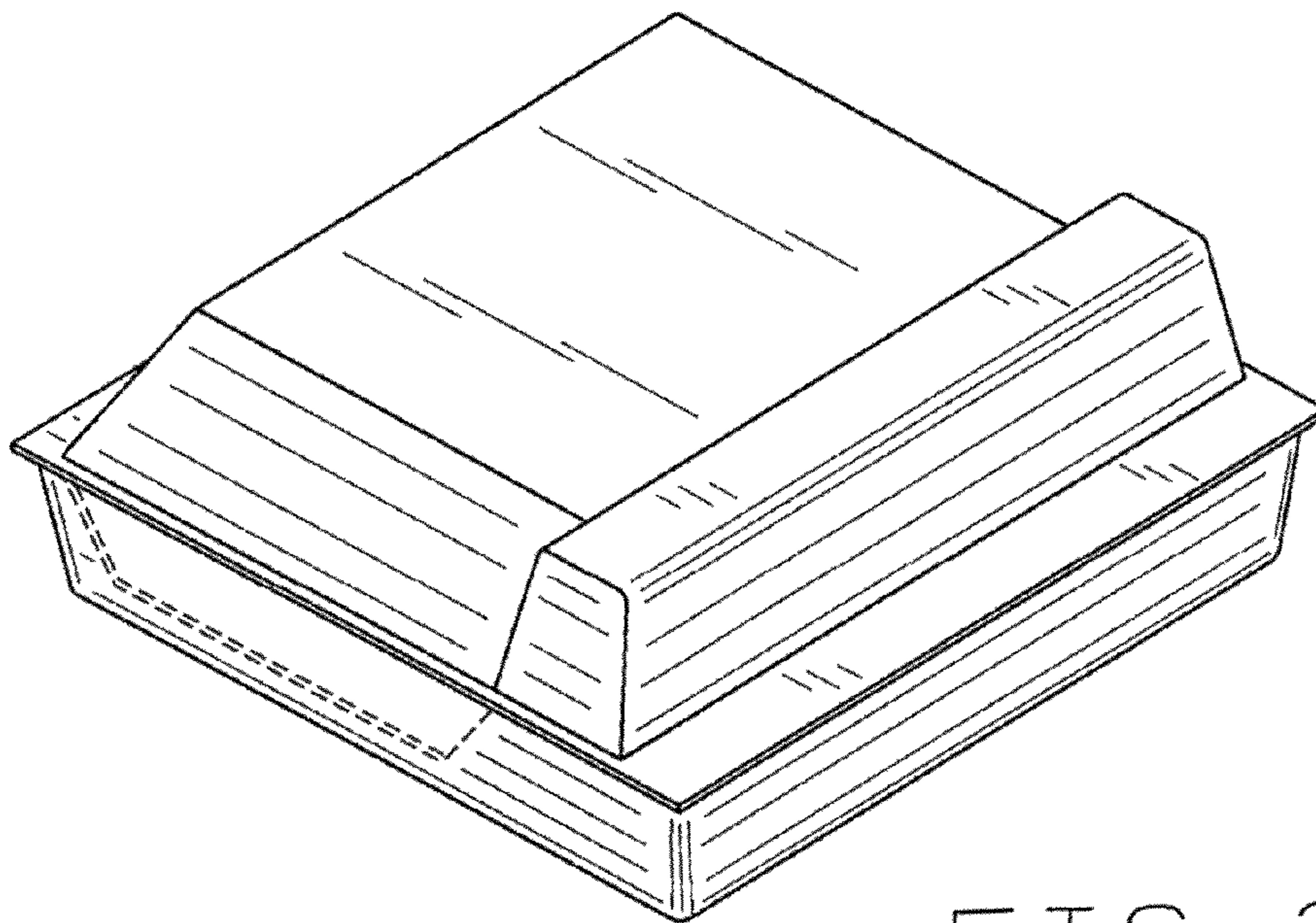


FIG. 2

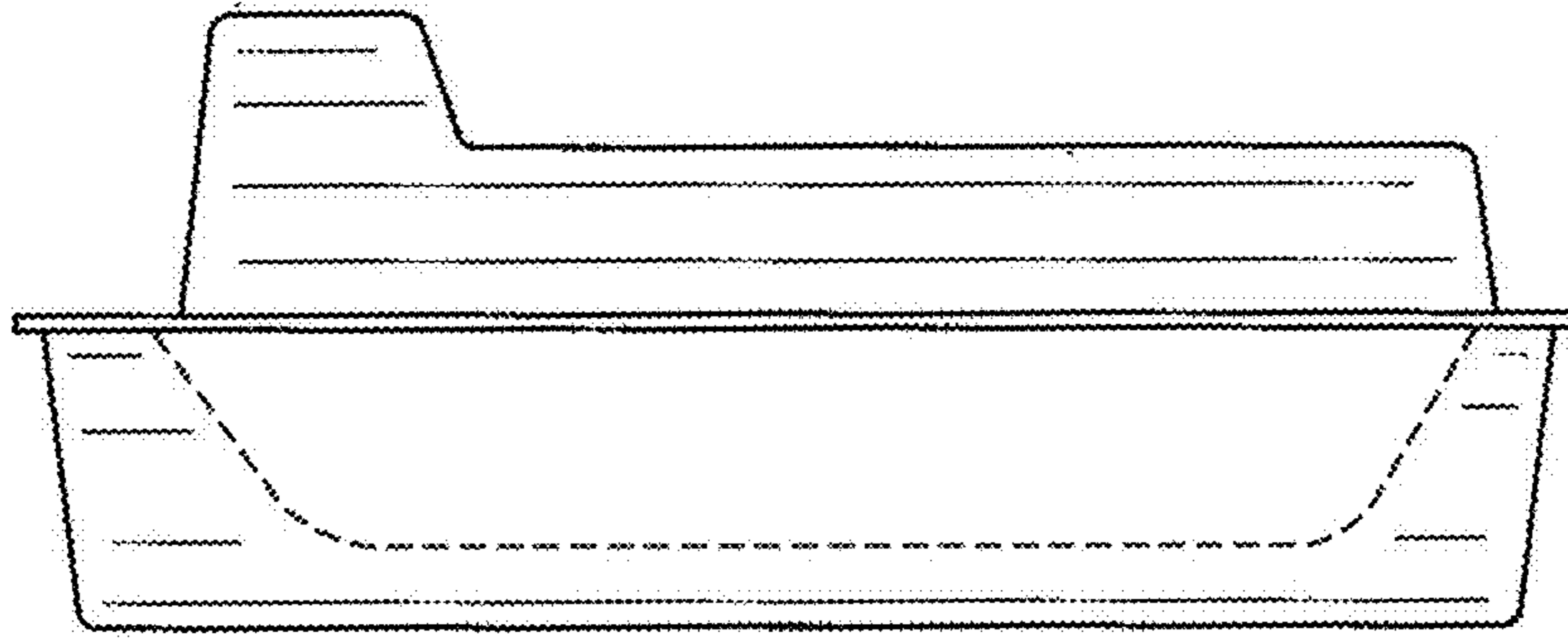


FIG. 3

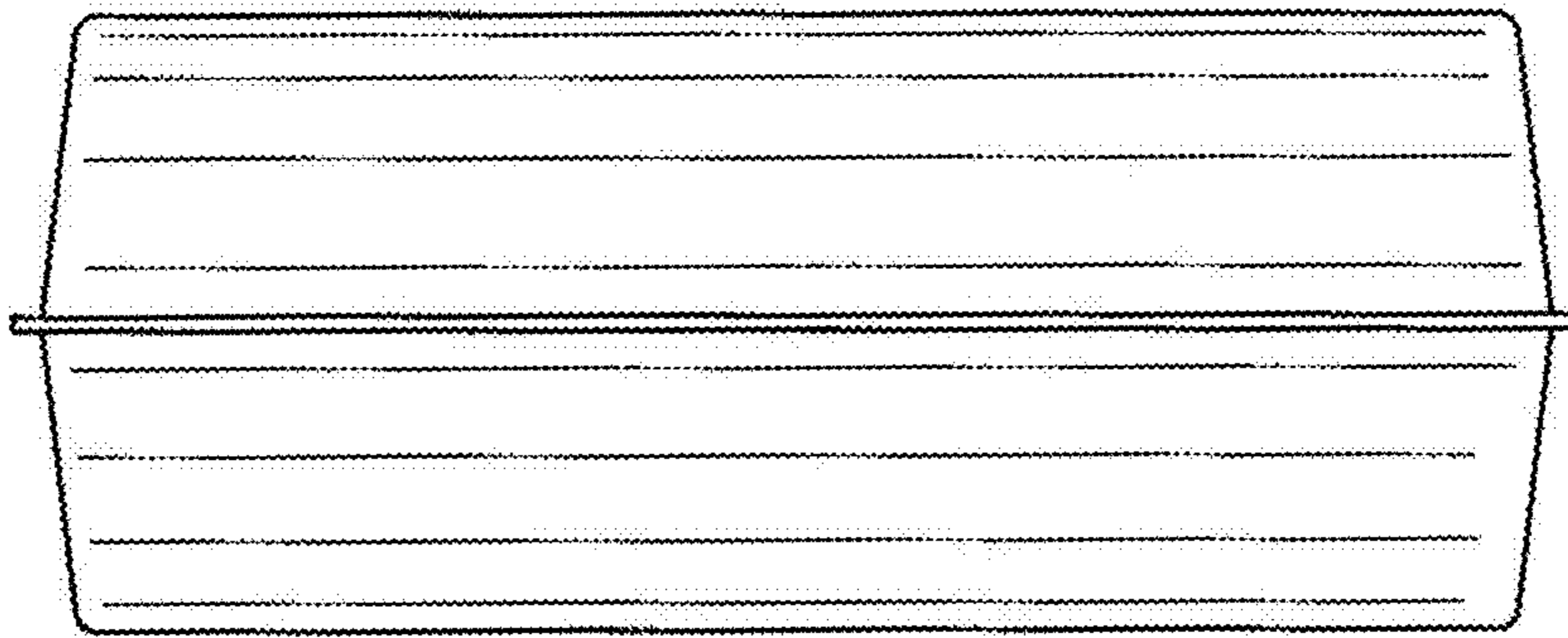


FIG. 4

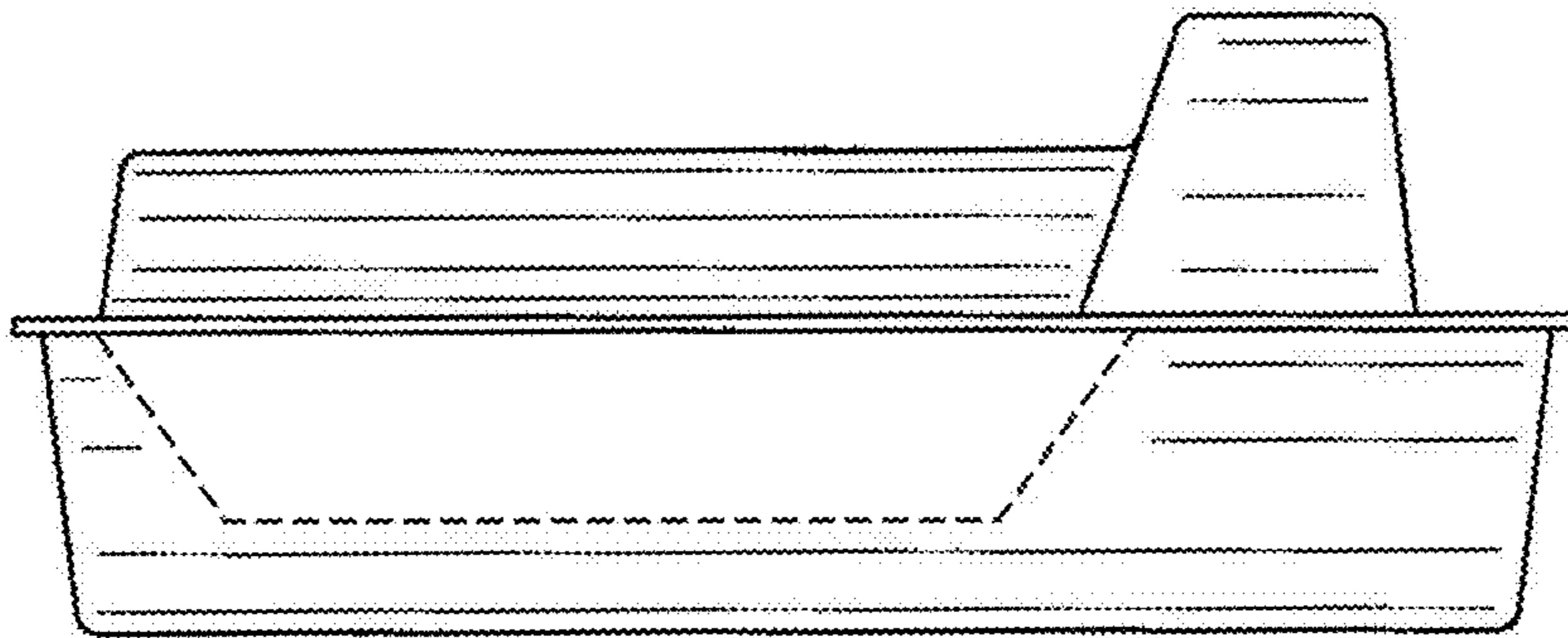


FIG. 5

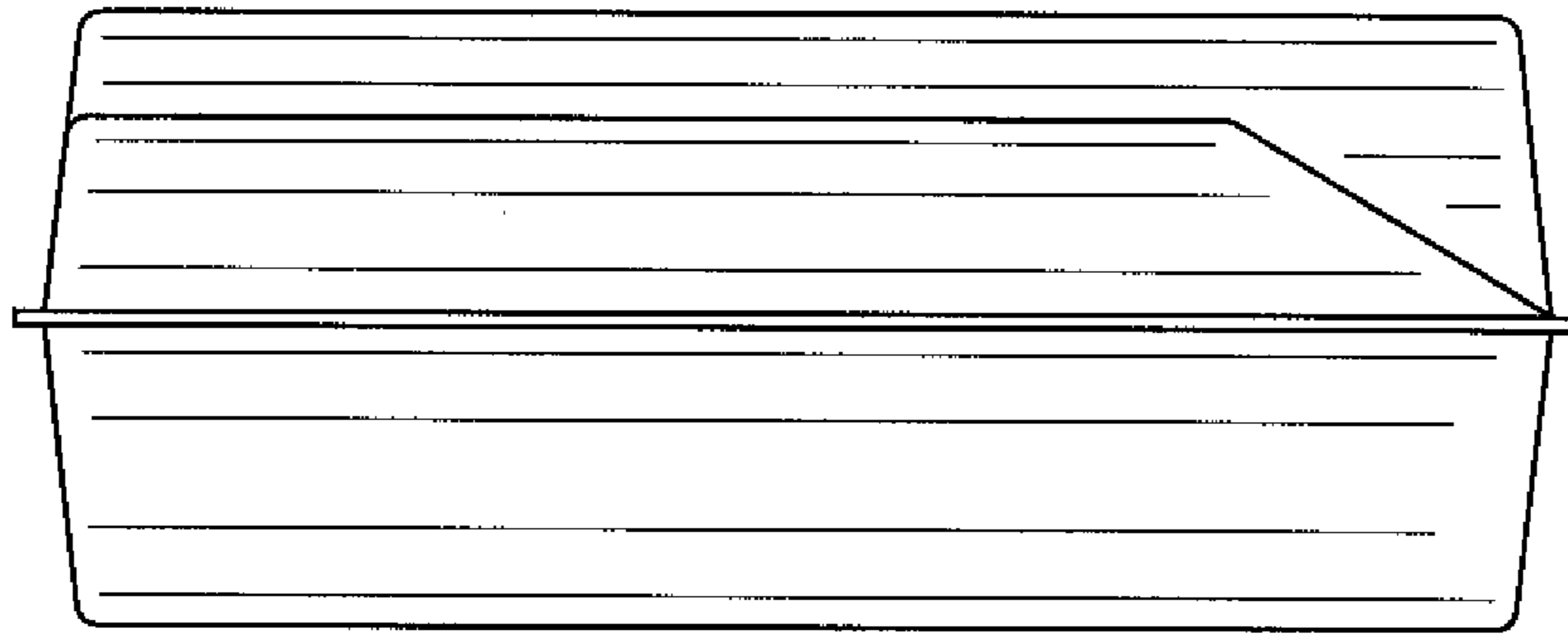


FIG. 6

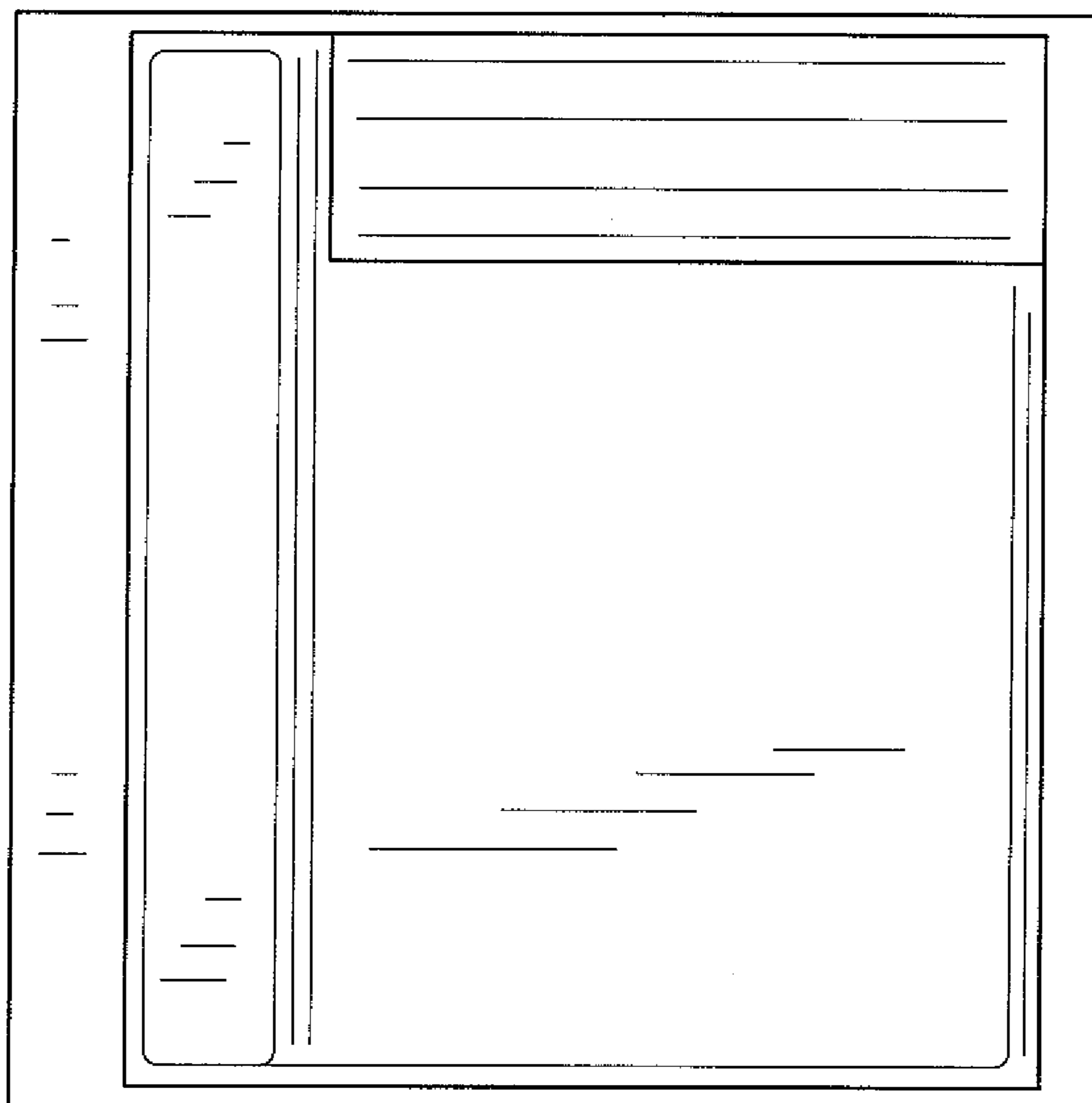


FIG. 7

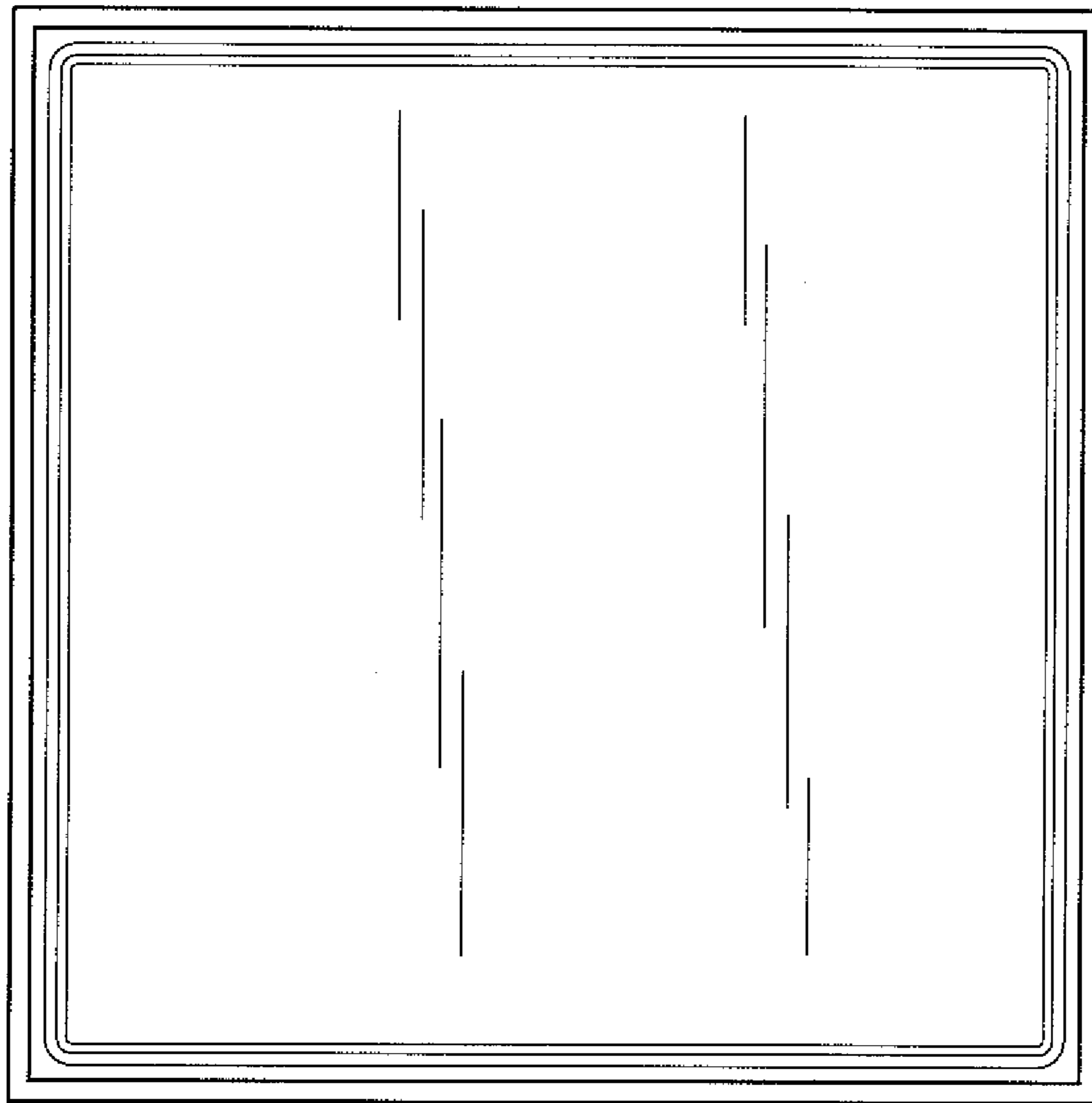


FIG. 8