

US00D692992S

(12) **United States Design Patent**
Whitinger

(10) **Patent No.:** **US D692,992 S**

(45) **Date of Patent:** **** Nov. 5, 2013**

(54) **SHOWER PAN**

(56) **References Cited**

(71) Applicant: **Ryan L. Whitinger**, Flowery Branch, GA (US)

U.S. PATENT DOCUMENTS

(72) Inventor: **Ryan L. Whitinger**, Flowery Branch, GA (US)

5,243,716	A *	9/1993	Zaccai et al.	4/613
5,718,008	A *	2/1998	Pane	4/613
6,178,571	B1 *	1/2001	McAllister	4/613
6,381,773	B1 *	5/2002	McAllister	4/613
6,941,703	B2 *	9/2005	MacLean et al.	4/613
7,007,315	B2 *	3/2006	Stonecipher	4/613
D532,877	S *	11/2006	Hisey	D23/304
D617,433	S *	6/2010	Cahill et al.	D23/284
8,474,069	B1 *	7/2013	Whitinger	4/613
2010/0162481	A1 *	7/2010	Erlebach	4/613
2010/0180374	A1 *	7/2010	Davoudi	4/613
2011/0088161	A1 *	4/2011	Stimpson	4/613
2011/0197355	A1 *	8/2011	Lemire	4/613

(73) Assignee: **MTI Whirlpools, Inc.**, Sugar Hill, GA (US)

(**) Term: **14 Years**

(21) Appl. No.: **29/456,309**

(22) Filed: **May 30, 2013**

* cited by examiner

Related U.S. Application Data

(63) Continuation of application No. 12/909,245, filed on Oct. 21, 2010, now Pat. No. 8,474,069.

Primary Examiner — Robert Delehanty

(74) *Attorney, Agent, or Firm* — Wallace G. Walter

(51) **LOC (9) Cl.** **23-02**

(52) **U.S. Cl.**
USPC **D23/304**

(57) **CLAIM**

The ornamental design for a shower pan, as shown.

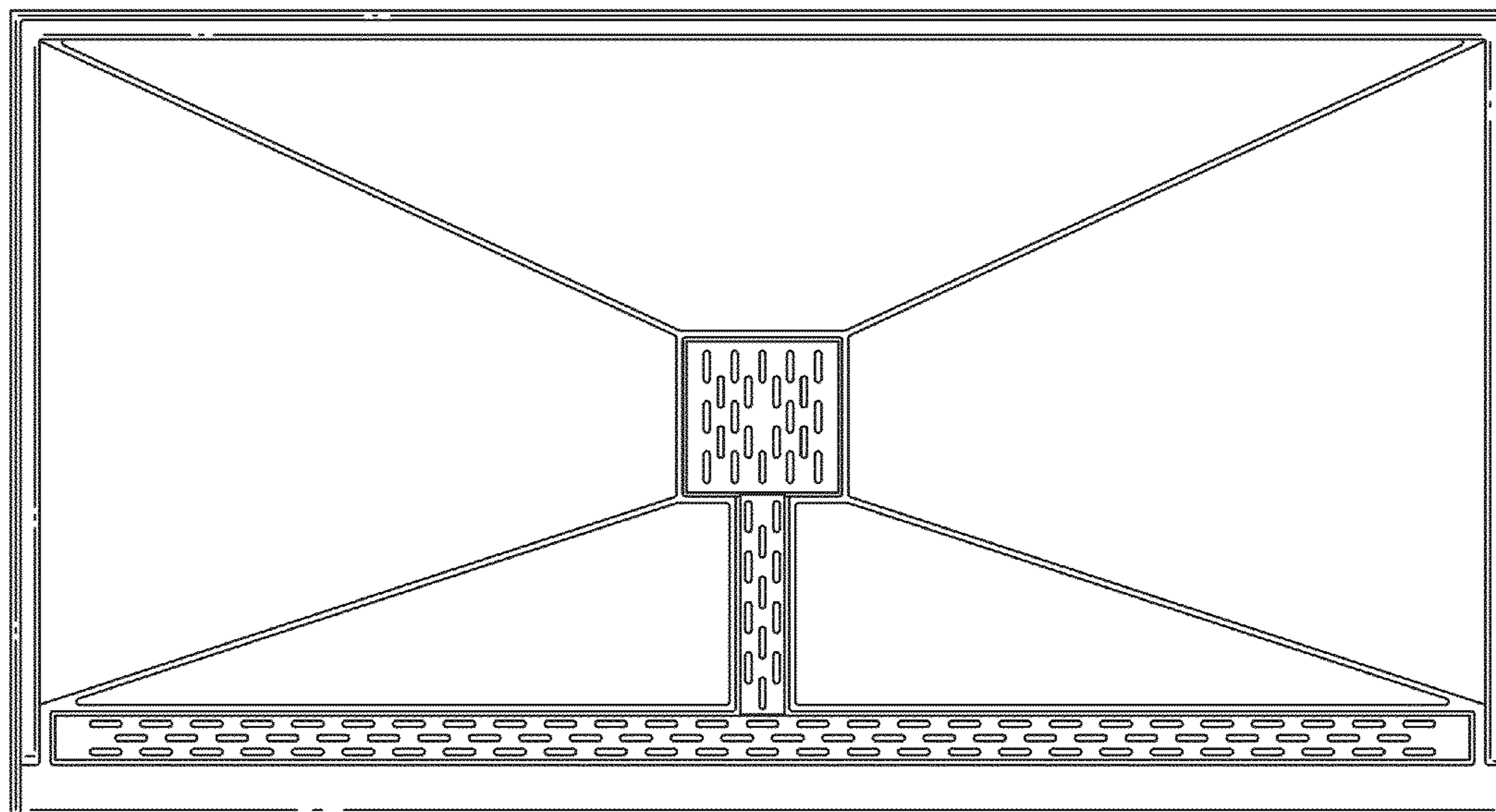
(58) **Field of Classification Search**
USPC D23/283, 303-304; 4/596, 612-613, 4/900

DESCRIPTION

FIG. 1 is a top view showing my new design; FIG. 2 is a left-side perspective view thereof; and, FIG. 3 is a right-side perspective view thereof. In FIGS. 2 and 3, the broken-line showing is for illustrative purposes only and forms no part of the claimed design.

See application file for complete search history.

1 Claim, 2 Drawing Sheets



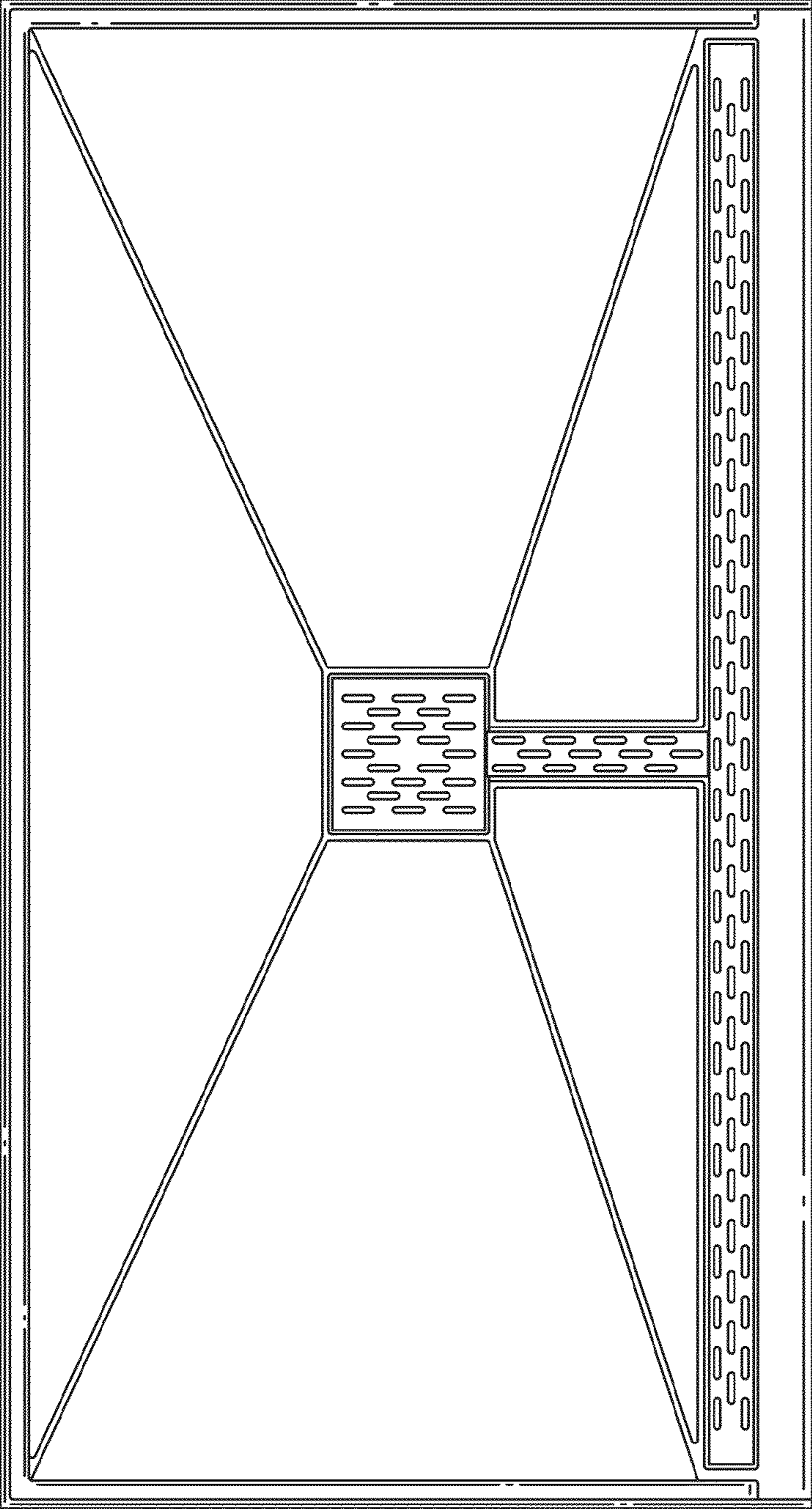


FIG. 1

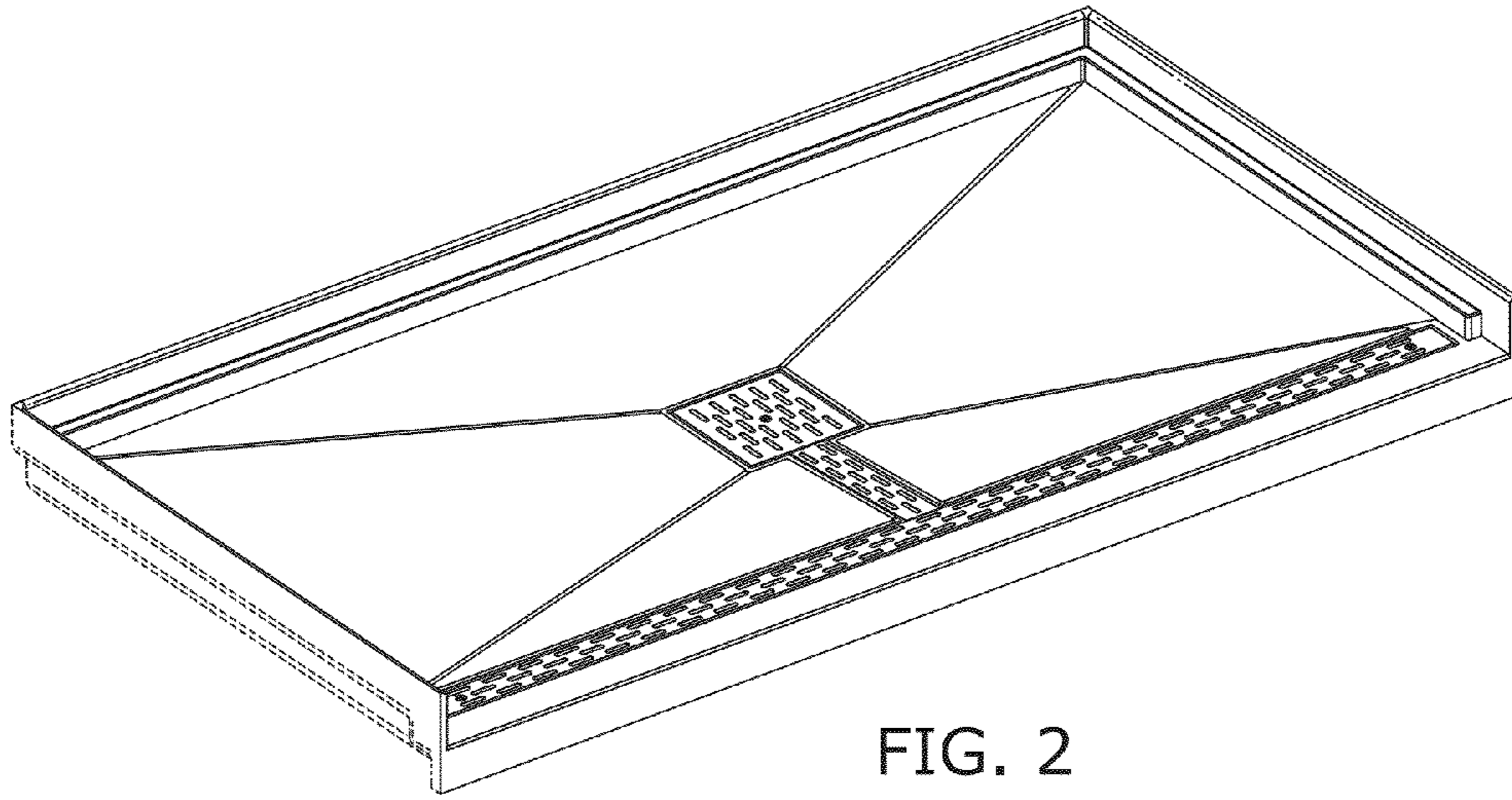


FIG. 2

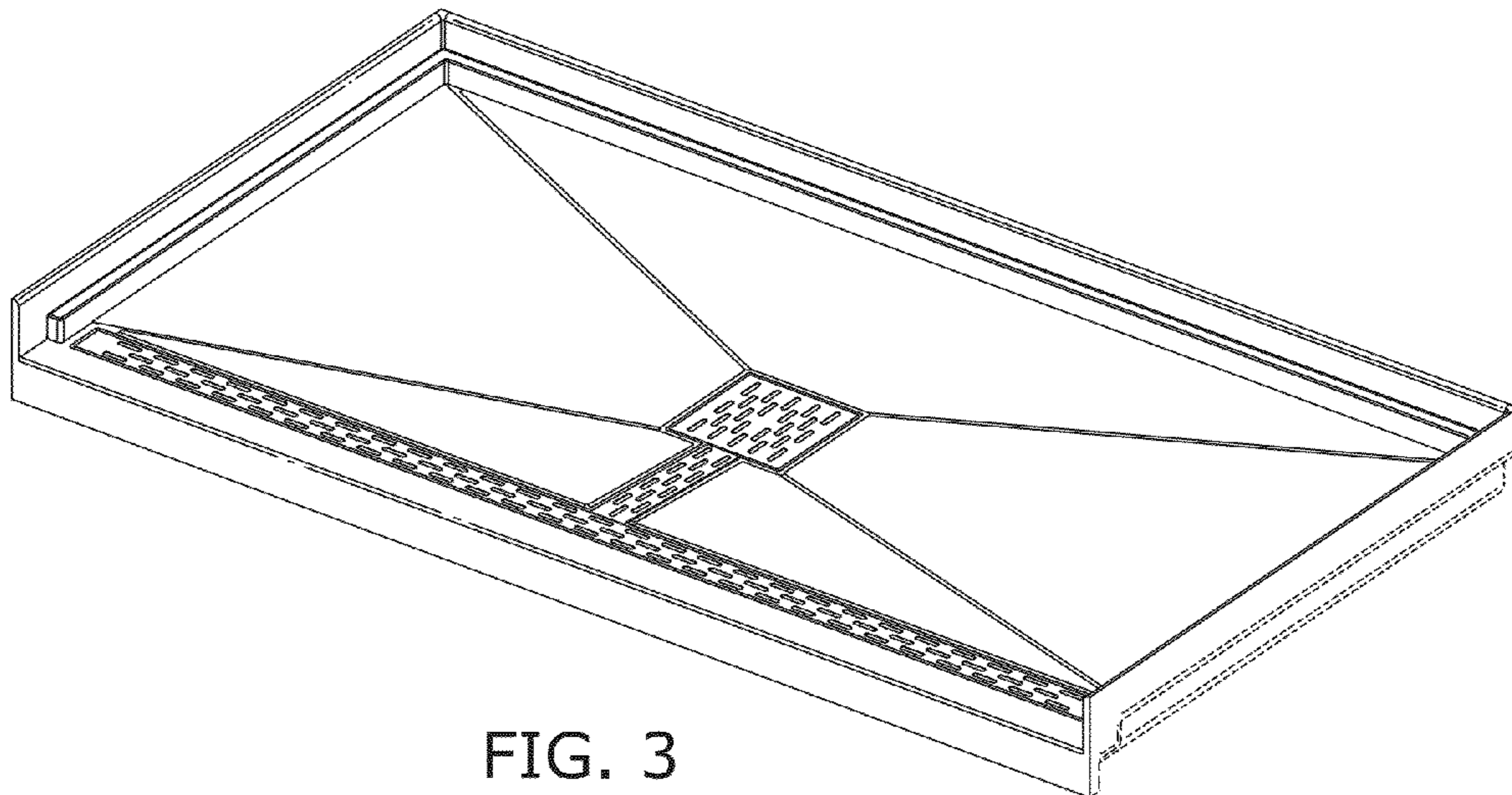


FIG. 3