



US00D692990S

(12) **United States Design Patent**
Flowers et al.

(10) **Patent No.:** **US D692,990 S**
(45) **Date of Patent:** **** Nov. 5, 2013**

(54) **SPOUT**

(71) Applicant: **Grohe AG**, Hemer (DE)
(72) Inventors: **Paul Flowers**, Duesseldorf (DE);
Antoine Besseyre des Horts,
Duesseldorf (DE)
(73) Assignee: **Grohe AG**, Hemer (DE)
(**) Term: **14 Years**

(21) Appl. No.: **29/453,264**
(22) Filed: **Apr. 26, 2013**

Related U.S. Application Data

(62) Division of application No. 29/432,940, filed on Sep. 24, 2012.

(30) **Foreign Application Priority Data**

Mar. 22, 2012 (EM) 002013425-0013

(51) **LOC (9) Cl.** **23-01**

(52) **U.S. Cl.**
USPC **D23/255**

(58) **Field of Classification Search**
USPC D23/238-242, 255, 257; 4/675-678;
137/801

See application file for complete search history.

(56) **References Cited**

U.S. PATENT DOCUMENTS

D520,607 S *	5/2006	Koury et al.	D23/255
D567,912 S *	4/2008	Juratovac et al.	D23/255
D580,022 S *	11/2008	Gilbert	D23/255
D581,498 S *	11/2008	Dolan	D23/255
D592,286 S *	5/2009	Berberet	D23/255
D604,808 S *	11/2009	Williams	D23/255
D645,123 S *	9/2011	Corbett	D23/255

* cited by examiner

Primary Examiner — Robert Delehanty

(74) *Attorney, Agent, or Firm* — Muncy, Geissler, Olds & Lowe, PLLC

(57) **CLAIM**

The ornamental design for a spout, as shown and described.

DESCRIPTION

FIG. 1 is a left side elevational view of a spout according to the present invention.

FIG. 2 is a right side elevational view of the spout of FIG. 1.

FIG. 3 is a front elevational view of the spout of FIG. 1.

FIG. 4 is a rear elevational view of the spout of FIG. 1.

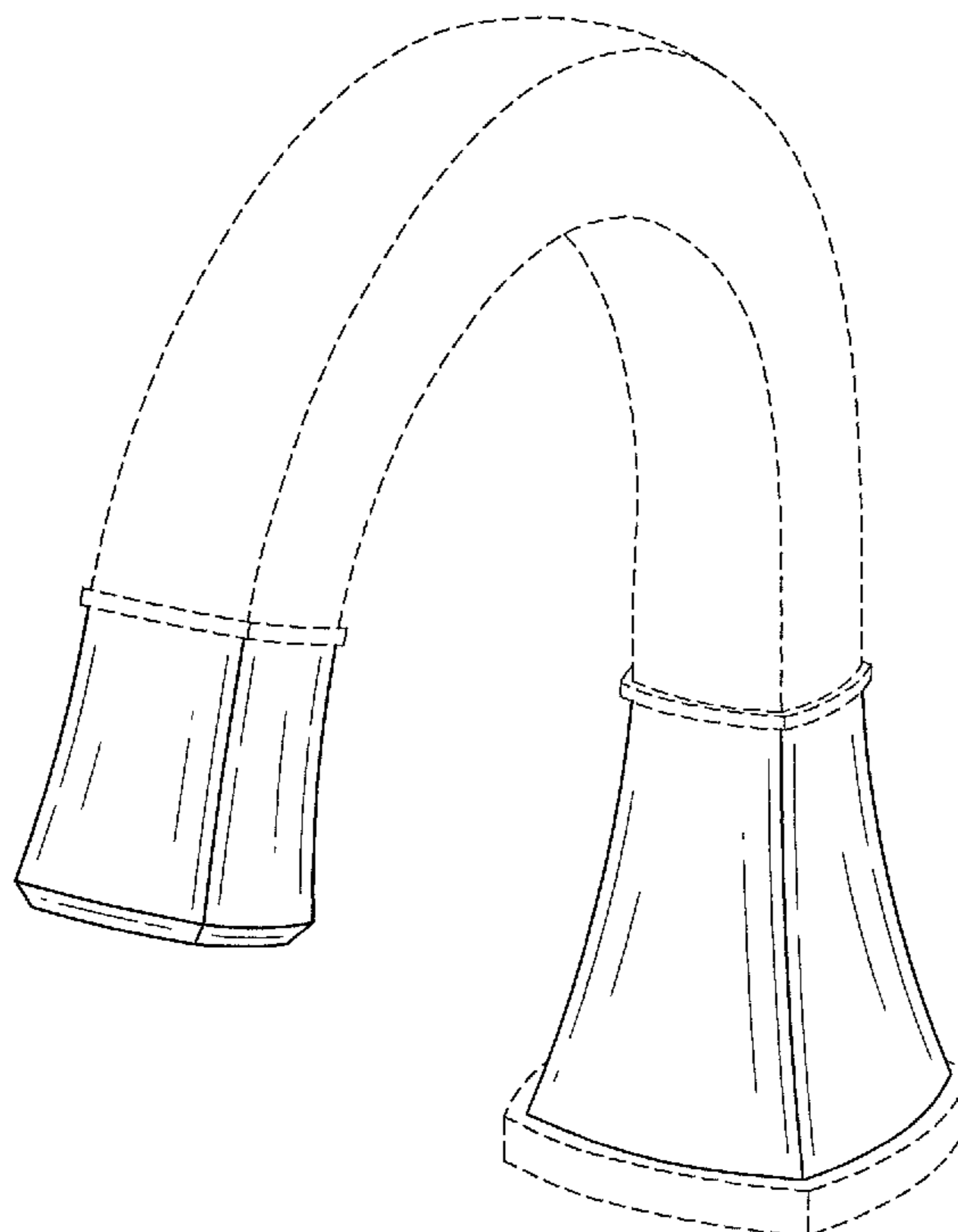
FIG. 5 is a top plan view of the spout of FIG. 1.

FIG. 6 is a bottom plan view of the spout of FIG. 1; and,

FIG. 7 is a perspective view of the spout of FIG. 1.

The dashed lines illustrate environment that does not form a part of the present invention, and no claim is made to the material illustrated with dashed lines.

1 Claim, 7 Drawing Sheets



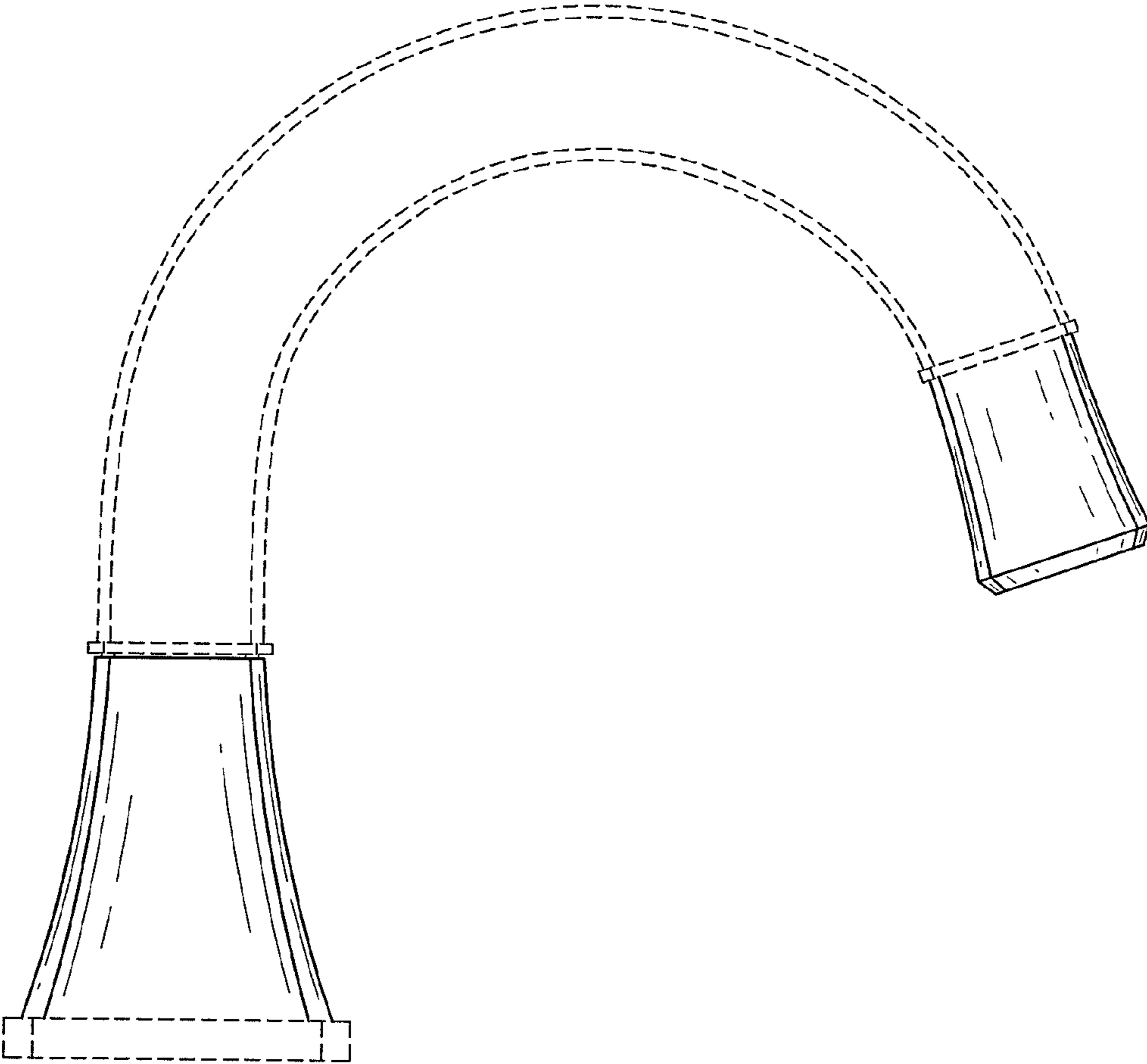


FIG.1

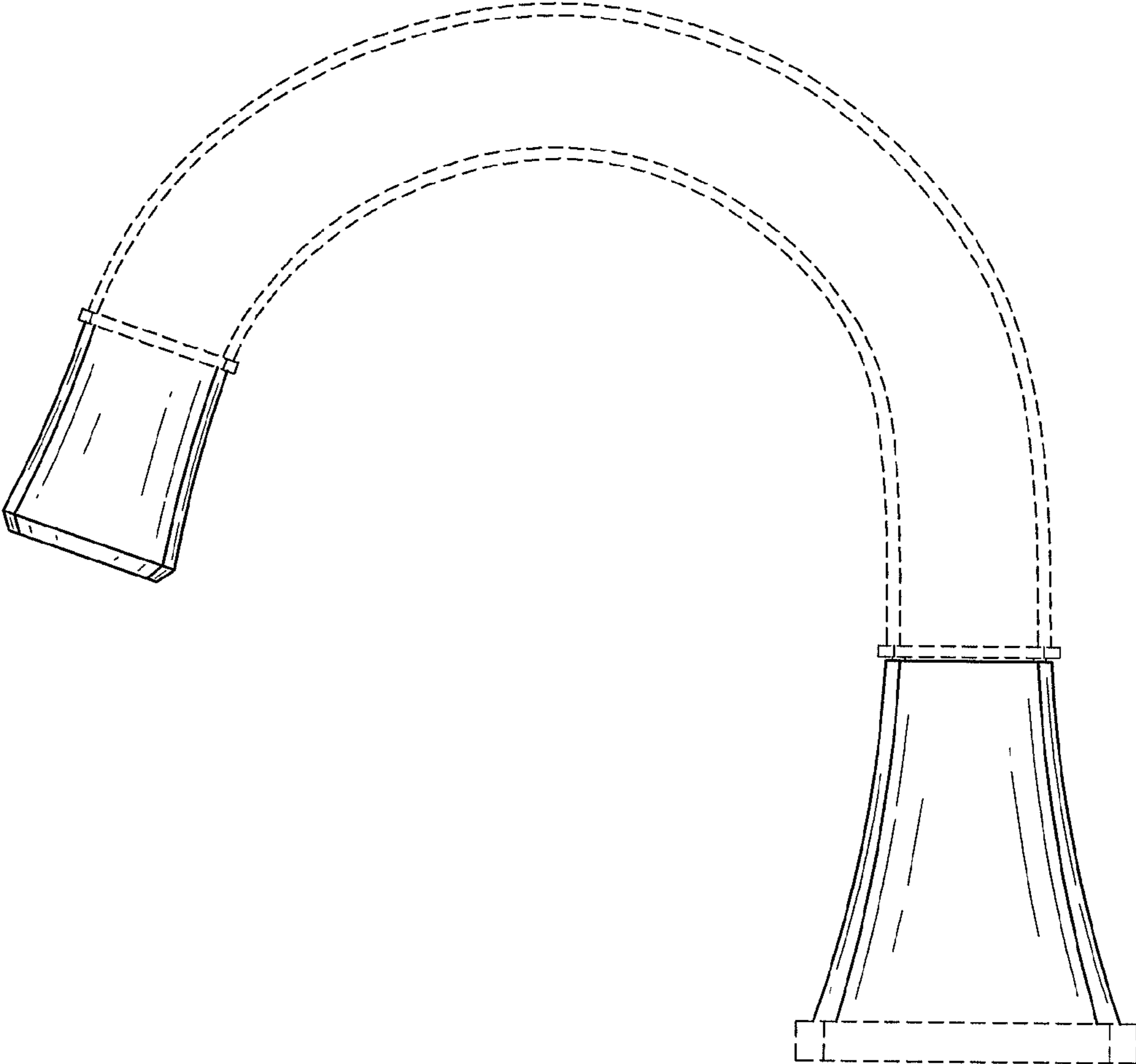


FIG.2

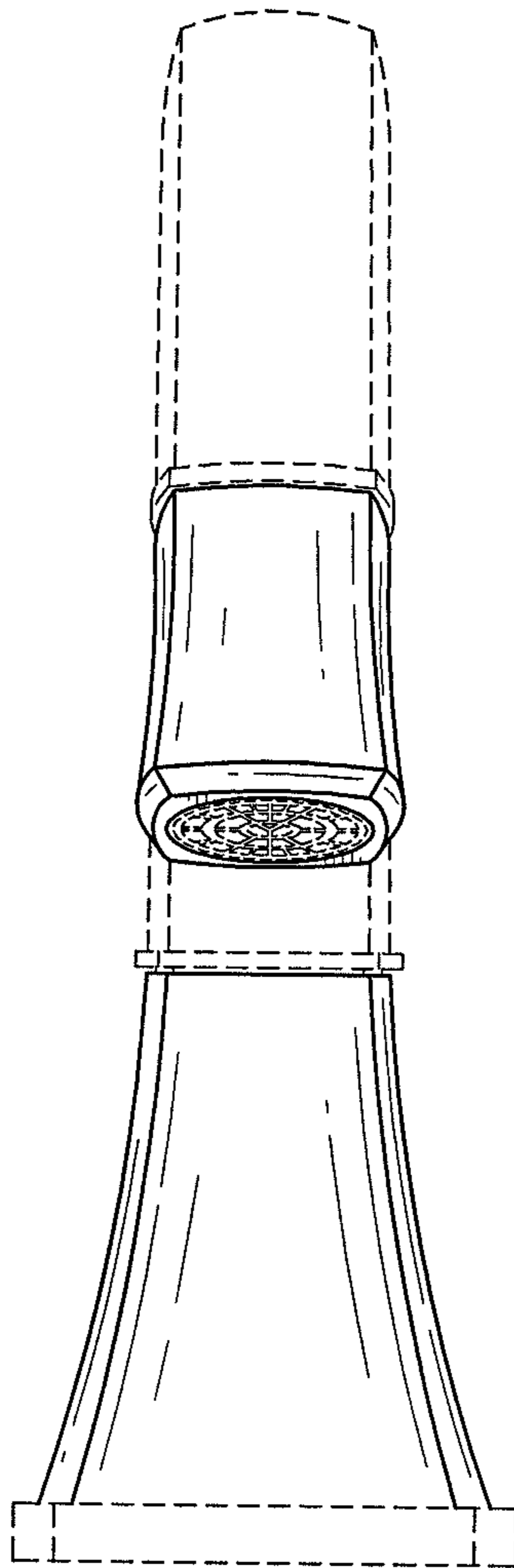


FIG.3

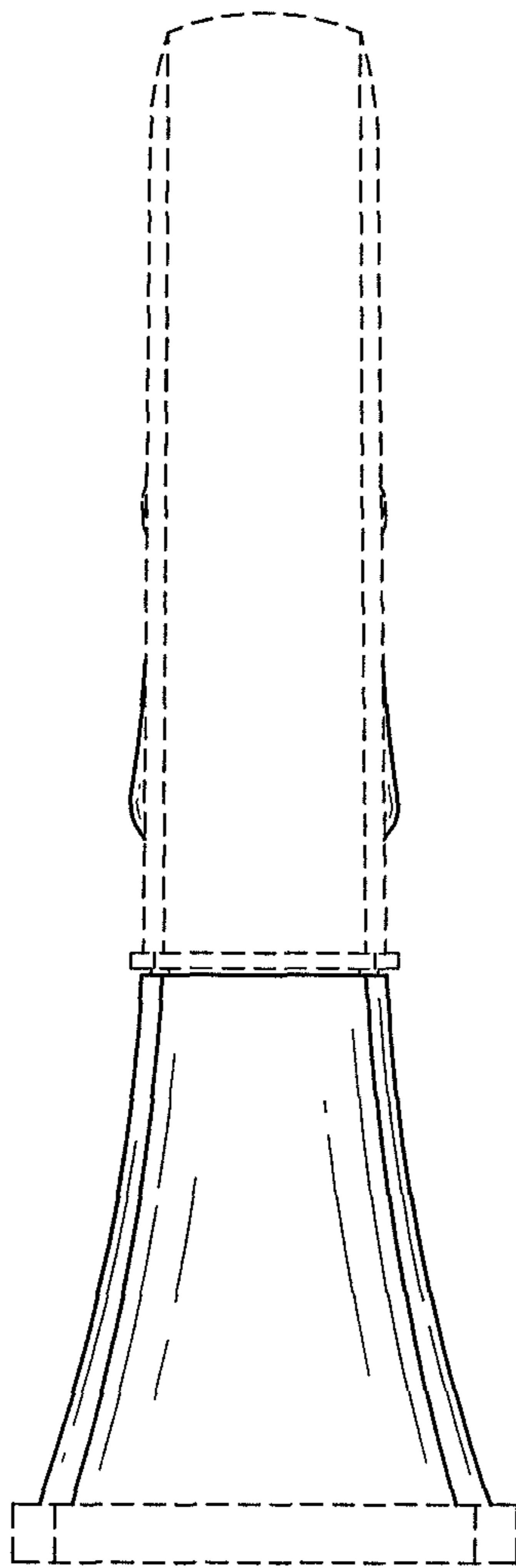


FIG.4

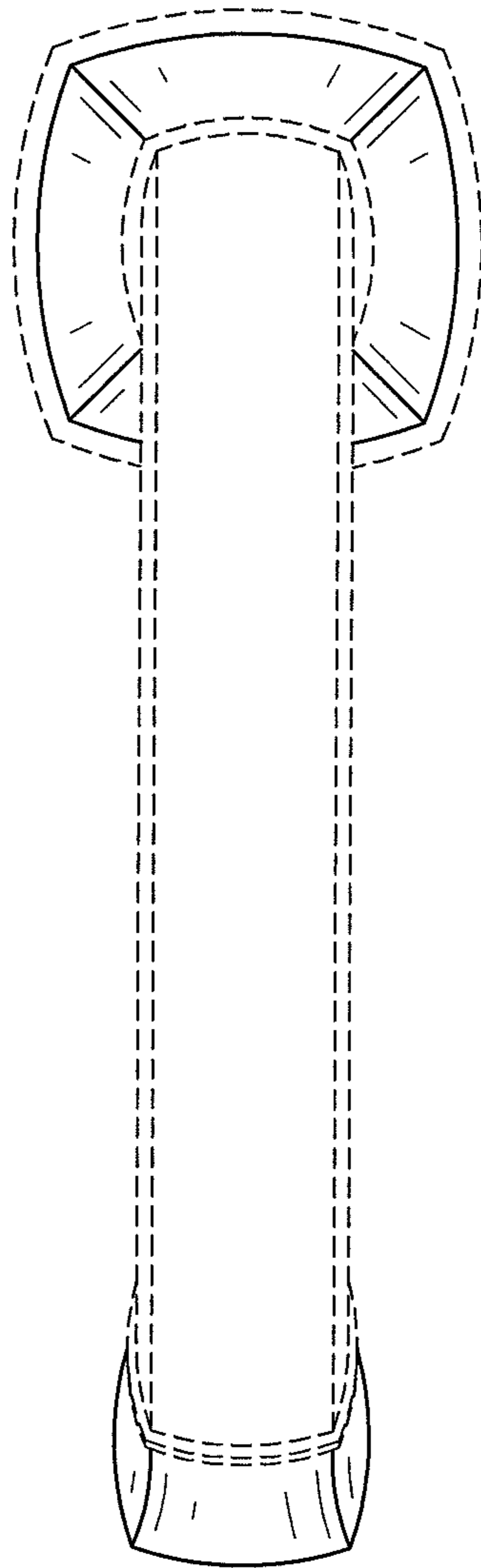


FIG.5

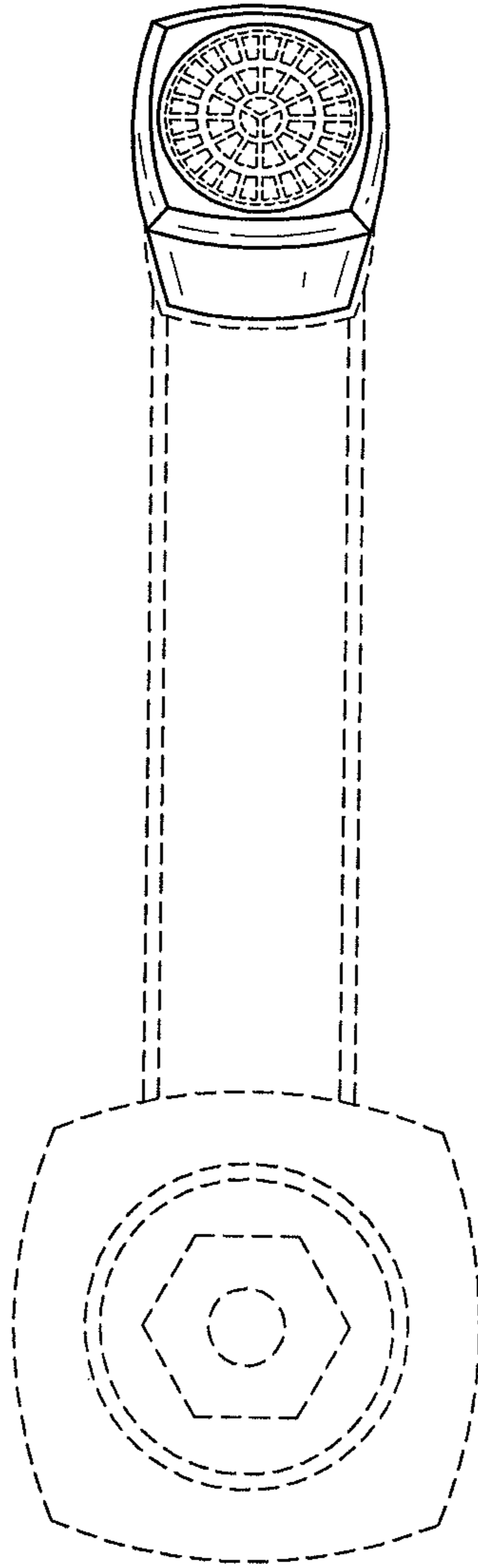


FIG.6

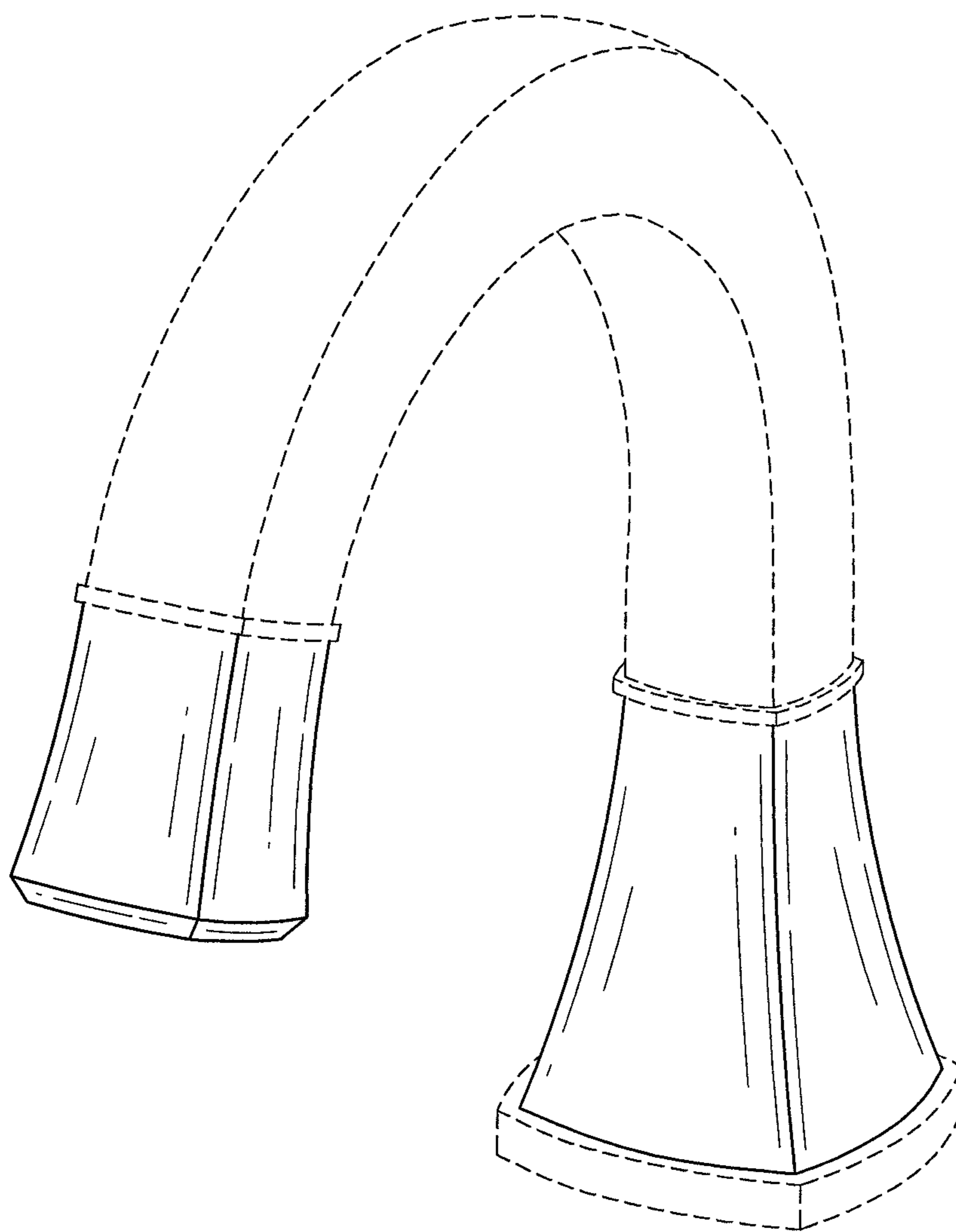


FIG.7