

US00D692989S

(12) **United States Design Patent**
Flowers et al.

(10) **Patent No.:** **US D692,989 S**
(45) **Date of Patent:** **** Nov. 5, 2013**

(54) **FAUCET**

(56) **References Cited**

(71) Applicant: **Grohe AG**, Hemer (DE)

U.S. PATENT DOCUMENTS

(72) Inventors: **Paul Flowers**, Duesseldorf (DE);
Antoine Besseyre Des Horts,
Duesseldorf (DE)

D461,529 S *	8/2002	Gottwald	D23/242
D479,740 S *	9/2003	Citterio	D23/242
D616,069 S *	5/2010	Krause	D23/239
D640,353 S *	6/2011	Gao et al.	D23/255
D681,168 S *	4/2013	Romero et al.	D23/238

(73) Assignee: **Grohe AG**, Hemer (DE)

* cited by examiner

(**) Term: **14 Years**

Primary Examiner — Robert Delehanty

(21) Appl. No.: **29/448,071**

(74) *Attorney, Agent, or Firm* — Muncy, Geissler, Olds & Lowe, PLLC

(22) Filed: **Mar. 8, 2013**

(57) **CLAIM**

The ornamental design for a faucet, as shown and described.

(30) **Foreign Application Priority Data**

DESCRIPTION

Sep. 14, 2012 (EM) 002103192-0001

(51) **LOC (9) Cl.** **23-01**

(52) **U.S. Cl.**
USPC **D23/238**

(58) **Field of Classification Search**
USPC D23/238-240, 250, 252, 255, 257;
4/675-678; 137/801

FIG. 1 is a left side elevational view of a faucet according to a first embodiment of the present invention.

FIG. 2 is a right side elevational view of the faucet of FIG. 1.

FIG. 3 is a front elevational view of the faucet of FIG. 1.

FIG. 4 is a rear elevational view of the faucet of FIG. 1.

FIG. 5 is a top plan view of the faucet of FIG. 1.

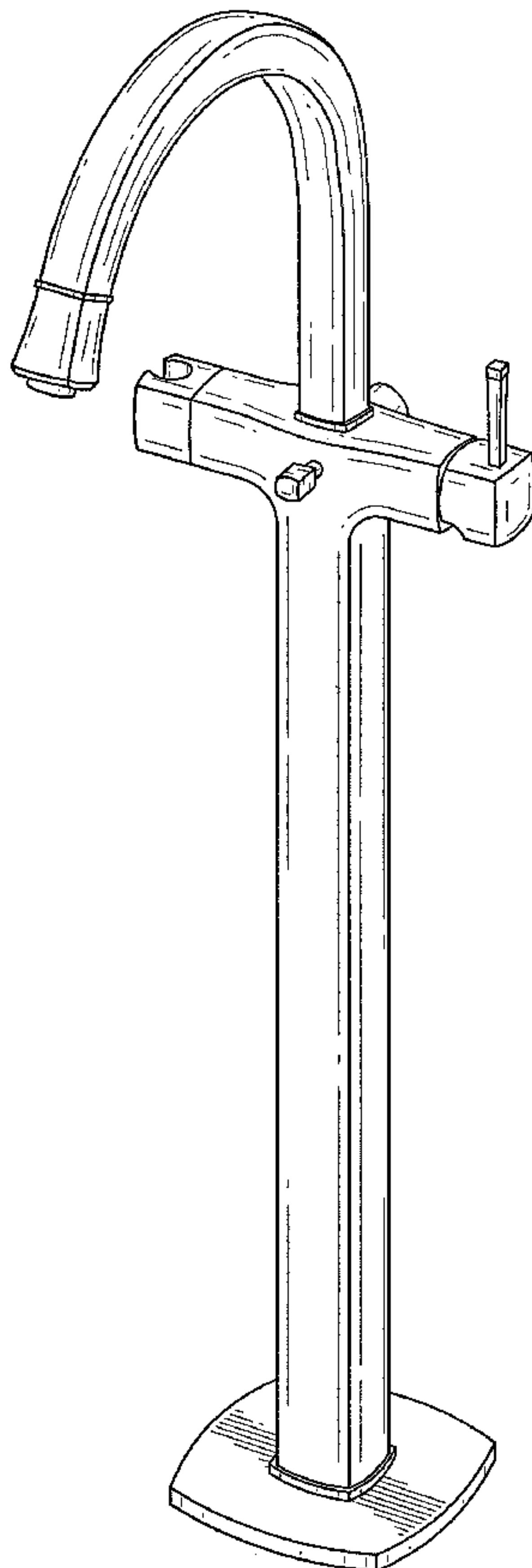
FIG. 6 is a bottom plan view of the faucet of FIG. 1; and,

FIG. 7 is a perspective view of the faucet of FIG. 1.

The dashed lines illustrate environment that does not form a part of the present invention, and no claim is made to the material illustrated with dashed lines.

See application file for complete search history.

1 Claim, 7 Drawing Sheets



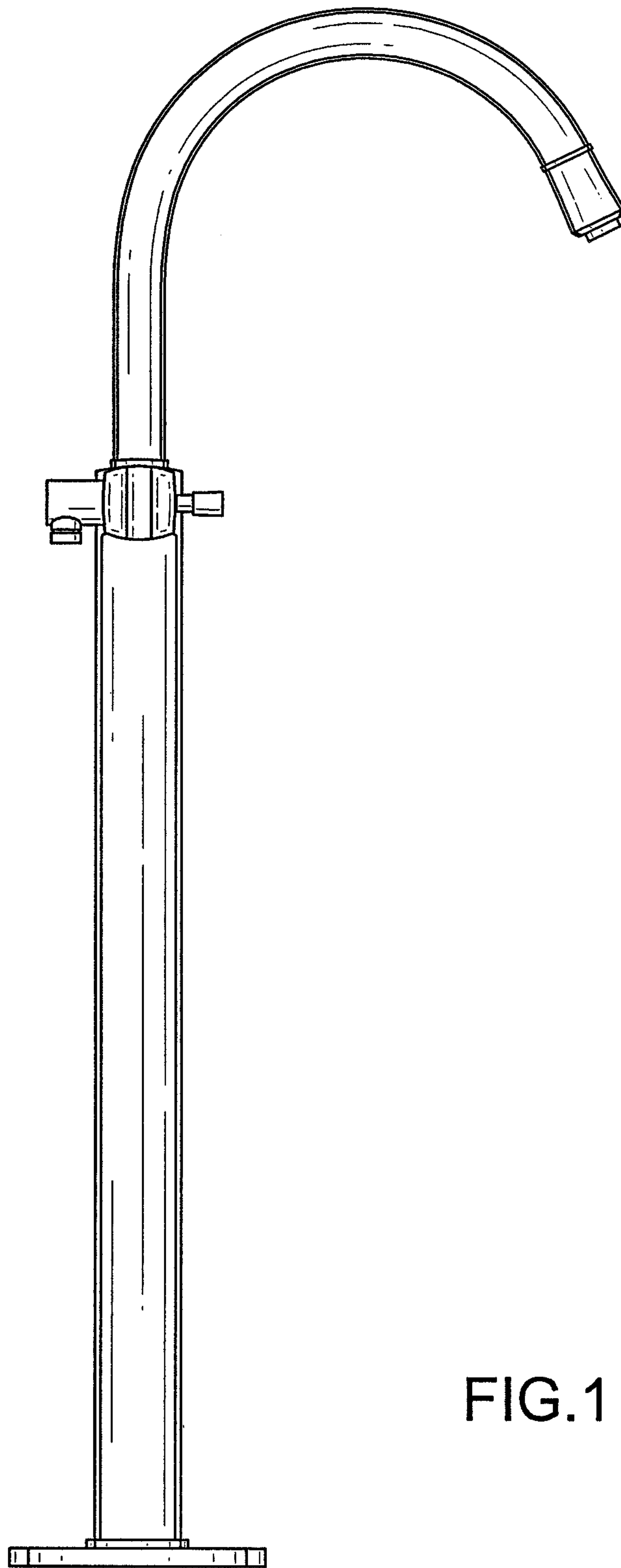


FIG. 1

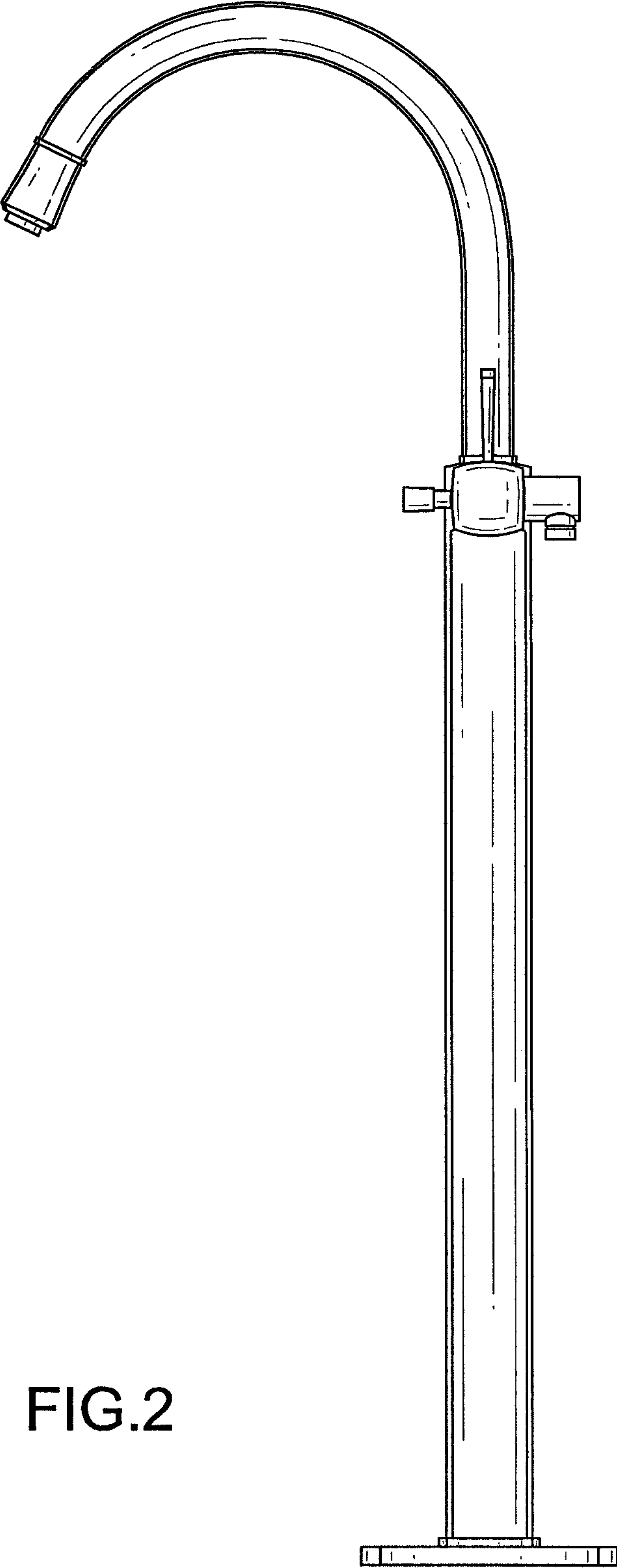


FIG.2

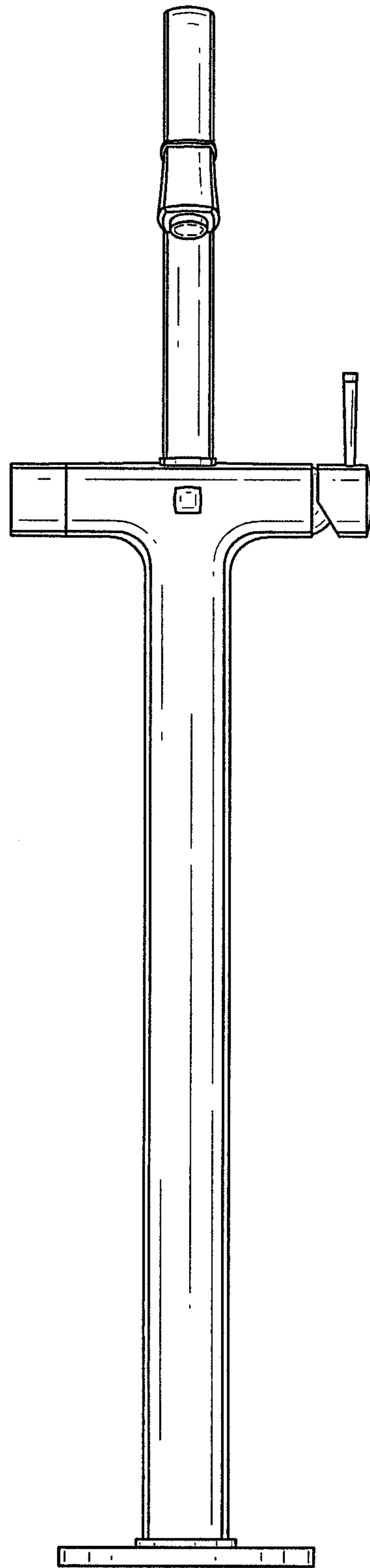


FIG.3

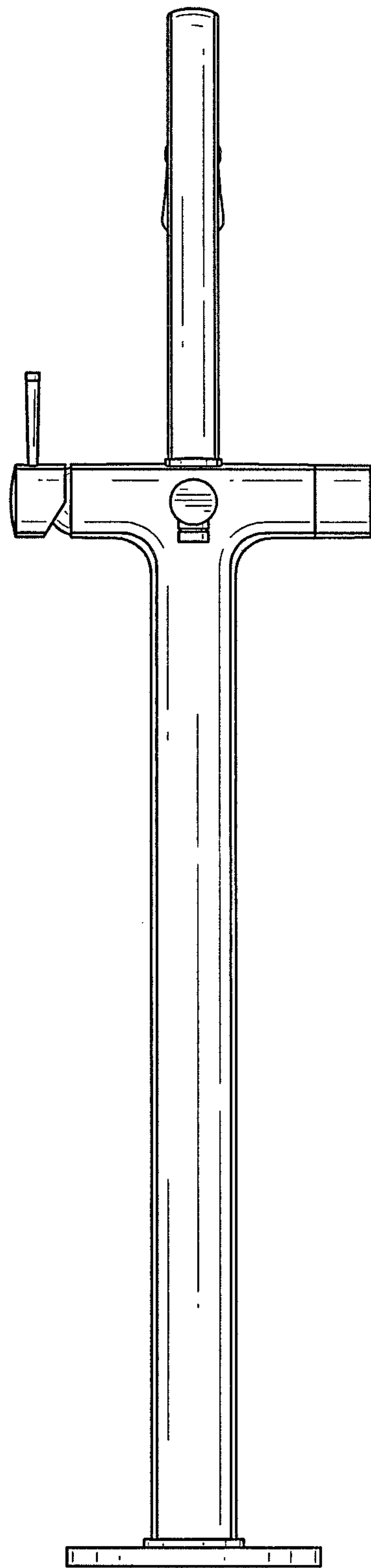


FIG.4

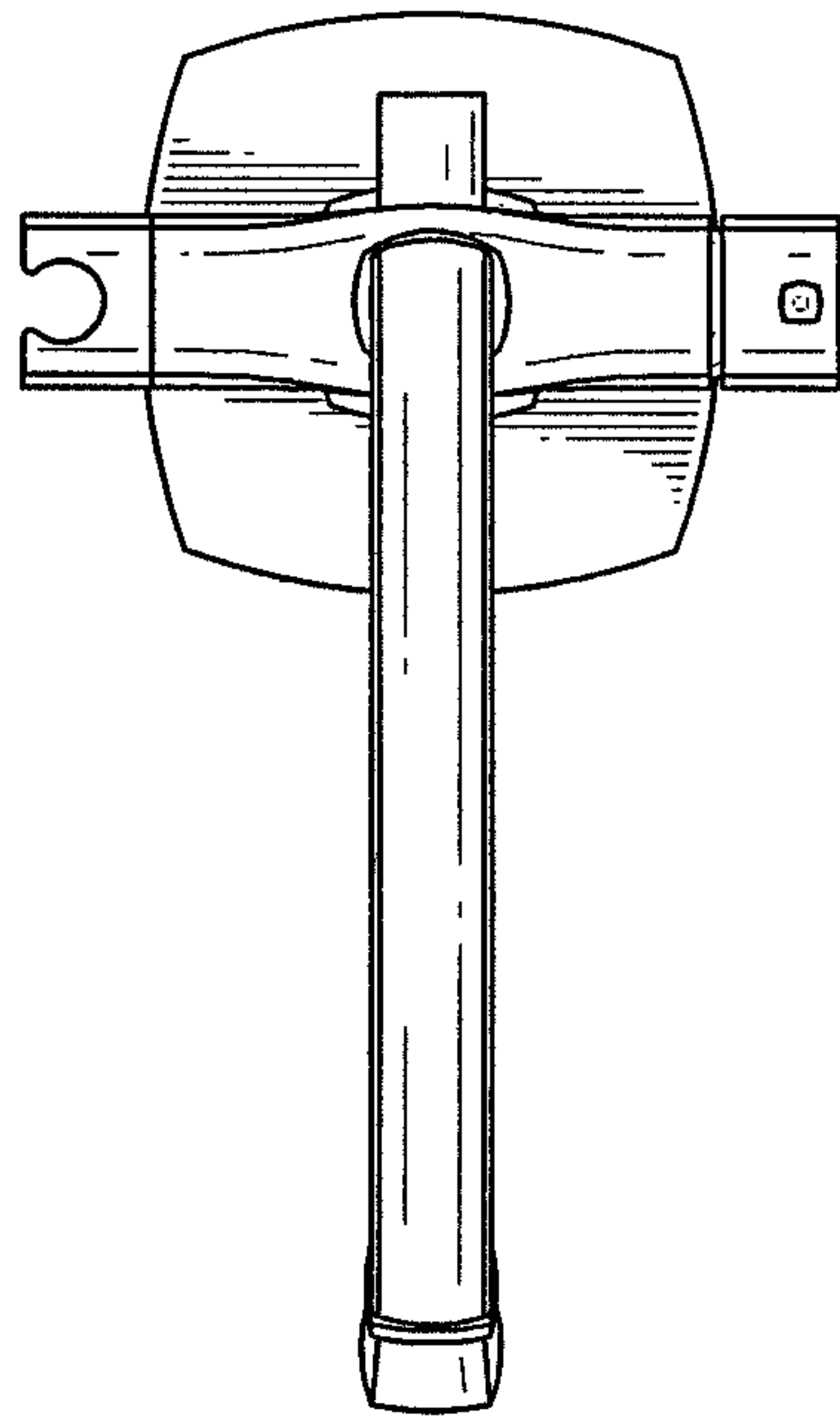


FIG.5

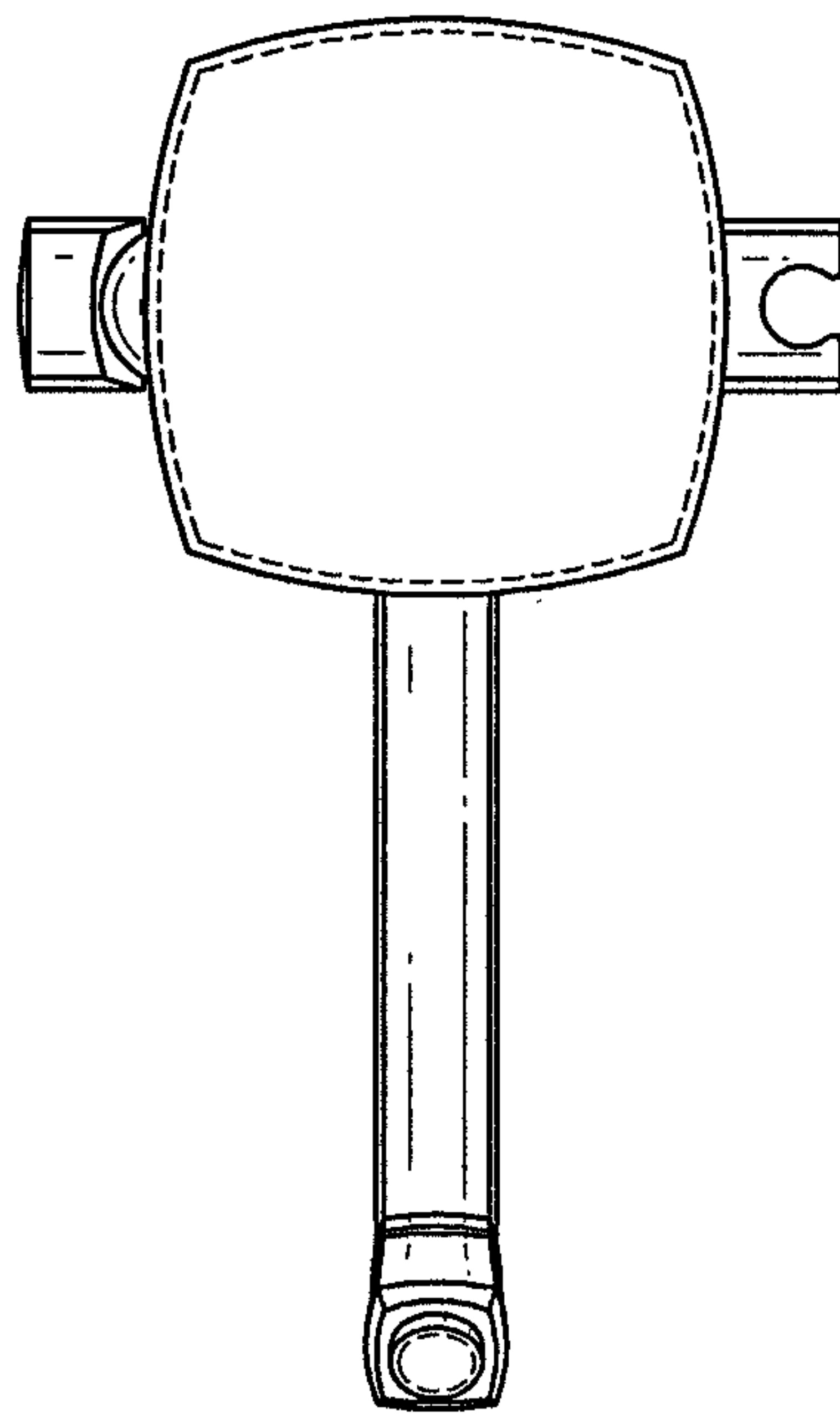


FIG.6

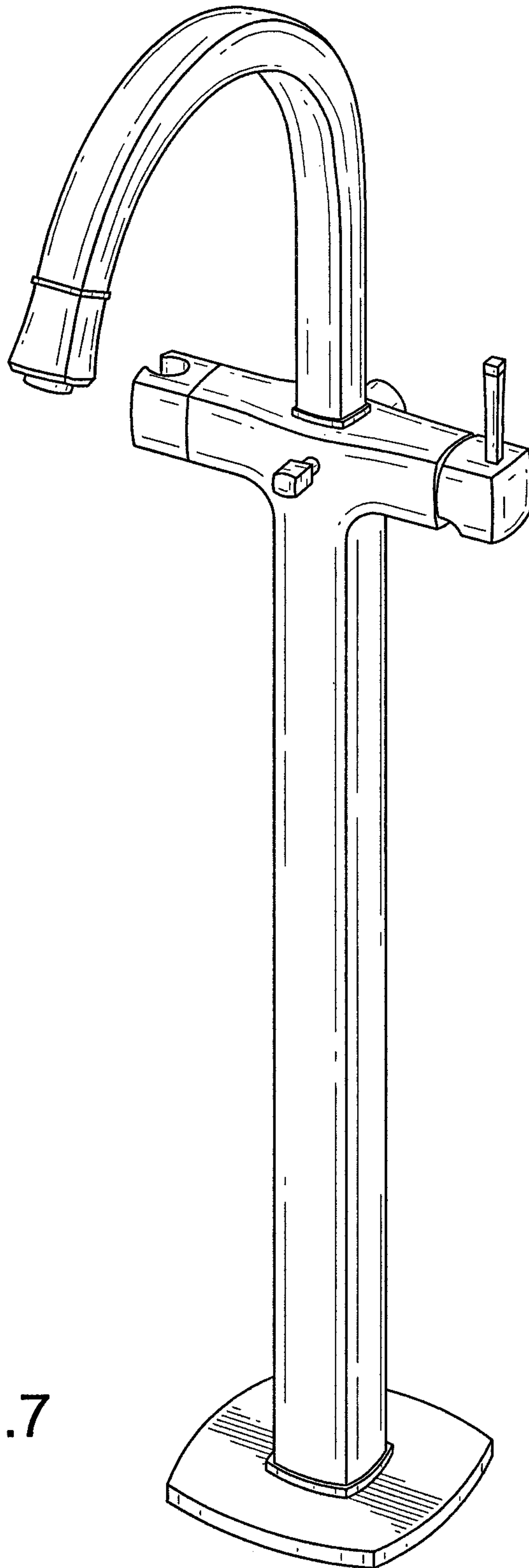


FIG. 7