



US00D692986S

(12) **United States Design Patent**
Flowers et al.

(10) **Patent No.:** **US D692,986 S**
(45) **Date of Patent:** **** Nov. 5, 2013**

(54) **FAUCET**

D527,076 S * 8/2006 Kolin et al. D23/241
D615,628 S * 5/2010 Allard D23/255
D646,354 S * 10/2011 Gessi D23/238

(75) Inventors: **Paul Flowers**, Duesseldorf (DE); **Ralf Begerow**, Hemer (DE)

FOREIGN PATENT DOCUMENTS

(73) Assignee: **Grohe AG**, Hemer (DE)

EM 001826561-0002 2/2011

(**) Term: **14 Years**

* cited by examiner

(21) Appl. No.: **29/423,423**

Primary Examiner — Robert Delehanty

(22) Filed: **May 31, 2012**

(74) *Attorney, Agent, or Firm* — Muncy, Geissler, Olds & Lowe, PLLC

(30) **Foreign Application Priority Data**

(57) **CLAIM**

Dec. 7, 2011 (EM) 001958943-0002

The ornamental design for a faucet, as shown and described.

(51) **LOC (9) Cl.** **23-01**

DESCRIPTION

(52) **U.S. Cl.**
USPC **D23/238**

(58) **Field of Classification Search**
USPC D23/238, 241–243, 250, 252, 255, 257;
4/675–678; 137/801
See application file for complete search history.

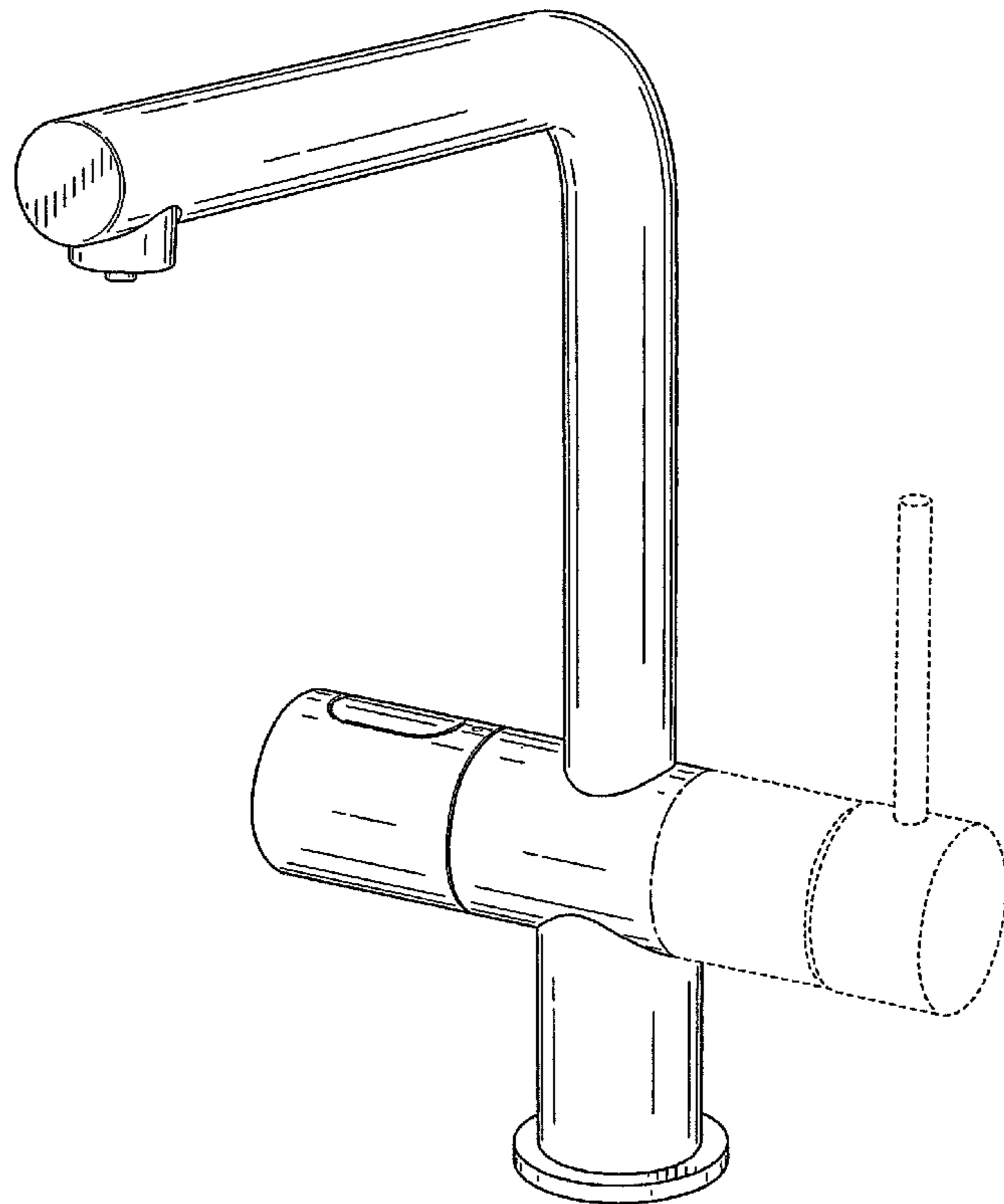
FIG. 1 is a left side elevational view of a faucet according to the present invention.
FIG. 2 is a right side elevational view of the faucet of FIG. 1.
FIG. 3 is a front elevational view of the faucet of FIG. 1.
FIG. 4 is a rear elevational view of the faucet of FIG. 1.
FIG. 5 is a top plan view of the faucet of FIG. 1.
FIG. 6 is a bottom plan view of the faucet of FIG. 1; and,
FIG. 7 is a perspective view of the faucet of FIG. 1.
The dashed lines illustrate environment that does not form a part of the present invention, and no claim is made to the material illustrated with dashed lines.

(56) **References Cited**

U.S. PATENT DOCUMENTS

D331,275 S * 11/1992 Knapp D23/238
D428,965 S * 8/2000 Slothower D23/238
D440,634 S * 4/2001 Fleischmann D23/241
D481,445 S * 10/2003 Haug et al. D23/238

1 Claim, 7 Drawing Sheets



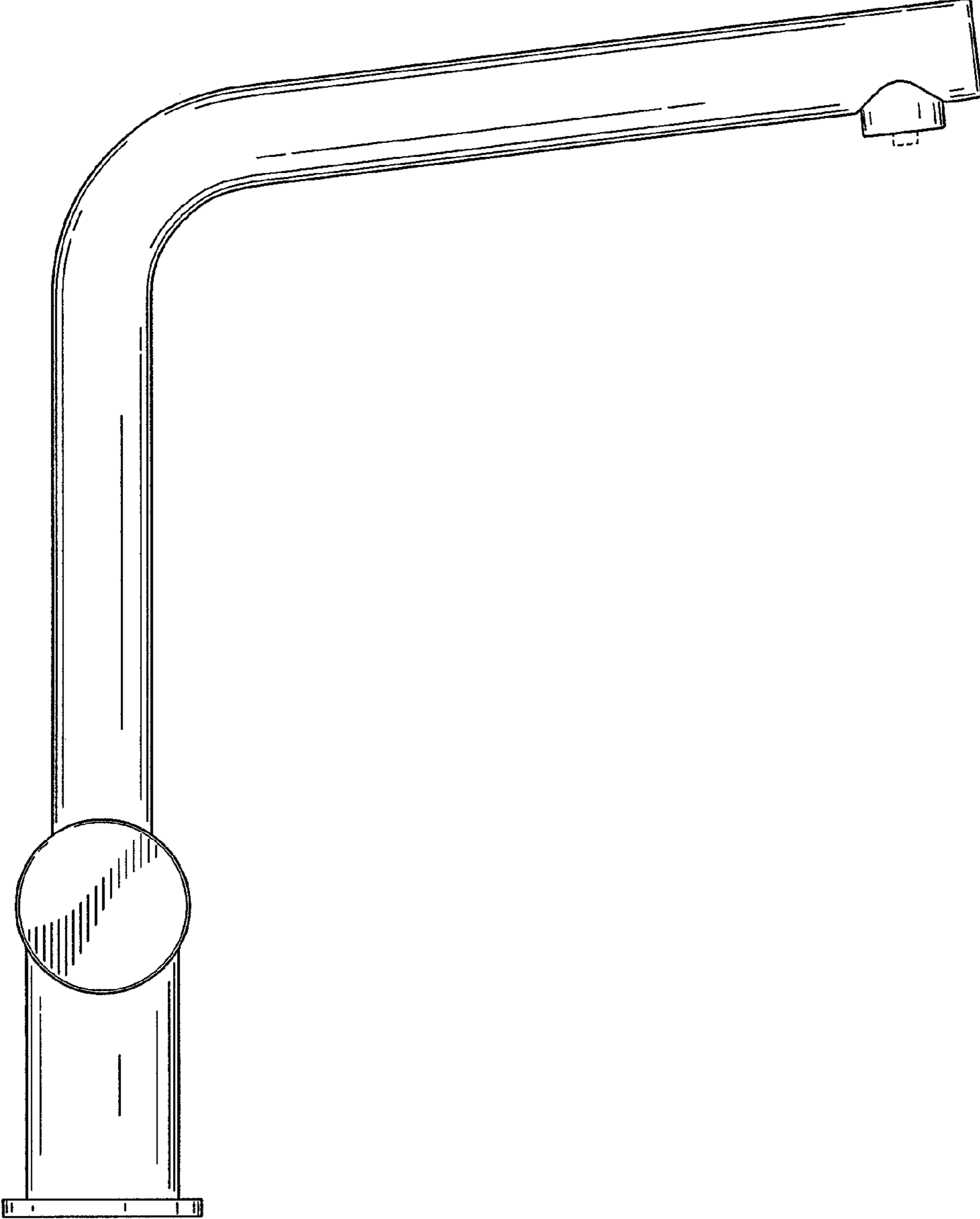


FIG. 1

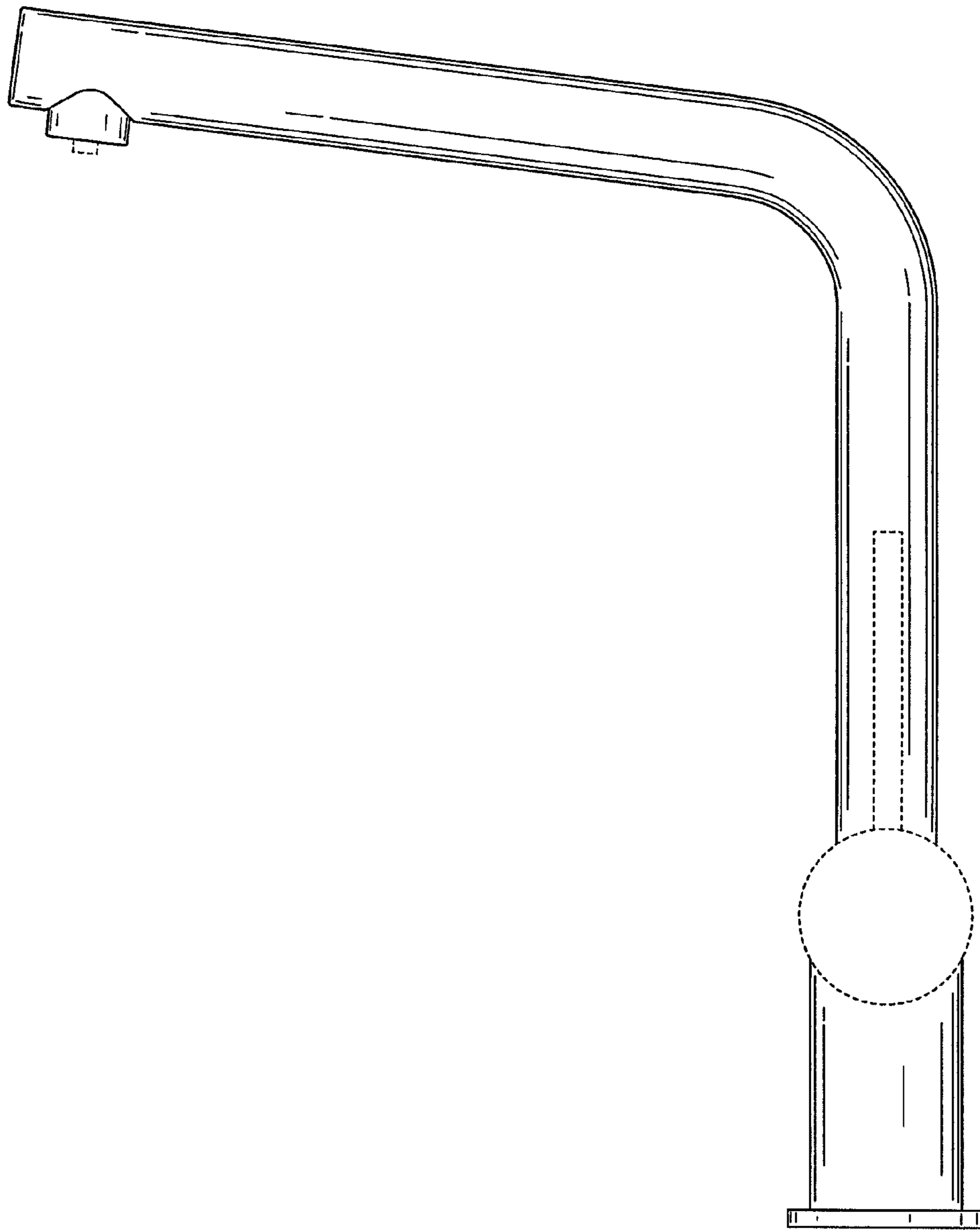


FIG. 2

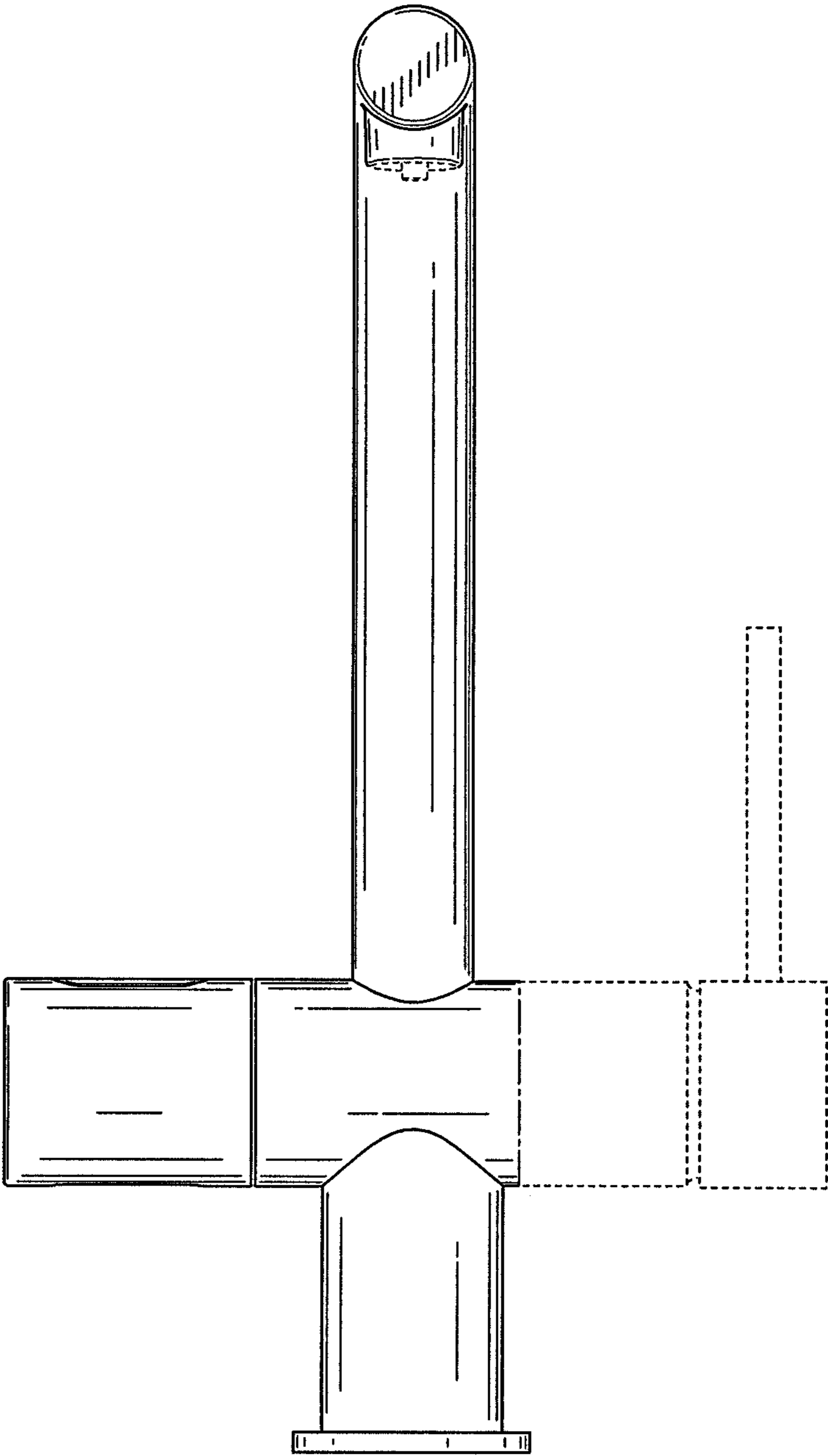


FIG. 3

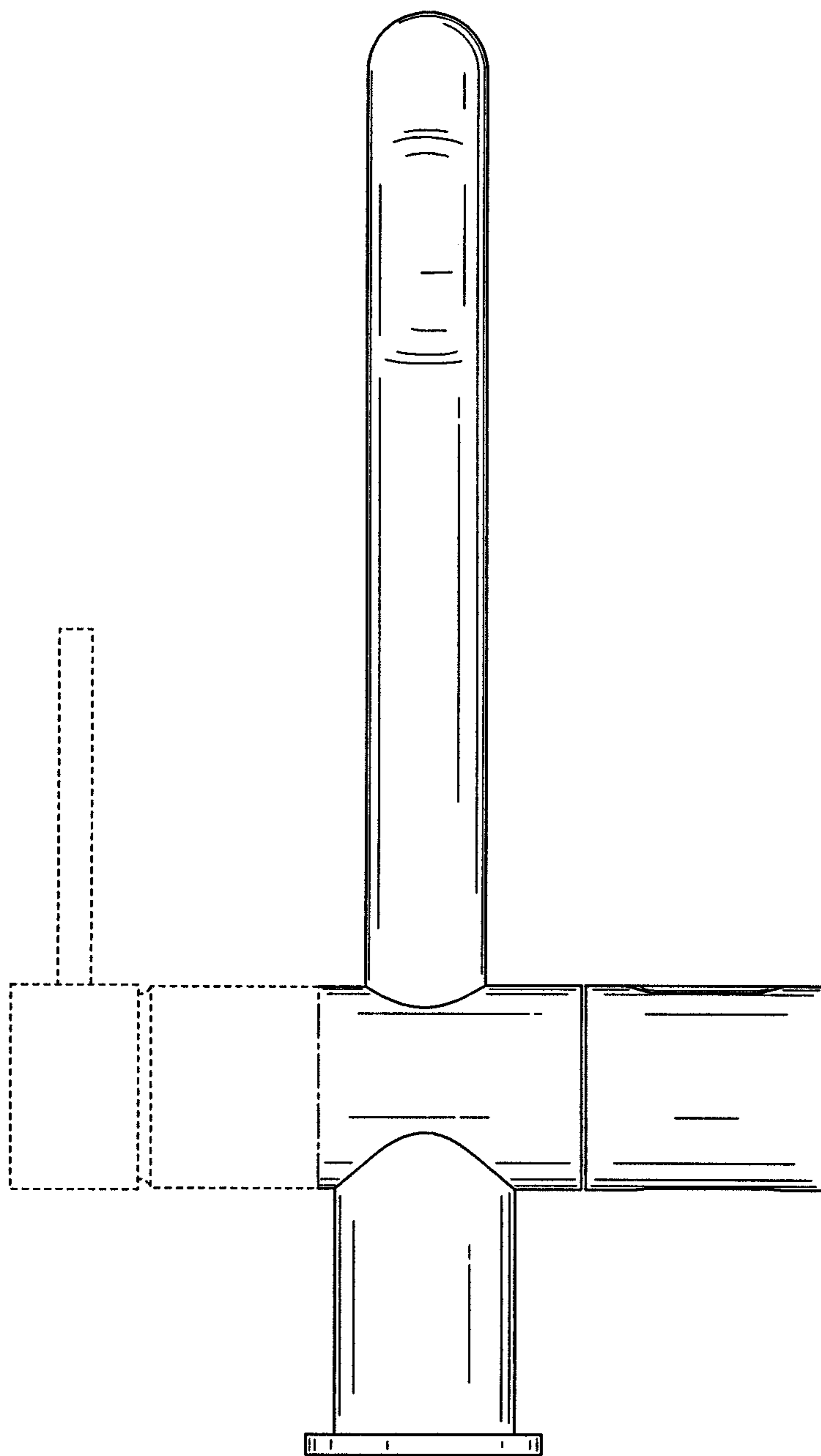


FIG. 4

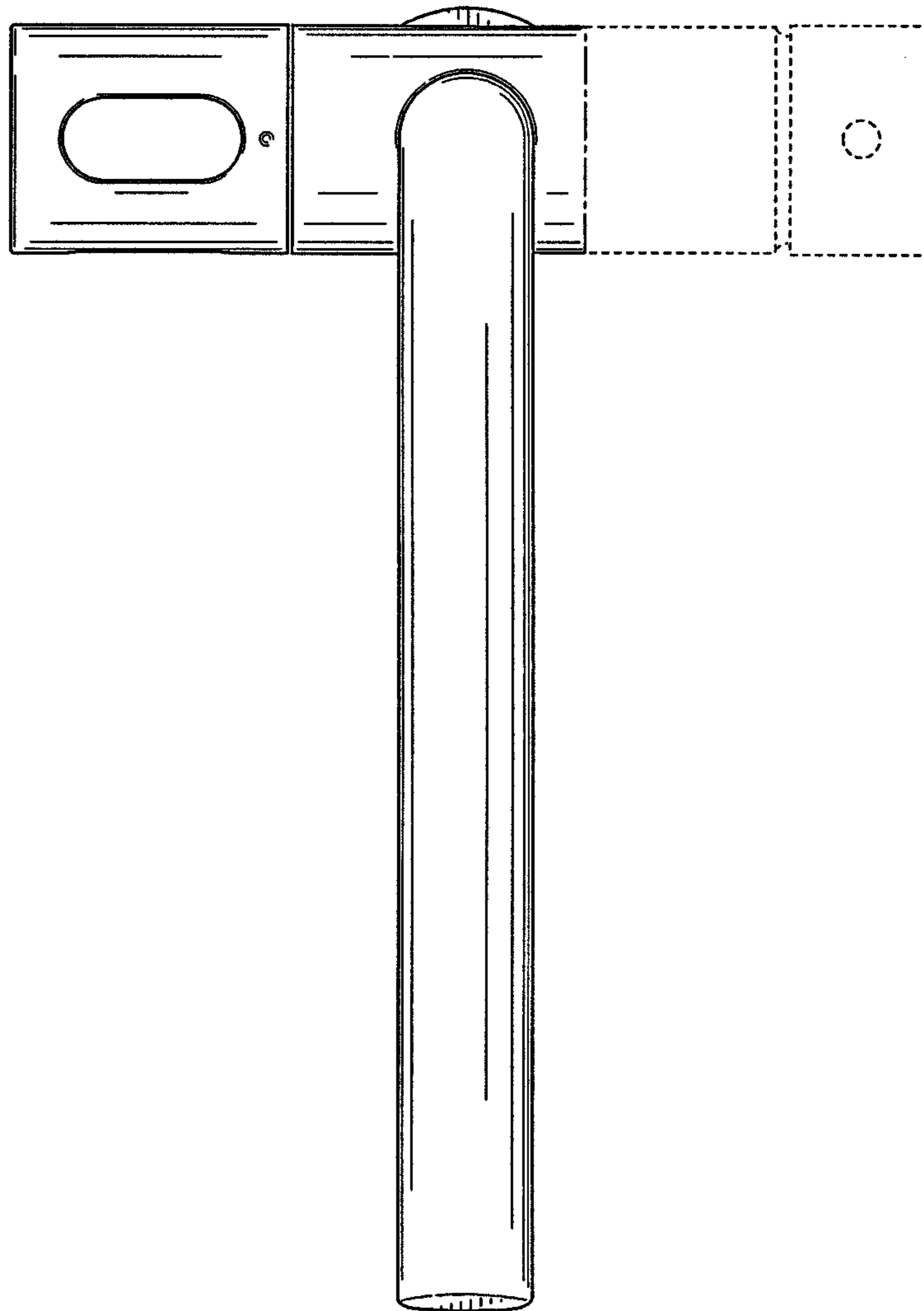


FIG. 5

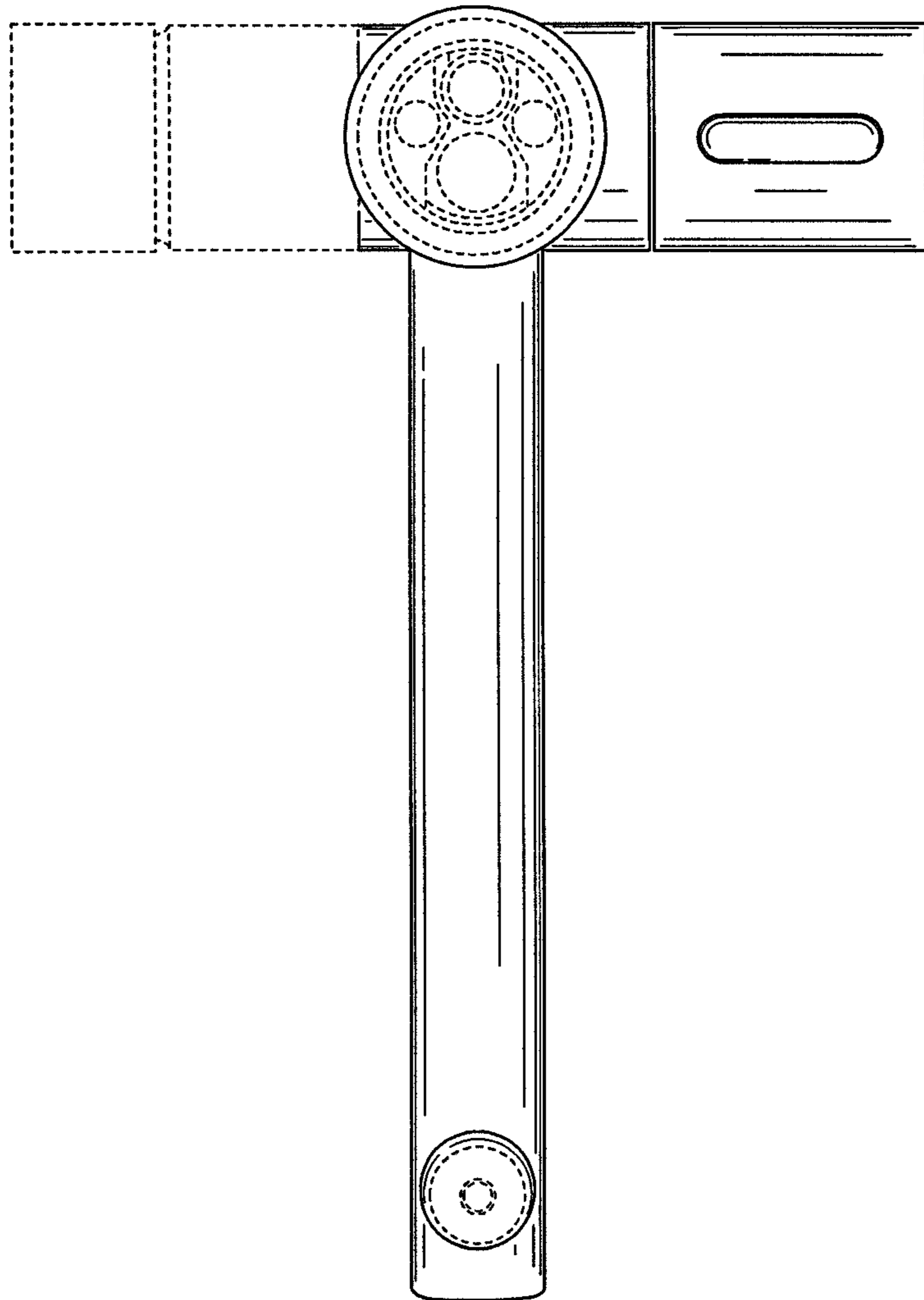


FIG. 6

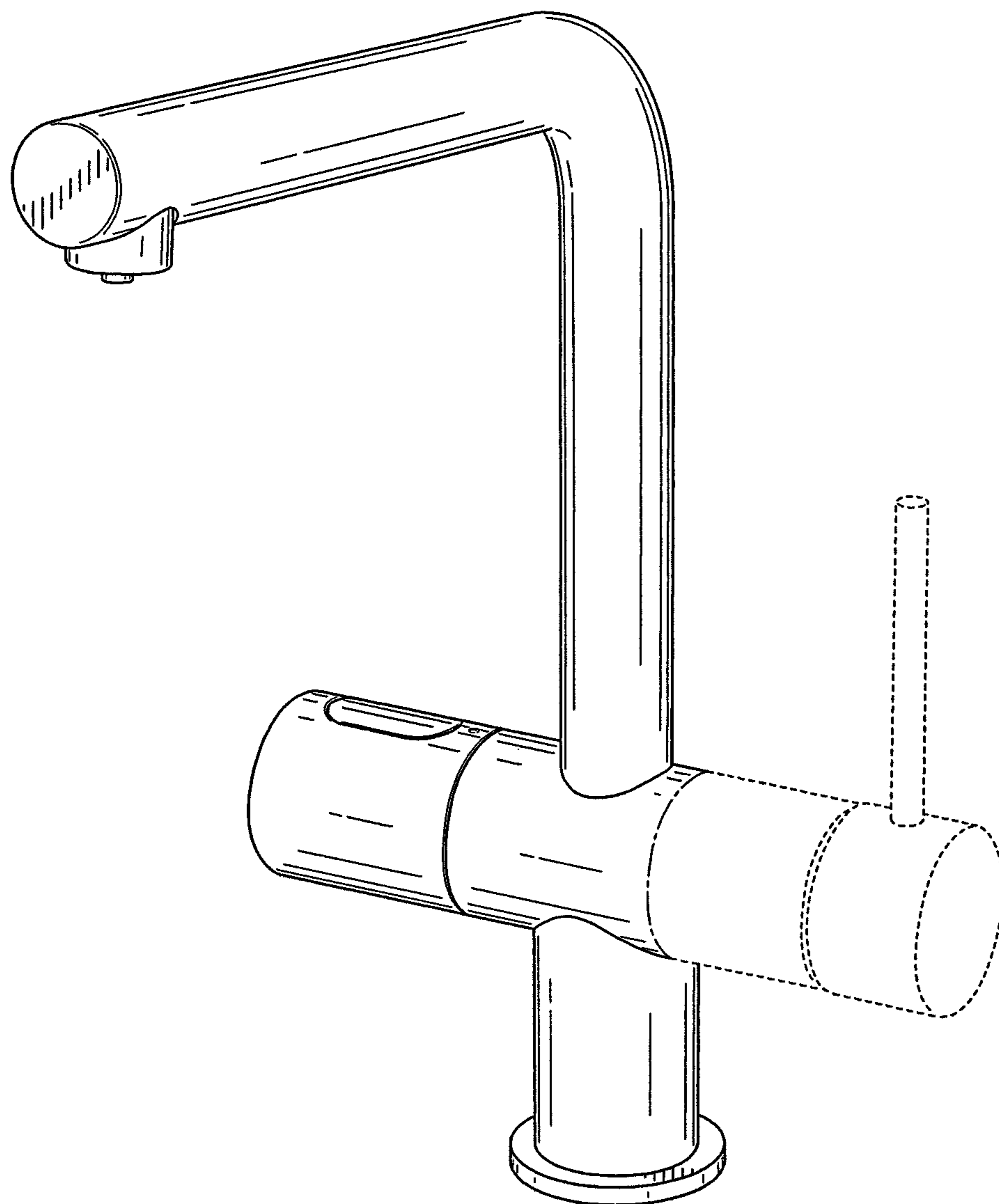


FIG. 7