

US00D692985S

(12) **United States Design Patent**
Tamura et al.

(10) **Patent No.:** **US D692,985 S**
(45) **Date of Patent:** **** Nov. 5, 2013**

- (54) **ELECTROMAGNETIC VALVE**
- (71) Applicant: **SMC Corporation**, Chiyoda-ku (JP)
- (72) Inventors: **Tetsuo Tamura**, Moriya (JP); **Kazuaki Takemura**, Moriya (JP); **Masanori Kaitsuka**, Omitama (JP)
- (73) Assignee: **SMC Corporation**, Tokyo (JP)
- (**) Term: **14 Years**
- (21) Appl. No.: **29/440,952**
- (22) Filed: **Dec. 28, 2012**
- (30) **Foreign Application Priority Data**
Jun. 28, 2012 (JP) 2012-015375
- (51) **LOC (9) Cl.** **23-01**
- (52) **U.S. Cl.**
USPC **D23/233**
- (58) **Field of Classification Search**
USPC D23/233–237, 244–249; D15/5, 7, 199;
137/554, 557, 560, 882, 884, 269, 271,
137/343, 625.64; 251/12, 129.04, 130, 219,
251/331, 596.16, 597.13, 30.01; 4/304
See application file for complete search history.

- (56) **References Cited**
U.S. PATENT DOCUMENTS
4,470,426 A * 9/1984 Kitamura 137/85
4,856,478 A * 8/1989 Weber et al. 123/406.69
5,603,355 A * 2/1997 Miyazoe et al. 137/625.64
D427,663 S * 7/2000 Hayashi et al. D23/233
D458,985 S * 6/2002 Kleffmann D23/233
D594,929 S * 6/2009 Takakuwa et al. D23/233
D594,930 S * 6/2009 Takakuwa et al. D23/233

- D623,270 S * 9/2010 Fukano et al. D23/233
- D639,393 S * 6/2011 Hayashi D23/233
- D653,307 S * 1/2012 Senba D23/233
- D653,308 S * 1/2012 Senba D23/233
- D665,874 S * 8/2012 Senba D23/233
- D668,321 S * 10/2012 Senba D23/233

OTHER PUBLICATIONS

U.S. Appl. No. 29/440,930, filed Dec. 28, 2012, Tamura, et al.
U.S. Appl. No. 29/440,947, filed Dec. 28, 2012, Tamura, et al.
Notification of Reason for Refusal issued Dec. 21, 2012 in Japanese Patent Application No. 2012-015375 (with English translation).
SMC Corporation, "Series VT307 Manifold Specifications", Feb. 21, 2006, p. (4-7-5) and related descriptions http://stevenengineering.com/Tech_Support/PDFs/70D3SVT307.pdf.

* cited by examiner

Primary Examiner — Cynthia Ramirez
(74) *Attorney, Agent, or Firm* — Oblon, Spivak, McClelland, Maier & Neustadt, L.L.P.

(57) **CLAIM**
The ornamental design for an electromagnetic valve, as shown and described.

DESCRIPTION

FIG. 1 is a front, top, and right side perspective view of an electromagnetic valve;
FIG. 2 is a rear, bottom, and left side perspective view of;
FIG. 3 is a front elevational view thereof;
FIG. 4 is a rear elevational view thereof;
FIG. 5 is a top plan view thereof;
FIG. 6 is a bottom plan view thereof;
FIG. 7 is a left side elevational view thereof; and,
FIG. 8 is a right side elevational view thereof.
The broken lines in the drawings depict environmental subject matter only and form no part of the claimed design.

1 Claim, 4 Drawing Sheets

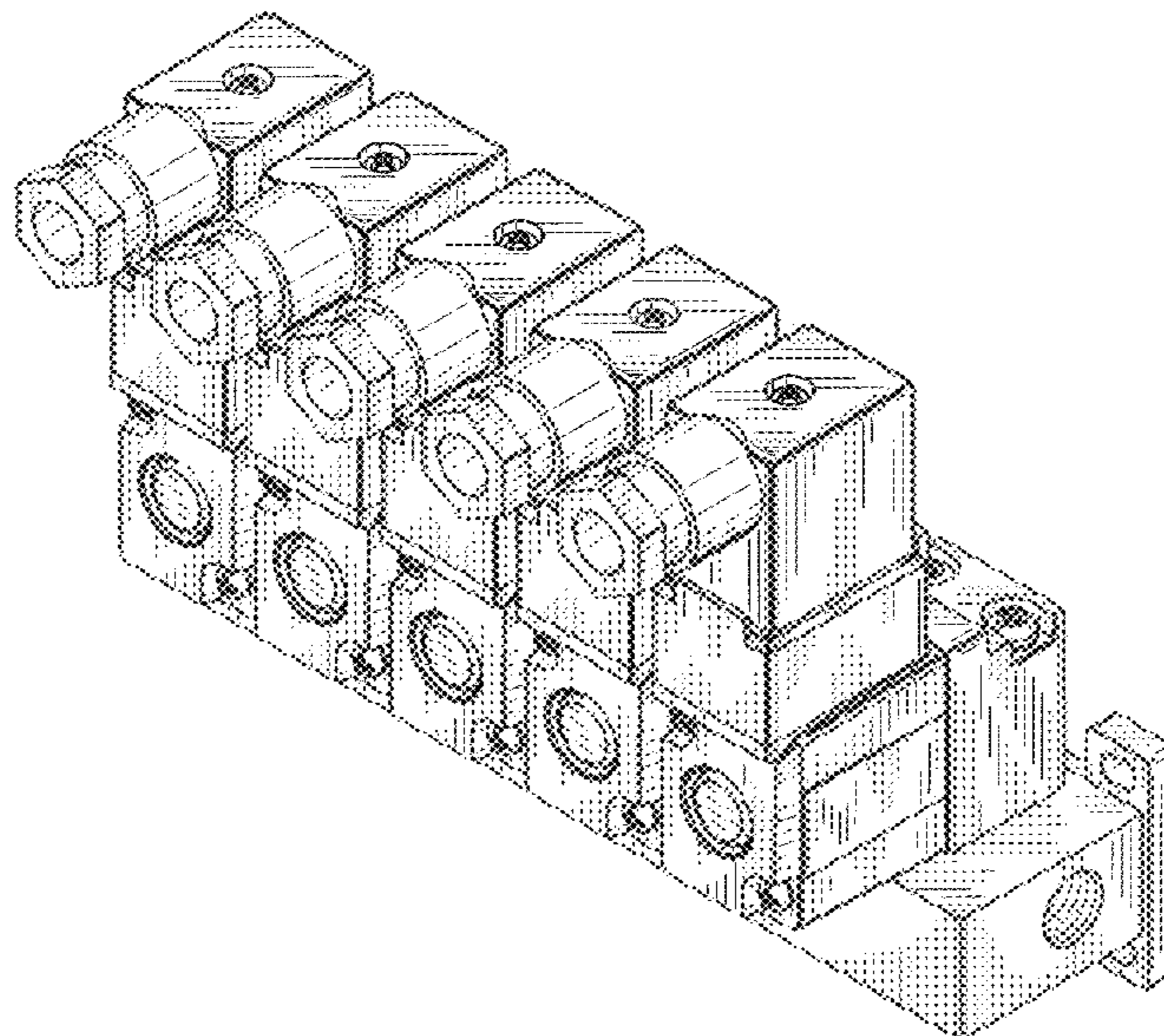


Fig. 1

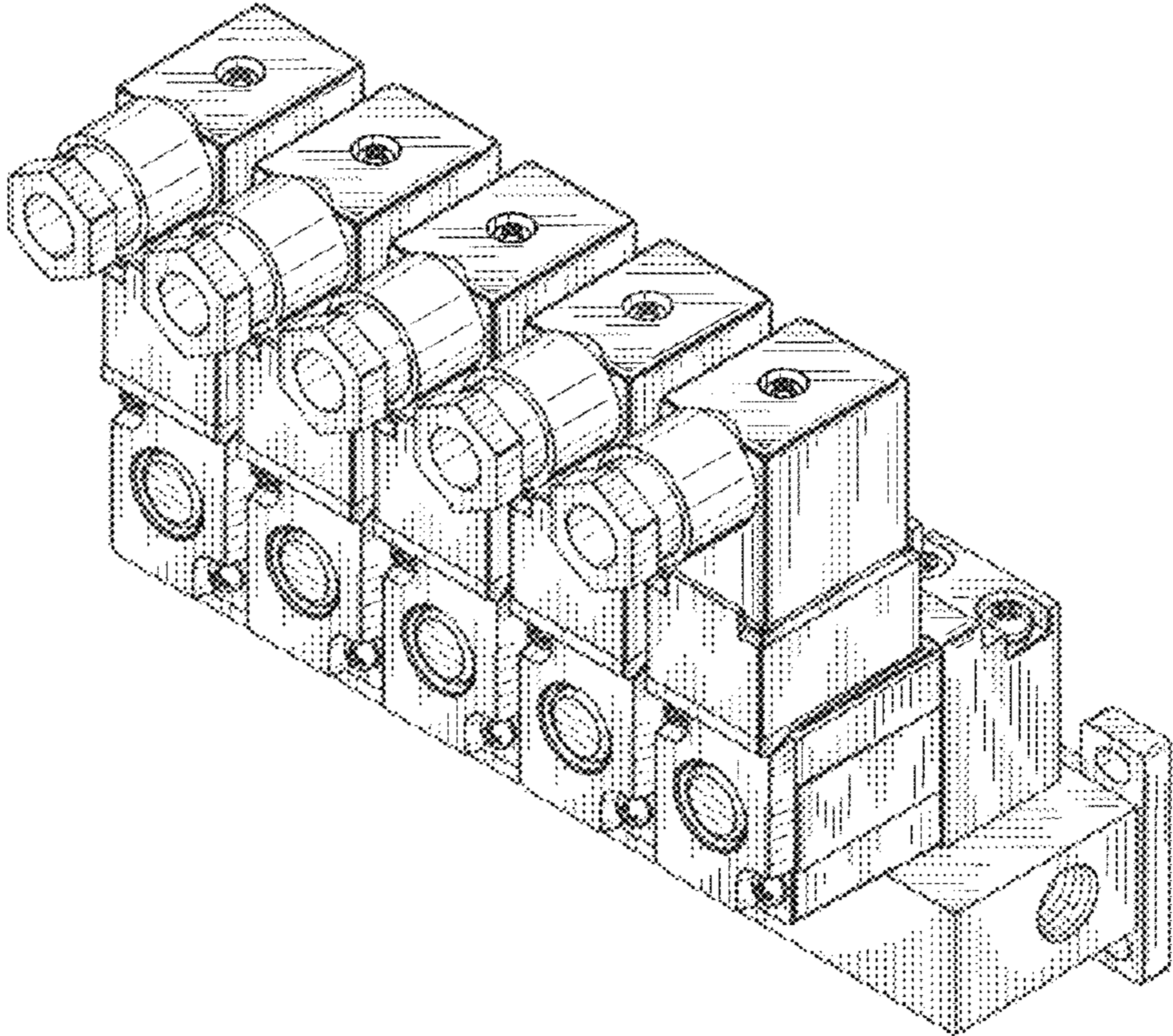


Fig. 2

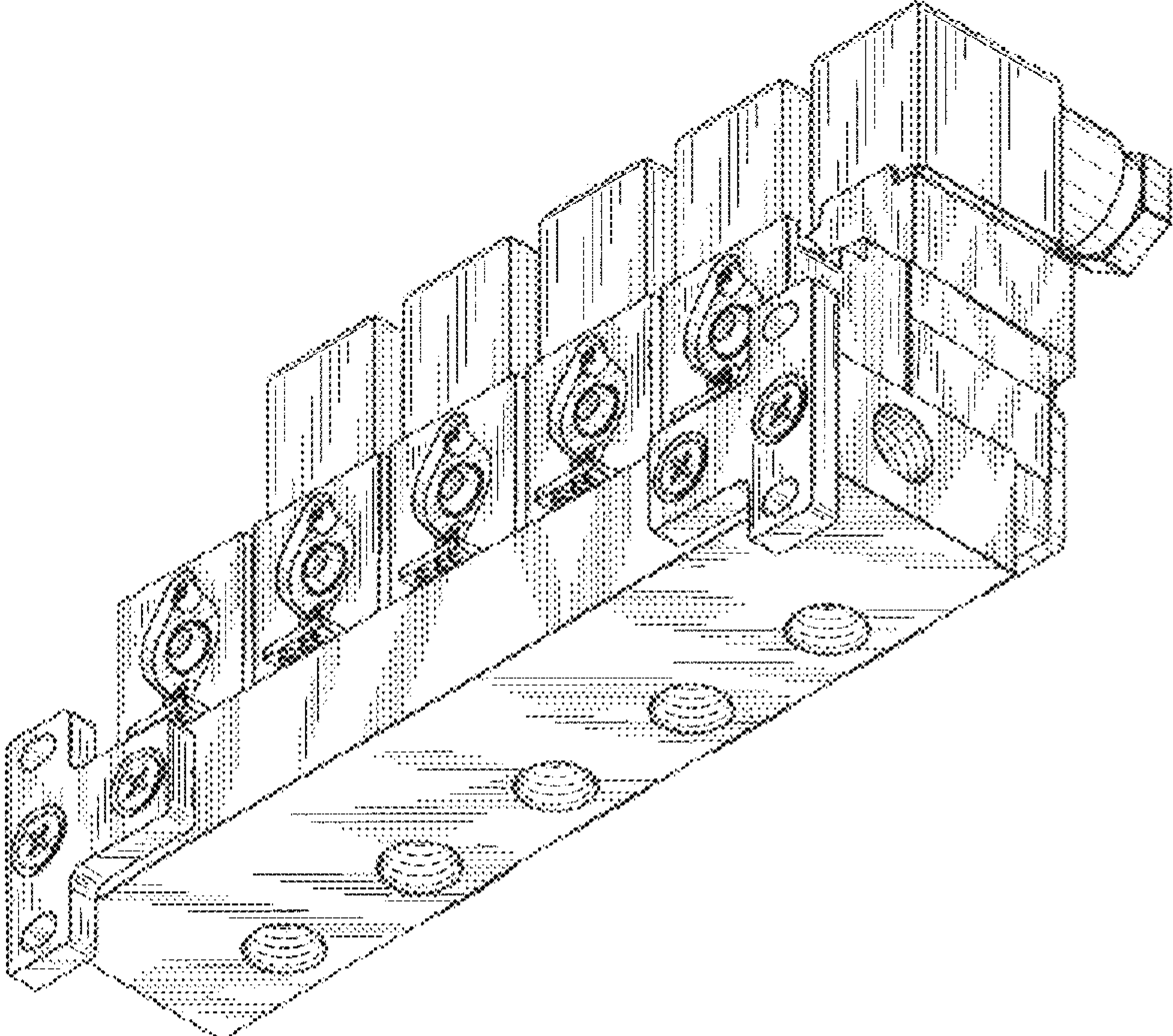


Fig. 3

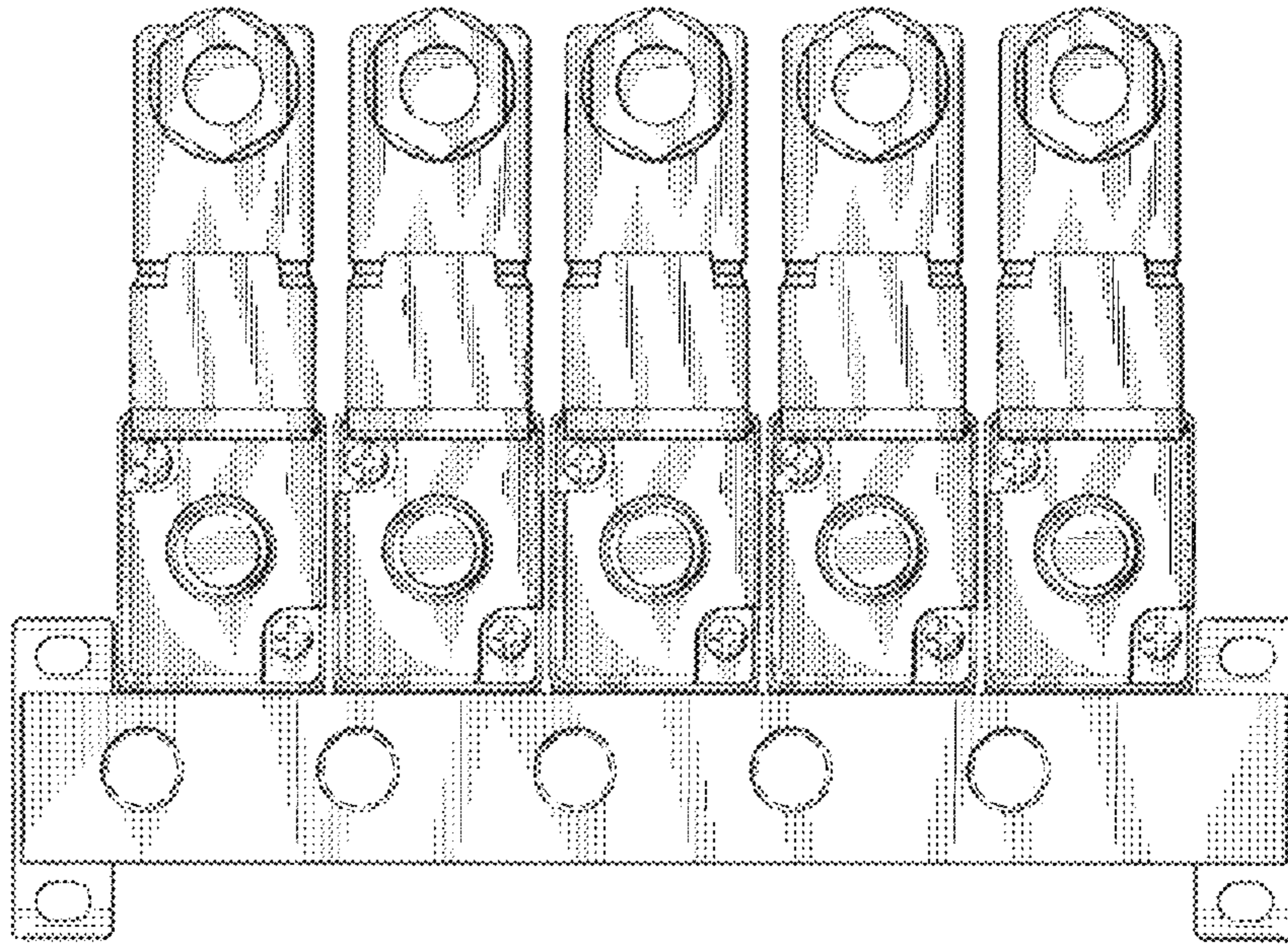


Fig. 4

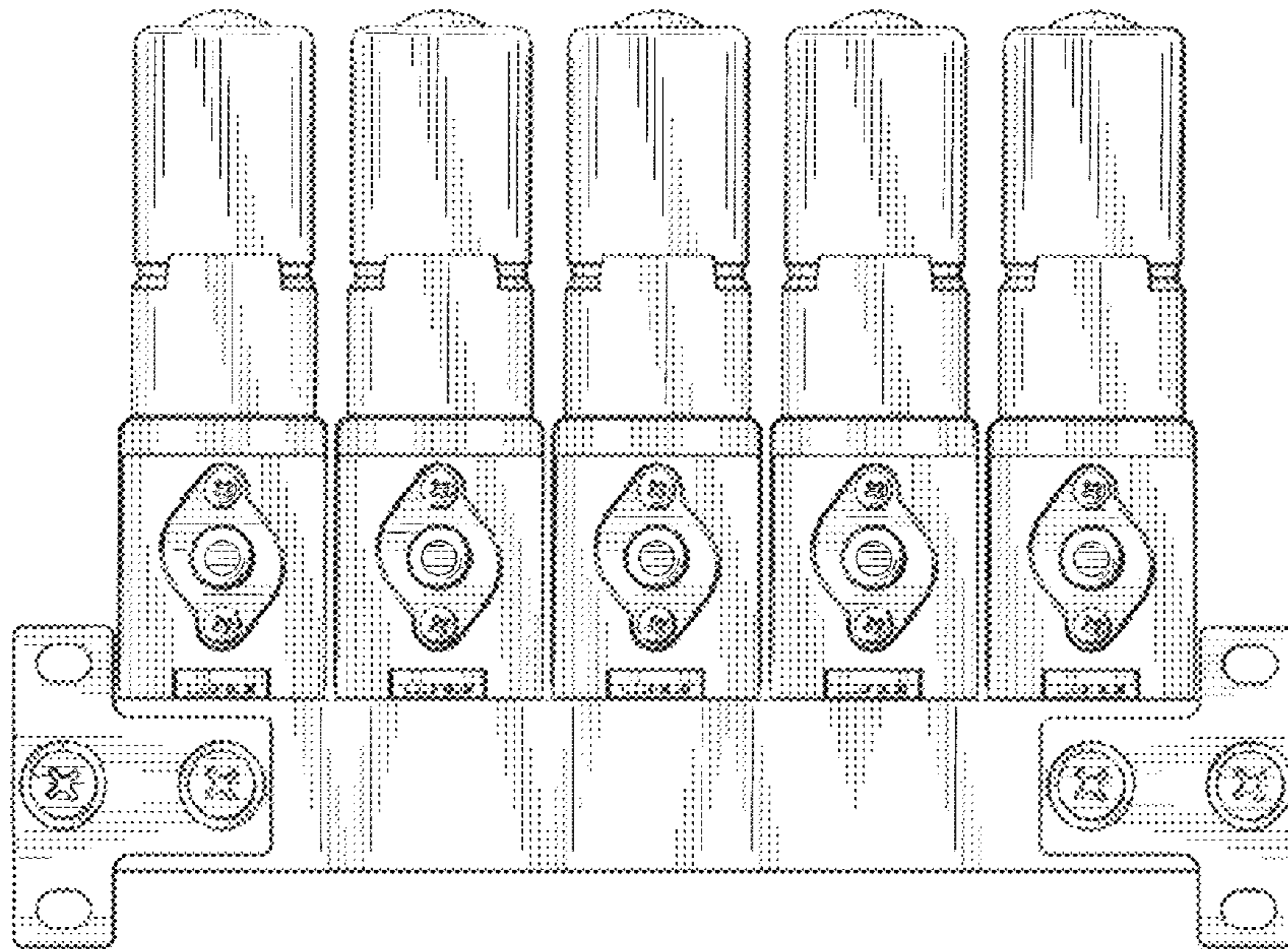


Fig. 5

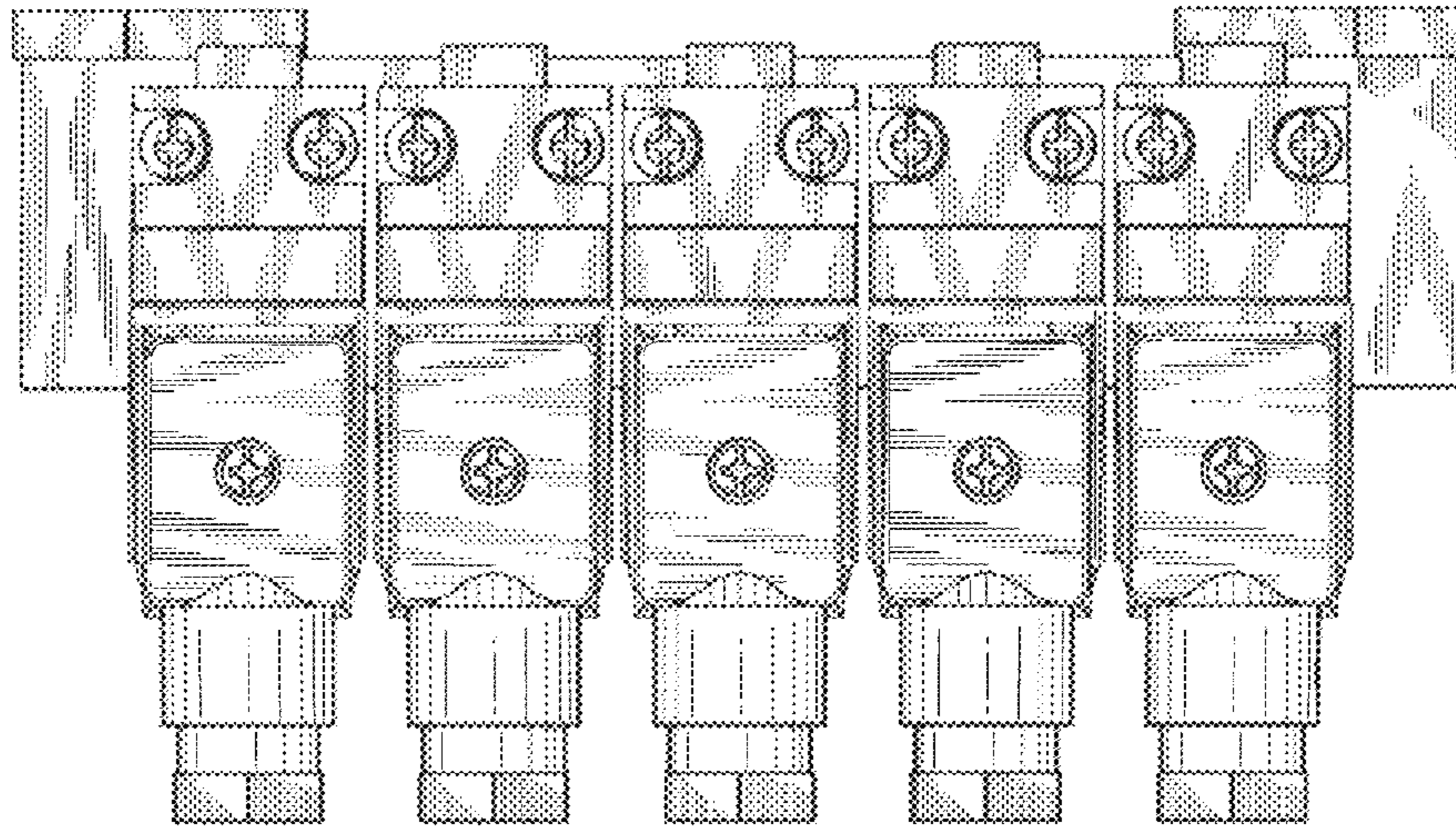


Fig. 6

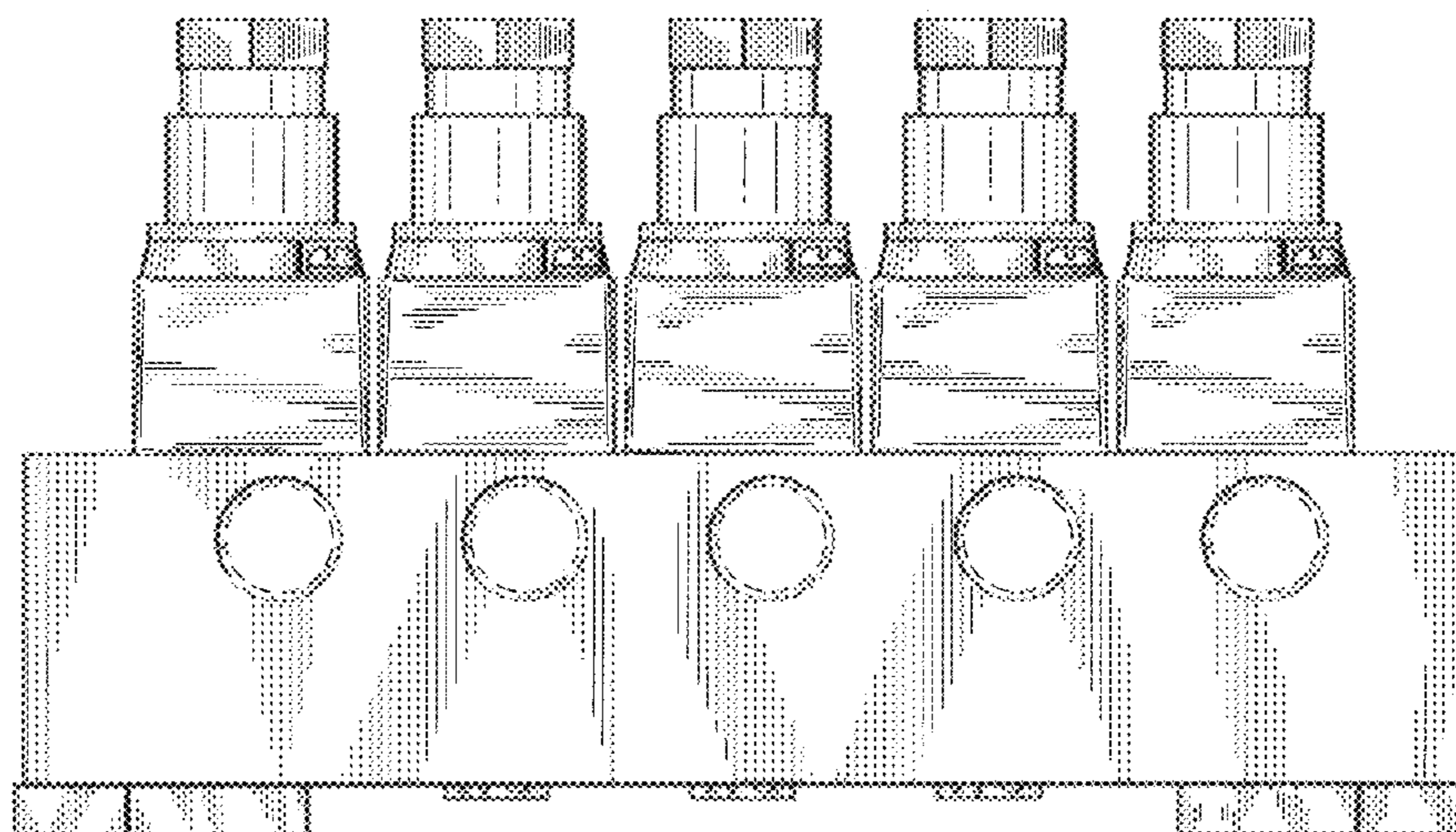


Fig. 7

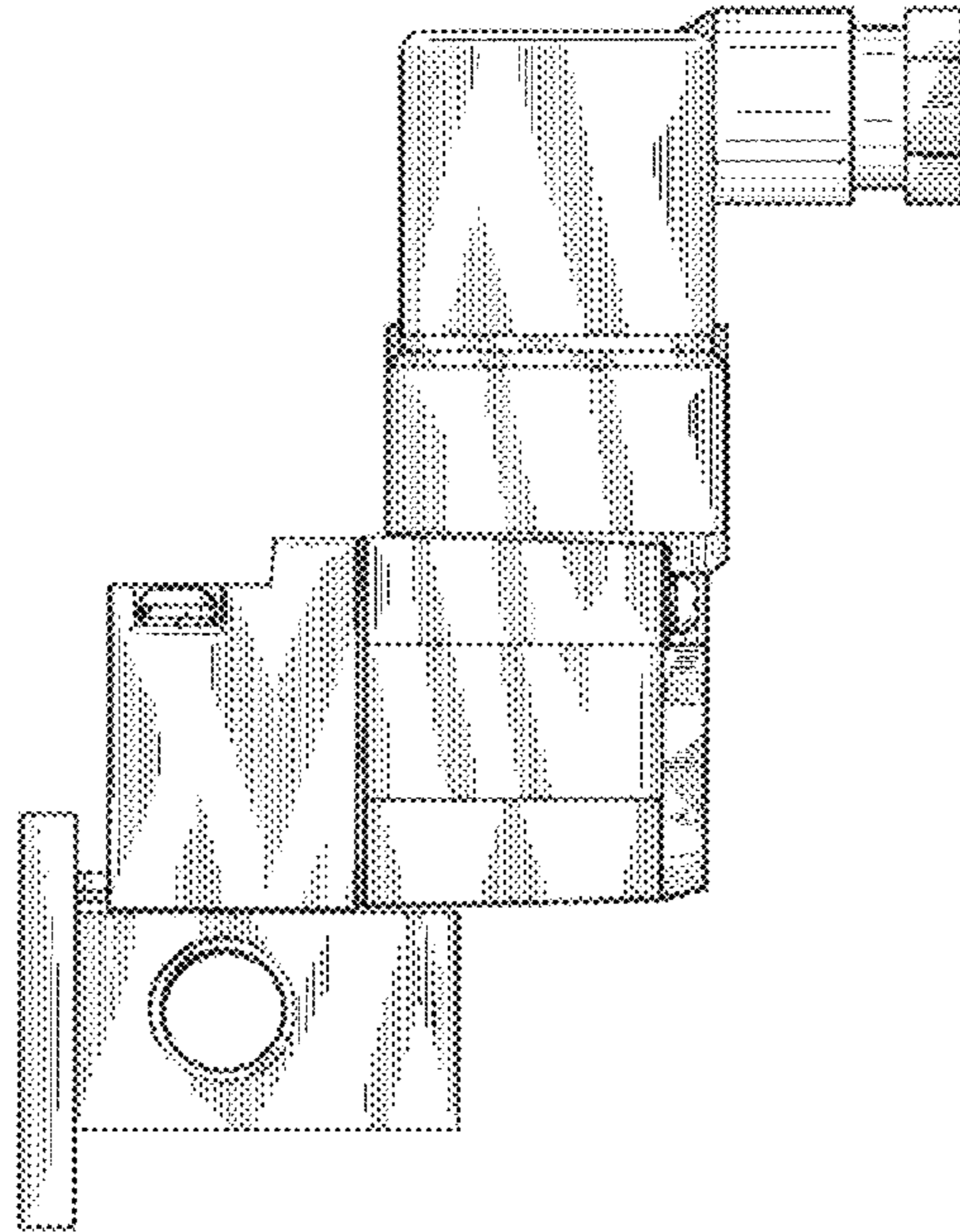


Fig. 8

