



US00D692984S

(12) **United States Design Patent**
Tamura et al.

(10) **Patent No.:** **US D692,984 S**

(45) **Date of Patent:** **** Nov. 5, 2013**

(54) **ELECTROMAGNETIC VALVE**
(71) Applicant: **SMC Corporation**, Chiyoda-ku (JP)
(72) Inventors: **Tetsuo Tamura**, Moriya (JP); **Kazuaki Takemura**, Moriya (JP); **Masanori Kaitsuka**, Omitama (JP)

D594,929 S * 6/2009 Takakuwa et al. D23/233
D594,930 S * 6/2009 Takakuwa et al. D23/233
D623,270 S * 9/2010 Fukano et al. D23/233
D639,393 S * 6/2011 Hayashi D23/233
D653,307 S * 1/2012 Senba D23/233
D653,308 S * 1/2012 Senba D23/233
D665,874 S * 8/2012 Senba D23/233
D668,321 S * 10/2012 Senba D23/233

(73) Assignee: **SMC Corporation**, Tokyo (JP)

(**) Term: **14 Years**

(21) Appl. No.: **29/440,937**

(22) Filed: **Dec. 28, 2012**

(30) **Foreign Application Priority Data**

Jun. 28, 2012 (JP) 2012-015374

(51) **LOC (9) Cl.** **23-01**

(52) **U.S. Cl.**
USPC **D23/233**

(58) **Field of Classification Search**
USPC D23/233-237, 244-249; D15/5, 7, 199;
137/554, 557, 560, 882, 884, 269, 271,
137/343, 625.64; 251/12, 129.04, 130, 219,
251/331, 596.16, 597.13, 30.01; 4/304
See application file for complete search history.

(56) **References Cited**

U.S. PATENT DOCUMENTS

4,470,426 A * 9/1984 Kitamura 137/85
4,856,478 A * 8/1989 Weber et al. 123/406.69
5,603,355 A * 2/1997 Miyazoe et al. 137/625.64
D427,663 S * 7/2000 Hayashi et al. D23/233
D458,985 S * 6/2002 Kleffmann D23/233

OTHER PUBLICATIONS

U.S. Appl. No. 29/440,969, filed Dec. 28, 2012, Tamura, et al.
U.S. Appl. No. 29/440,928, filed Dec. 28, 2012, Tamura, et al.
U.S. Appl. No. 29/440,979, filed Dec. 28, 2012, Tamura, et al.

* cited by examiner

Primary Examiner — Cynthia Ramirez

(74) *Attorney, Agent, or Firm* — Oblon, Spivak, McClelland, Maier & Neustadt, L.L.P.

(57) **CLAIM**

The ornamental design for an electromagnetic valve, as shown and described.

DESCRIPTION

FIG. 1 is a front, top, and right side perspective view of an electromagnetic valve;
FIG. 2 is a rear, bottom, and left side perspective view of;
FIG. 3 is a front elevational view thereof;
FIG. 4 is a rear elevational view thereof;
FIG. 5 is a top plan view thereof;
FIG. 6 is a bottom plan view thereof;
FIG. 7 is a left side elevational view thereof; and,
FIG. 8 is a right side elevational view thereof.

The broken lines in the drawings depict environmental subject matter only and form no part of the claimed design.

1 Claim, 4 Drawing Sheets

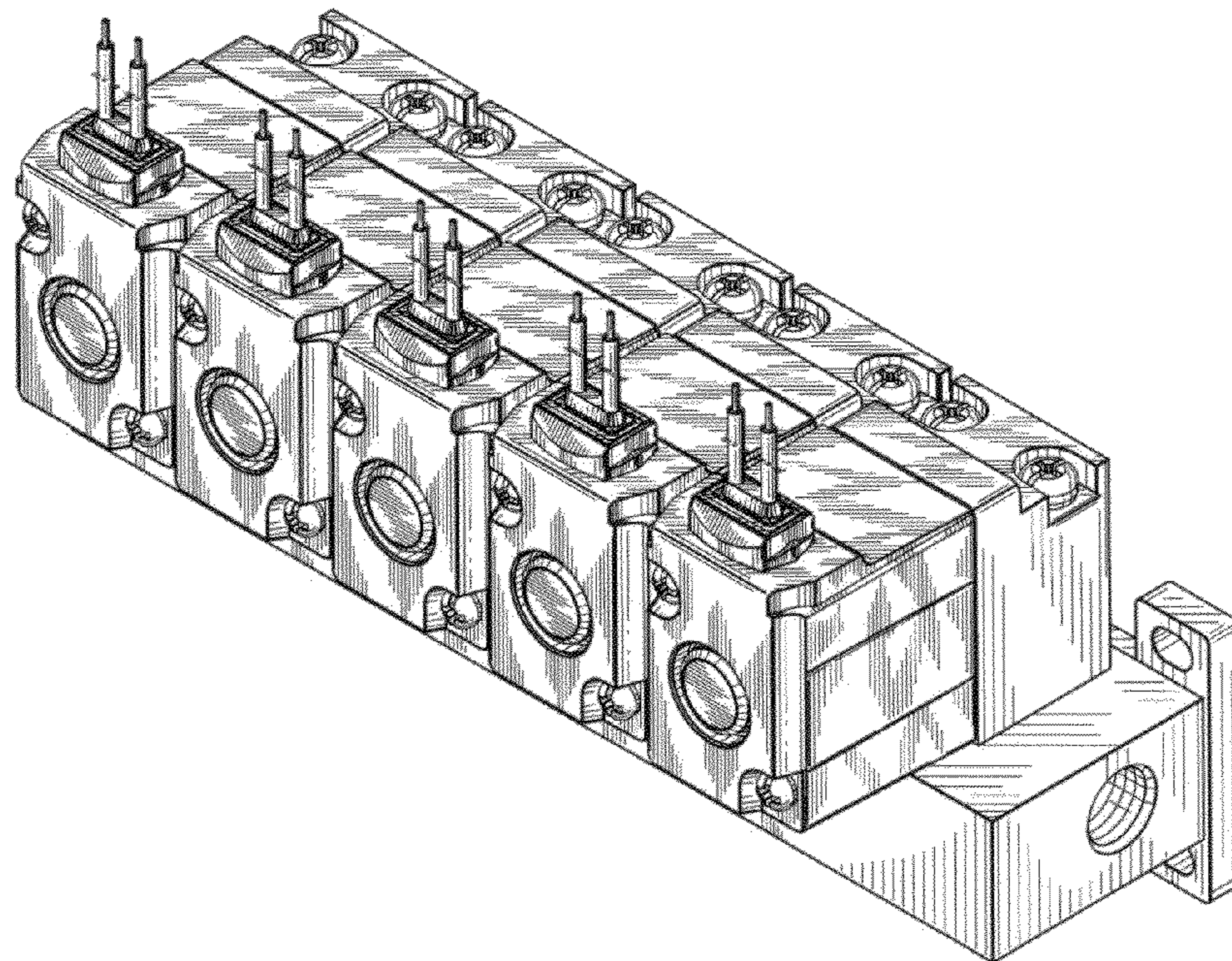


Fig. 1

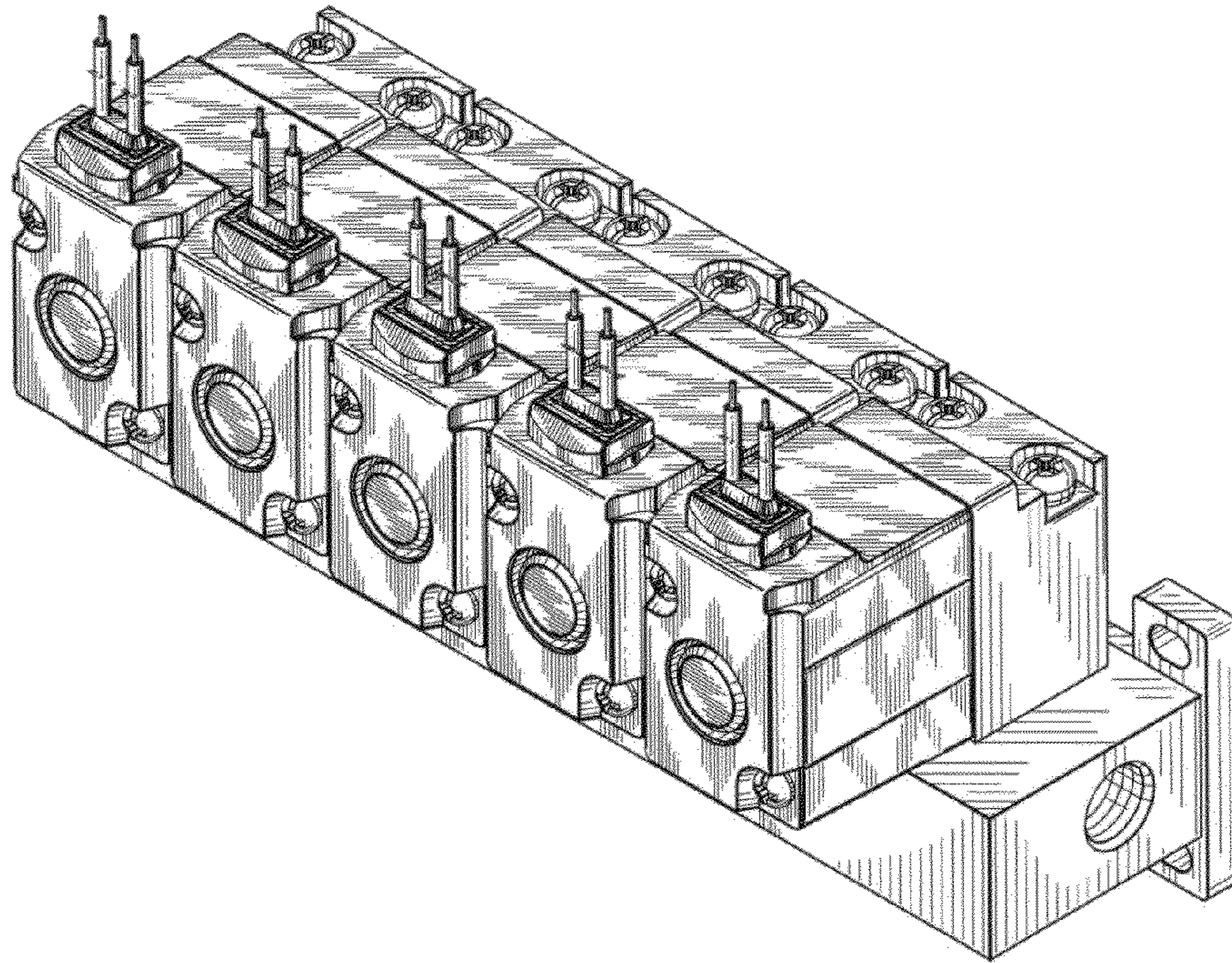
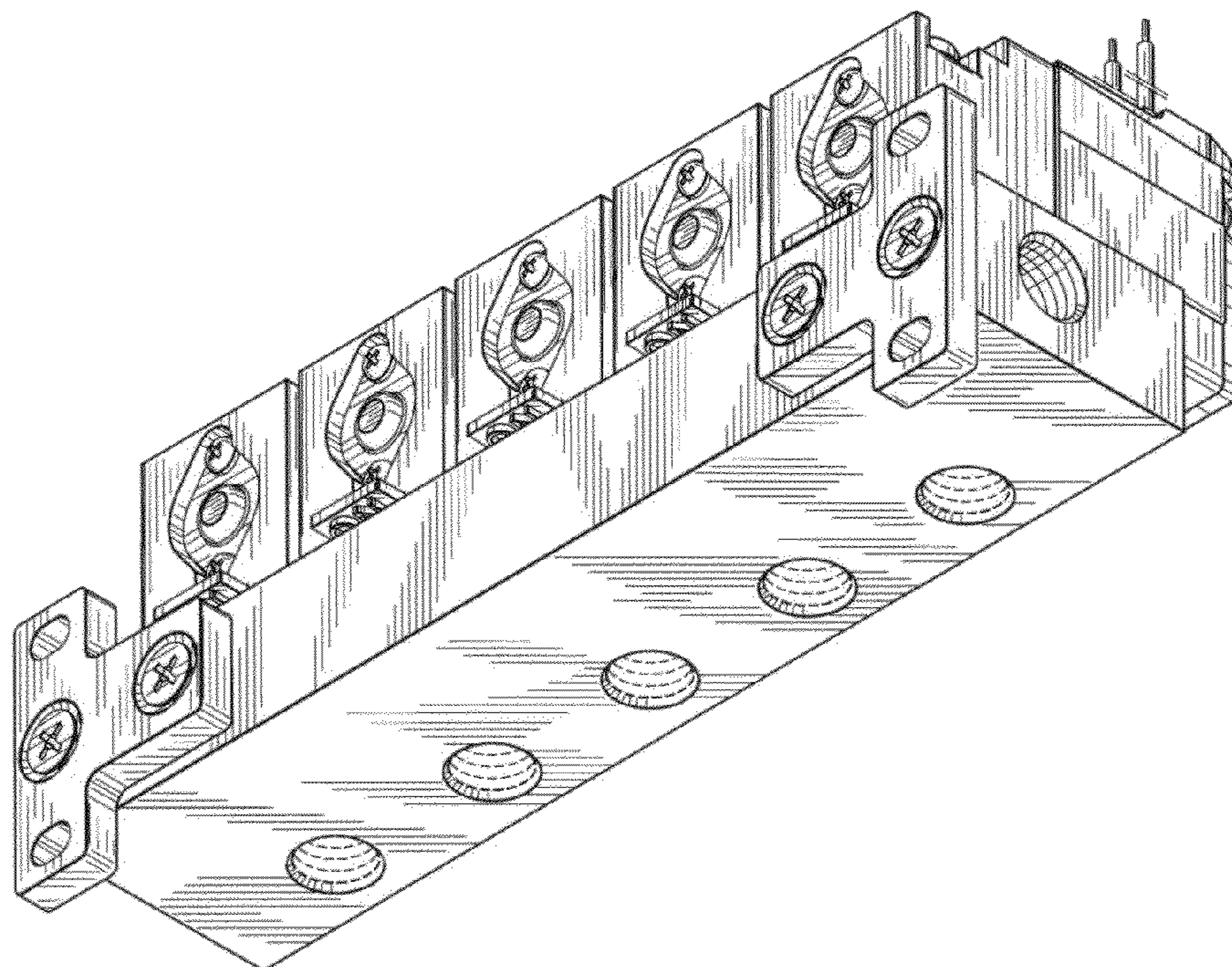


Fig. 2



Copy

Fig. 3

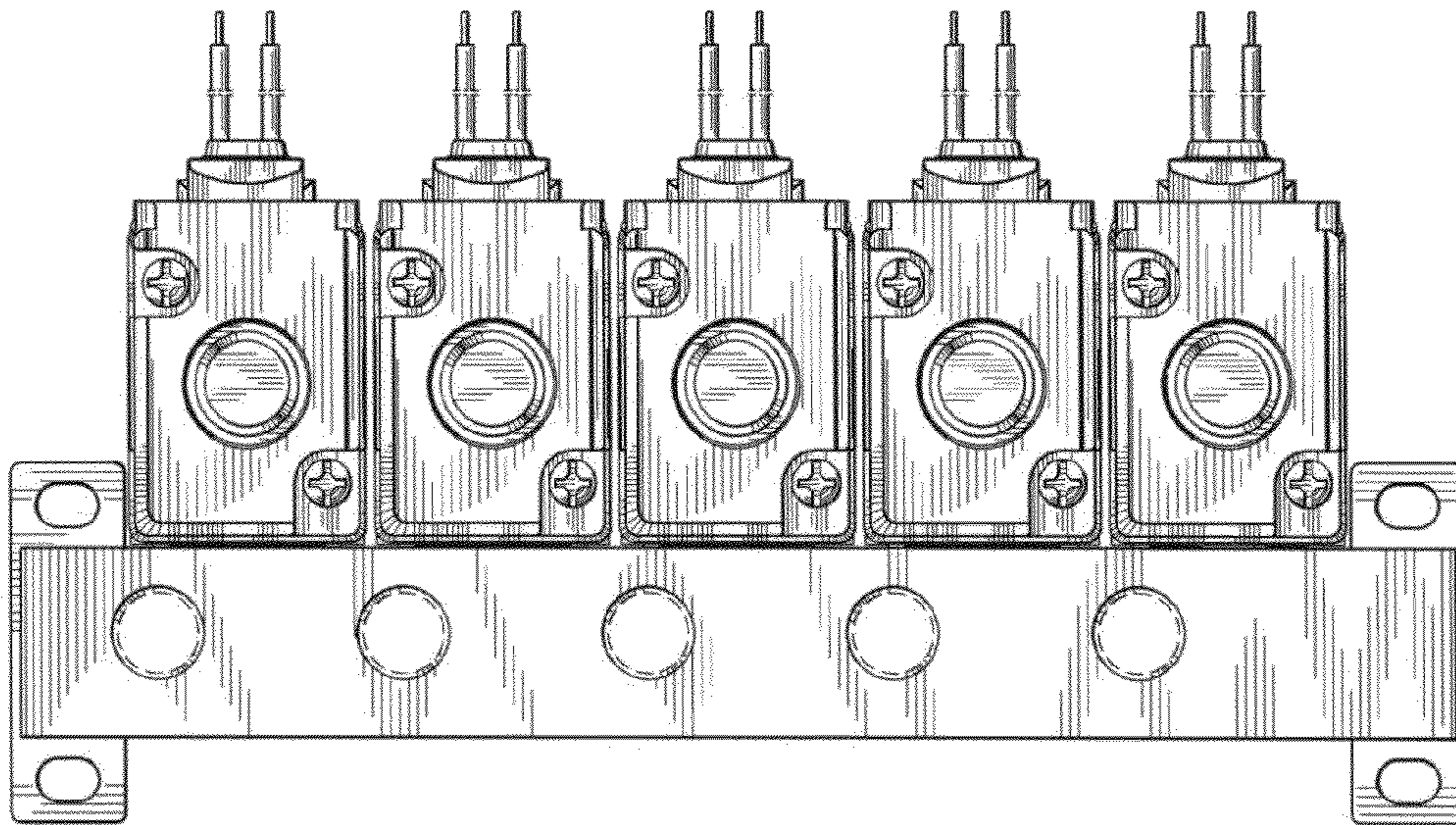
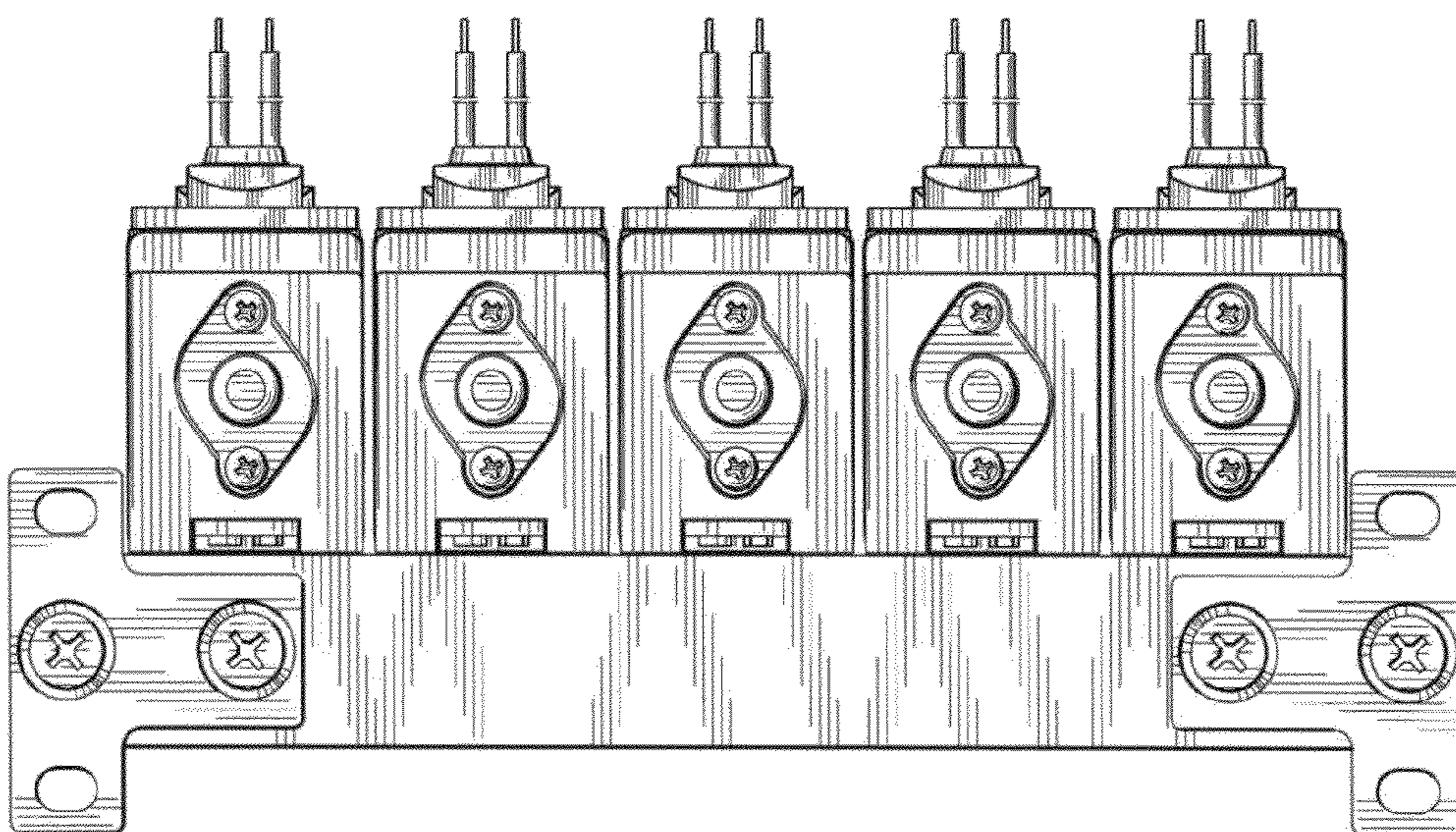


Fig. 4



0-000000

Fig. 5

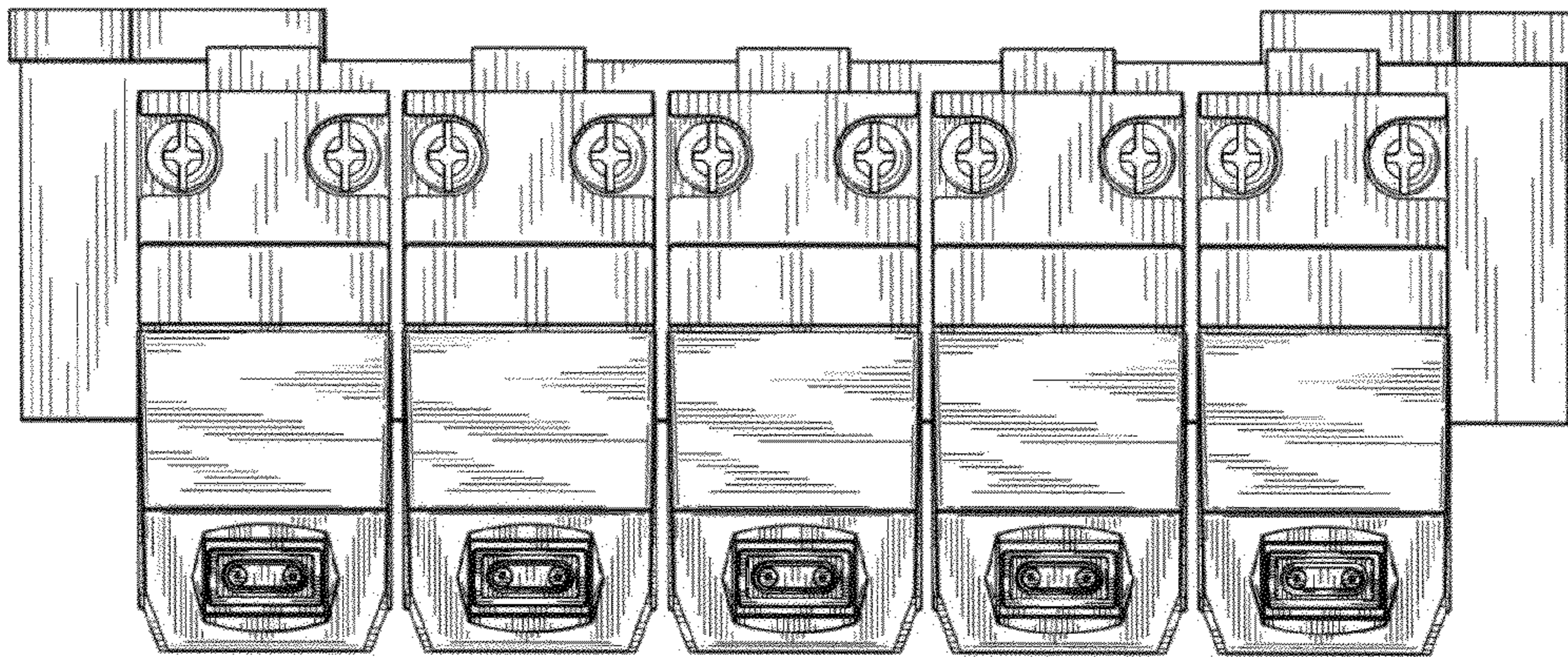


Fig. 6

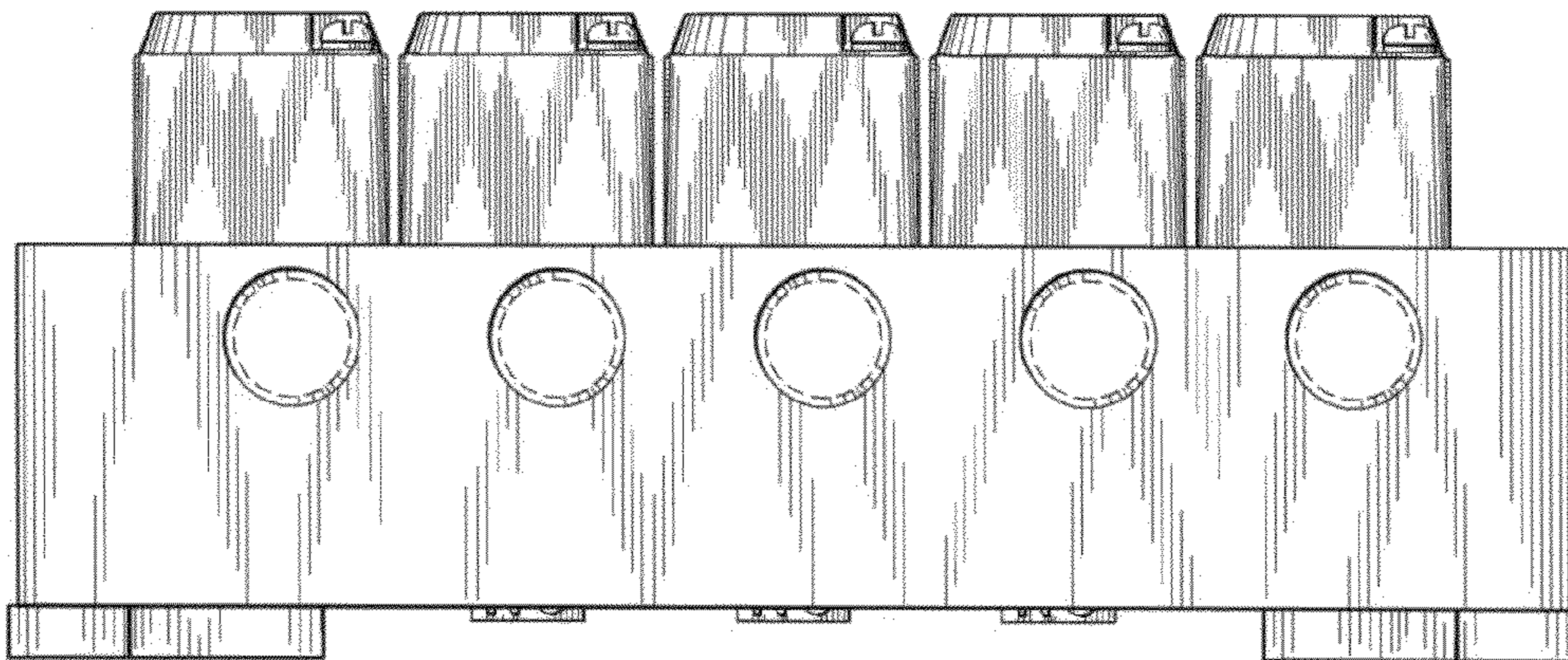


Fig. 7

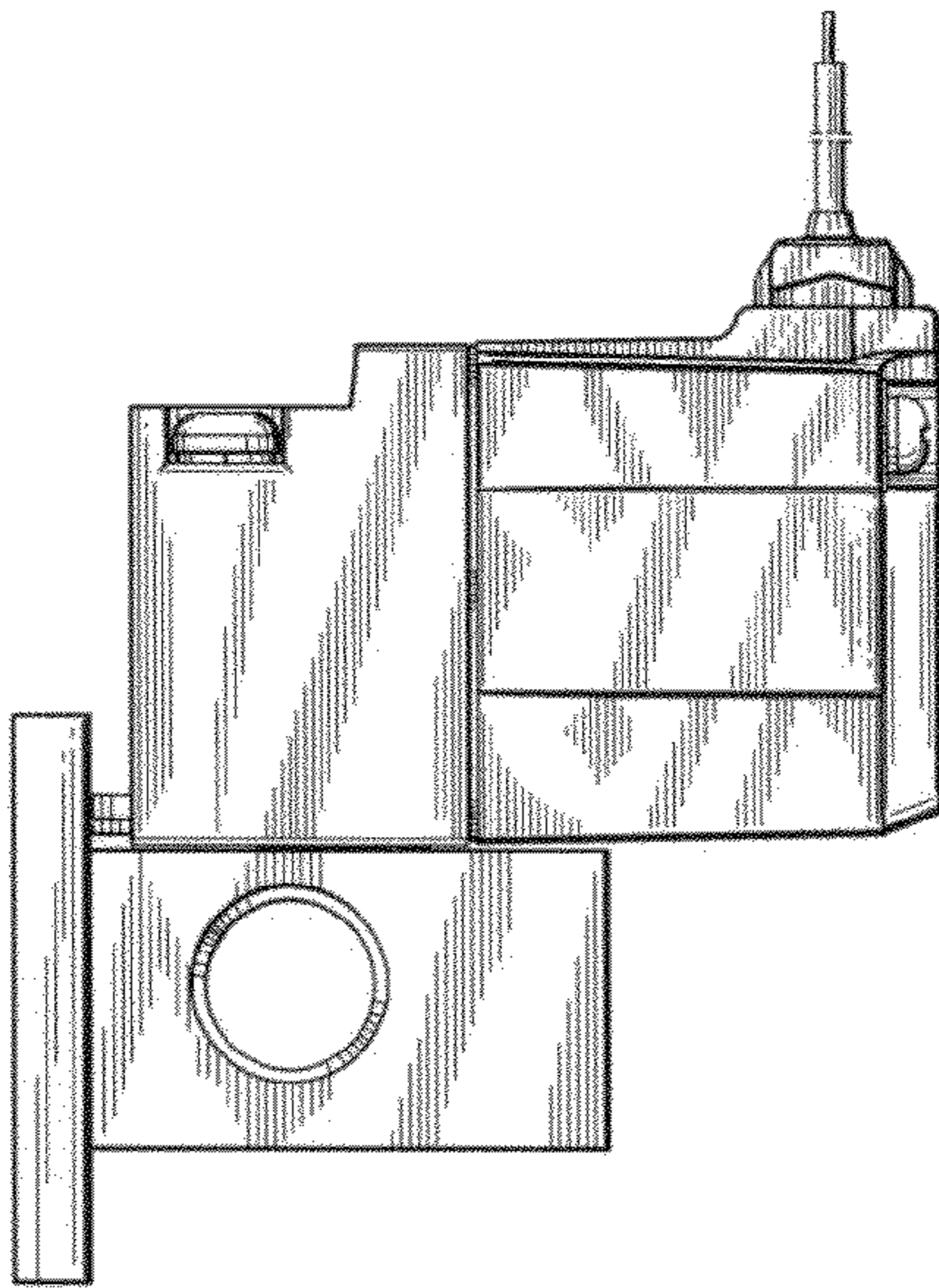


Fig. 8

