



US00D692983S

(12) **United States Design Patent**  
**Nissen et al.**

(10) **Patent No.:** **US D692,983 S**

(45) **Date of Patent:** **\*\* Nov. 5, 2013**

(54) **EXPANSION VALVE**

(56) **References Cited**

(75) Inventors: **Birthe Reese Nissen**, Nordborg (DK);  
**Ejner Kobberø Andersen**, Nordborg  
(DJ); **John Porland**, Sydals (DE); **Johan**  
**van Beek**, Almind (DK); **Michael**  
**Birkelund**, Middelfart (DK); **Marcin**  
**Abramowicz**, Nordborg (DK)

U.S. PATENT DOCUMENTS

D449,093	S	*	10/2001	Engelbrektsson et al. ...	D23/235
D455,474	S	*	4/2002	Knobel et al. ....	D23/245
D479,577	S	*	9/2003	Engelbrektsson .....	D23/235
D504,715	S	*	5/2005	Hagihara .....	D23/235
D539,387	S	*	3/2007	Donovan et al. ....	D23/233
D607,538	S	*	1/2010	Nun .....	D23/233
D609,307	S	*	2/2010	Moriyama .....	D23/233
D610,652	S	*	2/2010	Ben-Nun .....	D23/233
D633,986	S	*	3/2011	Ito et al. ....	D23/233
D634,813	S	*	3/2011	Hernandez, IV .....	D23/233
D638,521	S	*	5/2011	Matusche .....	D23/233
D677,363	S	*	3/2013	Norlander et al. ....	D23/233
2009/0272194	A1	*	11/2009	Weingarten .....	73/700

(73) Assignee: **Danfoss A/S**, Nordborg (DK)

(\*\*) Term: **14 Years**

(21) Appl. No.: **29/398,557**

(22) Filed: **Aug. 2, 2011**

(30) **Foreign Application Priority Data**

Feb. 4, 2011 (EM) ..... 001816828

(51) **LOC (9) Cl.** ..... **23-01**

(52) **U.S. Cl.**  
USPC ..... **D23/233**

(58) **Field of Classification Search**  
USPC ..... D23/233–237, 225, 202, 203, 204, 205,  
D23/244–246; 251/61.1, 61.2, 118, 305,  
251/324, 332, 335.3, 349, 352, 366;  
137/116.3, 505, 505.42, 527, 527.6

See application file for complete search history.

\* cited by examiner

*Primary Examiner* — Cynthia Ramirez

(74) *Attorney, Agent, or Firm* — McCormick, Paulding & Huber LLP

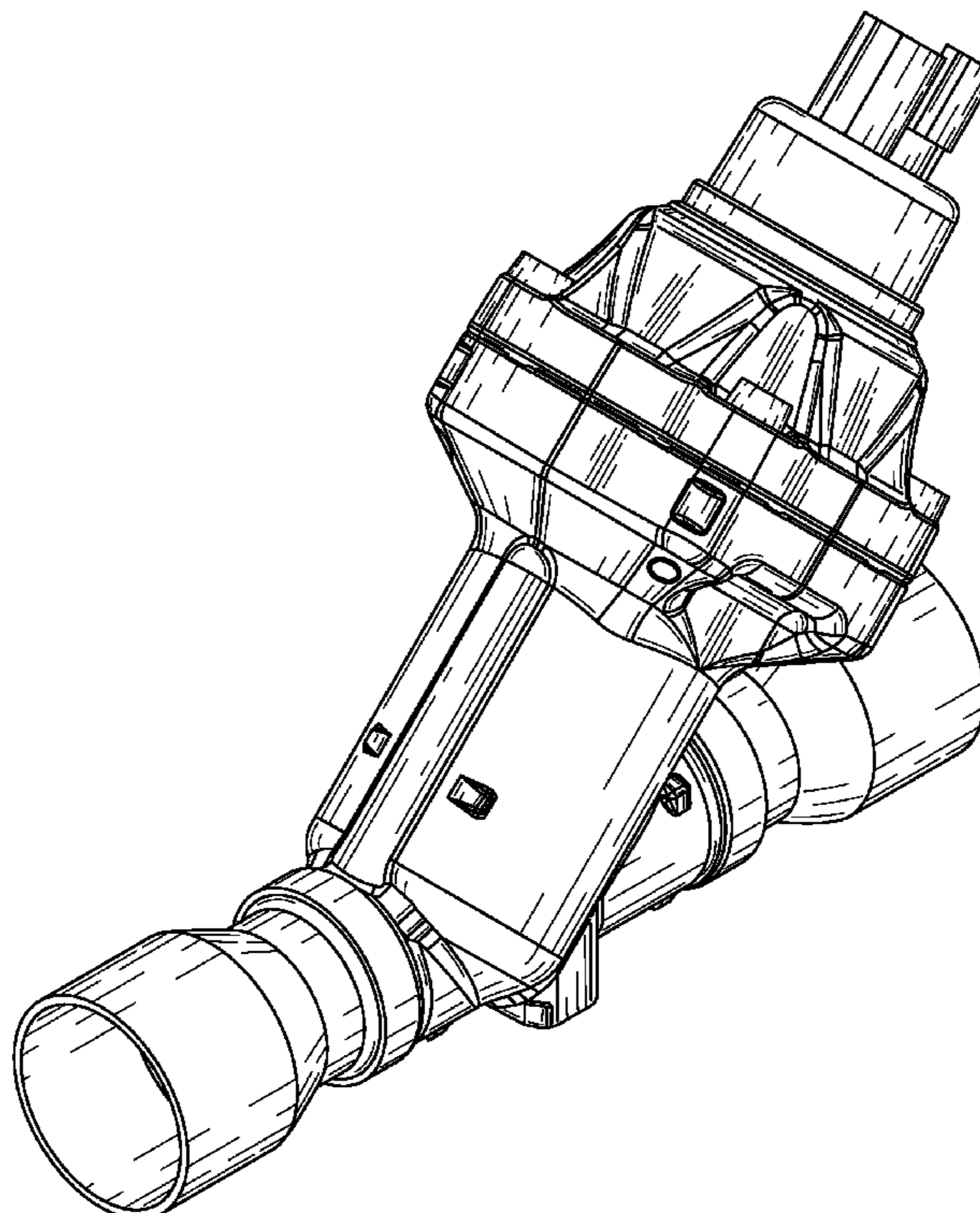
(57) **CLAIM**

The ornamental design for an expansion valve, as shown and described.

**DESCRIPTION**

FIG. 1 is a front, top, right-hand side perspective view of an expansion valve of a new original and ornamental design; FIG. 2 is a front view thereof; FIG. 3 is a rear view thereof; FIG. 4 is a top view thereof; FIG. 5 is a bottom view thereof; FIG. 6 is a left side view thereof; and, FIG. 7 is a right side view thereof.

**1 Claim, 5 Drawing Sheets**



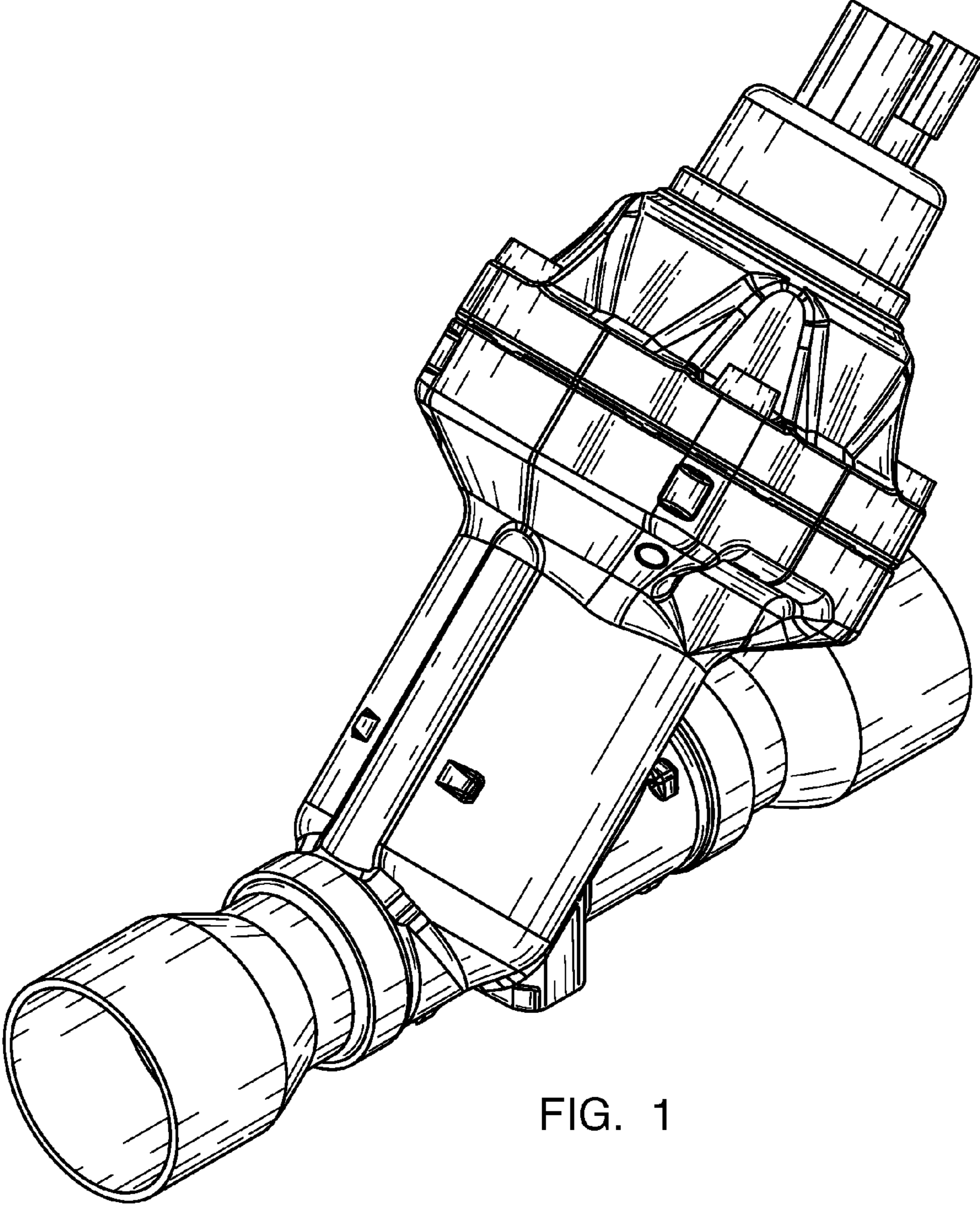


FIG. 1

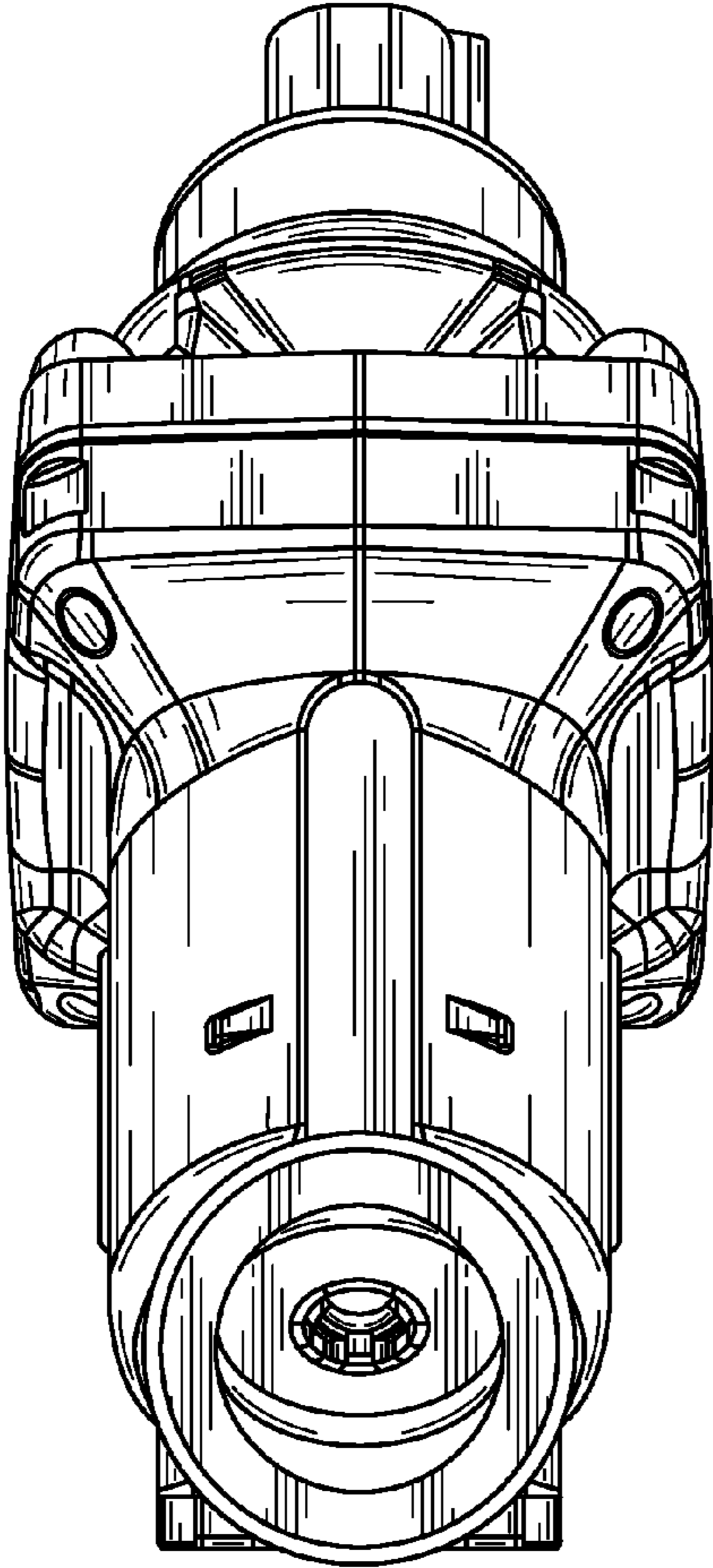


FIG. 2

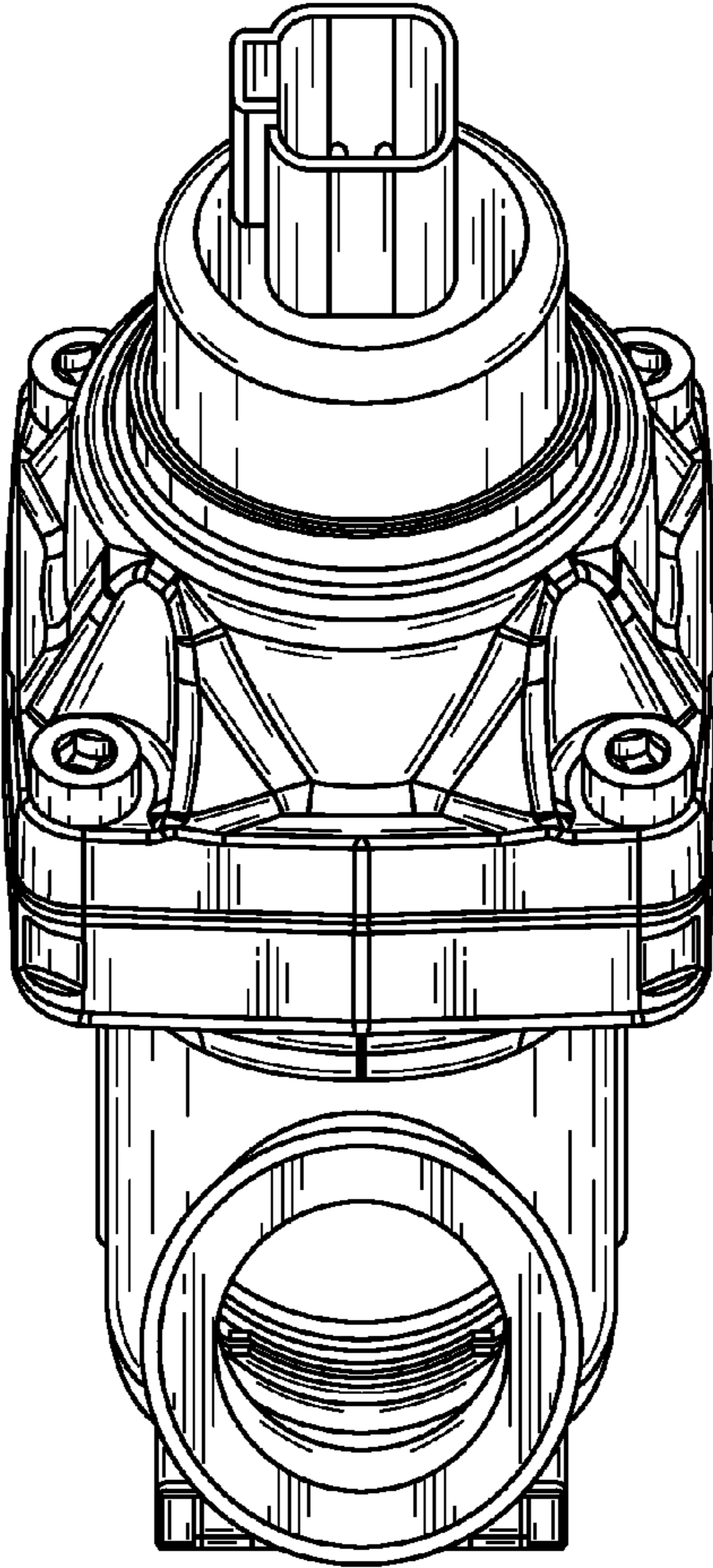


FIG. 3



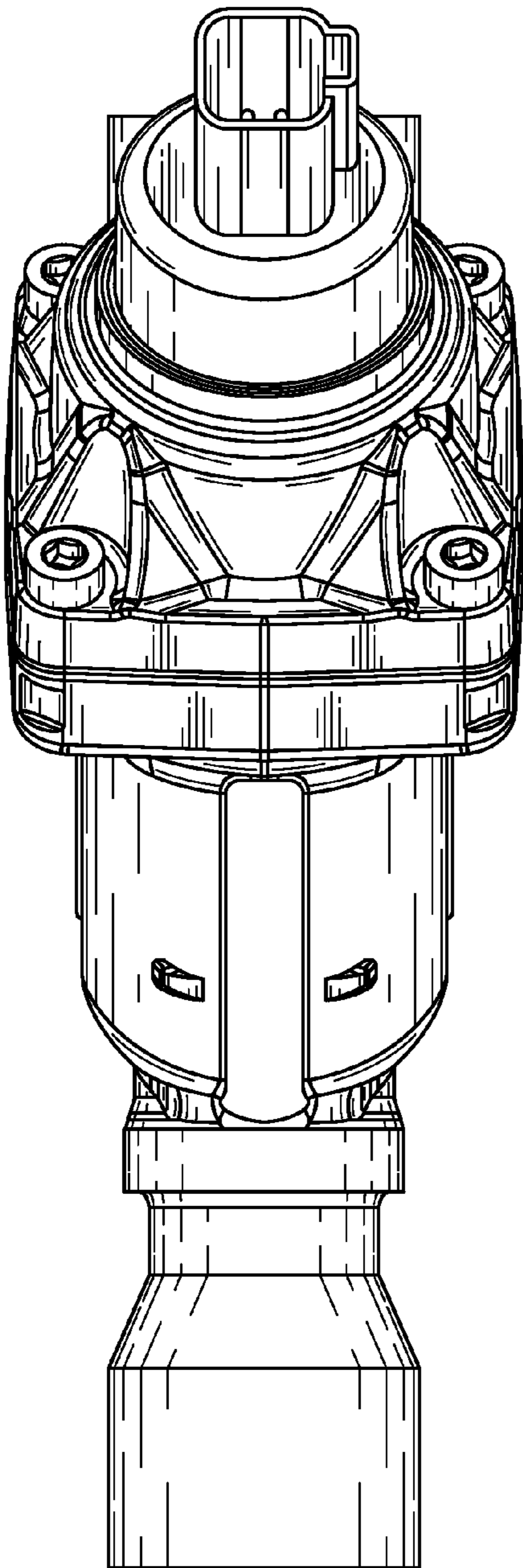


FIG. 4

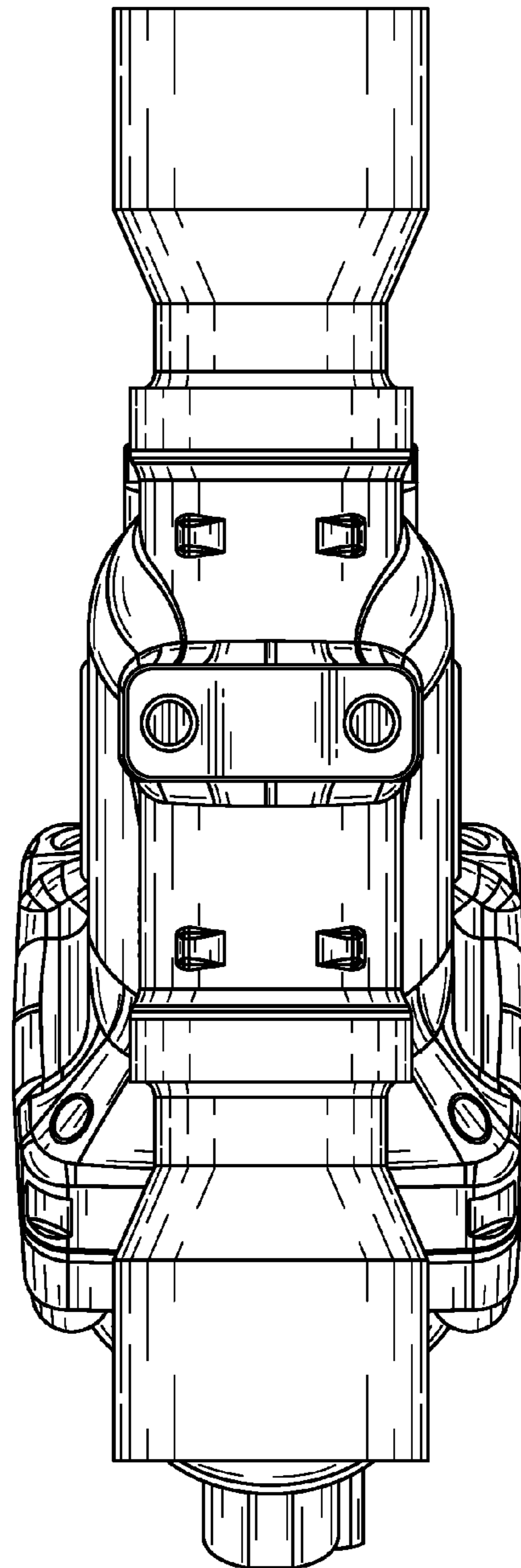


FIG. 5

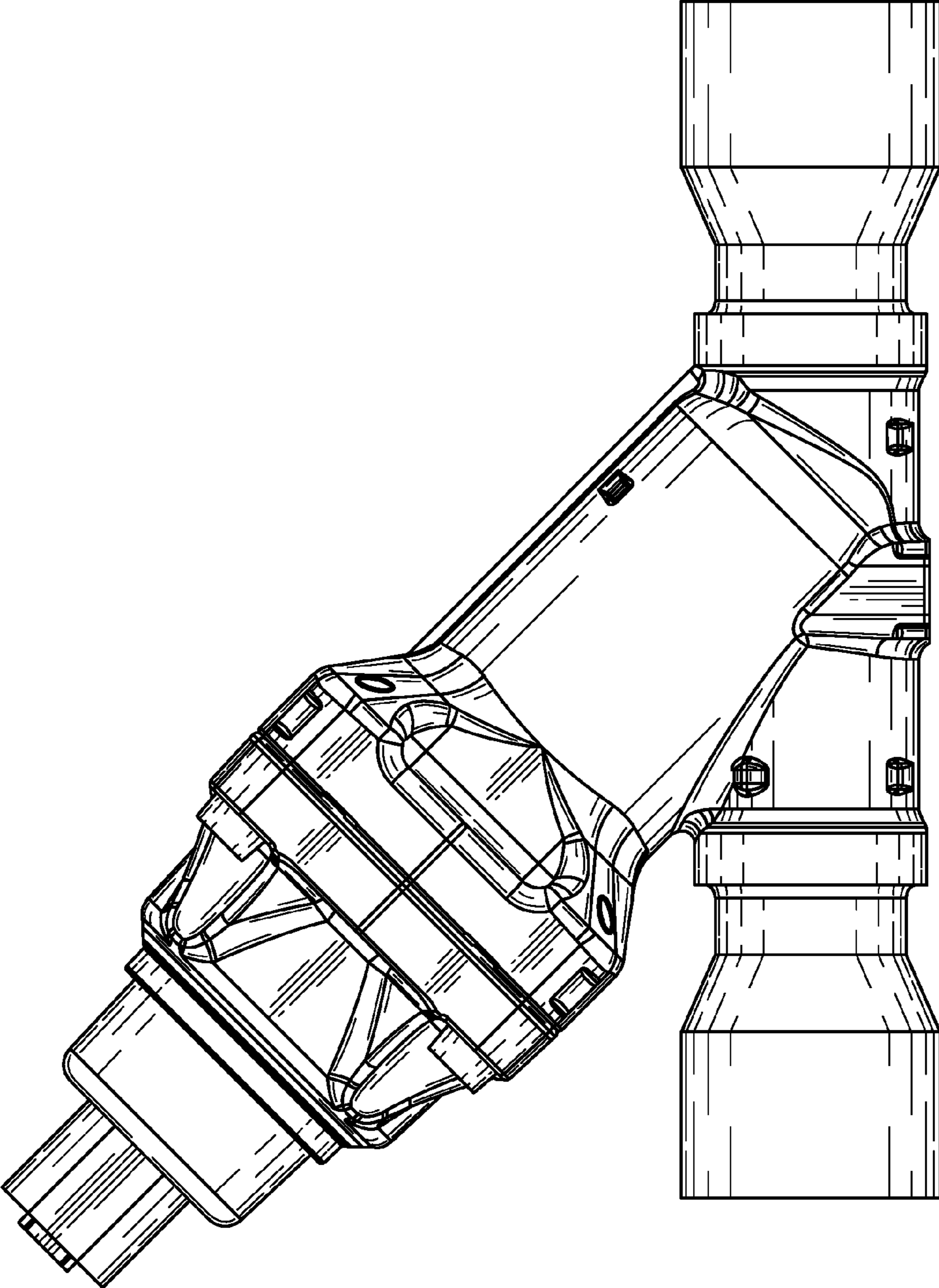


FIG. 6

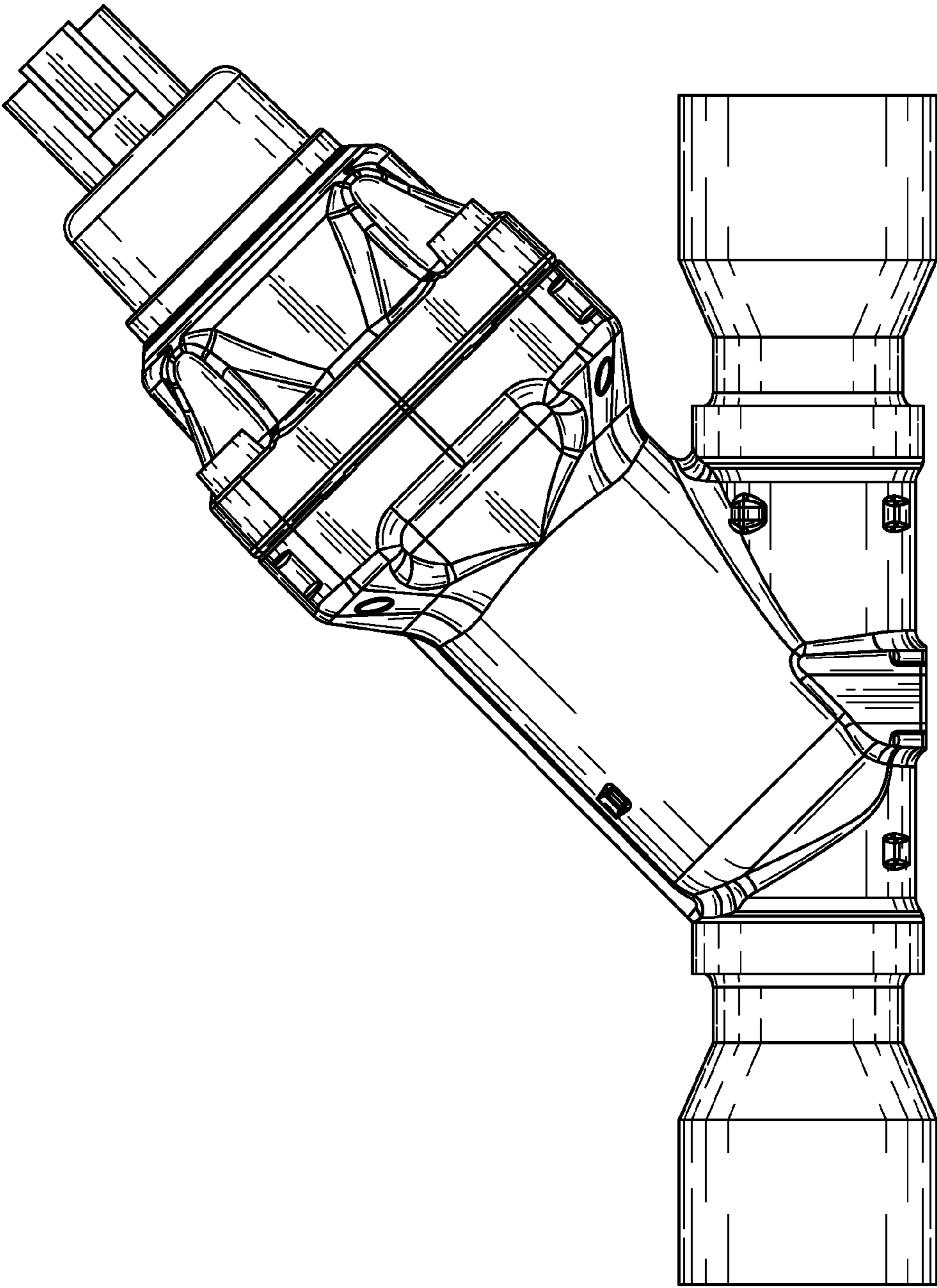


FIG. 7