



US00D692981S

(12) **United States Design Patent**
Fowler et al.

(10) **Patent No.:** **US D692,981 S**
(45) **Date of Patent:** **** Nov. 5, 2013**

(54) **COMBINED SHROUD AND HANDLE FOR A GAS CYLINDER**

(71) Applicants: **Zachary Fowler**, Kenmore, NY (US);
Gerald C. Squires, Clarence Center, NY (US); **Giancarlo Nicolini**, Brescia (IT)

(72) Inventors: **Zachary Fowler**, Kenmore, NY (US);
Gerald C. Squires, Clarence Center, NY (US); **Giancarlo Nicolini**, Brescia (IT)

(73) Assignee: **Praxair Technology, Inc.**, Danbury, CT (US)

(**) Term: **14 Years**

(21) Appl. No.: **29/436,498**

(22) Filed: **Nov. 6, 2012**

(51) **LOC (9) Cl.** **23-01**

(52) **U.S. Cl.**
USPC **D23/206**

(58) **Field of Classification Search**
USPC D23/206; 220/581, 724, 725; 137/377,
137/382

See application file for complete search history.

(56) **References Cited**

U.S. PATENT DOCUMENTS

D439,956 S *	4/2001	Nilsson	D23/260
7,703,821 B2 *	4/2010	Swain	294/27.1
D645,537 S *	9/2011	Squires et al.	D23/206
D647,997 S *	11/2011	Squires et al.	D23/206

* cited by examiner

Primary Examiner — Robin V Webster

(74) *Attorney, Agent, or Firm* — Donald T. Black

(57) **CLAIM**

The ornamental design for a combined shroud and handle for a gas cylinder, as shown and described.

DESCRIPTION

FIG. 1 is a top, front and right side perspective view of a combined shroud and handle for a gas cylinder, showing our new design;

FIG. 2 is a top, front and left side perspective view thereof;

FIG. 3 is a front plan view thereof;

FIG. 4 is a rear plan view thereof;

FIG. 5 is a right side plan view thereof;

FIG. 6 is a left side plan view thereof;

FIG. 7 is a top plan view thereof;

FIG. 8 is a bottom plan view thereof;

FIG. 9 is a top, front and right side perspective view of a combined shroud and handle for a gas cylinder, showing our new design in an illustrative environment;

FIG. 10 is a top, front and left side perspective view thereof;

FIG. 11 is a front plan view thereof;

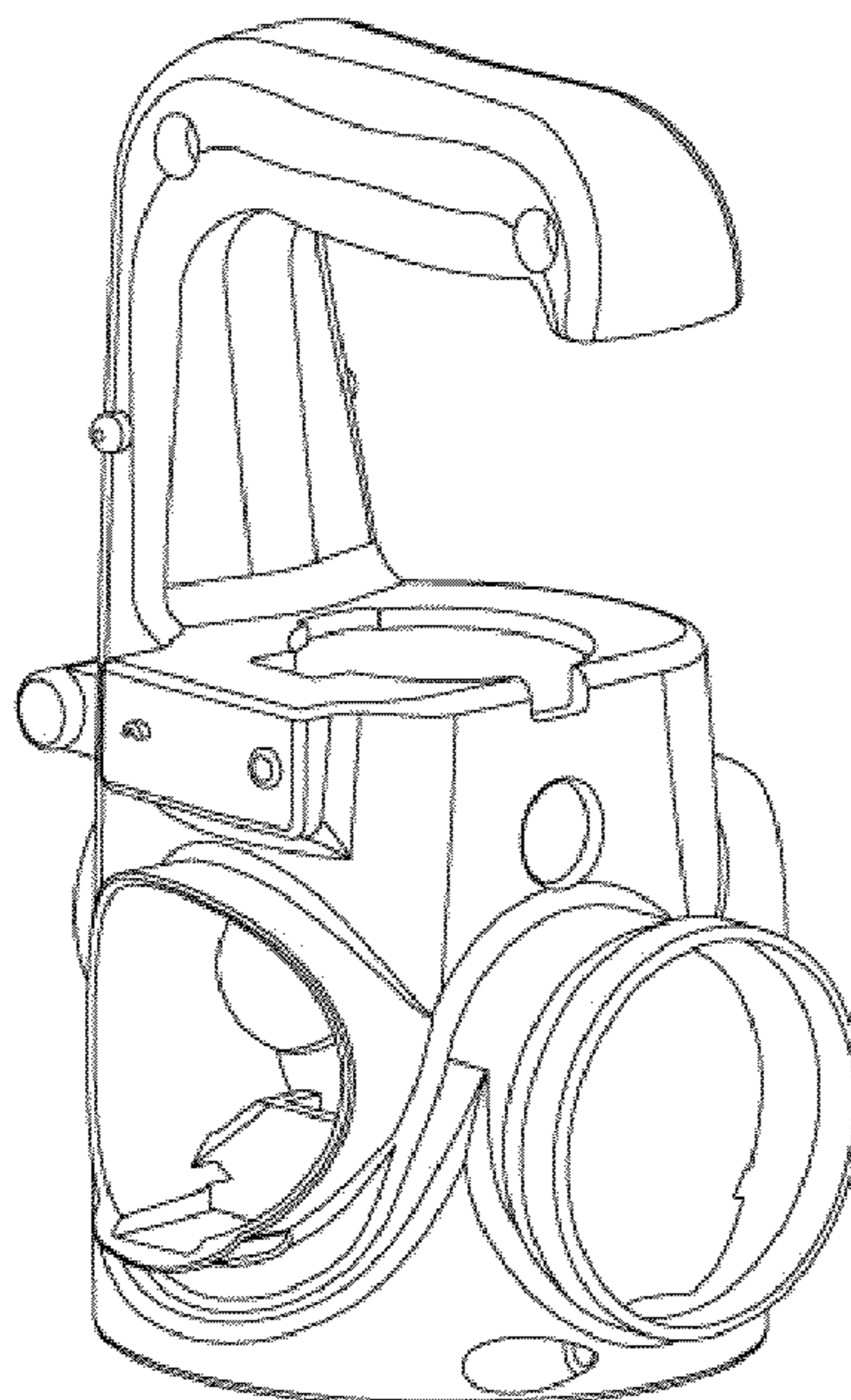
FIG. 12 is a rear plan view thereof;

FIG. 13 is a right side plan view thereof; and,

FIG. 14 is a left side plan view thereof.

The broken lines showing a portion of a gas cylinder and apparatus associated with the gas cylinder are for the purposes of illustrating environment and form no part of the claimed design.

1 Claim, 7 Drawing Sheets



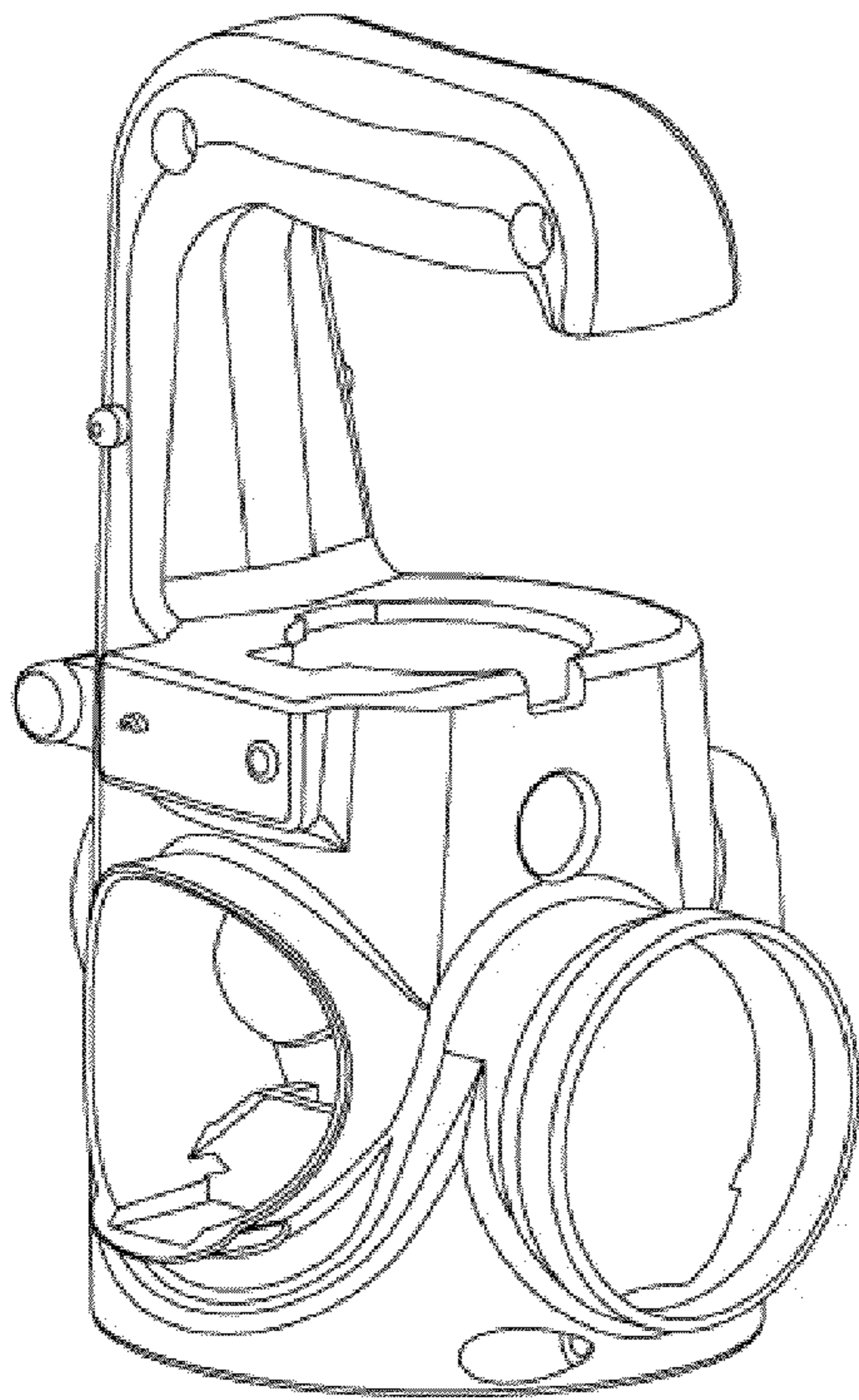


Fig. 1

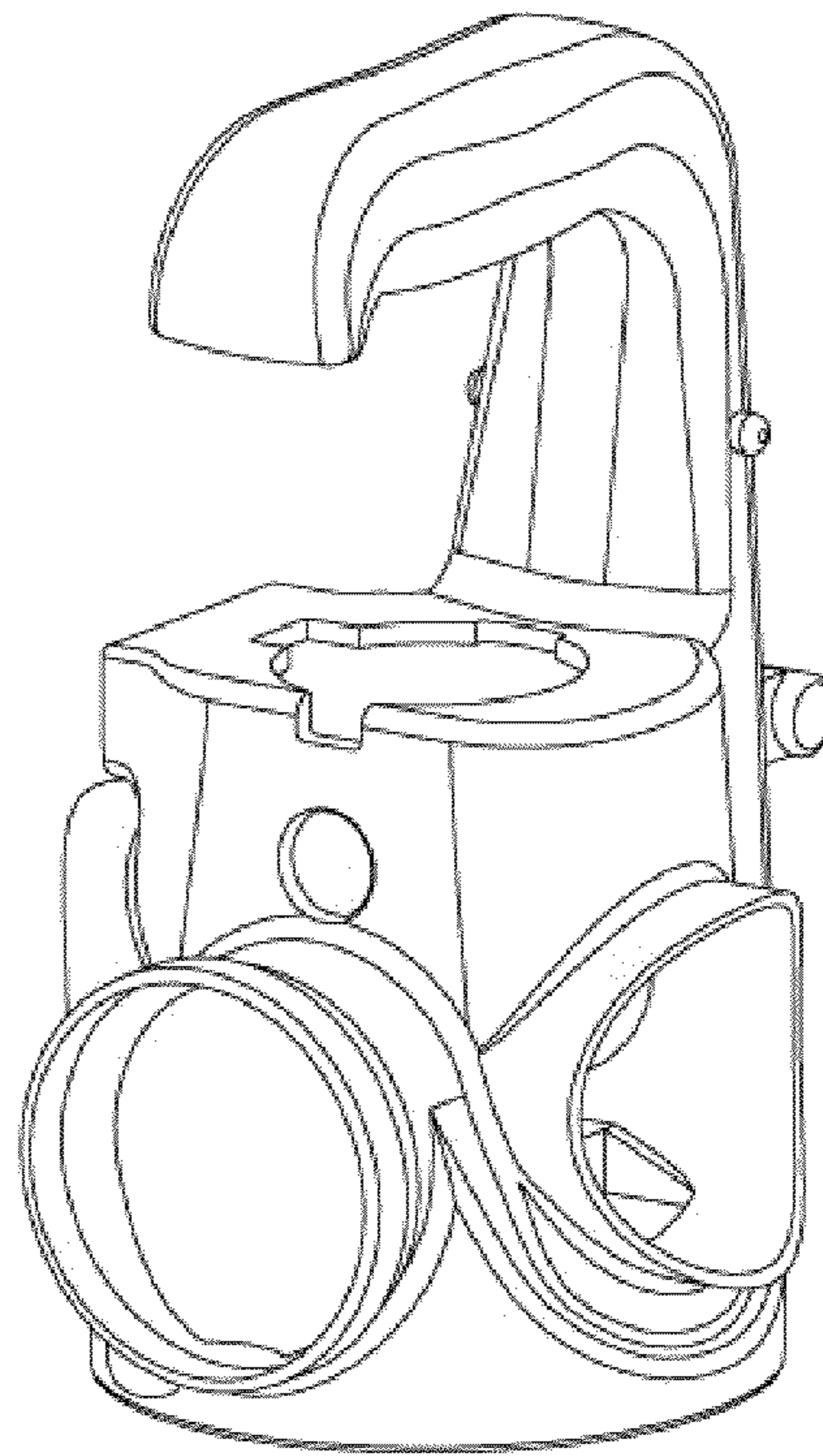


Fig. 2

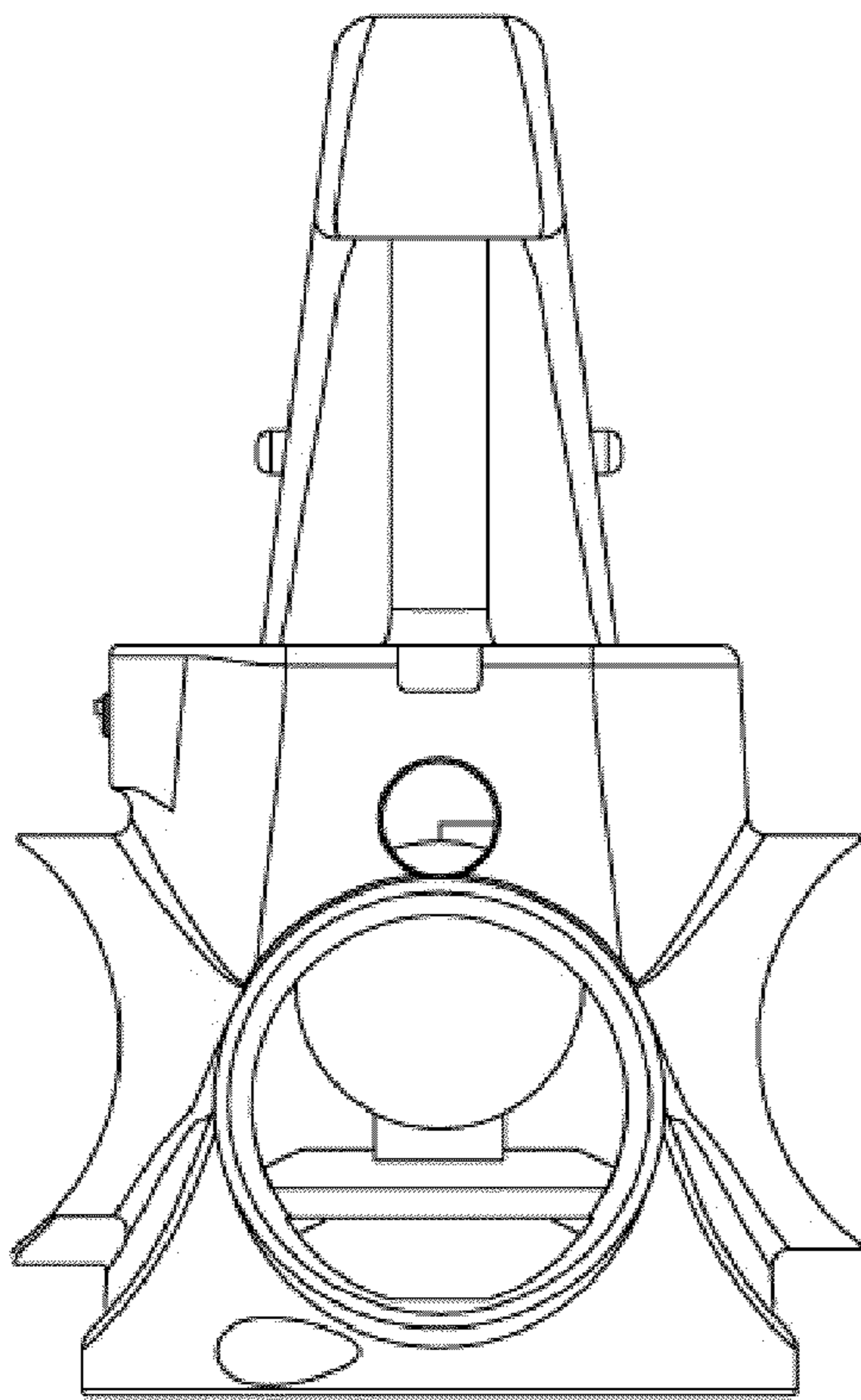


Fig.3

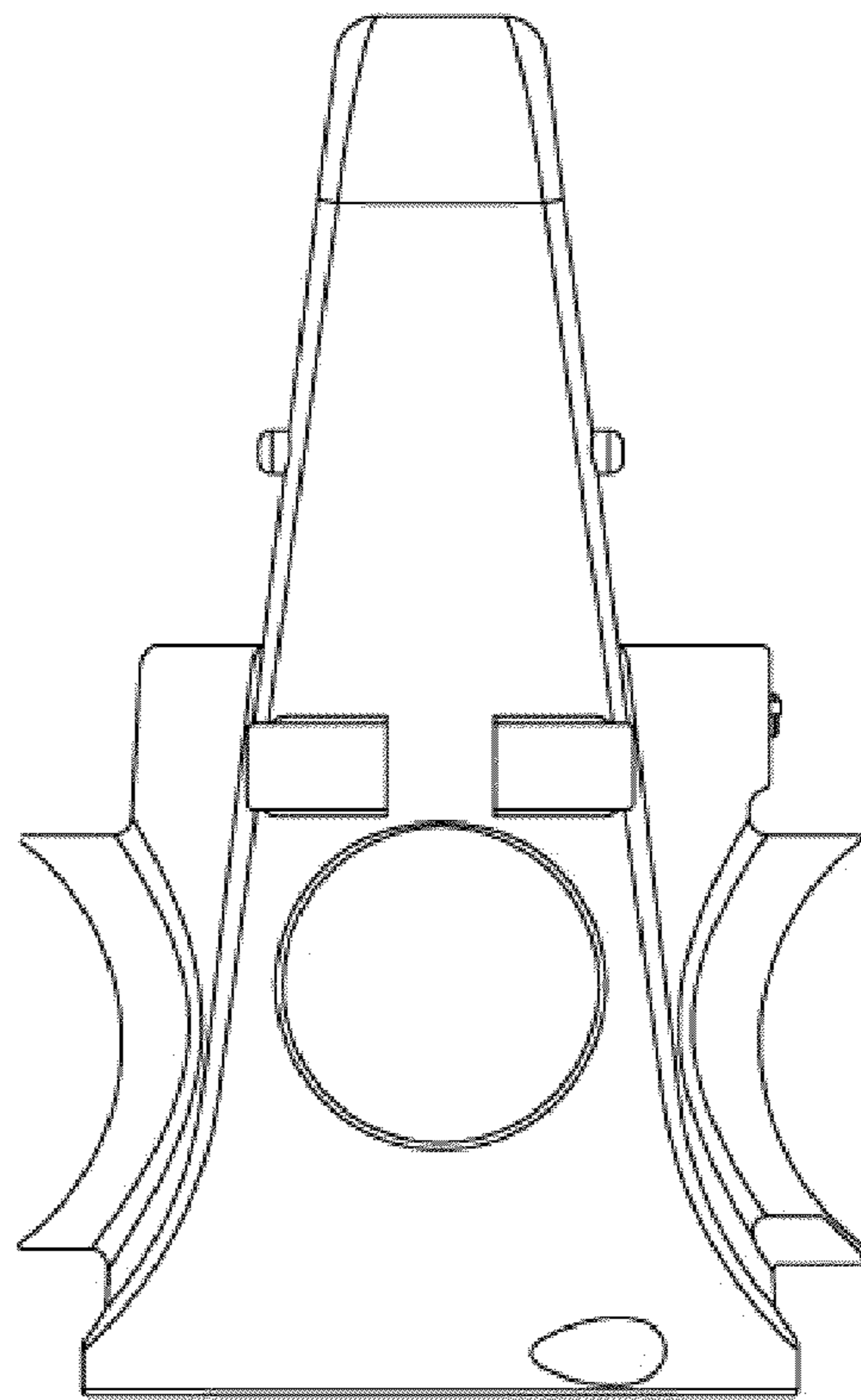


Fig.4

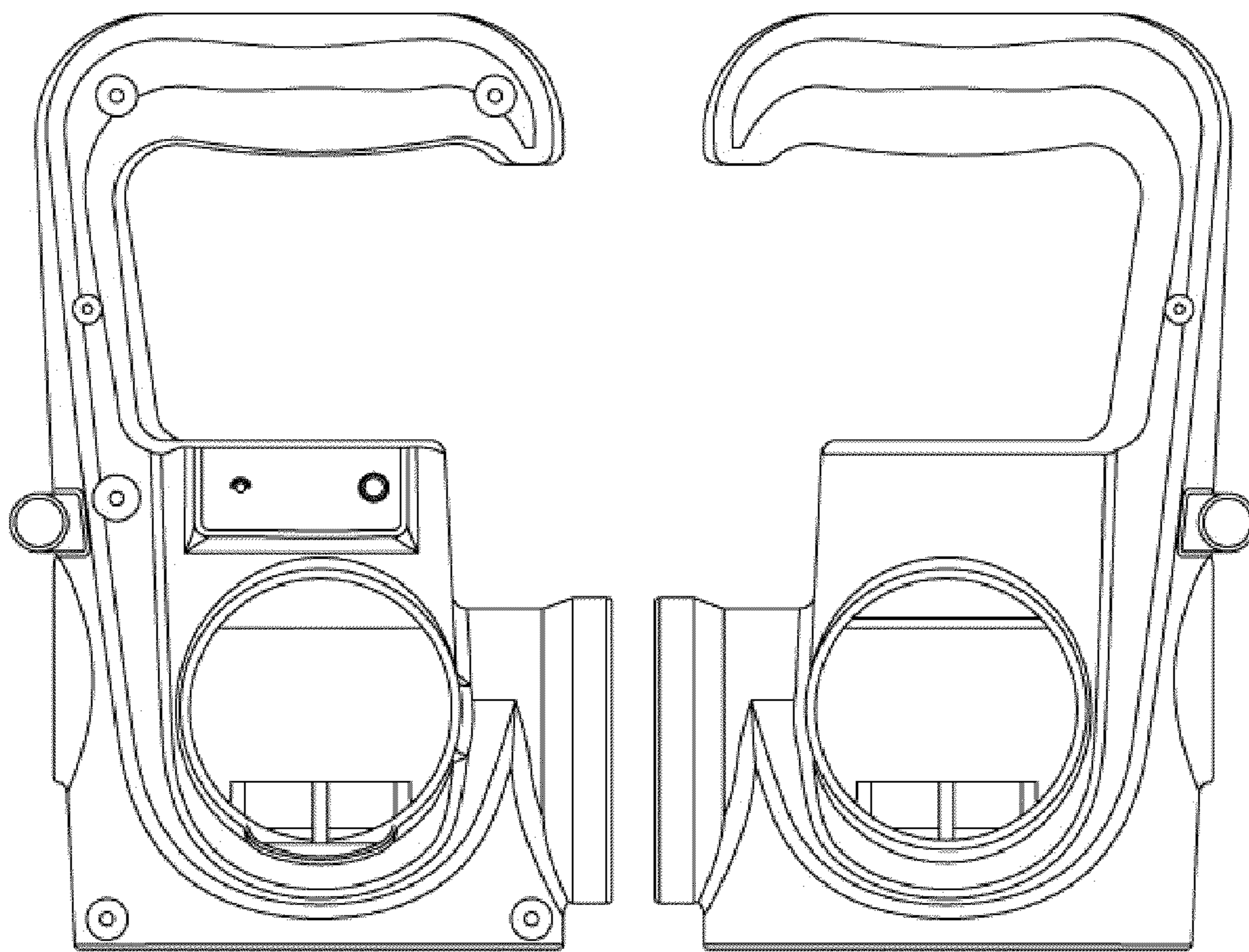


Fig. 5

Fig. 6

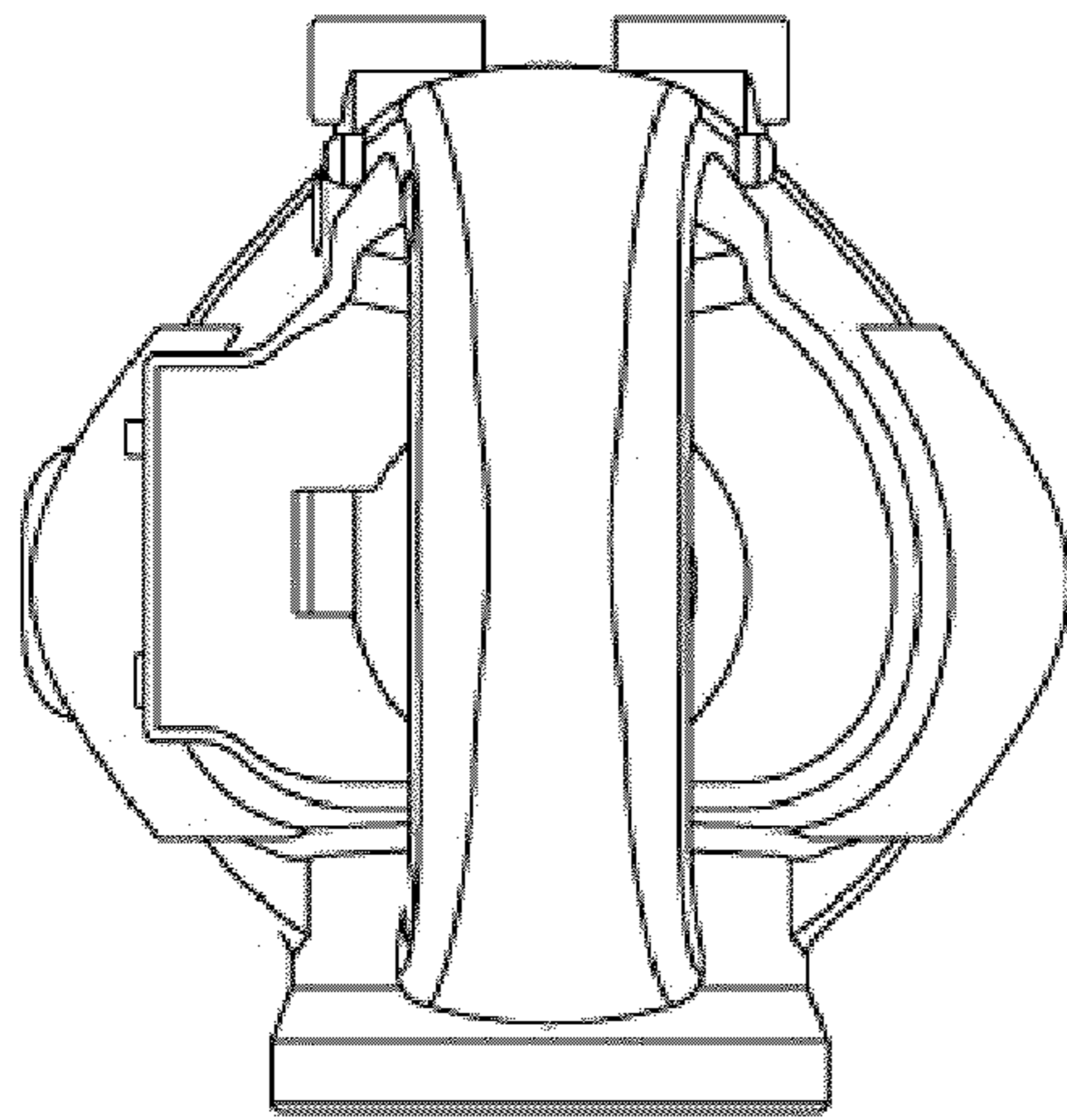


Fig. 7

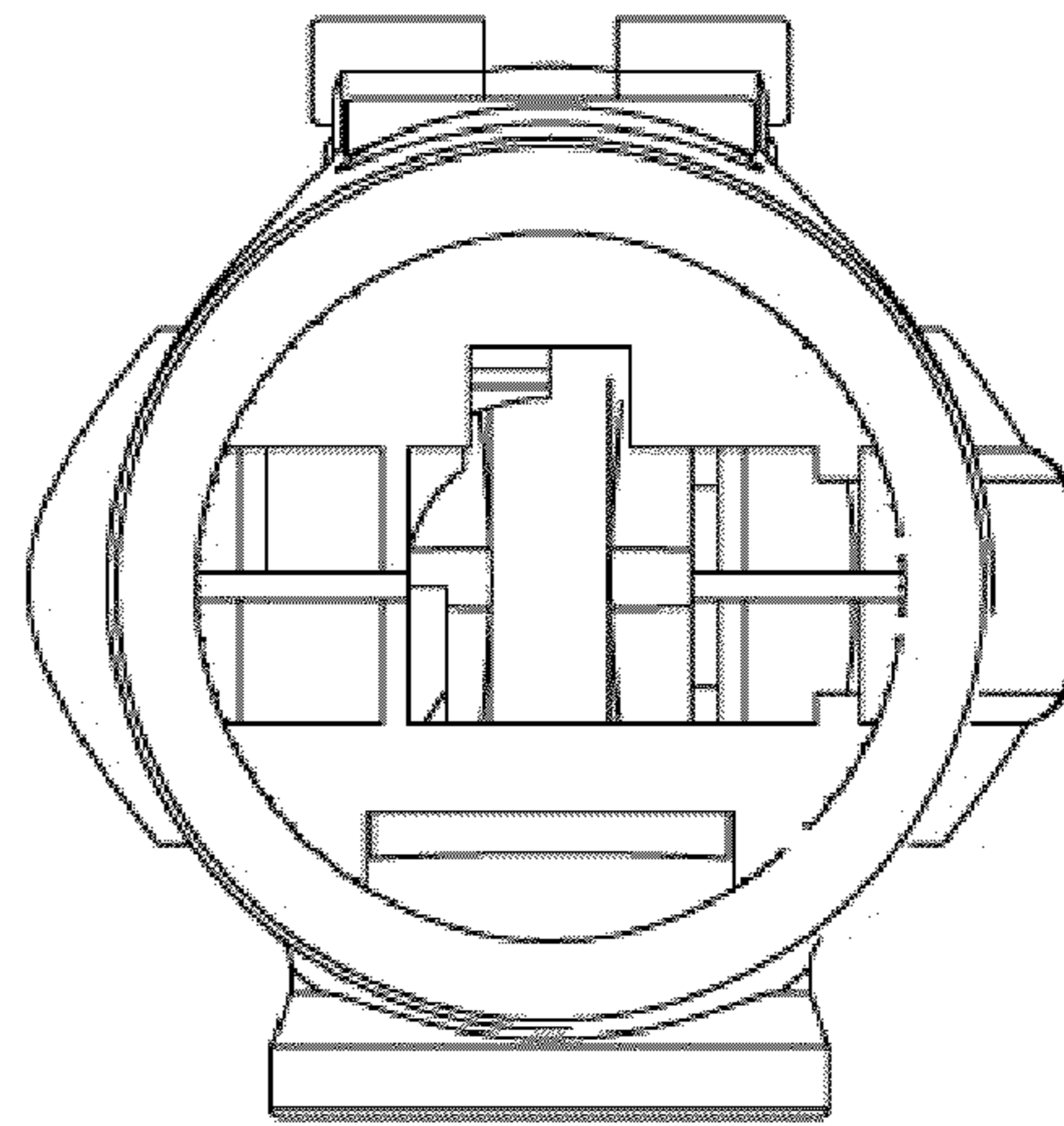


Fig. 8

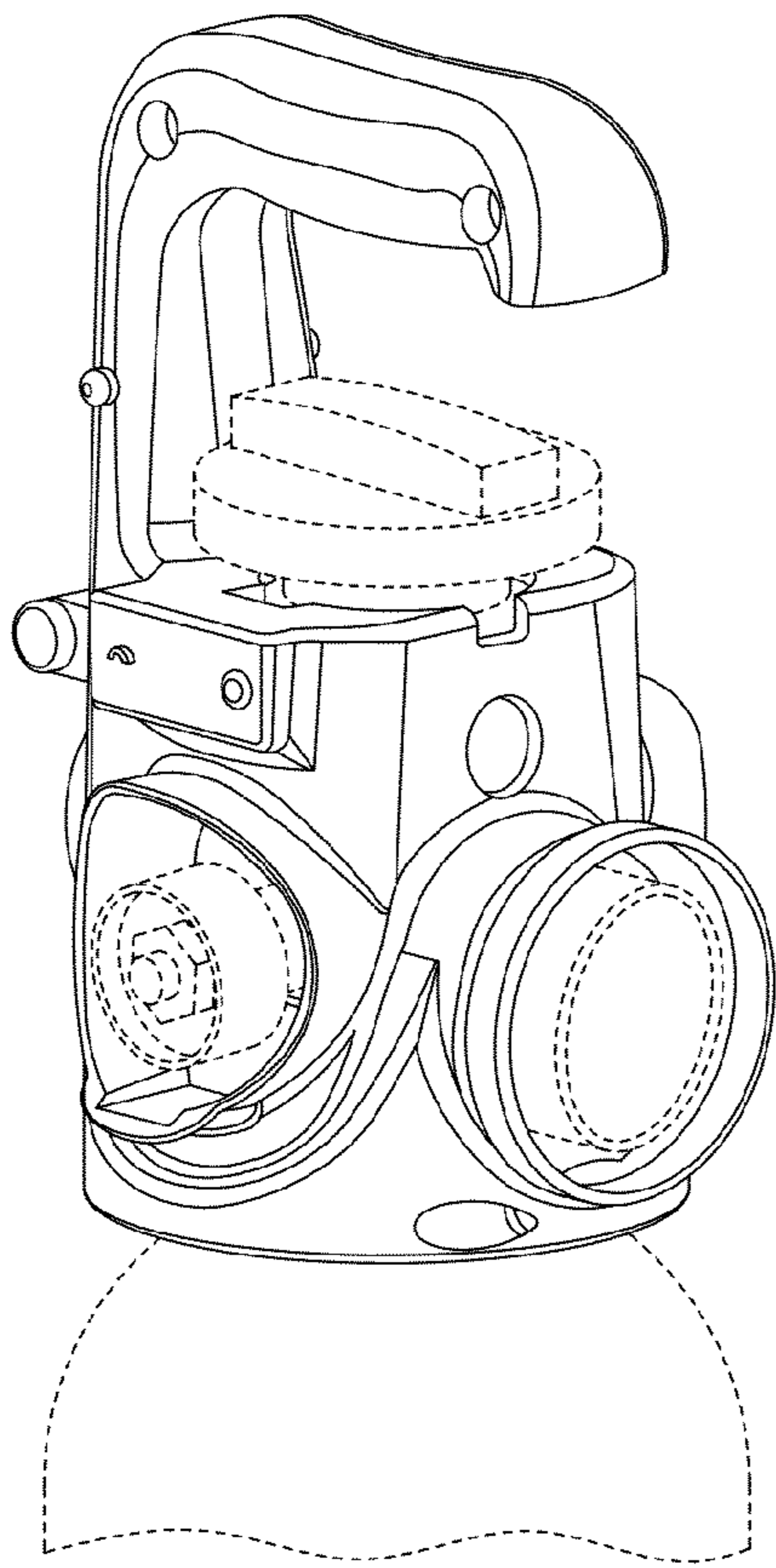


Fig. 9

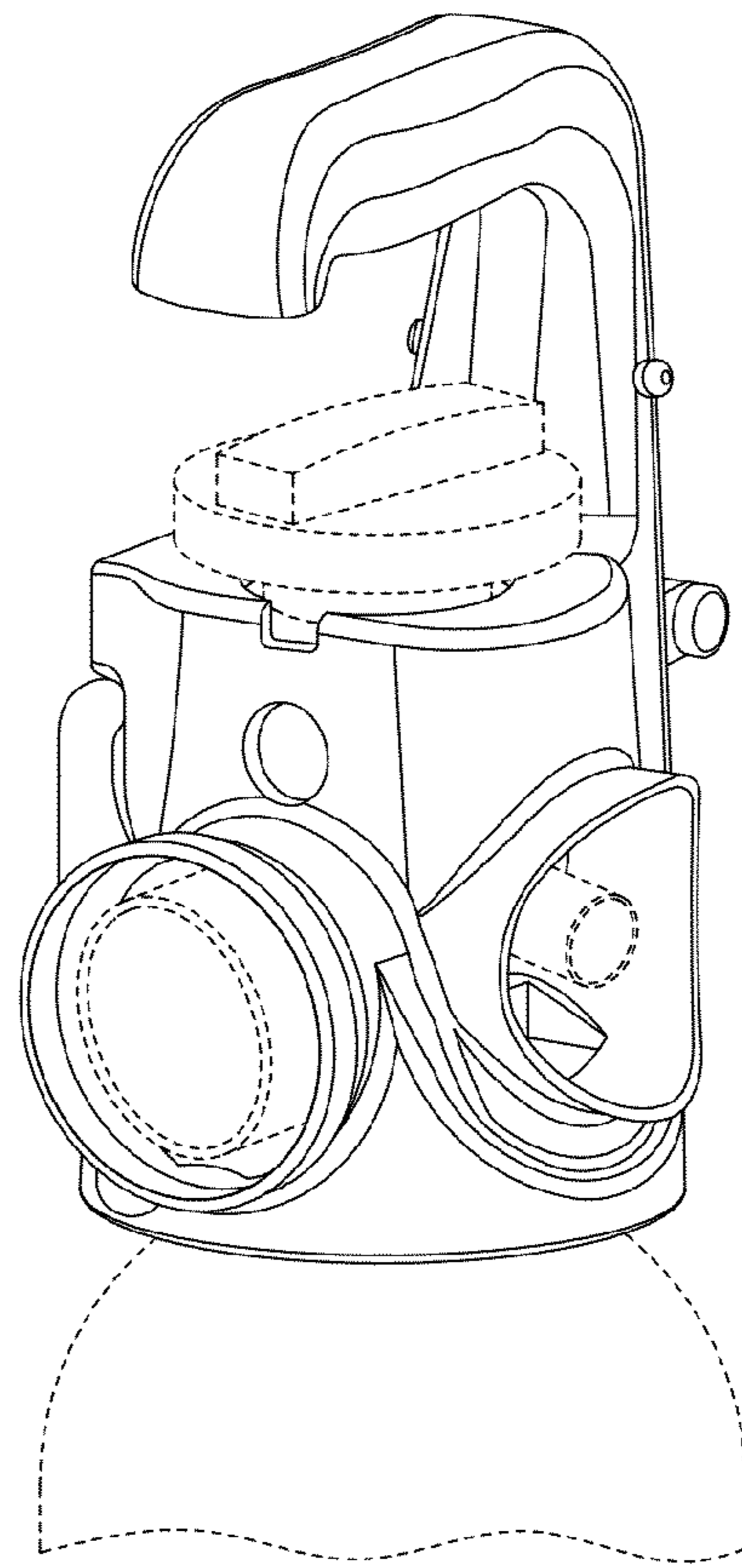


Fig. 10

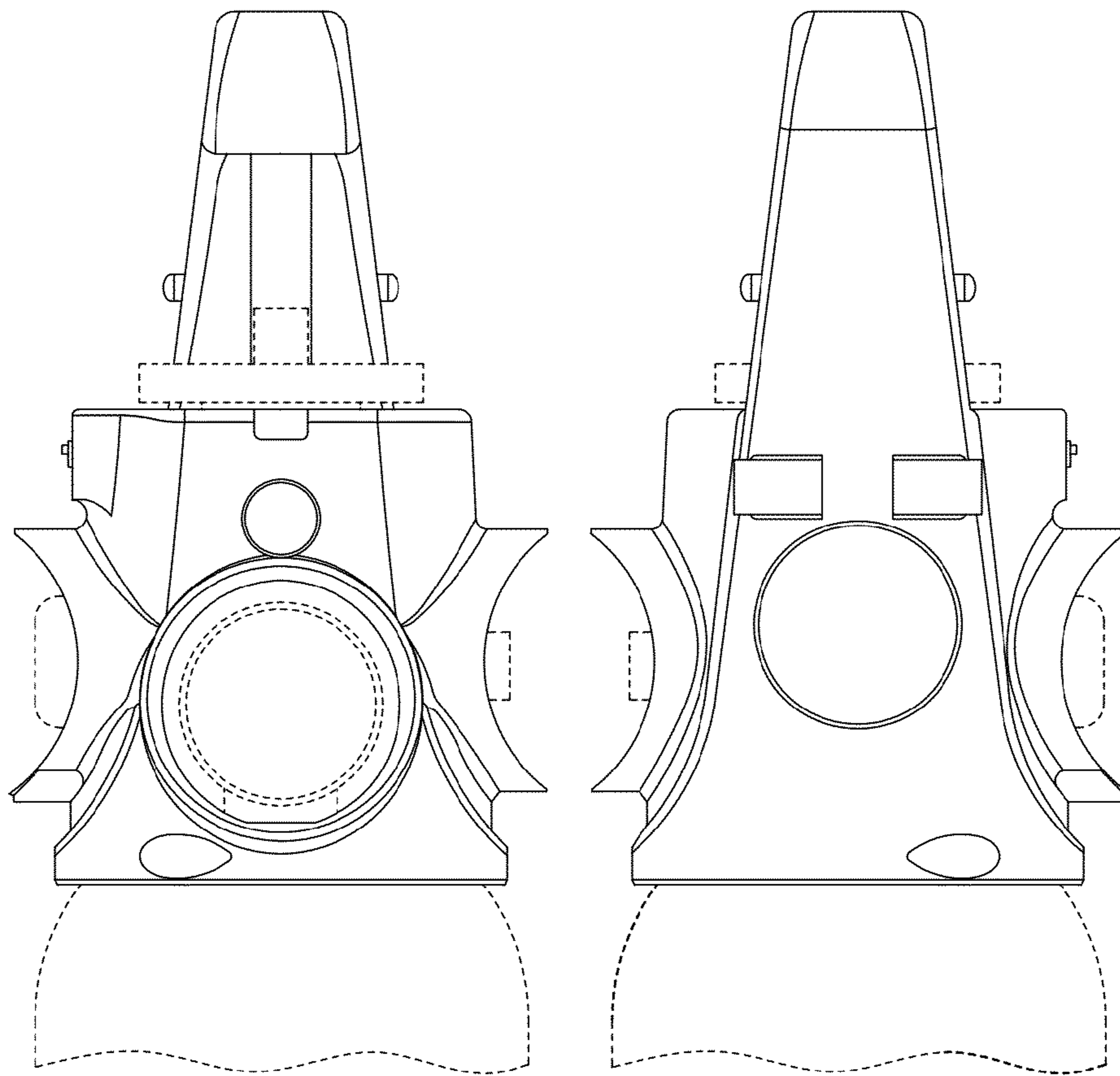


Fig. 11

Fig. 12

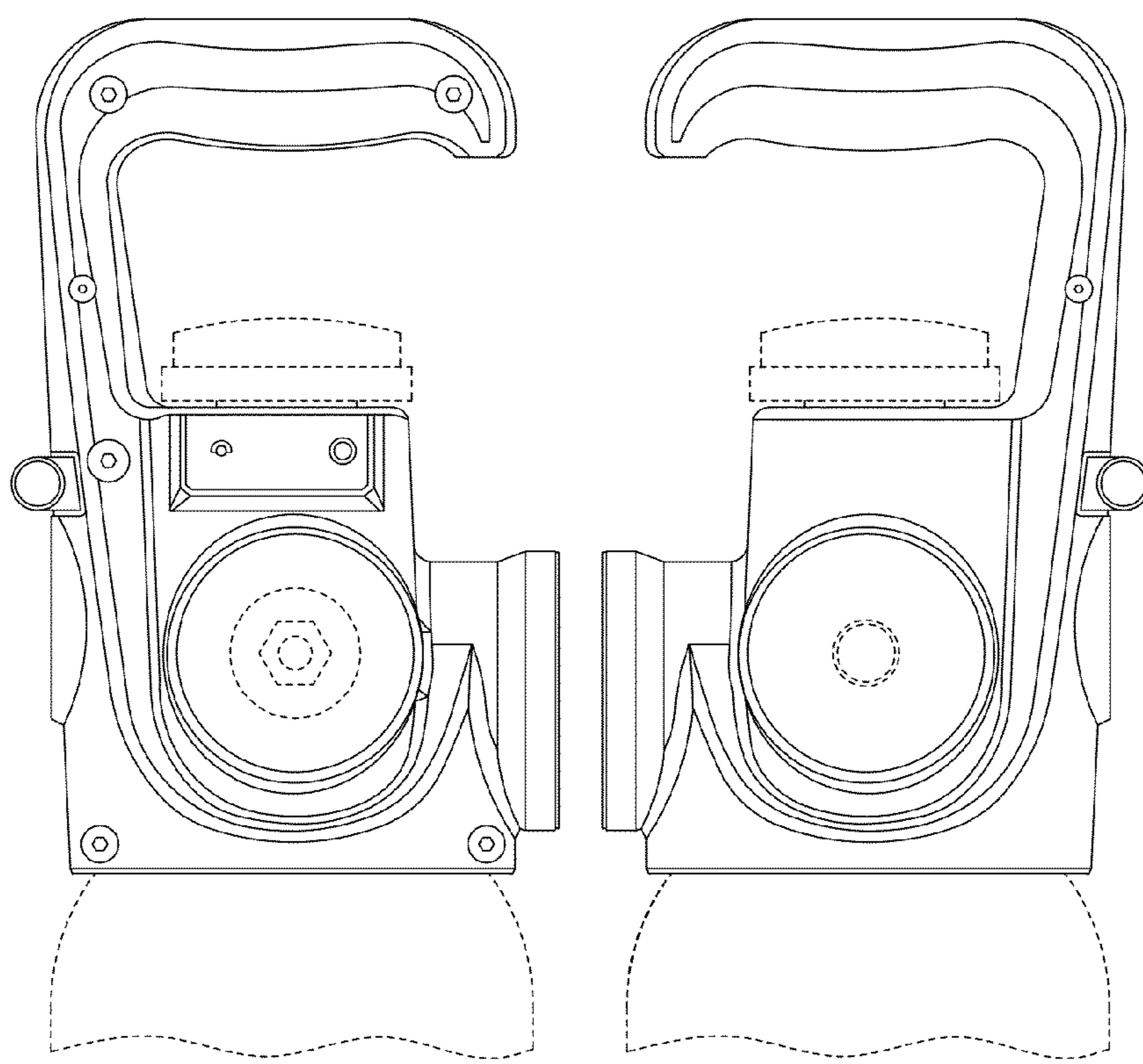


Fig. 13

Fig. 14