



US00D692980S

(12) **United States Design Patent**  
**Quick et al.**

(10) **Patent No.:** **US D692,980 S**  
(45) **Date of Patent:** **\*\* Nov. 5, 2013**

(54) **GAS CYLINDER CAP**

(71) Applicant: **L’Air Liquide, Société Anonyme pour l’Etude et l’Exploitation des Procédés Georges Claude**, Paris (FR)

(72) Inventors: **Holger Quick**, Tutzing (DE); **Renaud Ligonesche**, Paris (FR)

(73) Assignee: **L’Air Liquide, Société Anonyme pour l’Etude et l’Exploration des Procédés Georges Claude**, Paris (FR)

(\*\*) Term: **14 Years**

(21) Appl. No.: **29/435,018**

(22) Filed: **Oct. 18, 2012**

(30) **Foreign Application Priority Data**

Apr. 19, 2012 (WO) ..... 664886101

(51) **LOC (9) Cl.** ..... **23-01**

(52) **U.S. Cl.**  
USPC ..... **D23/206**

(58) **Field of Classification Search**  
USPC ..... D23/202–206; 220/581, 724, 725;  
137/377, 382

See application file for complete search history.

(56) **References Cited**

U.S. PATENT DOCUMENTS

1,552,979	A *	9/1925	Billings	.....	220/724
4,332,331	A *	6/1982	Fawley	.....	220/726
4,521,676	A *	6/1985	Poulsen	.....	235/375
6,311,722	B1 *	11/2001	Gounot et al.	.....	137/382

\* cited by examiner

*Primary Examiner* — Robin V Webster

(74) *Attorney, Agent, or Firm* — Allen E. White

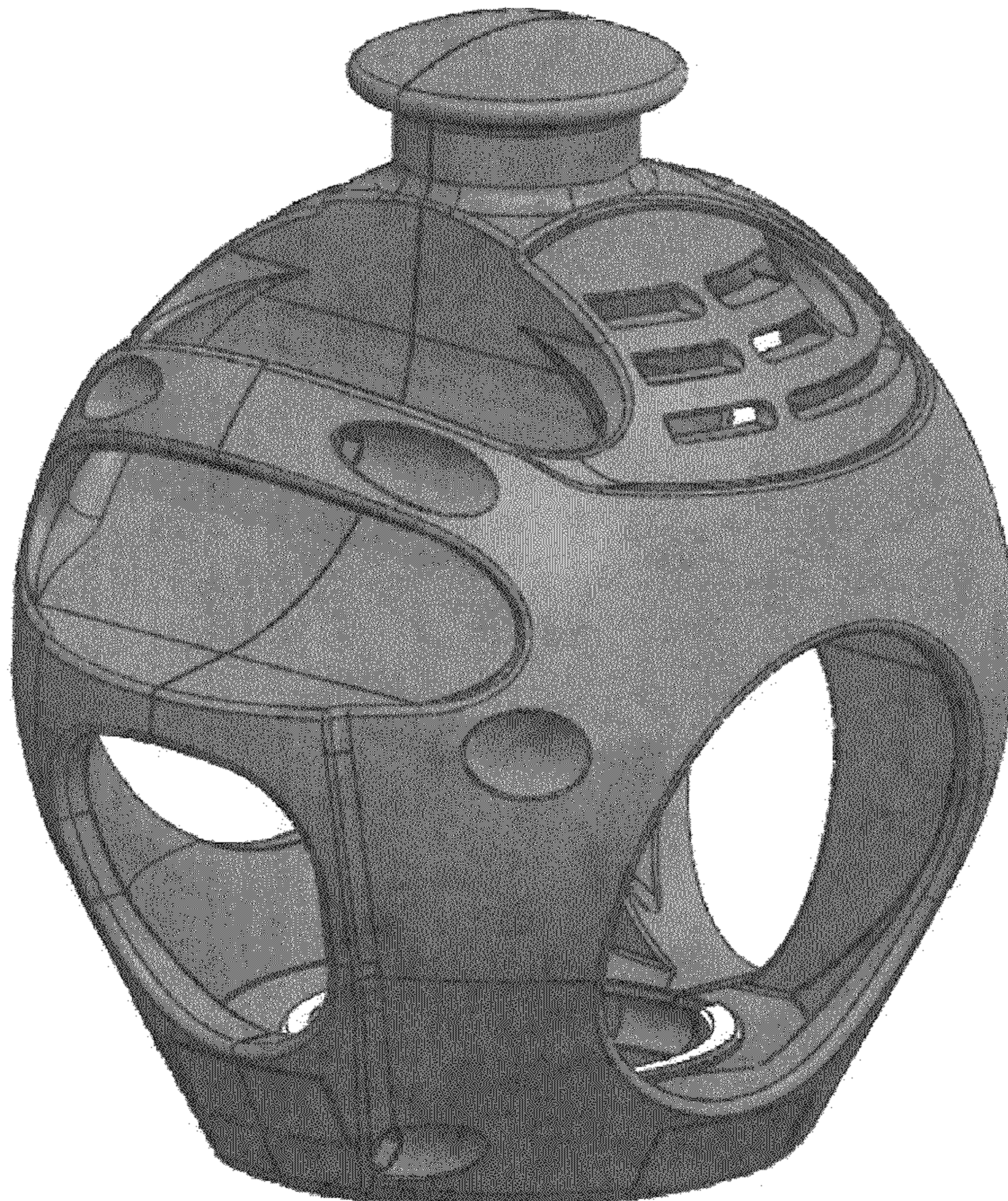
(57) **CLAIM**

The ornamental design for a gas cylinder cap, as shown and described.

**DESCRIPTION**

FIG. 1 is a front side view of a gas cylinder cap.  
FIG. 2 is a side view of a gas cylinder cap.  
FIG. 3 is a side view of a gas cylinder cap.  
FIG. 4 is an isometric view of a gas cylinder cap.  
FIG. 5 is a side view of a gas cylinder cap.  
FIG. 6 is an isometric view of a gas cylinder cap; and,  
FIG. 7 is a top plan view of a gas cylinder cap.

**1 Claim, 7 Drawing Sheets**



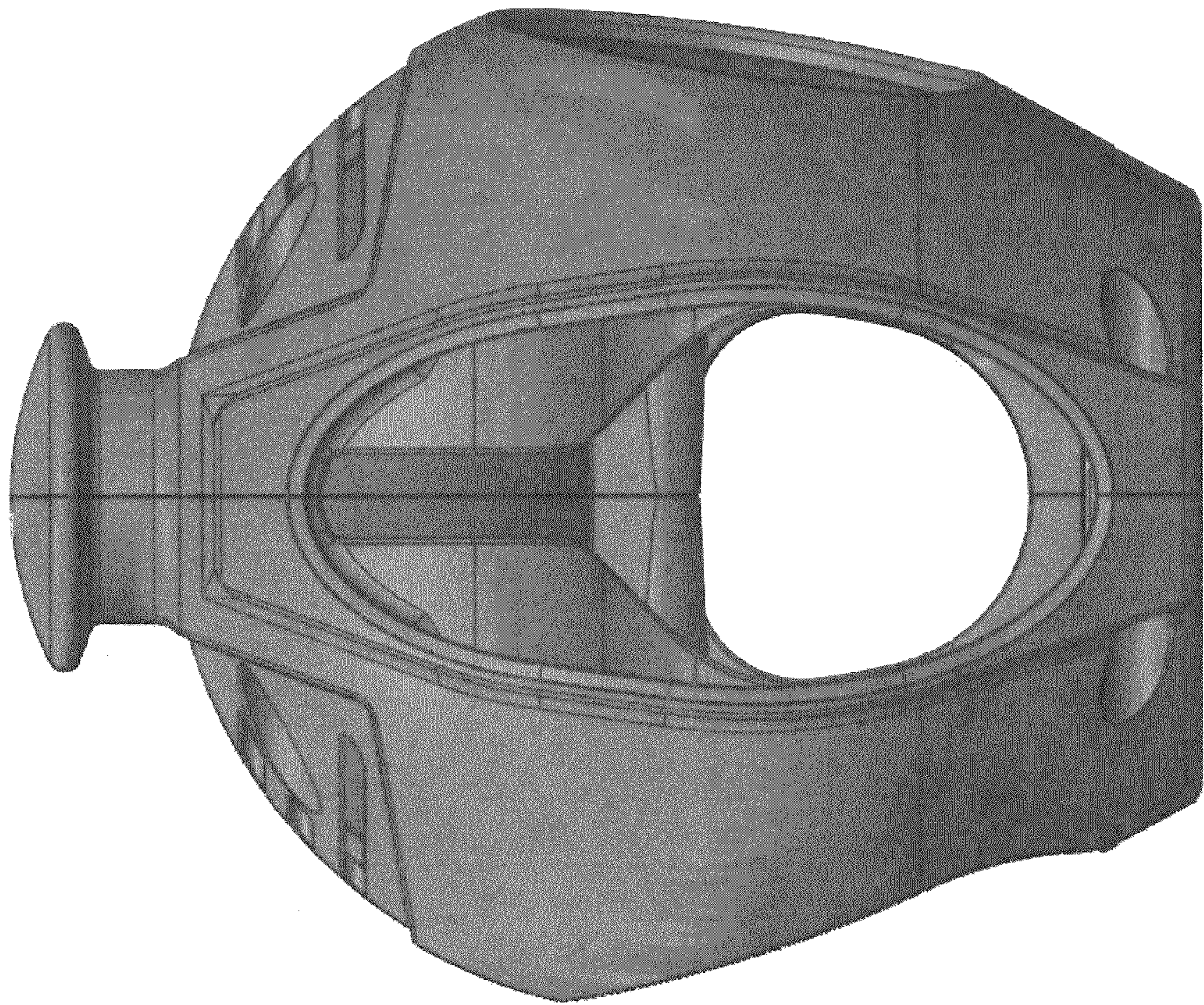


Fig. 1

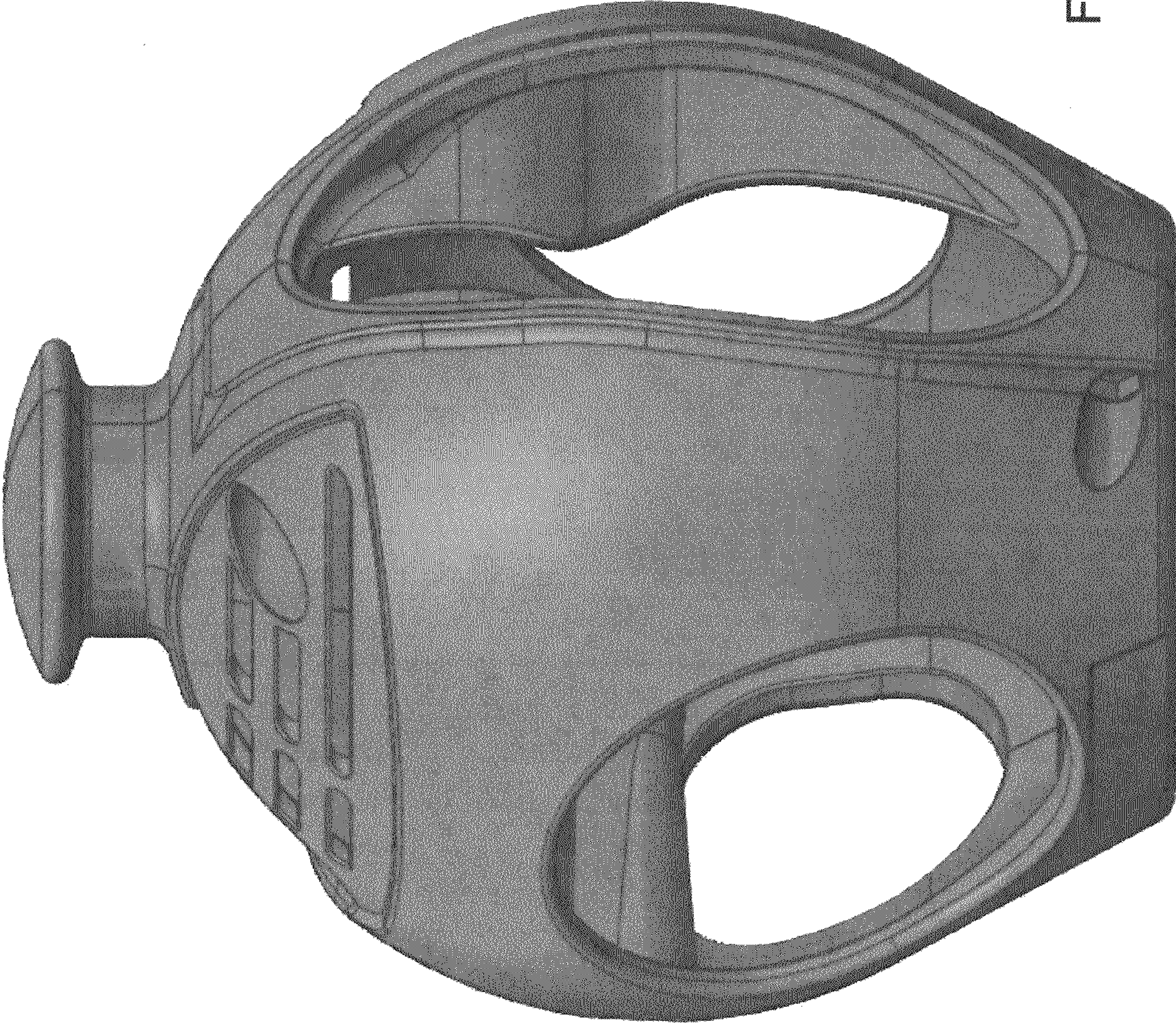


Fig. 2

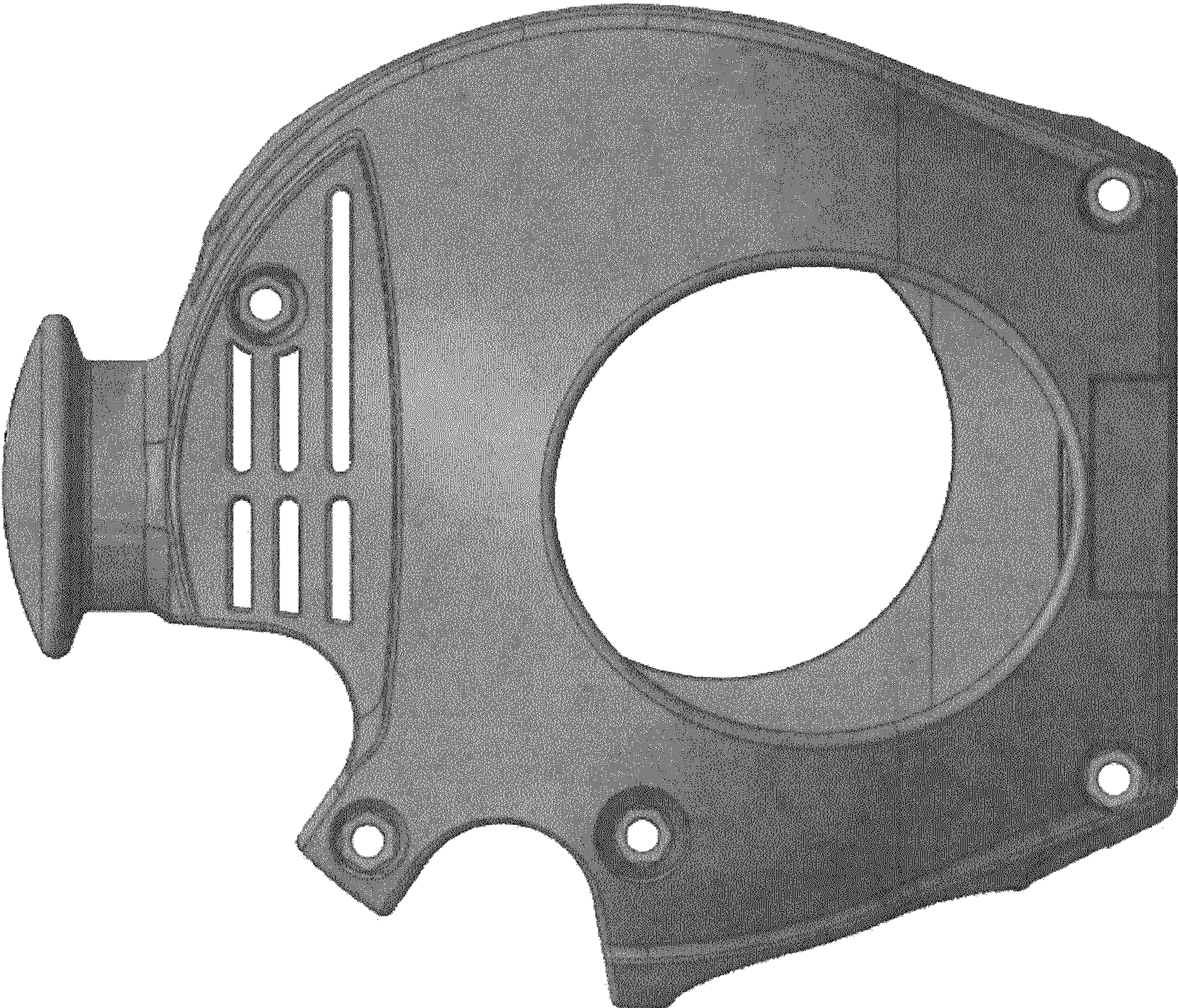


Fig. 3

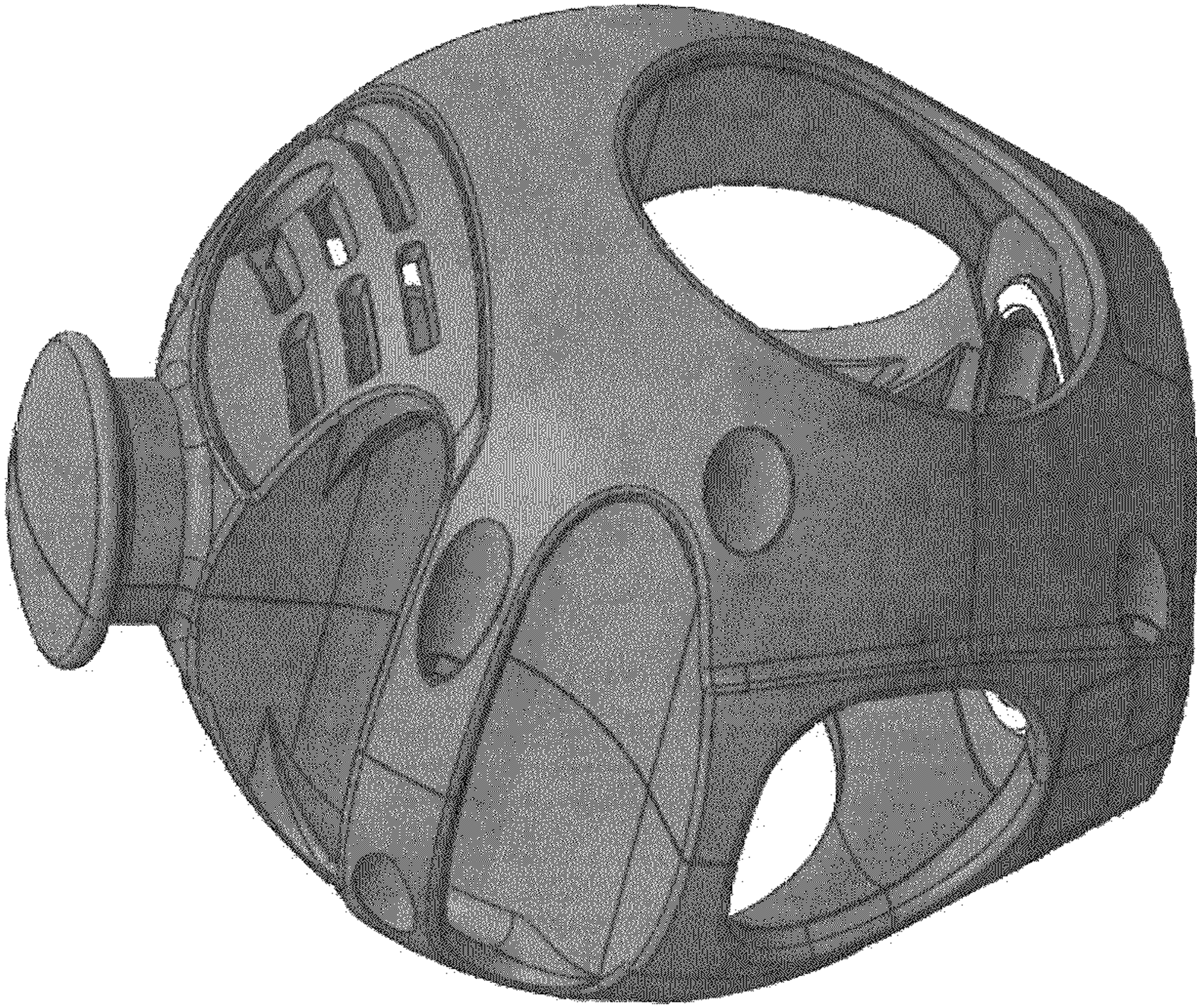


Fig. 4

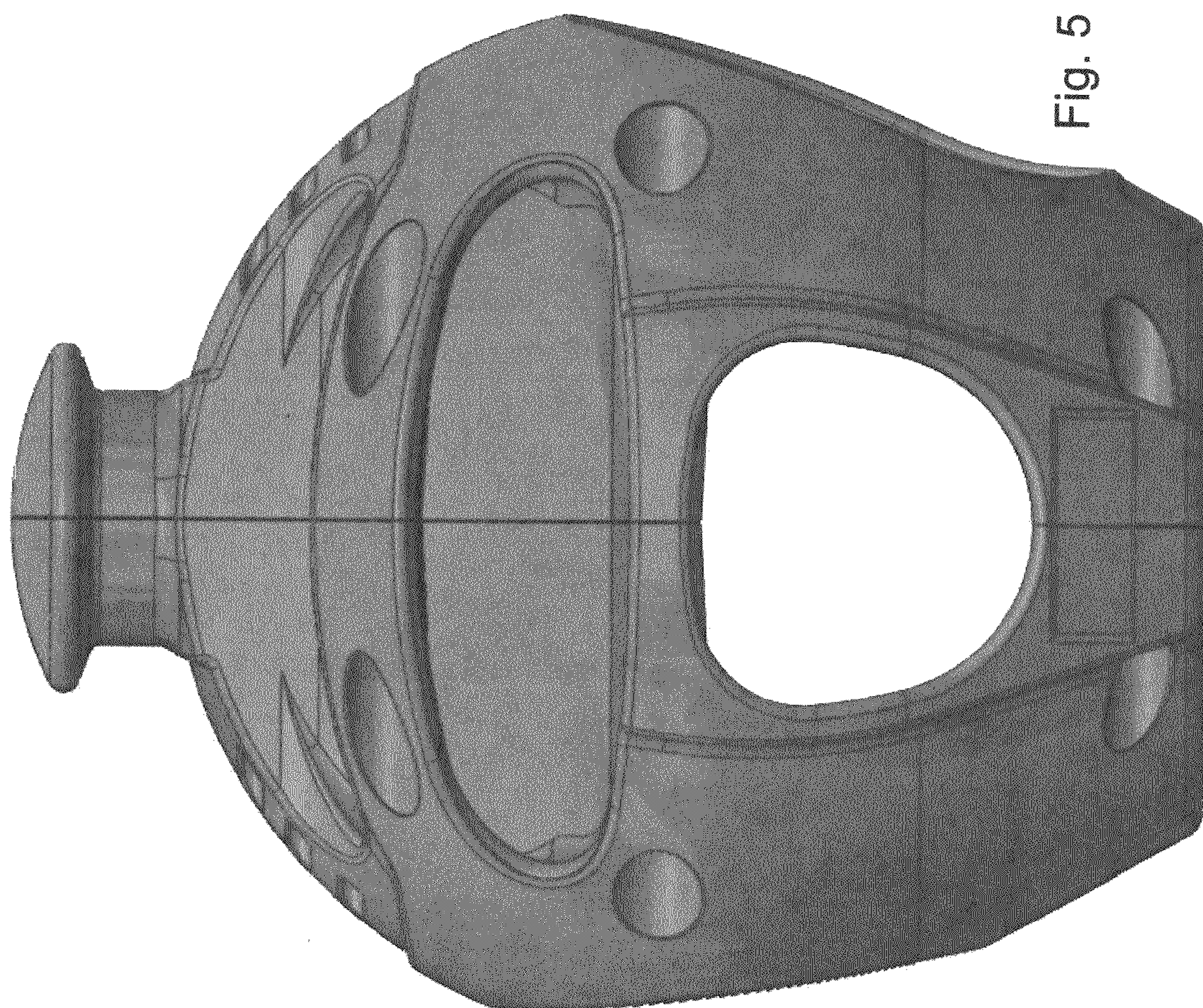


Fig. 5

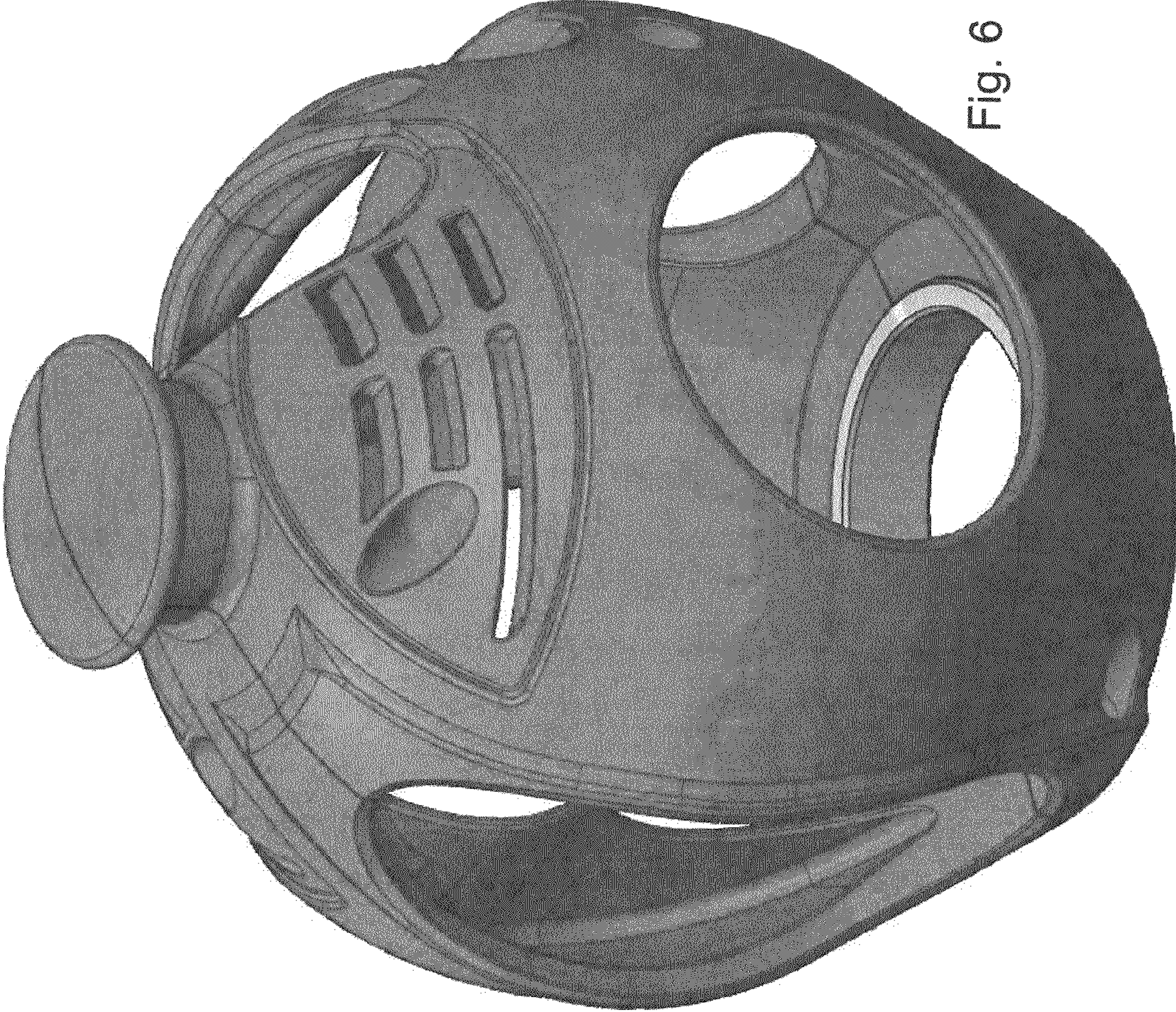


Fig. 6

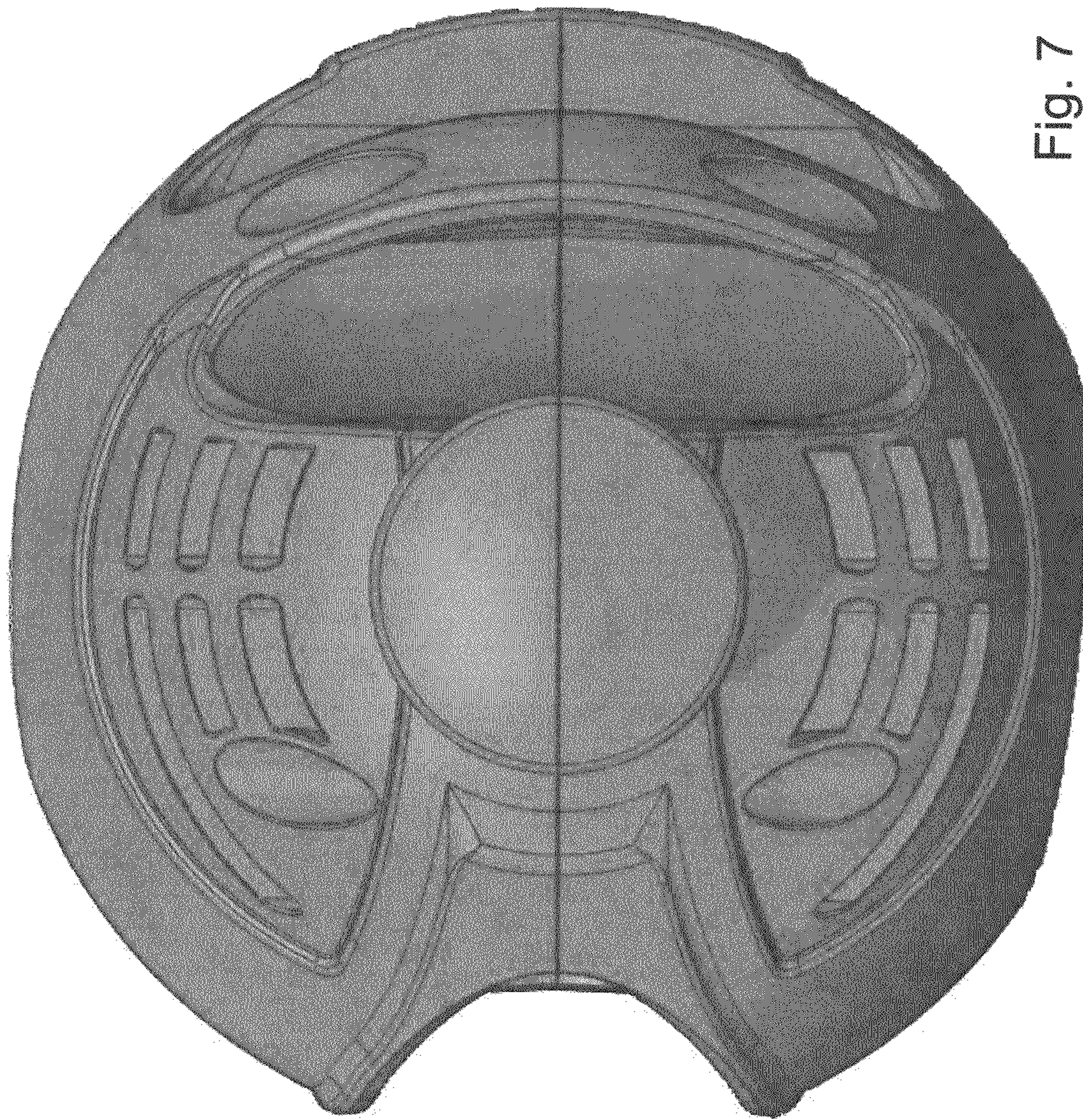


Fig. 7



UNITED STATES PATENT AND TRADEMARK OFFICE  
**CERTIFICATE OF CORRECTION**

PATENT NO. : D692,980 S  
APPLICATION NO. : 29/435018  
DATED : November 5, 2013  
INVENTOR(S) : Holger Quick et al.

Page 1 of 1

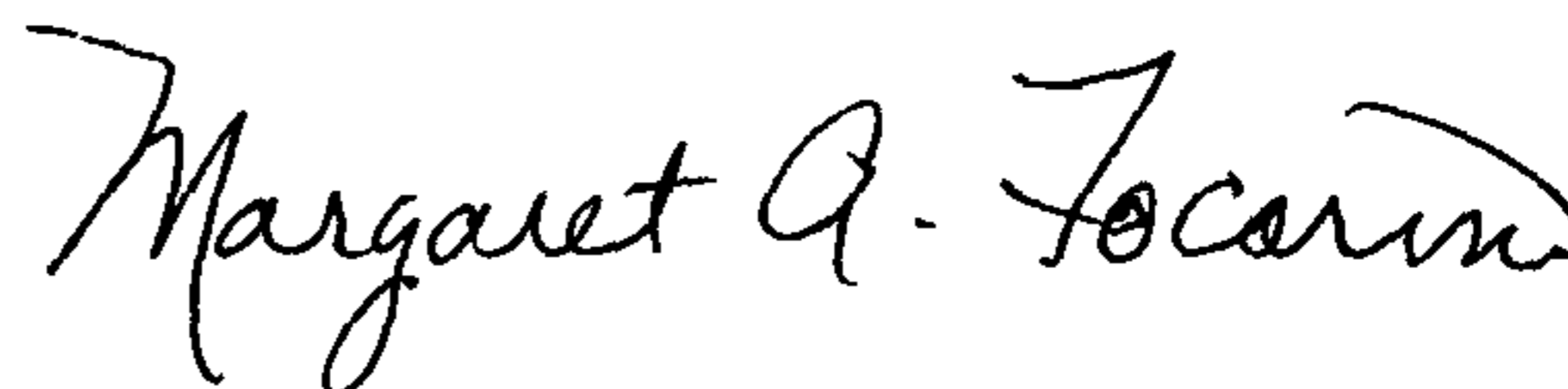
It is certified that error appears in the above-identified patent and that said Letters Patent is hereby corrected as shown below:

Title page

Item (73) Assignee:

Change "L'Air Liquide, Société Anonyme pour l'Etude et l'Exploration des Procédés Georges Claude, Paris (FR)" to --L'Air Liquide, Société Anonyme pour l'Étude et l'Exploitation des Procédés Georges Claude, Paris (FR)--

Signed and Sealed this  
Seventeenth Day of December, 2013



Margaret A. Focarino  
*Commissioner for Patents of the United States Patent and Trademark Office*