



US00D692978S

(12) **United States Design Patent**  
**Taricco**

(10) **Patent No.:** **US D692,978 S**  
(45) **Date of Patent:** **\*\* Nov. 5, 2013**

- (54) **TANK SADDLE**
- (76) Inventor: **Tari Taricco**, Las Vegas, NV (US)
- (\*\*) Term: **14 Years**
- (21) Appl. No.: **29/406,652**
- (22) Filed: **Nov. 17, 2011**
- (51) **LOC (9) Cl.** ..... **23-01**
- (52) **U.S. Cl.**  
USPC ..... **D23/206**
- (58) **Field of Classification Search**  
USPC ..... D23/206; D8/373; 248/310, 309.1, 312,  
248/311.2, 346.01, 346.03, 346.05, 146;  
211/71.01  
See application file for complete search history.

(56) **References Cited**

**U.S. PATENT DOCUMENTS**

4,442,991	A *	4/1984	Levens	.....	248/146
D319,003	S *	8/1991	Scharrenberg, Jr.	.....	D8/373
5,346,165	A *	9/1994	Frean et al.	.....	248/146
7,384,020	B2 *	6/2008	Hsu	.....	248/146
D661,371	S *	6/2012	Willard et al.	.....	D23/206

**OTHER PUBLICATIONS**

Taricco Corporation, "Company Brochure", (Feb. 6, 2009), pp. 1 and 5.

\* cited by examiner

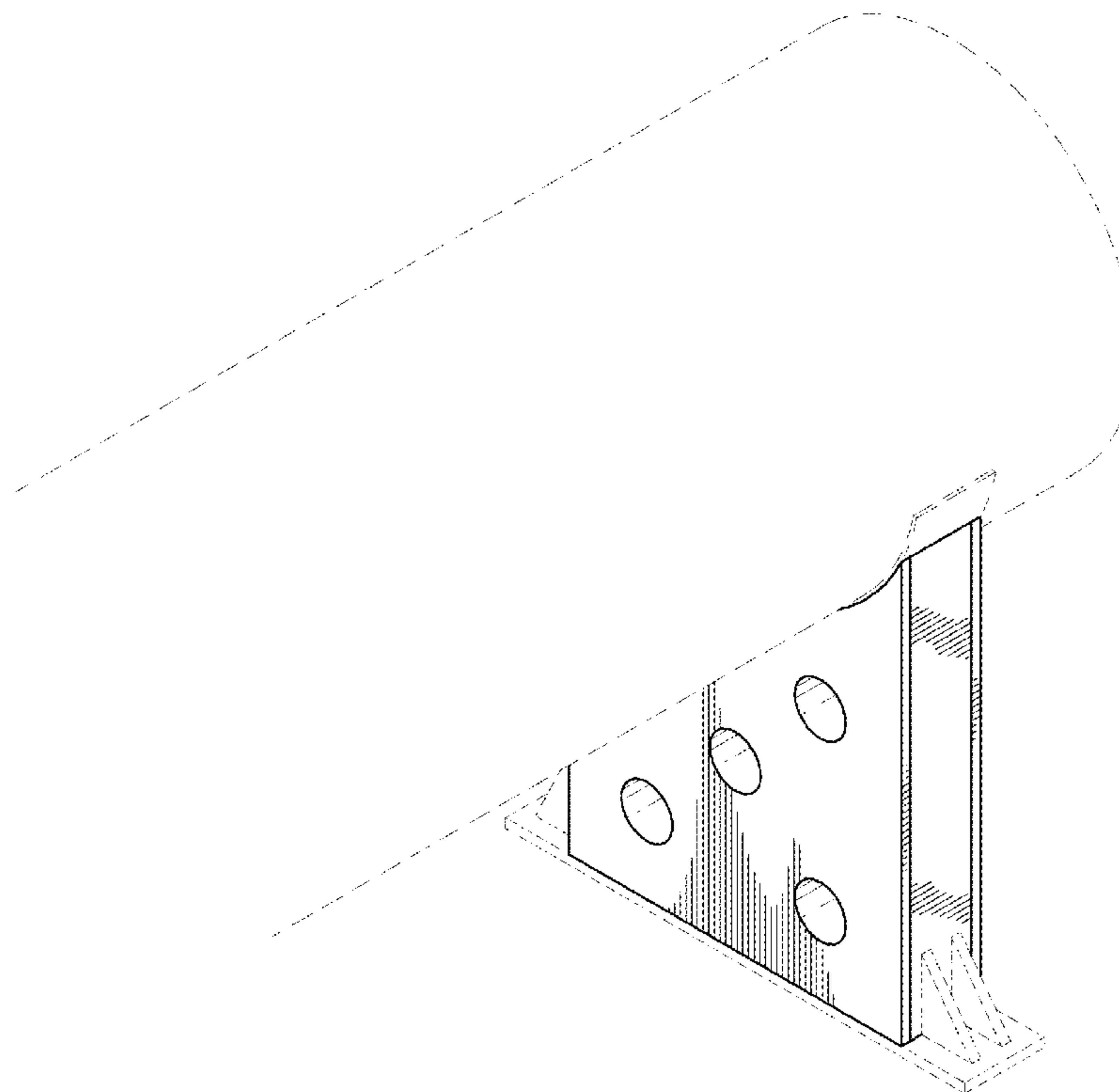
*Primary Examiner* — Robin V Webster  
(74) *Attorney, Agent, or Firm* — Blakely Sokoloff Taylor & Zafman LLP

(57) **CLAIM**  
The ornamental design for tank saddle, as shown and described.

**DESCRIPTION**

FIG. 1 is a perspective view of a first embodiment of the tank saddle.  
 FIG. 2 is a top view of a first embodiment of the tank saddle.  
 FIG. 3 is a front view of a first embodiment of the tank saddle.  
 FIG. 4 is a first side view of a first embodiment of the tank saddle.  
 FIG. 5 is a second side view of a first embodiment of the tank saddle.  
 FIG. 6 is a rear view of a first embodiment of the tank saddle.  
 FIG. 7 is a bottom view of a first embodiment of the tank saddle.  
 FIG. 8 is a top view of an alternate embodiment of the tank saddle.  
 FIG. 9 is a front view of the alternate embodiment of the tank saddle; and,  
 FIG. 10 is a representative side view of the alternate embodiment of the tank saddle.  
 The broken line showing is included for the purpose of illustrating and forms no part of the claimed design.

**1 Claim, 4 Drawing Sheets**



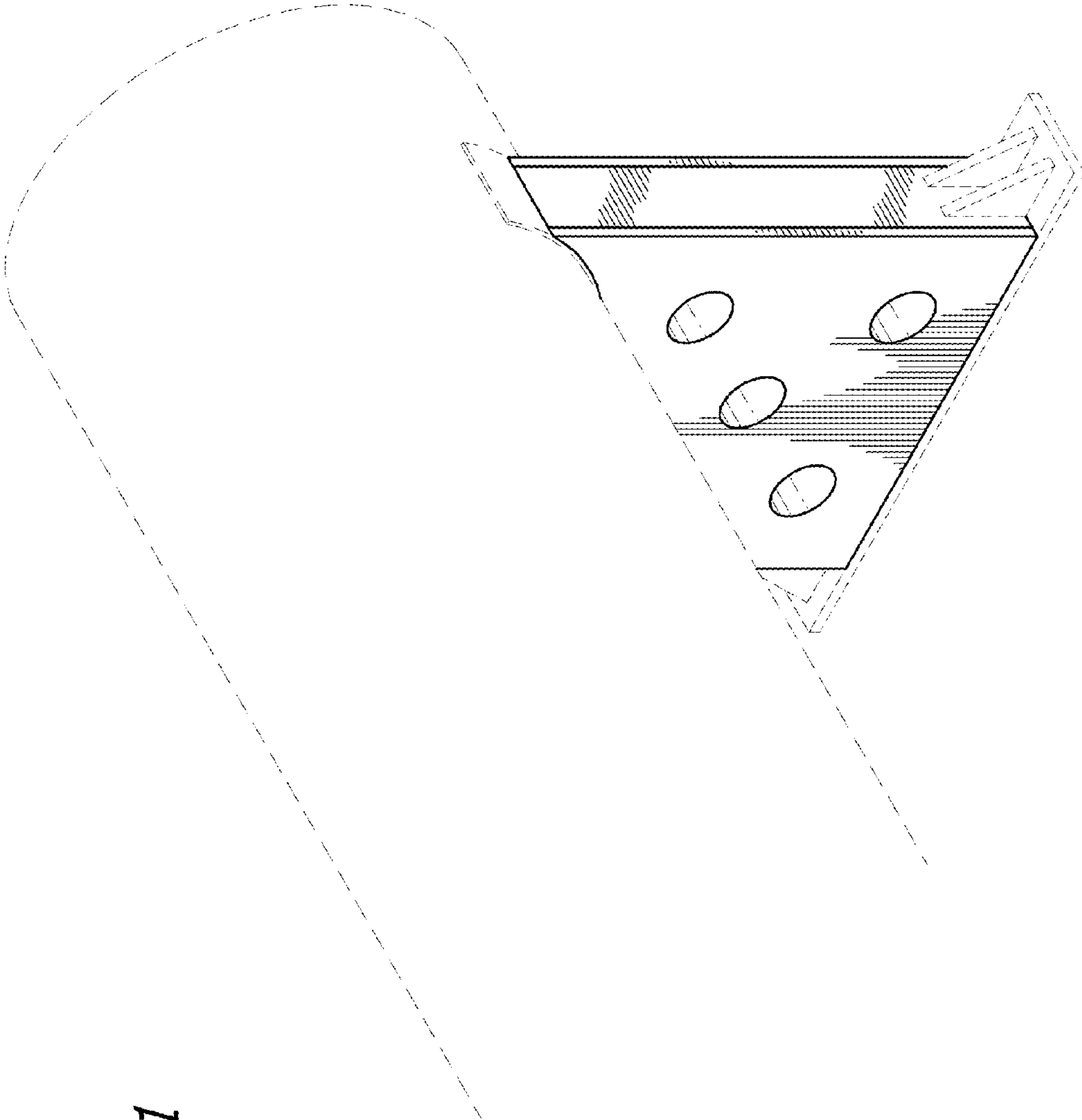


FIG. 1

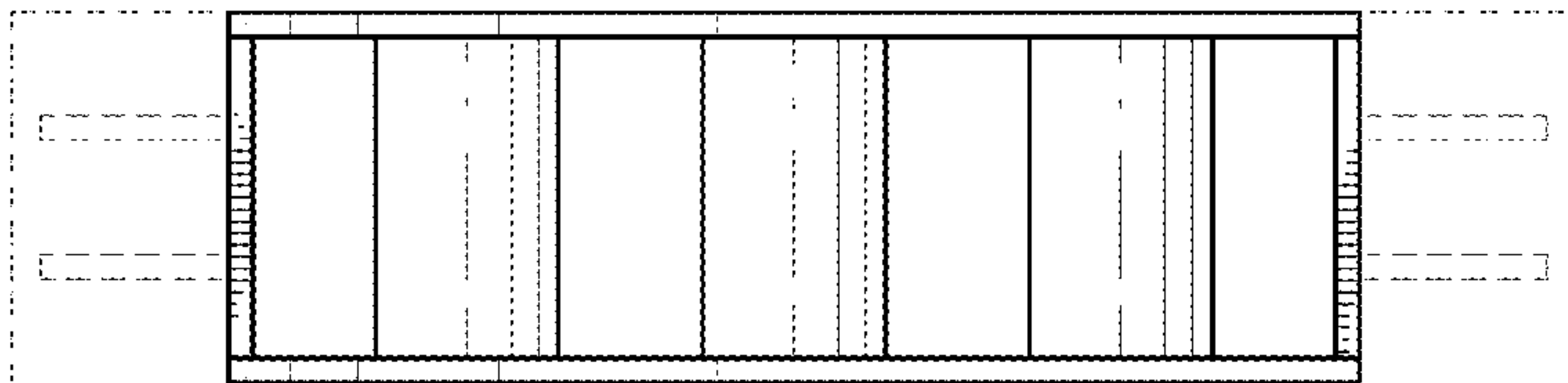


FIG. 2

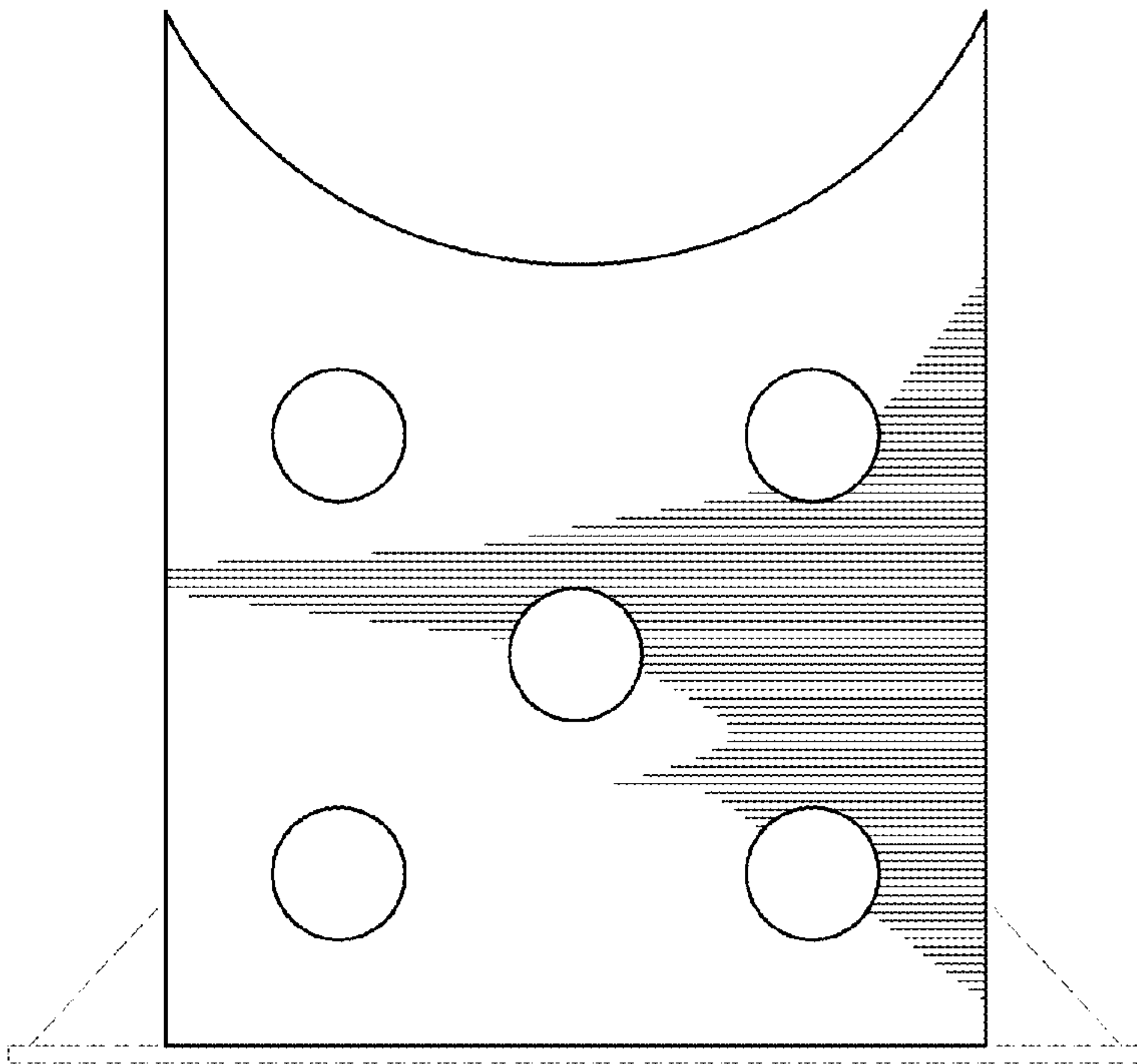


FIG. 3

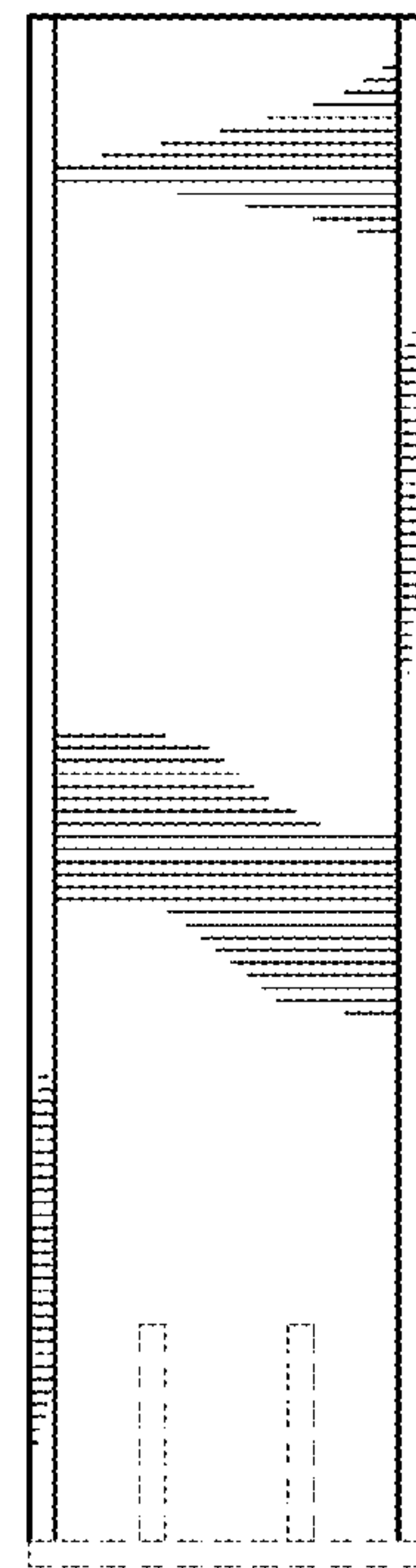


FIG. 4

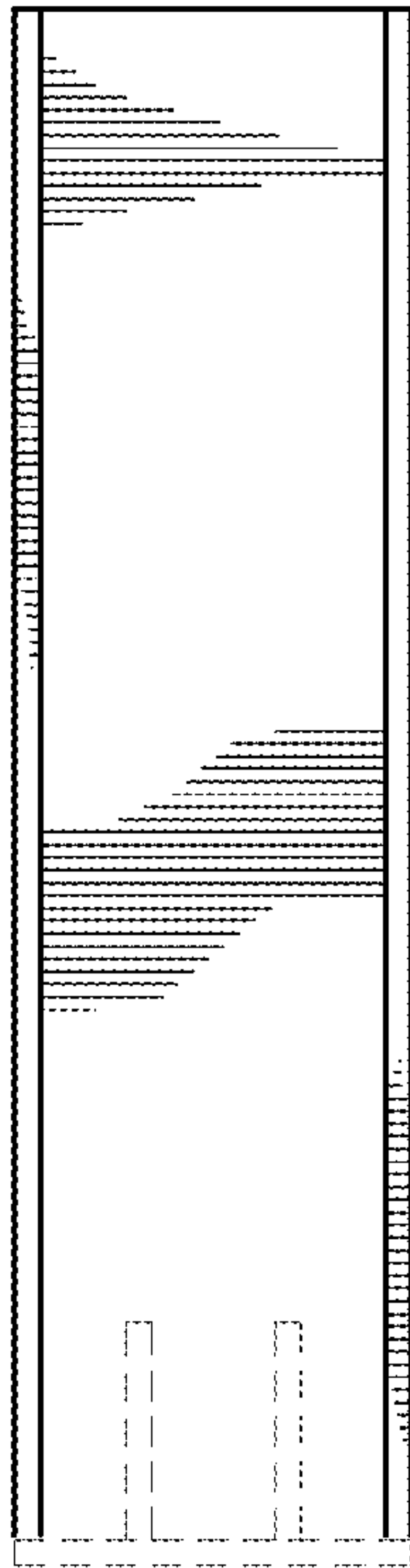


FIG. 5

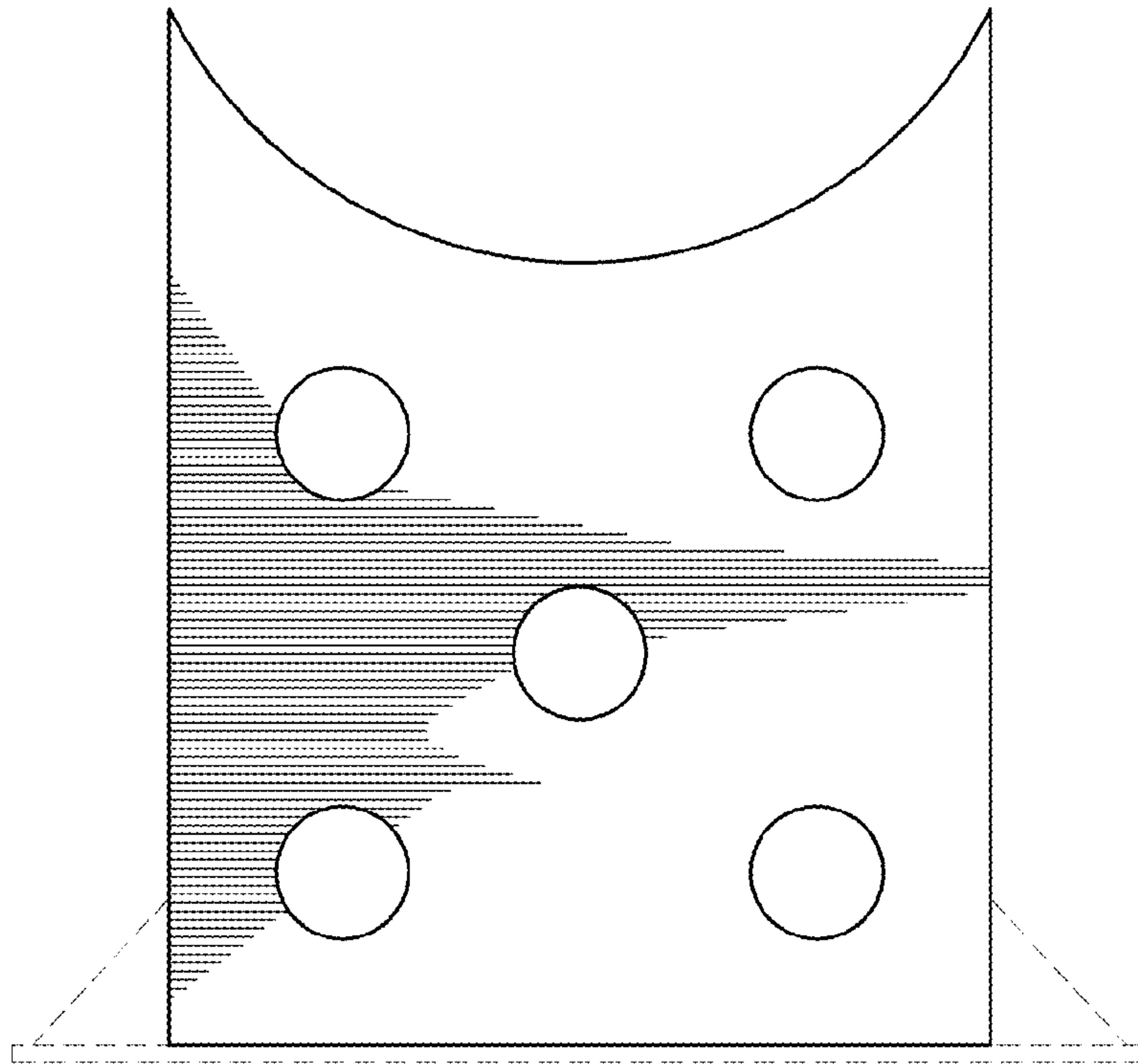


FIG. 6

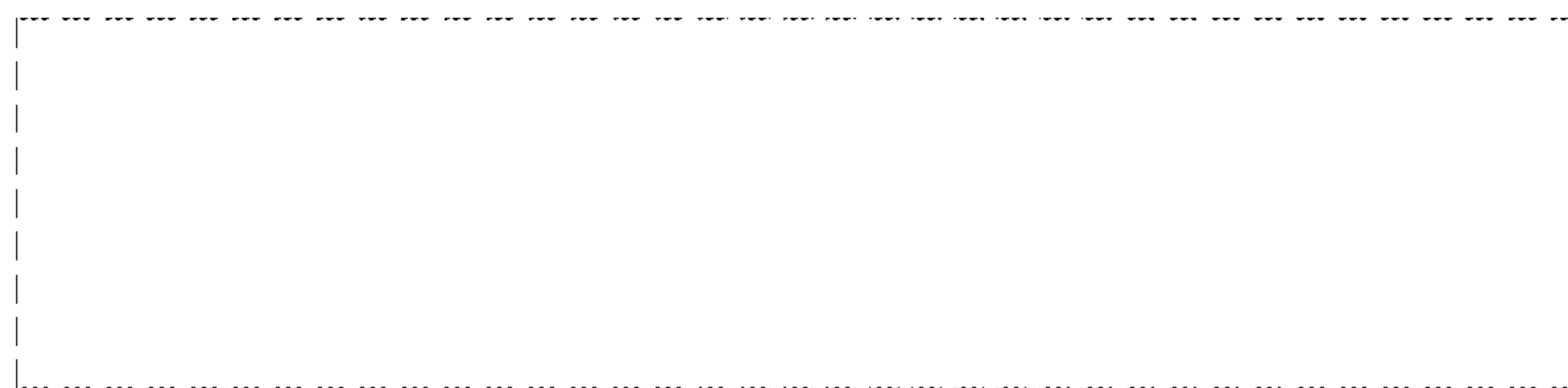


FIG. 7

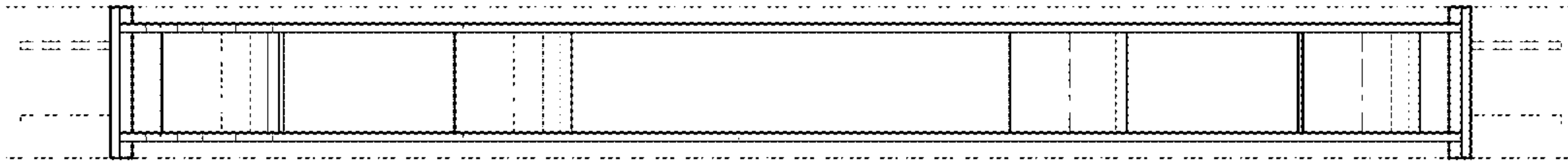


FIG. 8

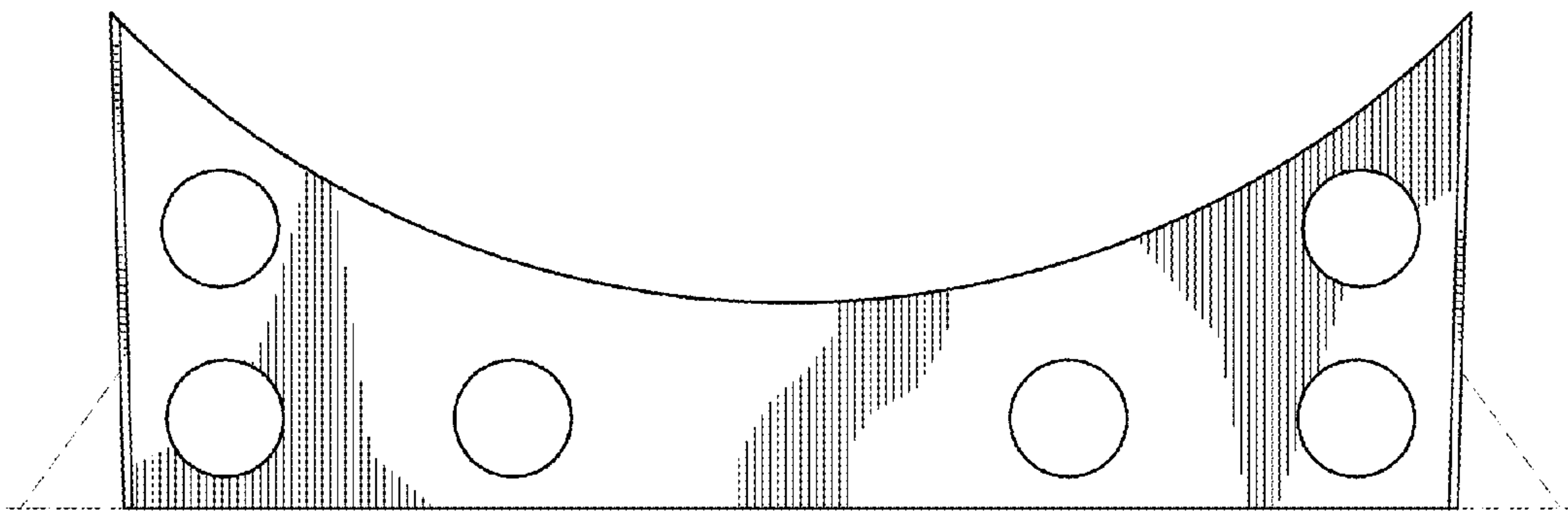


FIG. 9

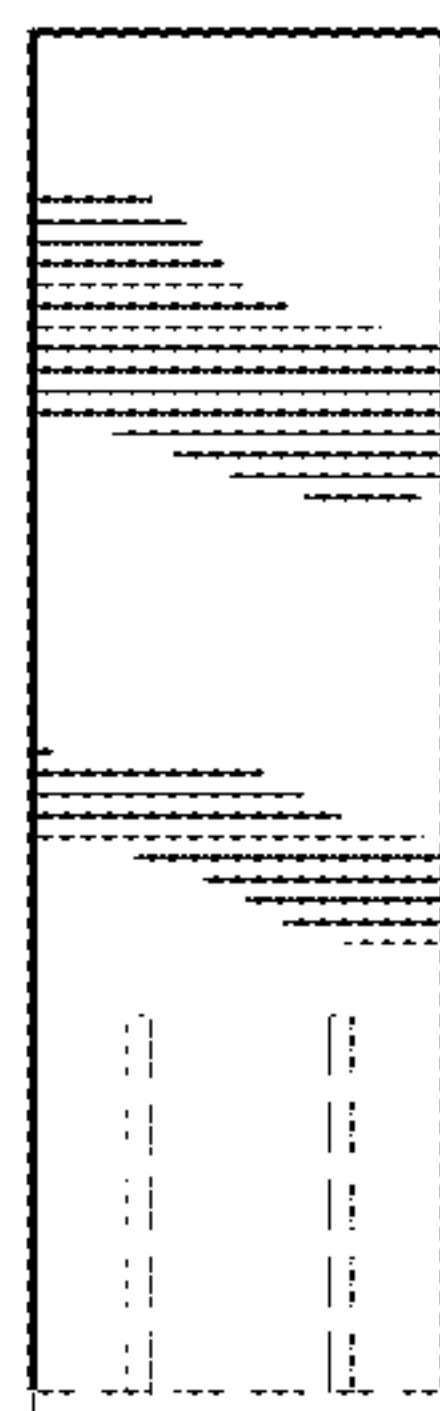


FIG. 10