



US00D692976S

(12) **United States Design Patent**  
**Sims**

(10) **Patent No.:** **US D692,976 S**  
(45) **Date of Patent:** **\*\* Nov. 5, 2013**

(54) **VIBRATION DAMPENER**

(76) Inventor: **Steven C. Sims**, Shelton, WA (US)

(\*\*) Term: **14 Years**

(21) Appl. No.: **29/395,315**

(22) Filed: **Dec. 29, 2011**

(51) **LOC (9) Cl.** ..... **22-01**

(52) **U.S. Cl.**  
USPC ..... **D22/107**

(58) **Field of Classification Search**  
USPC ..... D22/107; 124/35.2, 89-90, 92;  
D21/753

See application file for complete search history.

(56) **References Cited**

**U.S. PATENT DOCUMENTS**

D514,654	S	*	2/2006	Sims	.....	D22/107
D584,375	S	*	1/2009	Sims	.....	D22/107
7,703,449	B2	*	4/2010	Wright	.....	124/89
D648,410	S	*	11/2011	Sims et al.	.....	D21/753
8,336,533	B2	*	12/2012	Bach et al.	.....	124/92
2010/0031946	A1	*	2/2010	LoRocco	.....	124/89
2010/0319670	A1	*	12/2010	Sims et al.	.....	124/89

\* cited by examiner

*Primary Examiner* — Michael A Pratt

(74) *Attorney, Agent, or Firm* — Wells St. John, PS

(57) **CLAIM**

The ornamental designs for vibration dampener, as shown and described.

**DESCRIPTION**

FIG. 1 is a perspective view of a component embracing vibration dampener which embodies the principles of the present invention

FIG. 2 is a rear view of the dampener;

FIG. 3 is a view of one of two substantially identical ends of the dampener;

FIG. 4 is a left-hand view of the dampener;

FIG. 5 is a right-hand view of the dampener;

FIG. 6 is a front view of the dampener;

FIG. 7 is a perspective view of a second component embracing vibration dampener which embodies the principles of the present invention

FIG. 8 is a rear view of the second dampener;

FIG. 9 is a view of one of two substantially identical ends of the second dampener;

FIG. 10 is a left-hand view of the second dampener;

FIG. 11 is a right-hand view of the second dampener; and,

FIG. 12 is a front view of the second damper.

**1 Claim, 2 Drawing Sheets**

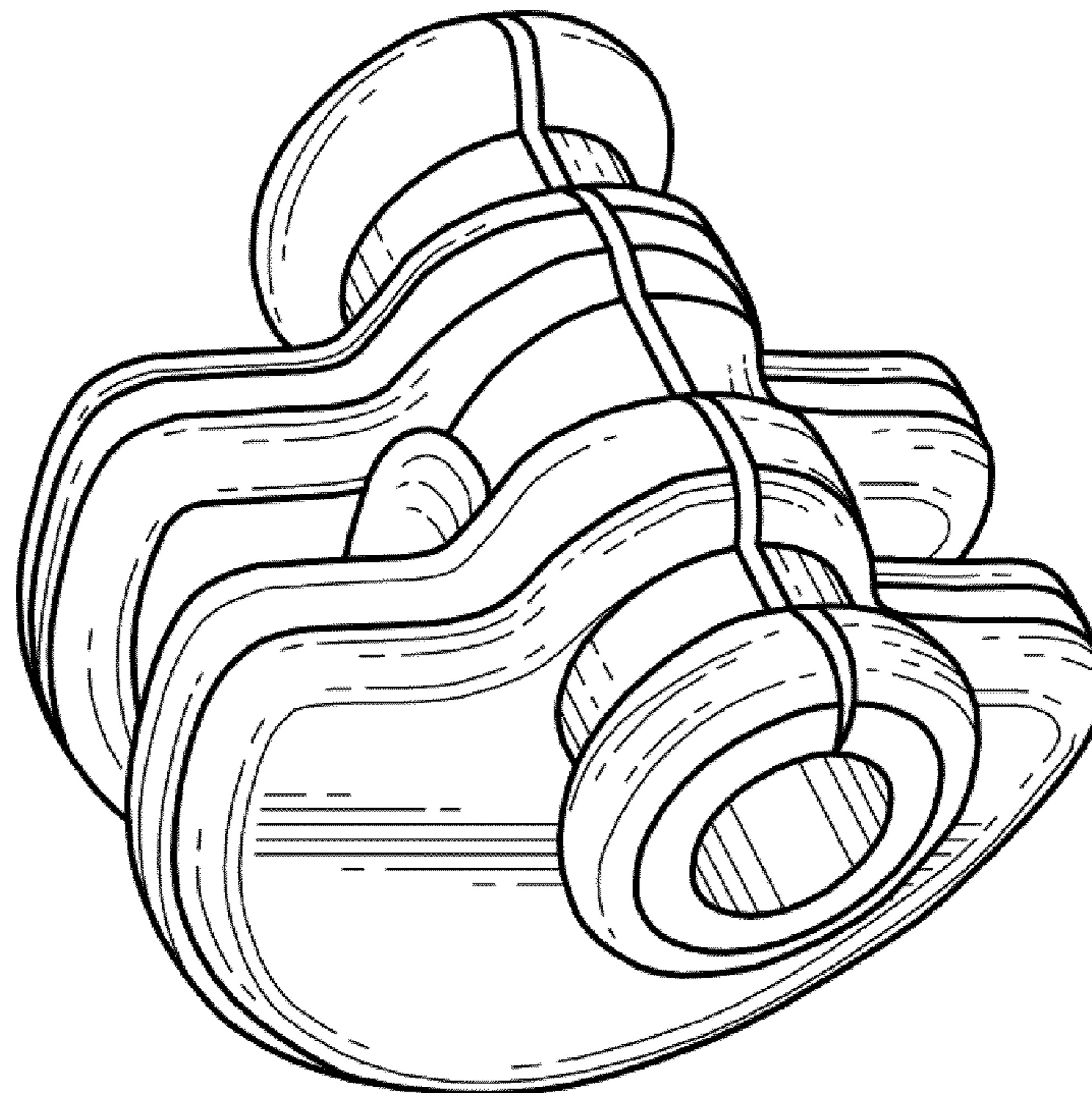


FIG. 1

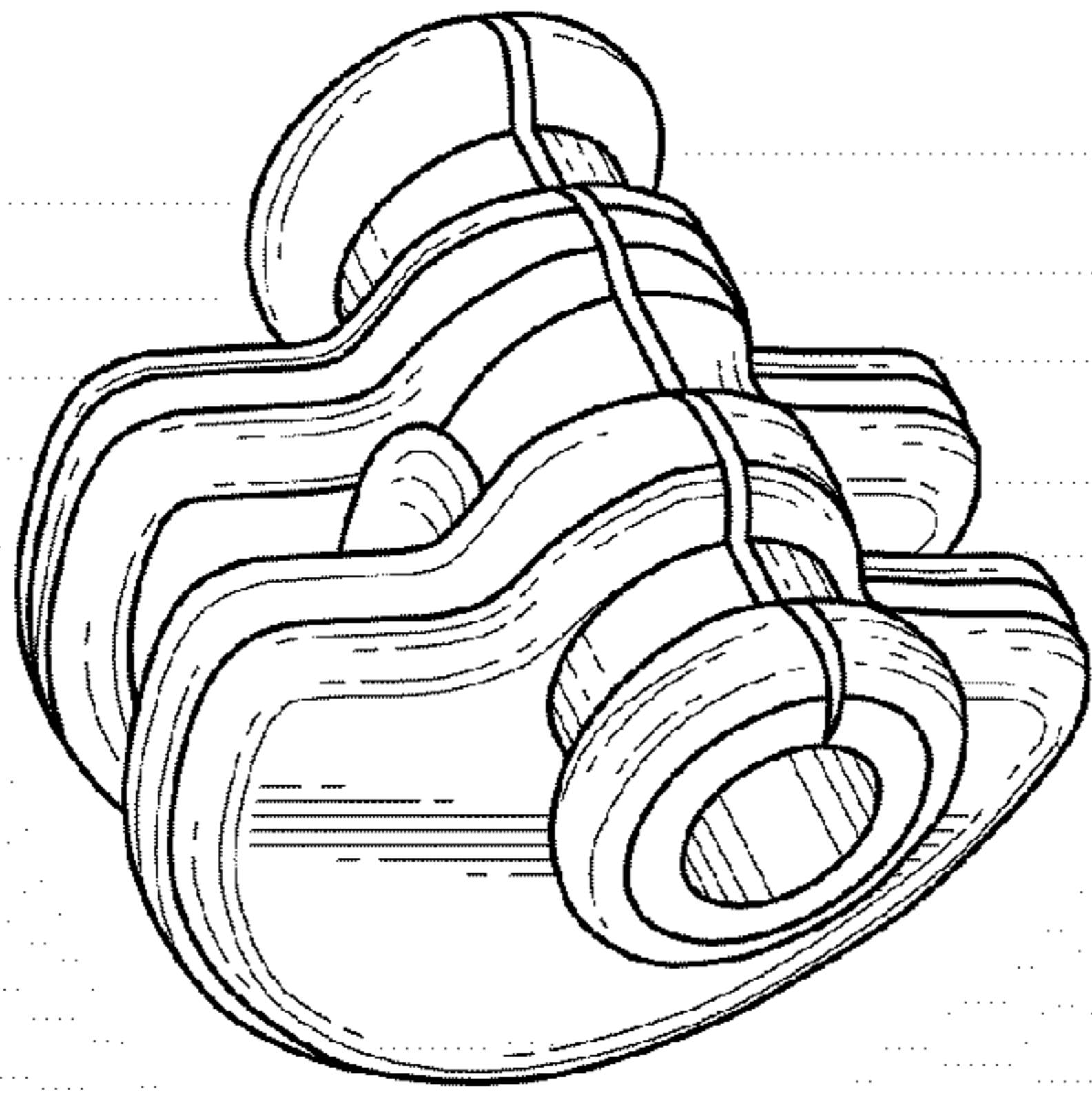


FIG. 2

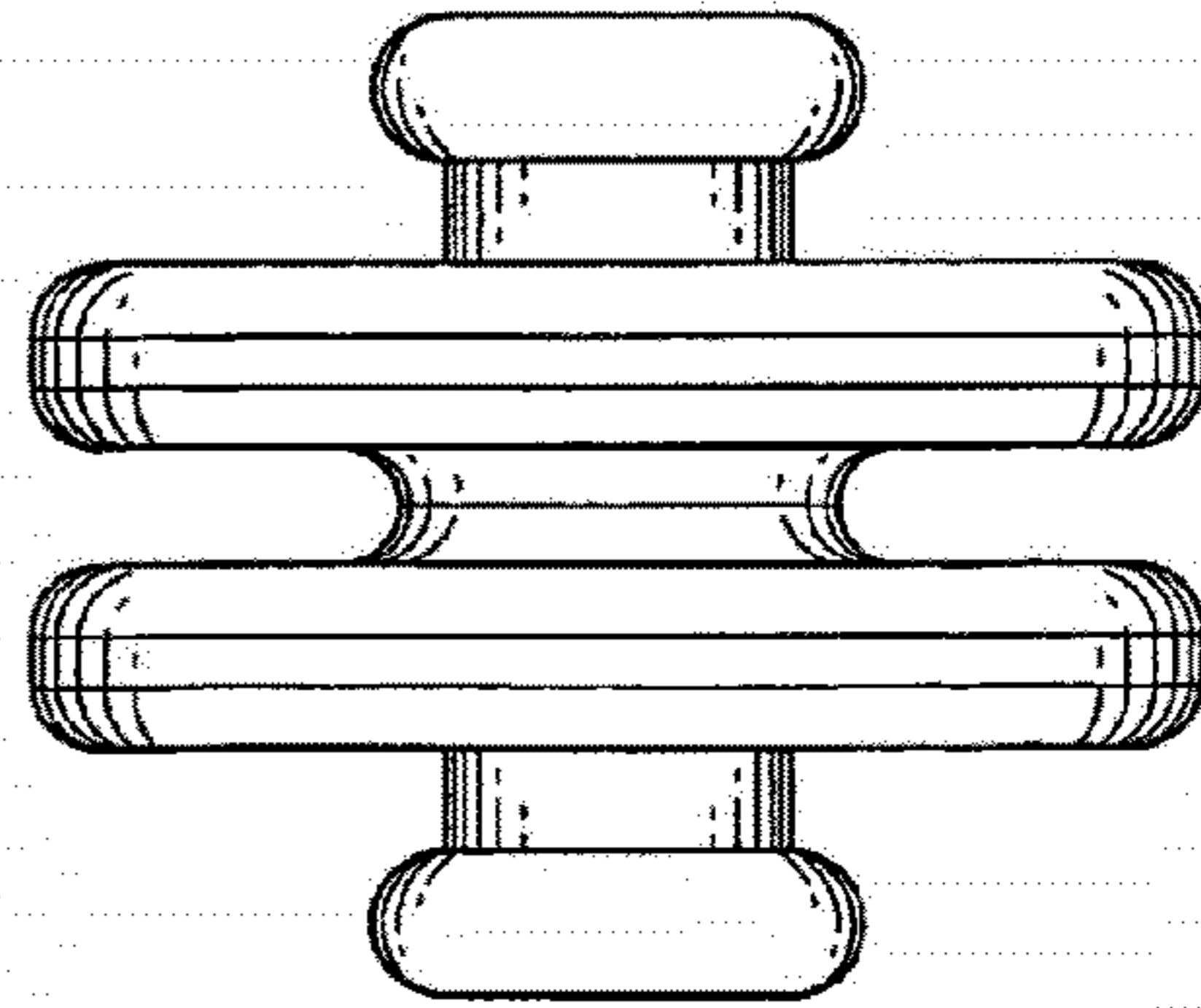


FIG. 3

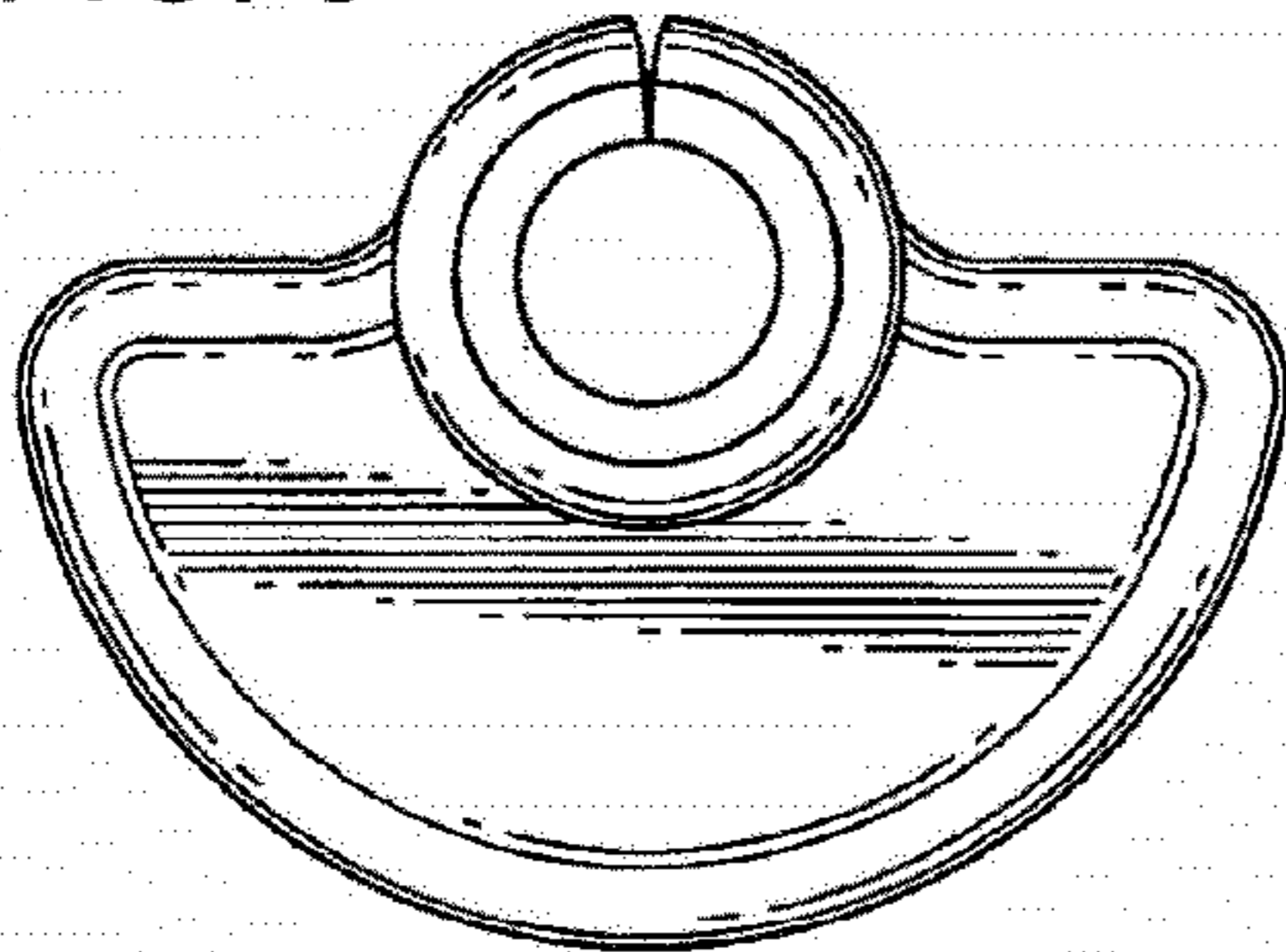


FIG. 4

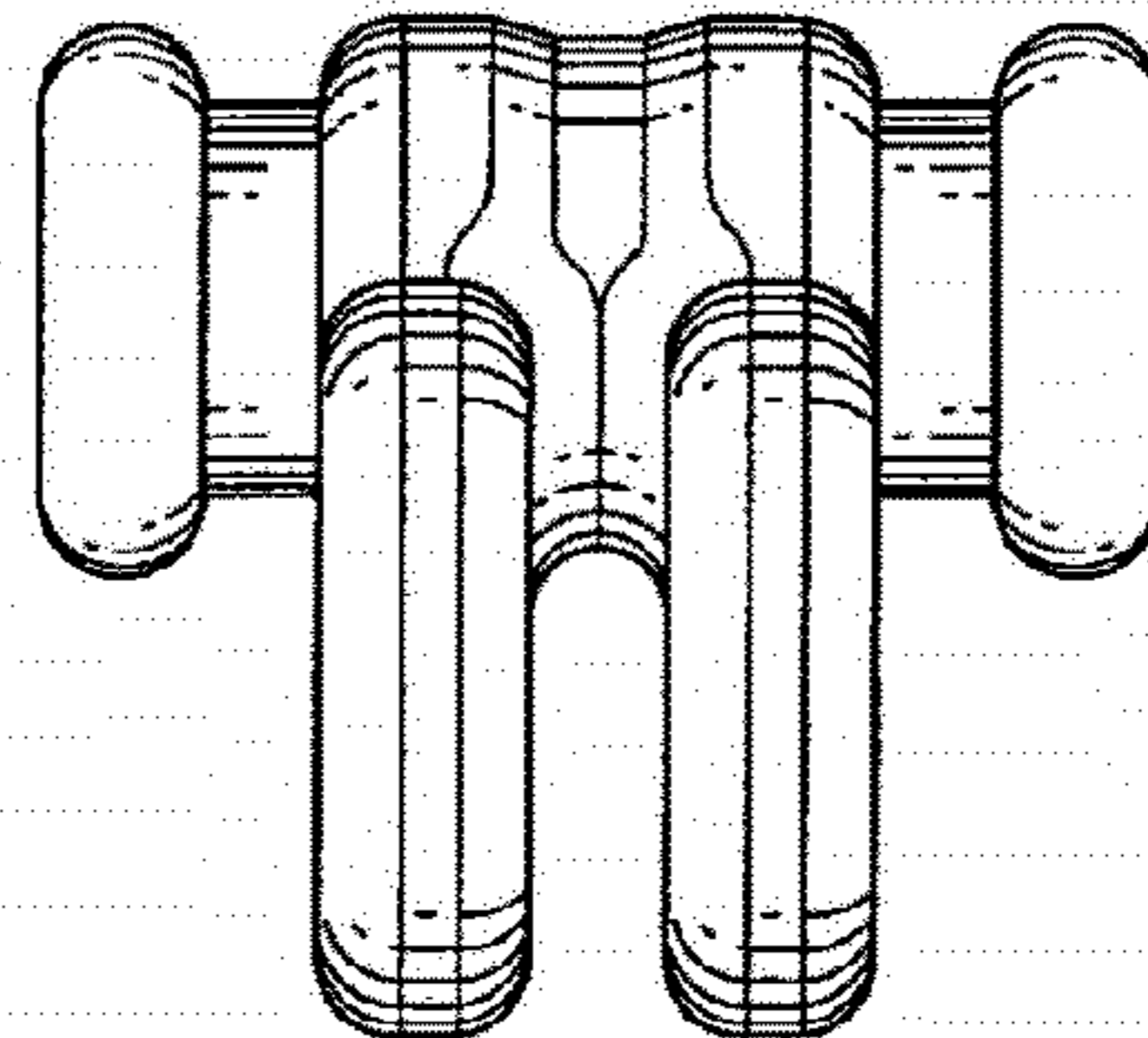


FIG. 5

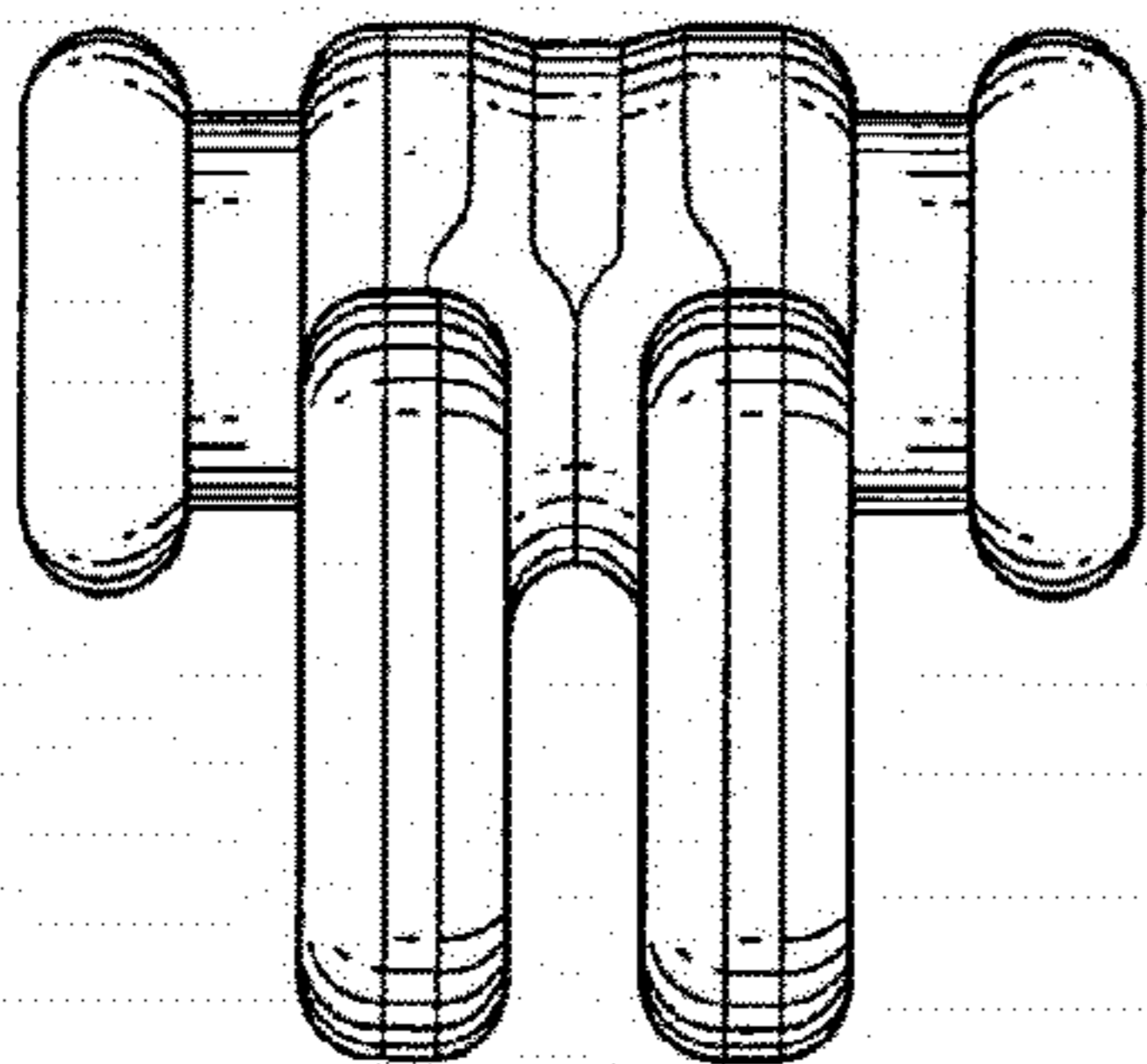


FIG. 6

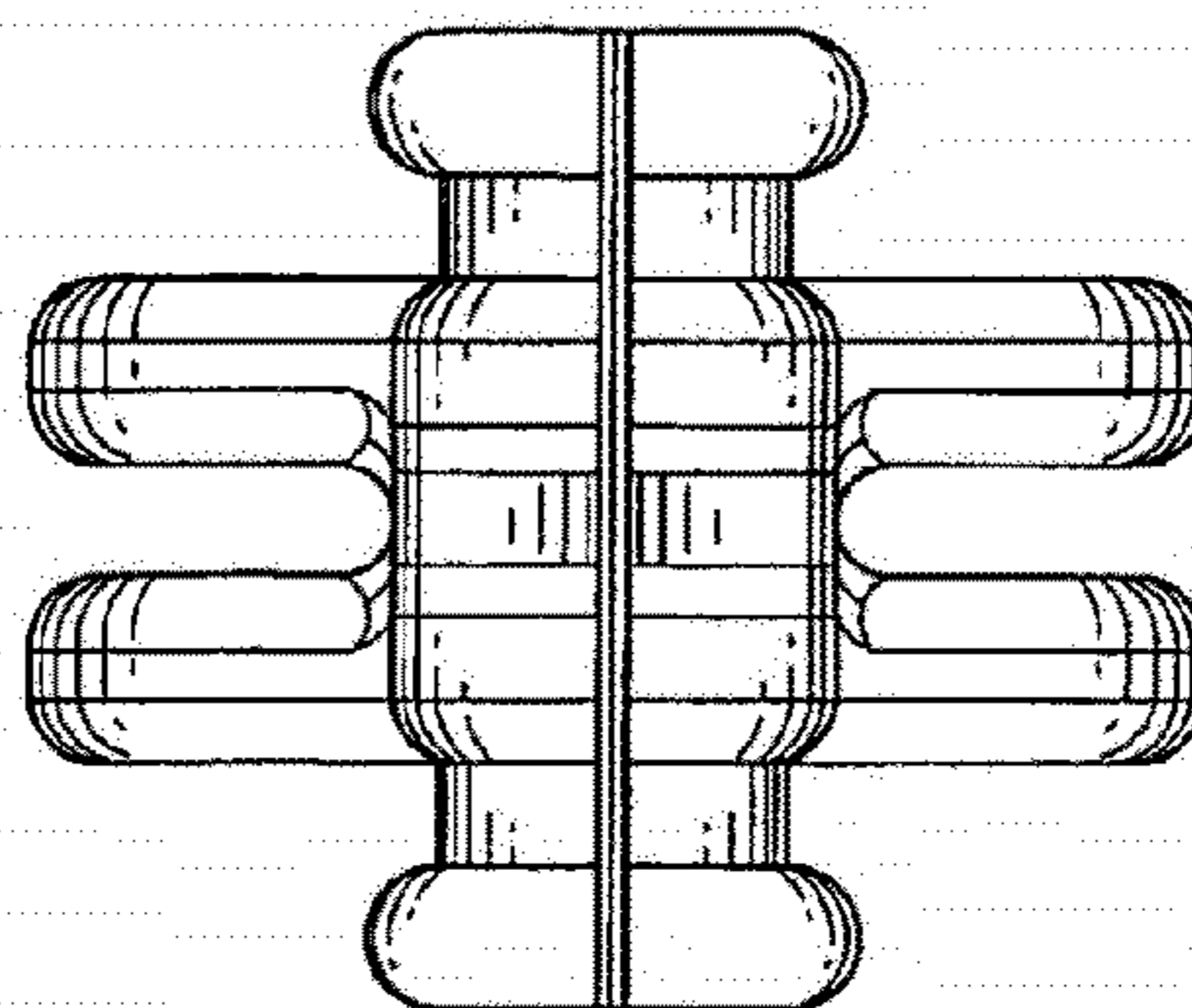


FIG. 7

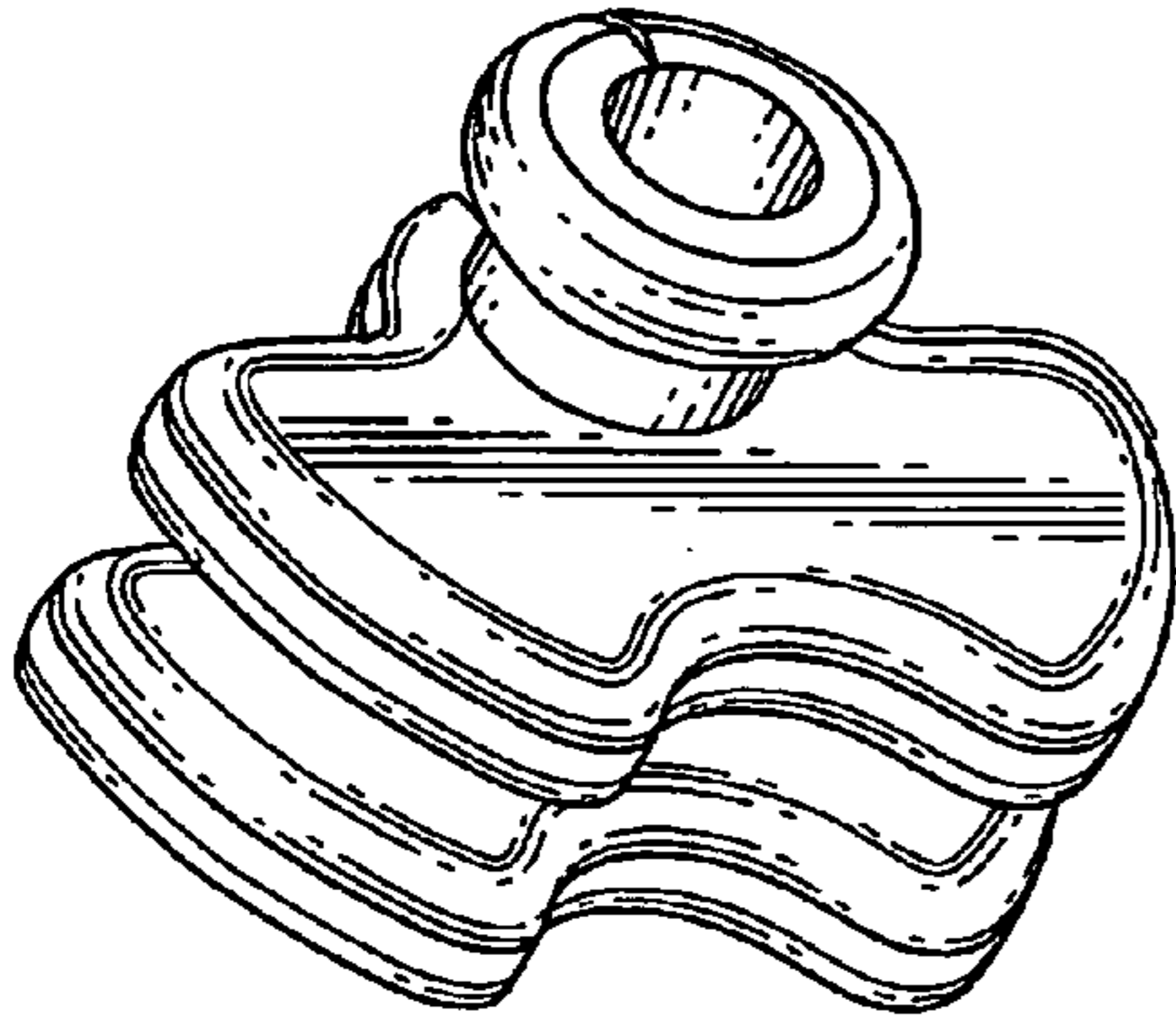


FIG. 8

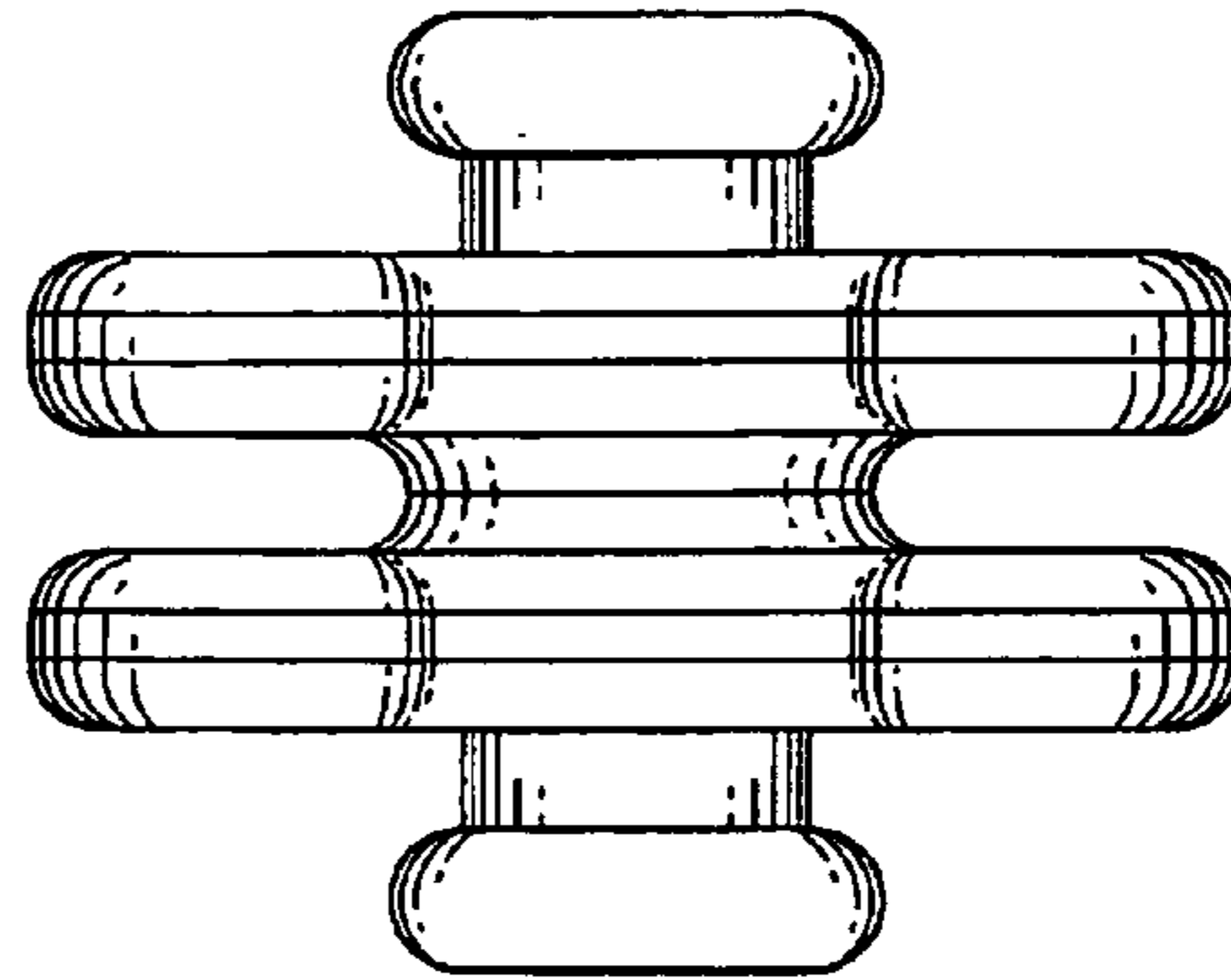


FIG. 9

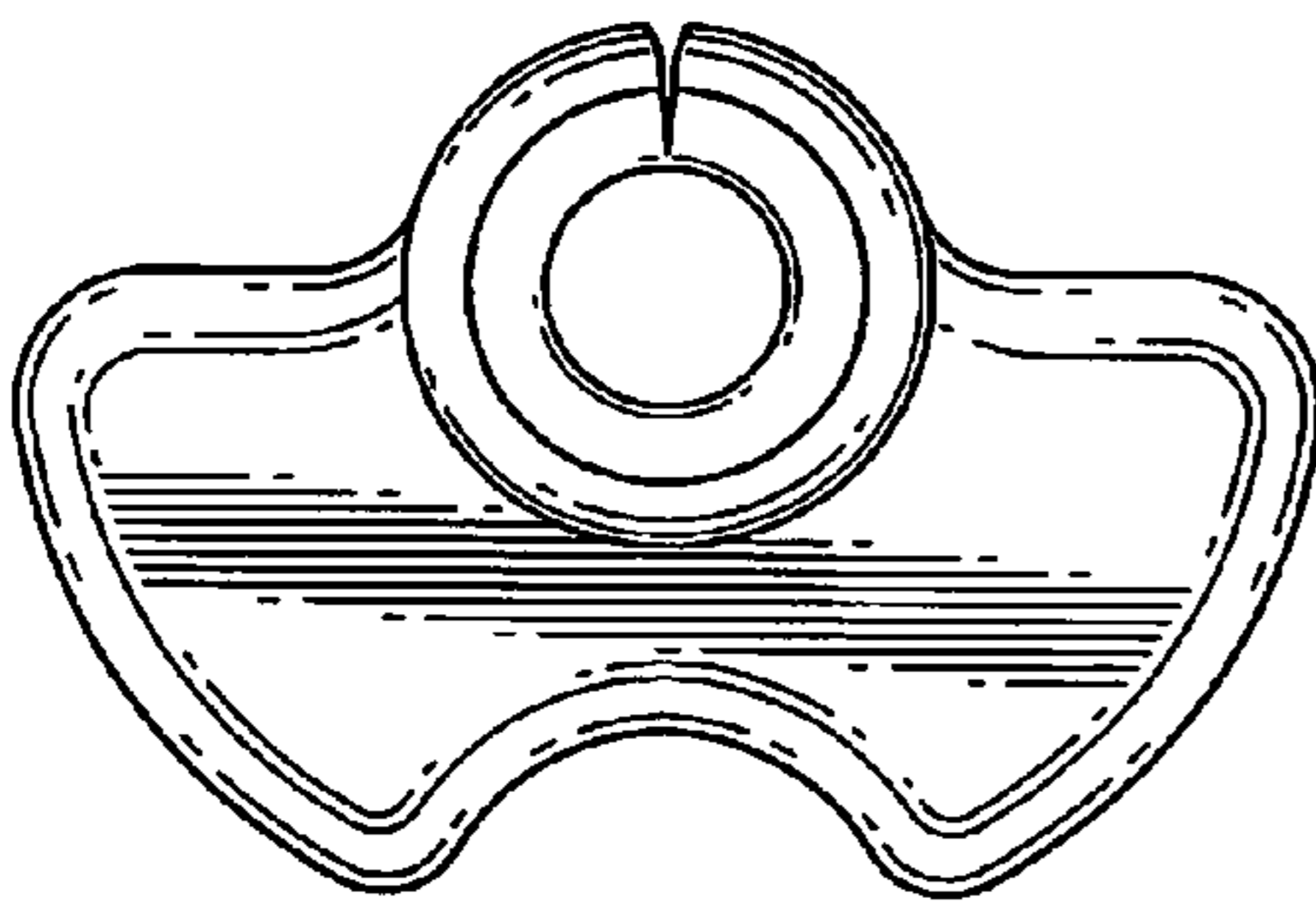


FIG. 10

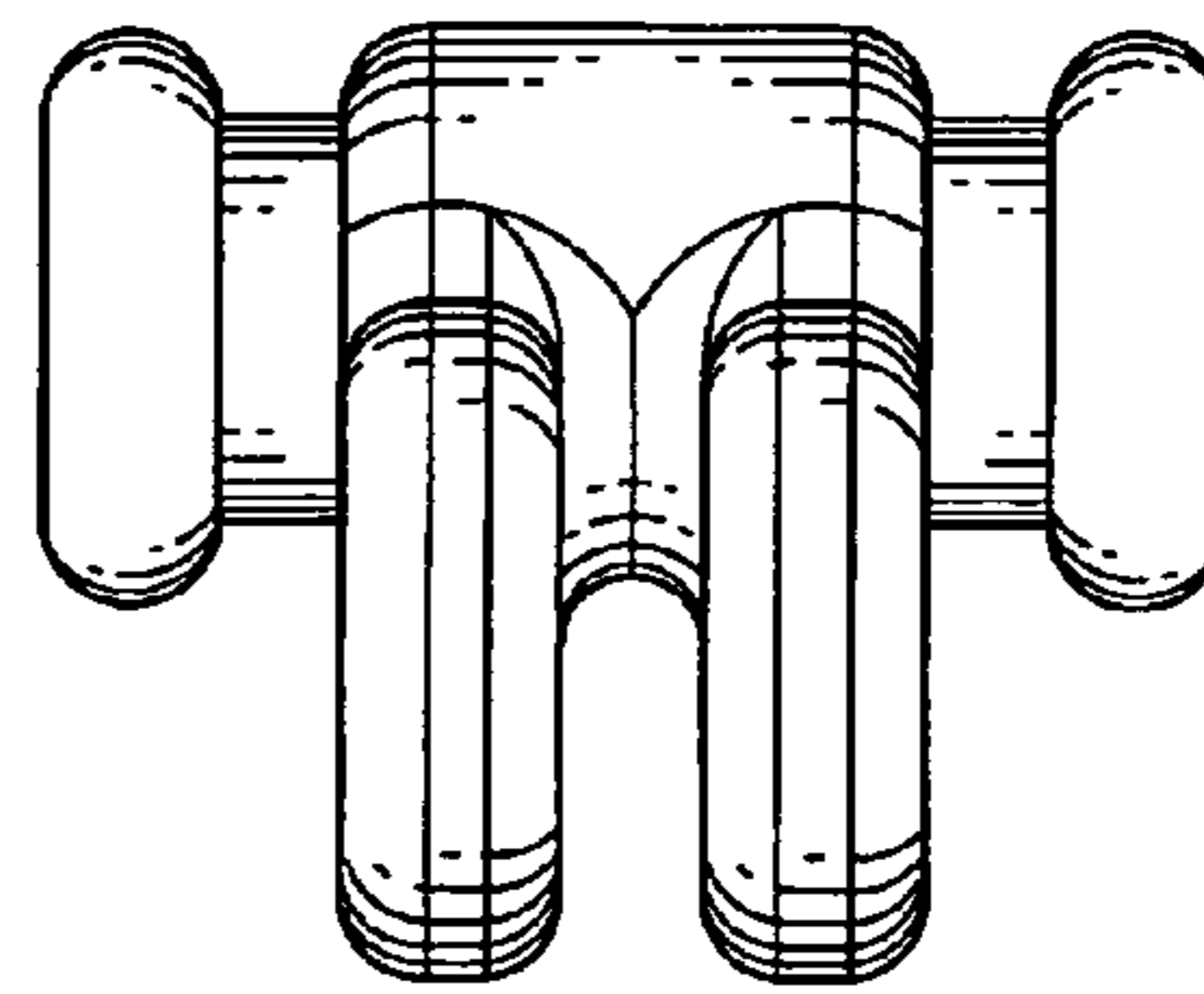


FIG. 11

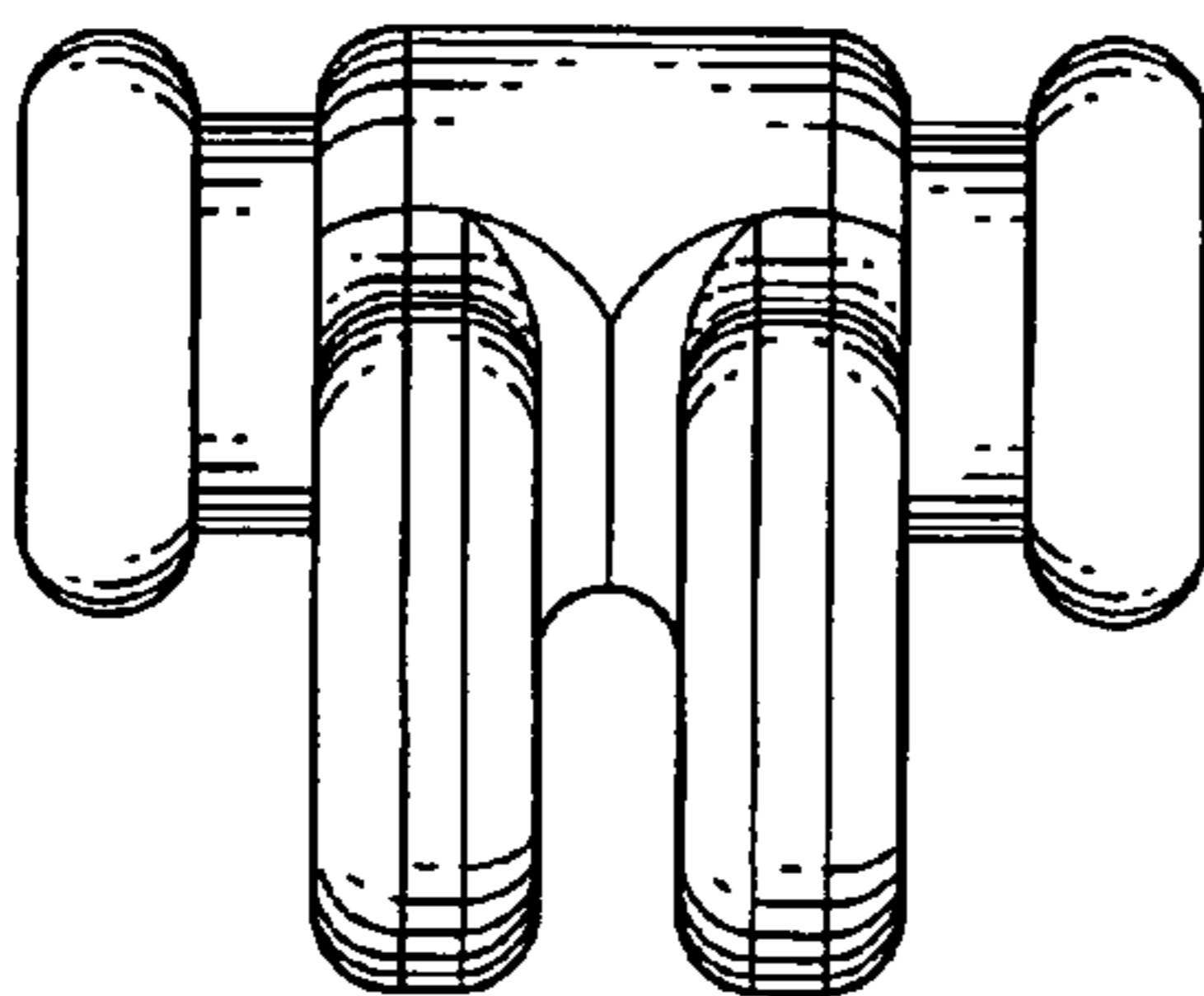


FIG. 12

