

US00D692971S

(12) **United States Design Patent**
Alessandri et al.

(10) **Patent No.:** **US D692,971 S**
(45) **Date of Patent:** **** Nov. 5, 2013**

(54) **CASE FOR GYMNASSTIC MACHINE**

(71) Applicant: **Technogym S.p.A.**, Gambettola (IT)

(72) Inventors: **Nerio Alessandri**, Longiano (IT);
Francesco Calcaterra, Forli (IT)

(73) Assignee: **Technogym S.p.A.**, Gambettola (IT)

(**) Term: **14 Years**

(21) Appl. No.: **29/445,738**

(22) Filed: **Feb. 15, 2013**

(30) **Foreign Application Priority Data**

Aug. 16, 2012 (EM) 002088559-0002

(51) **LOC (9) Cl.** **21-02**

(52) **U.S. Cl.**
USPC **D21/694**; D21/675; D21/662

(58) **Field of Classification Search**
USPC D21/662, 675, 676, 680, 681, 682, 683,
D21/694; 482/72, 93, 94, 97-102, 104,
482/106-108; D8/330
See application file for complete search history.

(56) **References Cited**

U.S. PATENT DOCUMENTS

D355,684 S * 2/1995 Rawls et al. D21/676
D362,281 S * 9/1995 Warehime et al. D21/675
6,171,219 B1 * 1/2001 Simonson 482/100
6,422,980 B1 * 7/2002 Simonson 482/99
D472,945 S * 4/2003 Panatta D21/662

D491,237 S * 6/2004 Giannelli et al. D21/676
D493,854 S * 8/2004 Grider D21/694
D516,142 S * 2/2006 Panatta D21/676
D517,134 S * 3/2006 Panatta D21/676
D520,085 S * 5/2006 Willardson et al. D21/694
D523,496 S * 6/2006 Grider D21/694
7,108,641 B2 * 9/2006 Pertegaz-Esteban 482/139
7,608,024 B2 * 10/2009 Sechrest et al. 482/103
D612,437 S * 3/2010 Fenster D21/694
D613,350 S * 4/2010 Fenster D21/675
7,717,833 B1 * 5/2010 Nelson et al. 482/100
7,775,945 B2 * 8/2010 Smith 482/100
7,909,742 B2 * 3/2011 Ish et al. 482/97
D675,266 S * 1/2013 Alessandri et al. D21/675
D679,764 S * 4/2013 Alessandri et al. D21/675
2002/0035017 A1 * 3/2002 Pertegaz-Esteban 482/92

* cited by examiner

Primary Examiner — Susan E Krakower

(74) *Attorney, Agent, or Firm* — Steinfl & Bruno, LLP

(57) **CLAIM**

The ornamental design for the case for gymnastic machine, as shown and described.

DESCRIPTION

FIG. 1 is a top, front and side perspective view of the case for gymnastic machine.

FIG. 2 is a front view of the case for gymnastic machine.

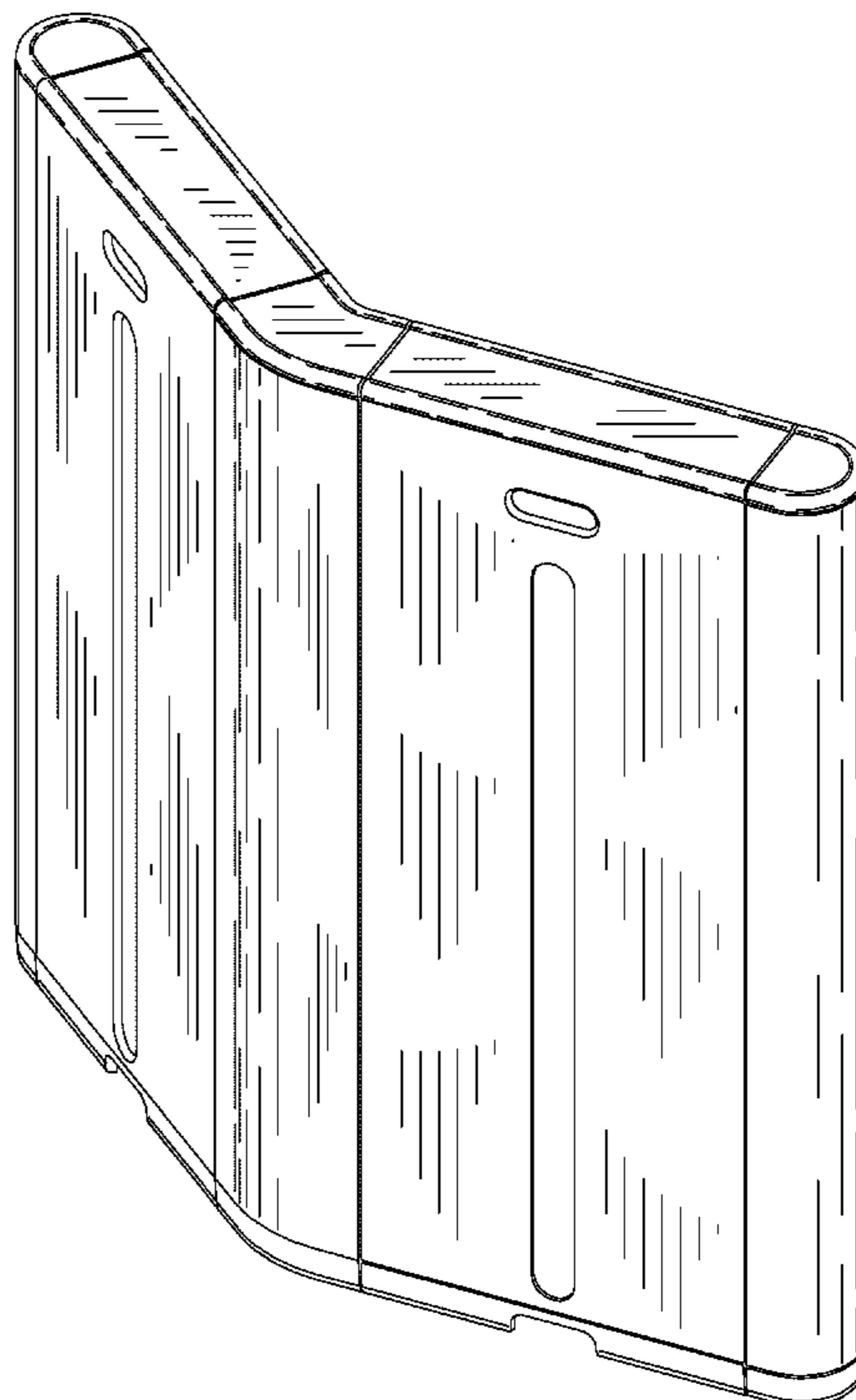
FIG. 3 is a rear view of the case for gymnastic machine.

FIG. 4 is a left side view of the case for gymnastic machine.

FIG. 5 is a right side view of the case for gymnastic machine; and,

FIG. 6 is a top view of the case for gymnastic machine.

1 Claim, 6 Drawing Sheets



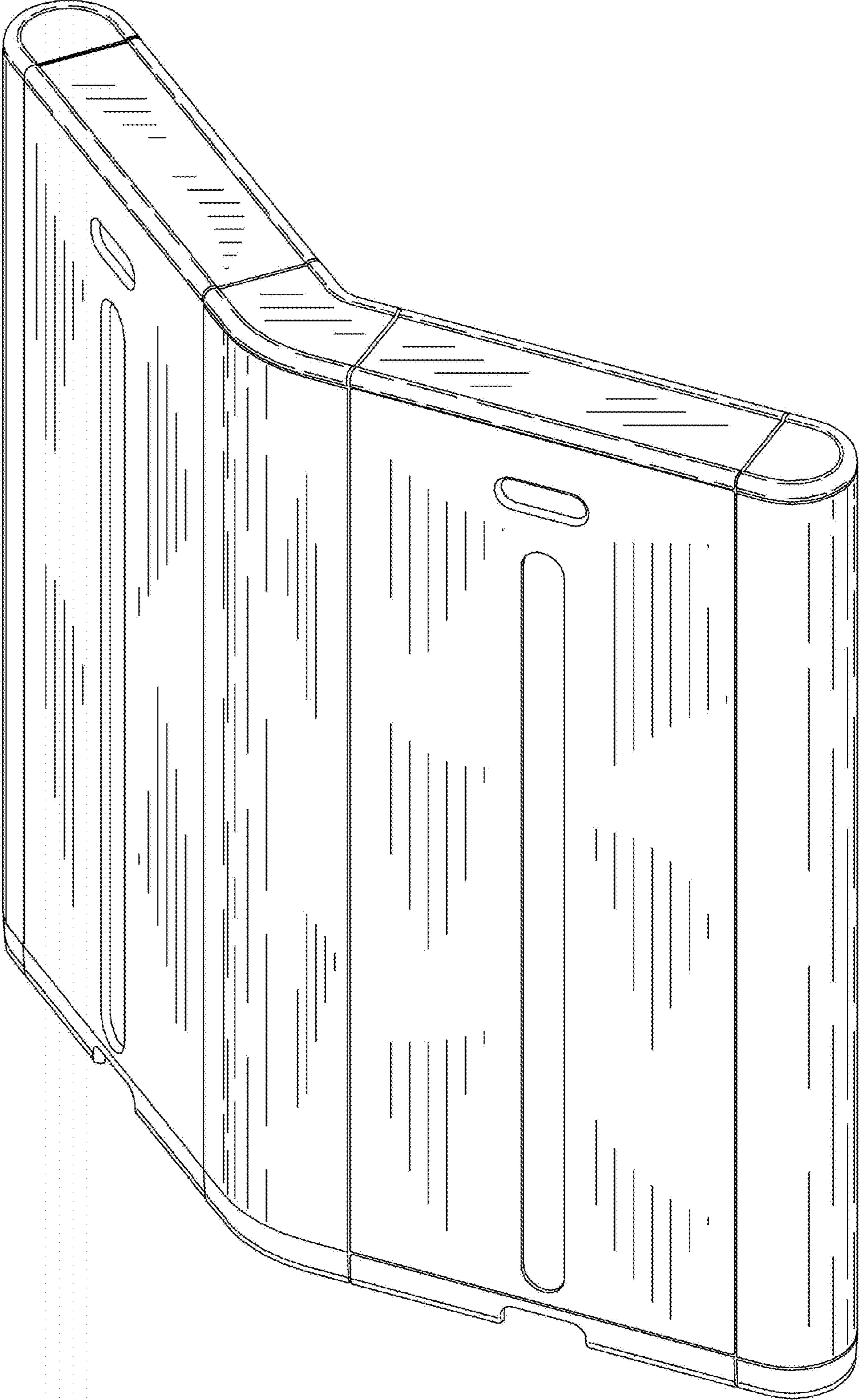


Fig. 1

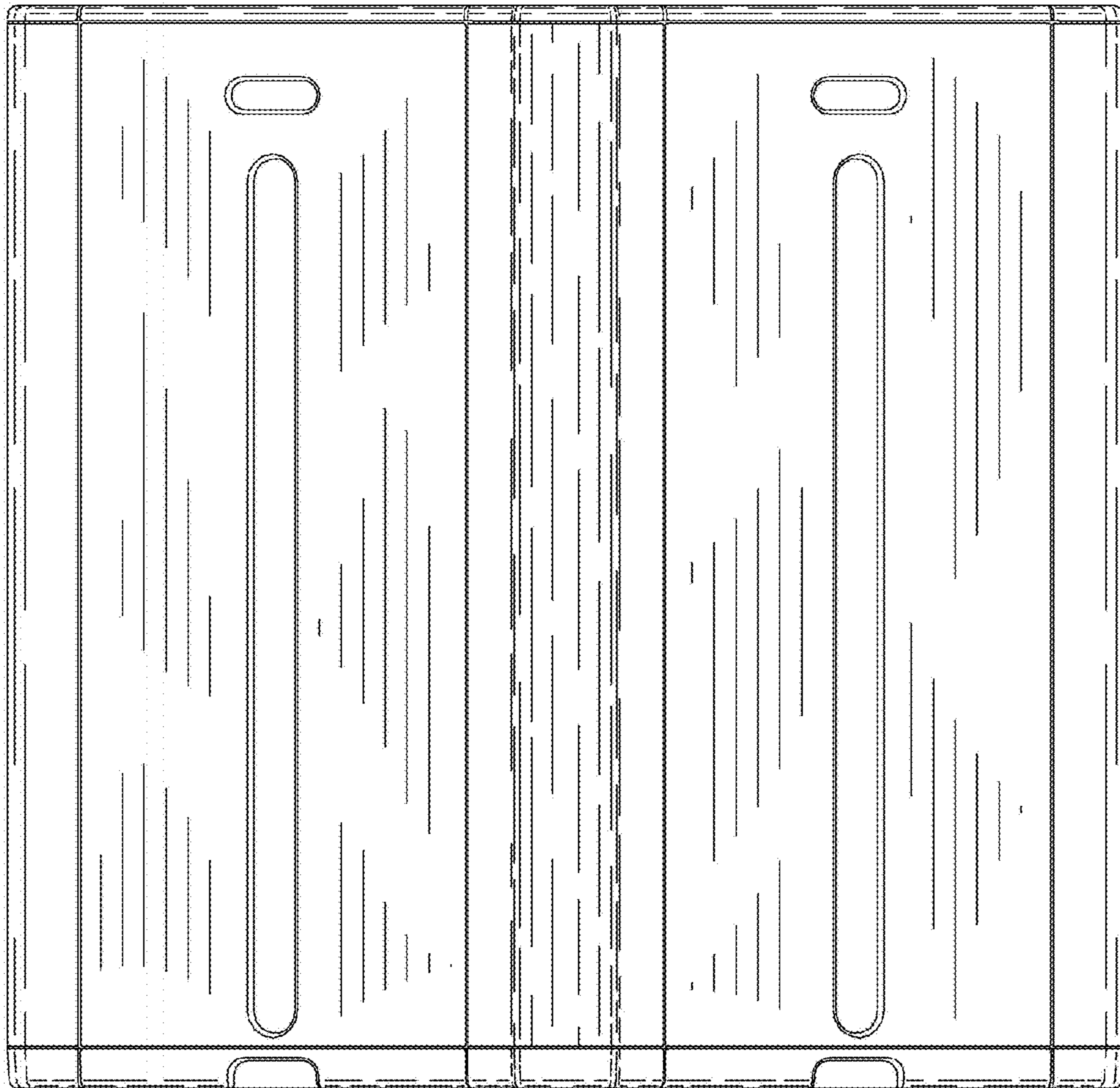


Fig. 2

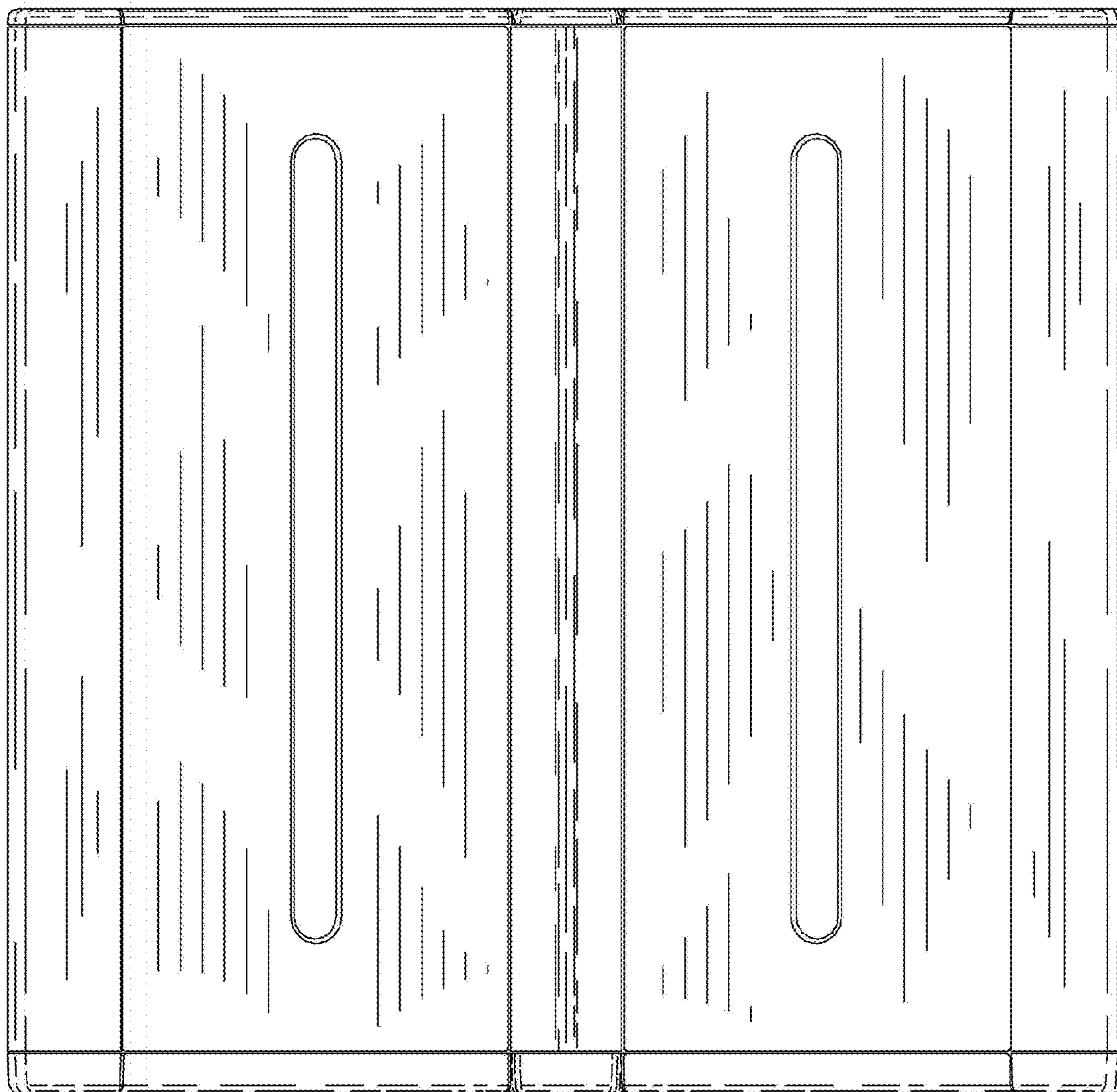


Fig. 3

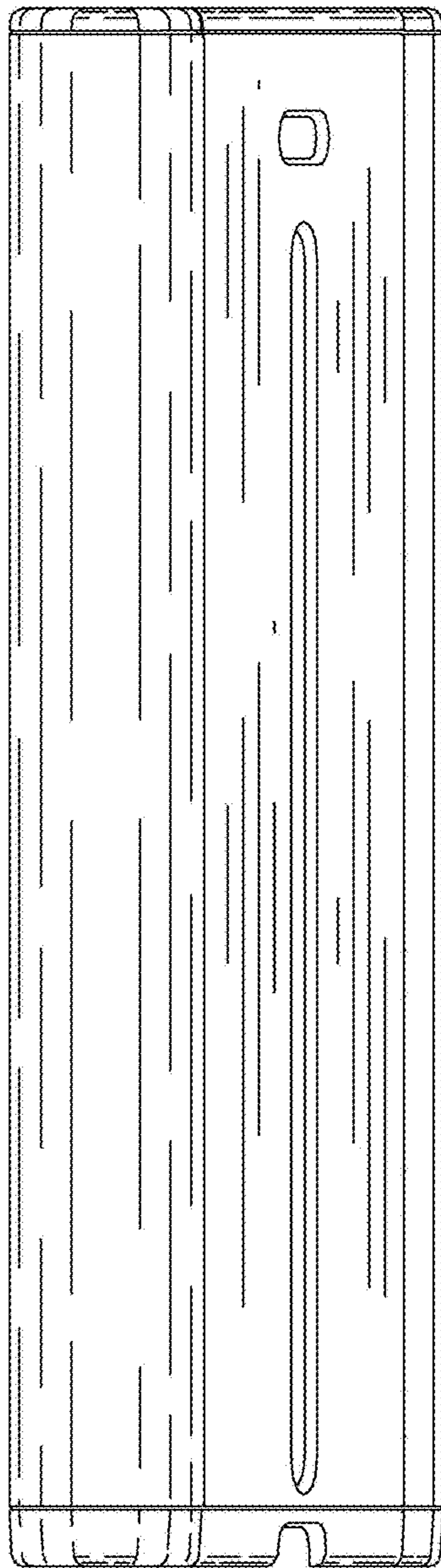


Fig. 4

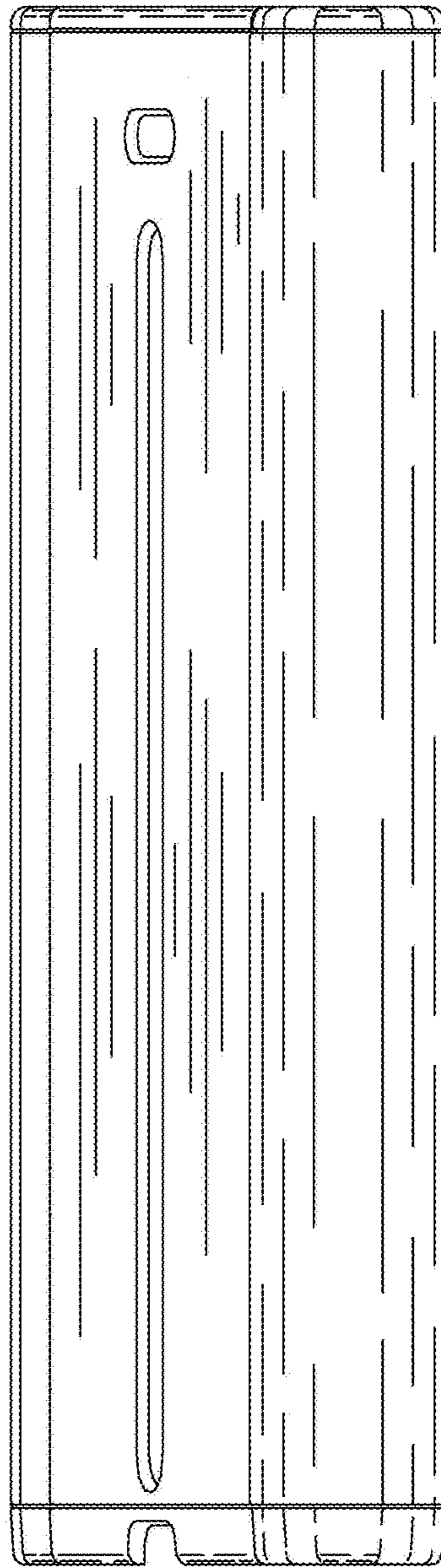


Fig. 5

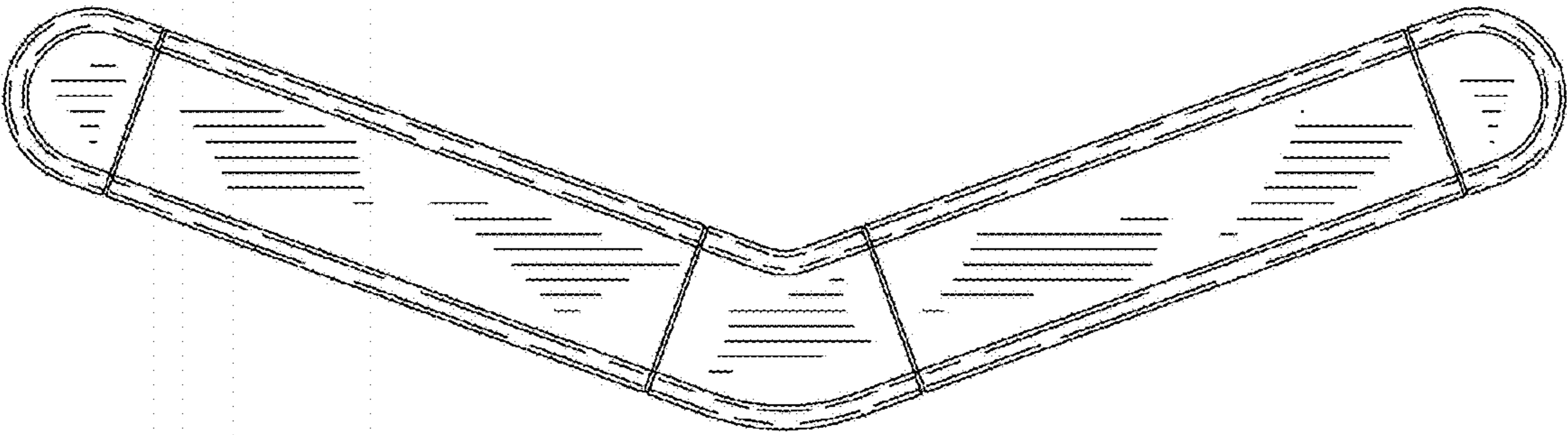


Fig. 6