

US00D692970S

(12) **United States Design Patent**
Lien

(10) **Patent No.:** **US D692,970 S**

(45) **Date of Patent:** **** Nov. 5, 2013**

(54) **DUMBBELL**

(71) Applicant: **USA Sports, Inc.**, Houston, TX (US)

(72) Inventor: **Louis Lien**, Bellaire, TX (US)

(73) Assignee: **USA Sports, Inc.**, Houston, TX (US)

(**) Term: **14 Years**

(21) Appl. No.: **29/433,774**

(22) Filed: **Oct. 4, 2012**

(51) **LOC (9) Cl.** **21-02**

(52) **U.S. Cl.**
USPC **D21/681**

(58) **Field of Classification Search**
USPC D21/662, 677-682, 684, 694; 482/47,
482/50, 92-94, 104-108, 111, 139, 140,
482/142

See application file for complete search history.

(56) **References Cited**

U.S. PATENT DOCUMENTS

3,617,056	A *	11/1971	Herbold	482/108
4,997,184	A *	3/1991	Sherman	482/108
D326,298	S *	5/1992	King et al.	D21/682
D355,007	S *	1/1995	Rojas et al.	D21/681
5,823,922	A *	10/1998	Eckmann	482/108
D409,266	S *	5/1999	Rojas et al.	D21/681
6,099,443	A *	8/2000	Landfair	482/108
6,132,344	A *	10/2000	Vanderbleek	482/108
D456,705	S *	5/2002	Vijn	D9/668
D474,522	S *	5/2003	Monroe	D21/803
6,939,276	B2 *	9/2005	Gates	482/111
7,101,241	B2 *	9/2006	Monroe	441/129

D537,492	S *	2/2007	Paolucci et al.	D21/707
D545,927	S *	7/2007	Lien	D21/681
7,534,198	B1 *	5/2009	Strong	482/94
D597,612	S *	8/2009	Lien	D21/681
D624,614	S *	9/2010	Lien	D21/681
D650,289	S *	12/2011	Bosiljevac et al.	D9/668
2006/0240959	A1 *	10/2006	Huang	482/108
2009/0247369	A1 *	10/2009	Chang	482/49

* cited by examiner

Primary Examiner — Susan E Krakower

(74) *Attorney, Agent, or Firm* — Osha Liang LLP

(57) **CLAIM**

The ornamental design for a dumbbell, as shown and described.

DESCRIPTION

FIG. 1 is a perspective view of a dumbbell according to a design of the invention.

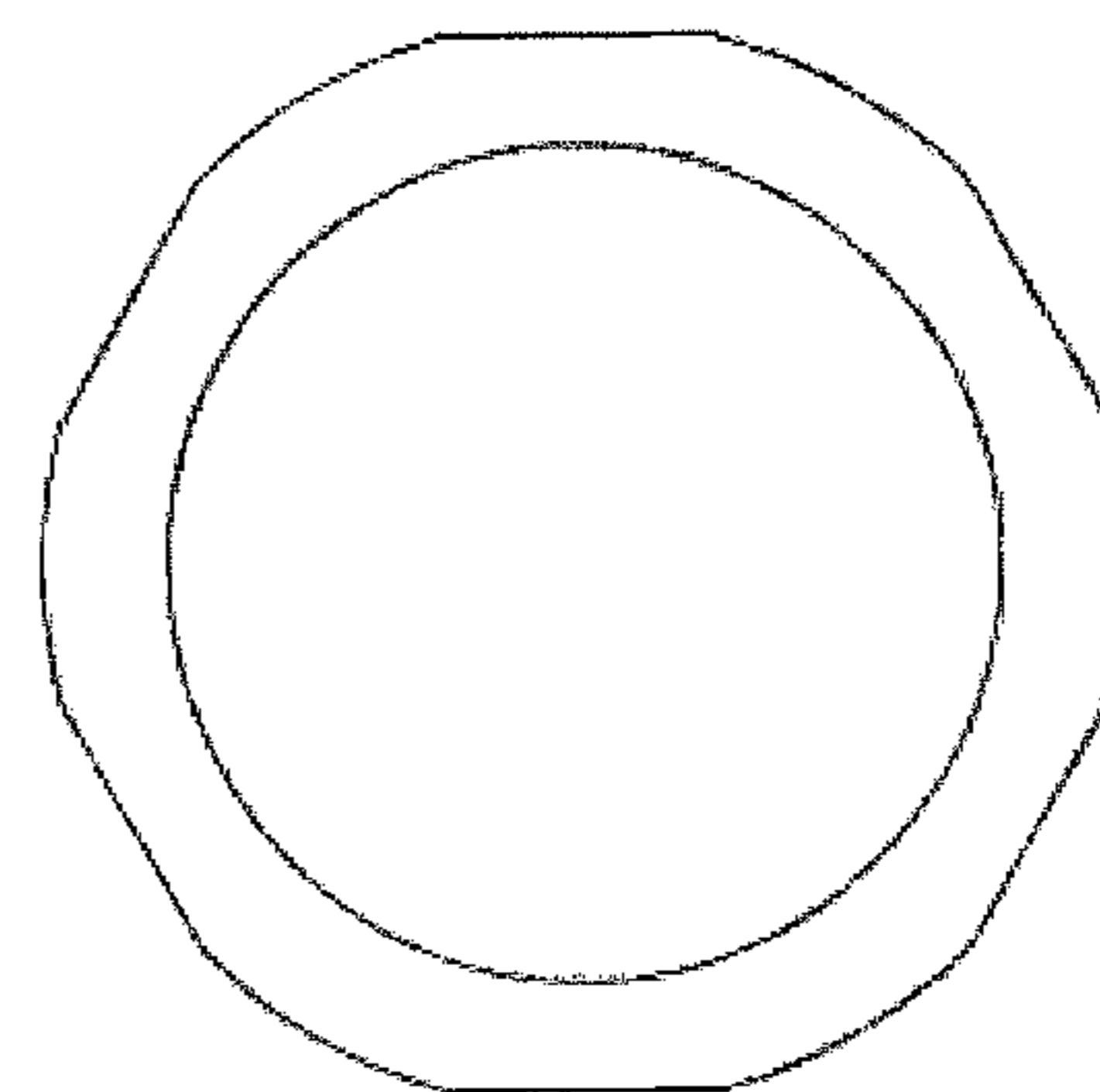
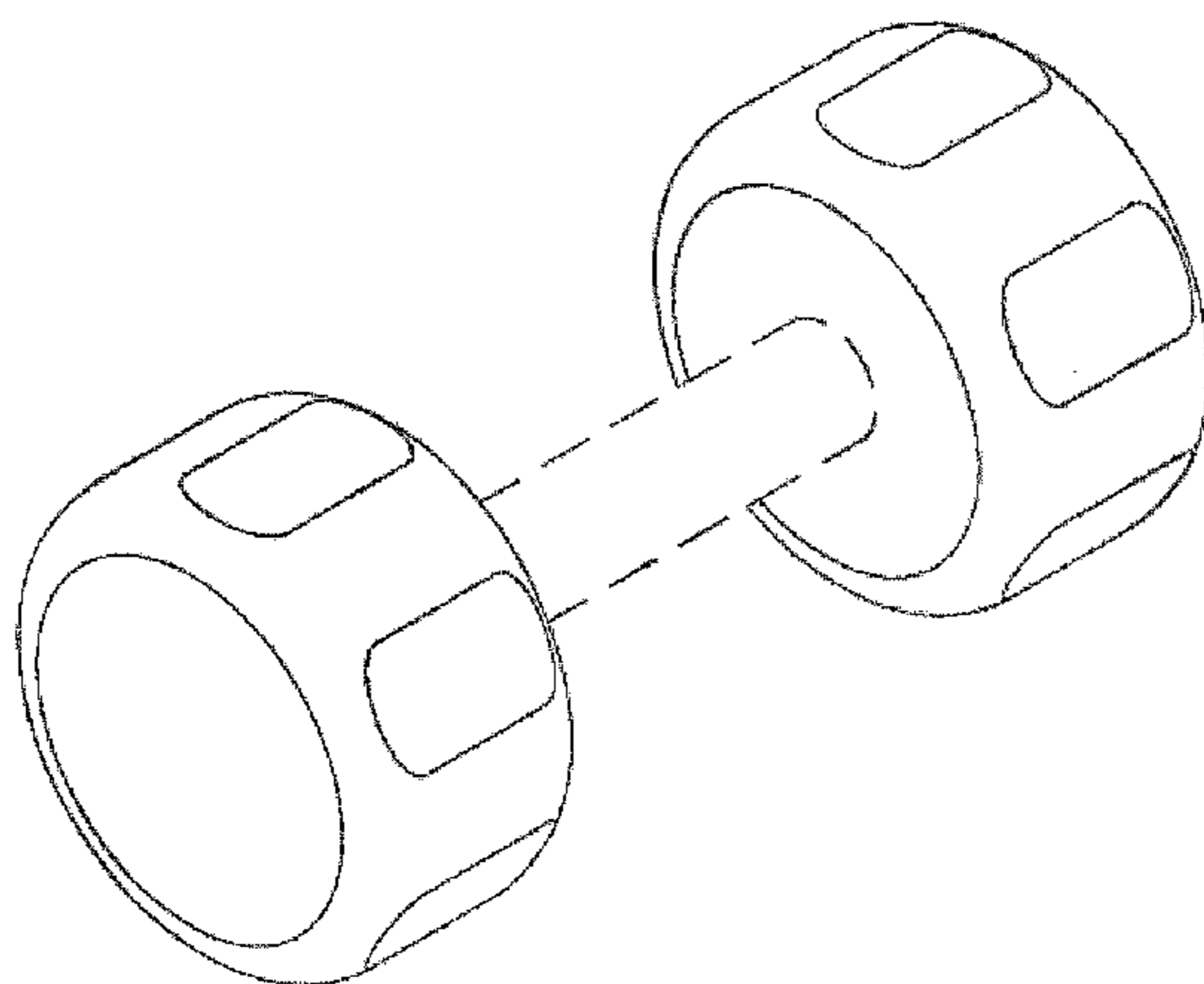
FIG. 2 is a top view of the design according to the invention. The bottom side view of the third design is exactly the same as the top view.

FIG. 3 is a front side view of the design according to the invention. The rear side view of the third design is exactly the same as the front view.

FIG. 4 is a right view of the design according to the invention; and,

FIG. 5 is a left view of the design according to the invention. The broken lines illustrate environmental structure and form no part of the claimed design.

1 Claim, 2 Drawing Sheets



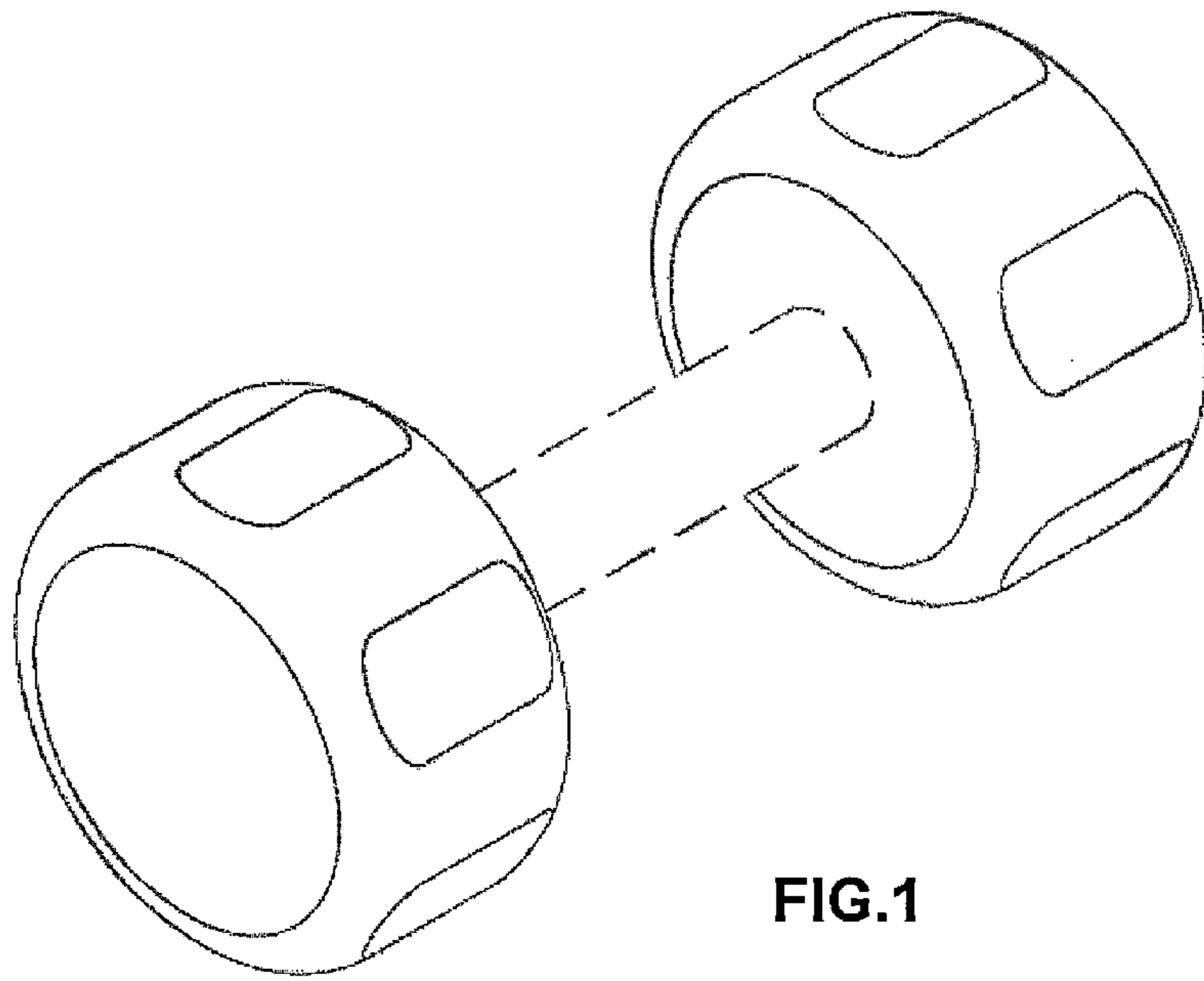


FIG. 1

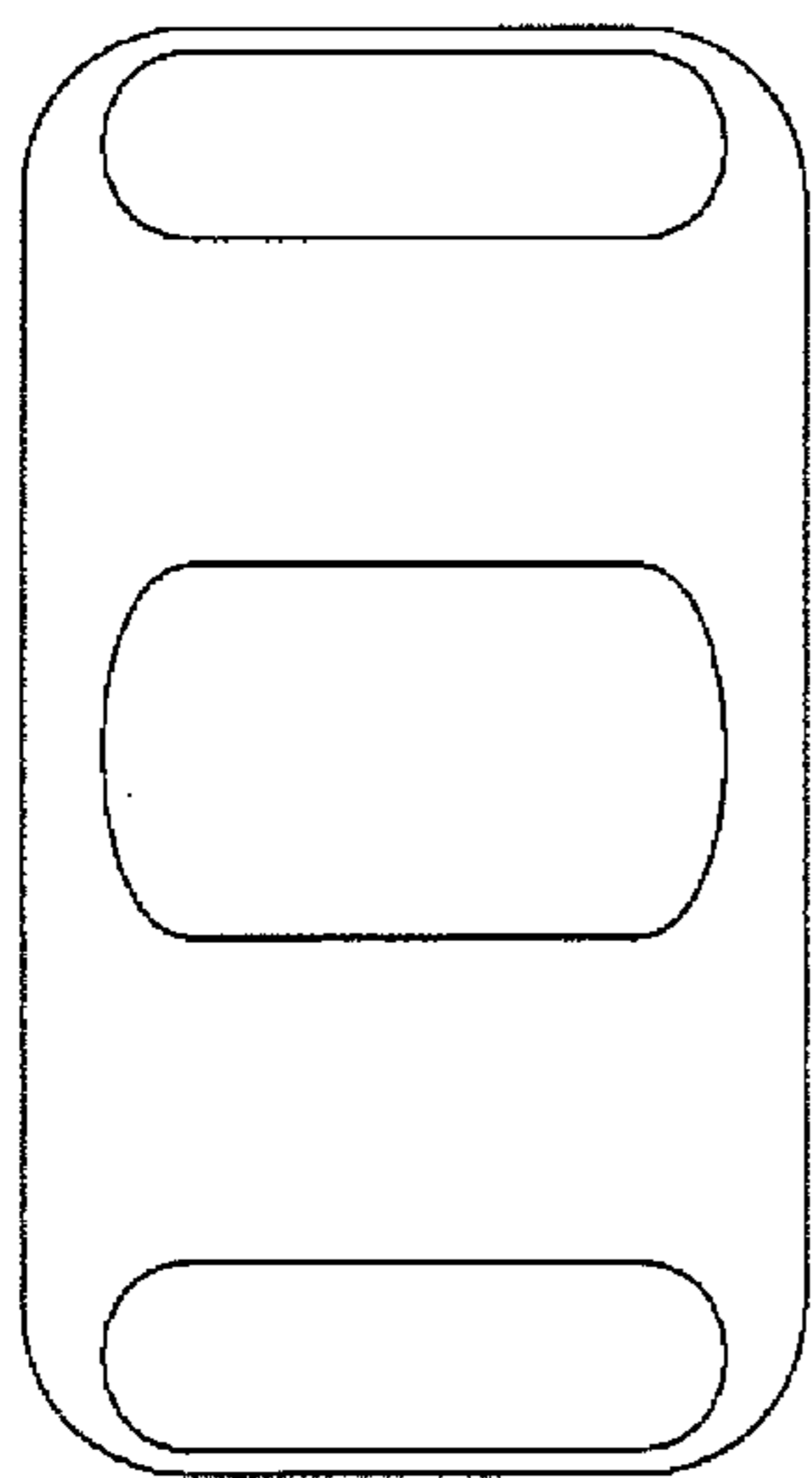


FIG. 2

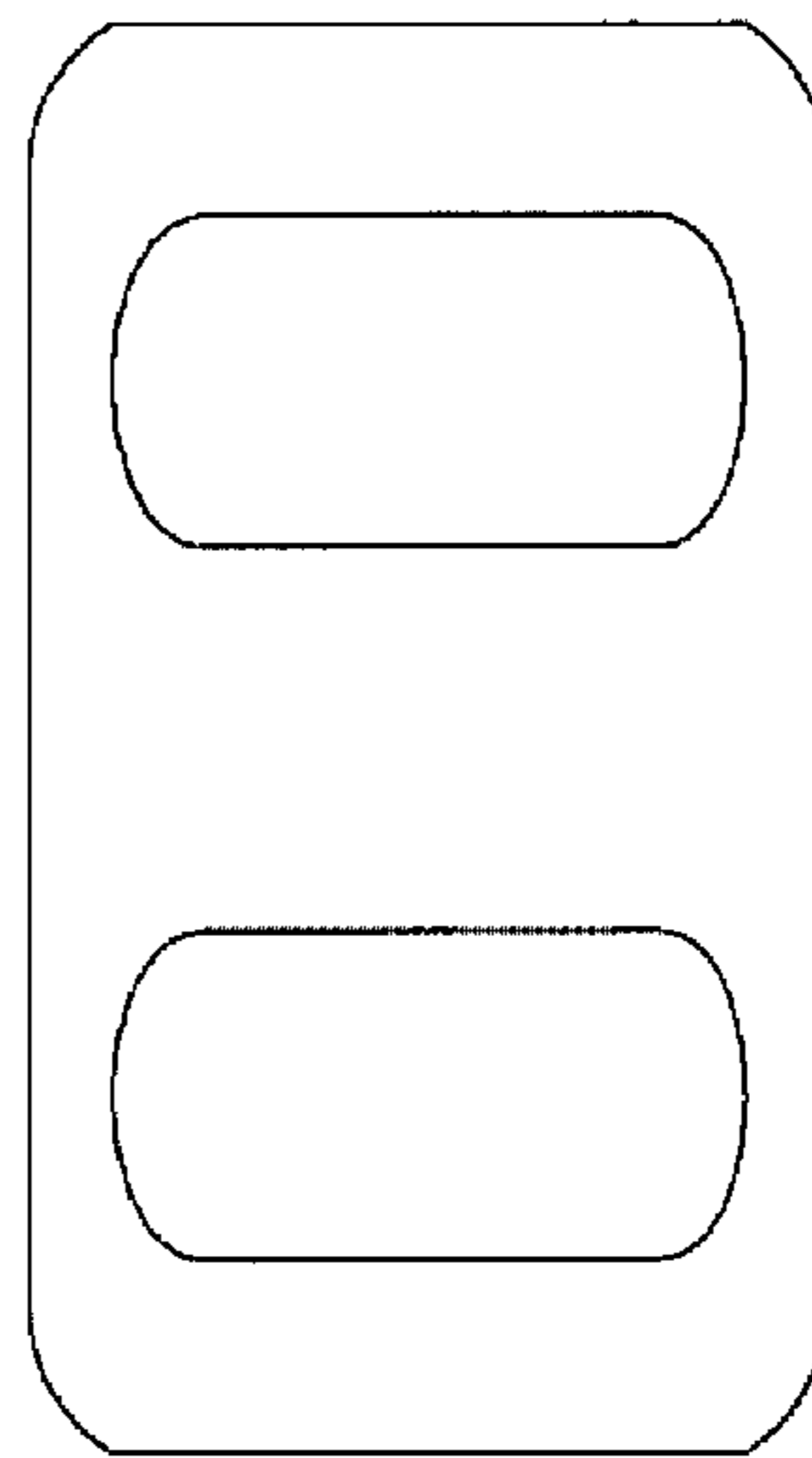


FIG. 3

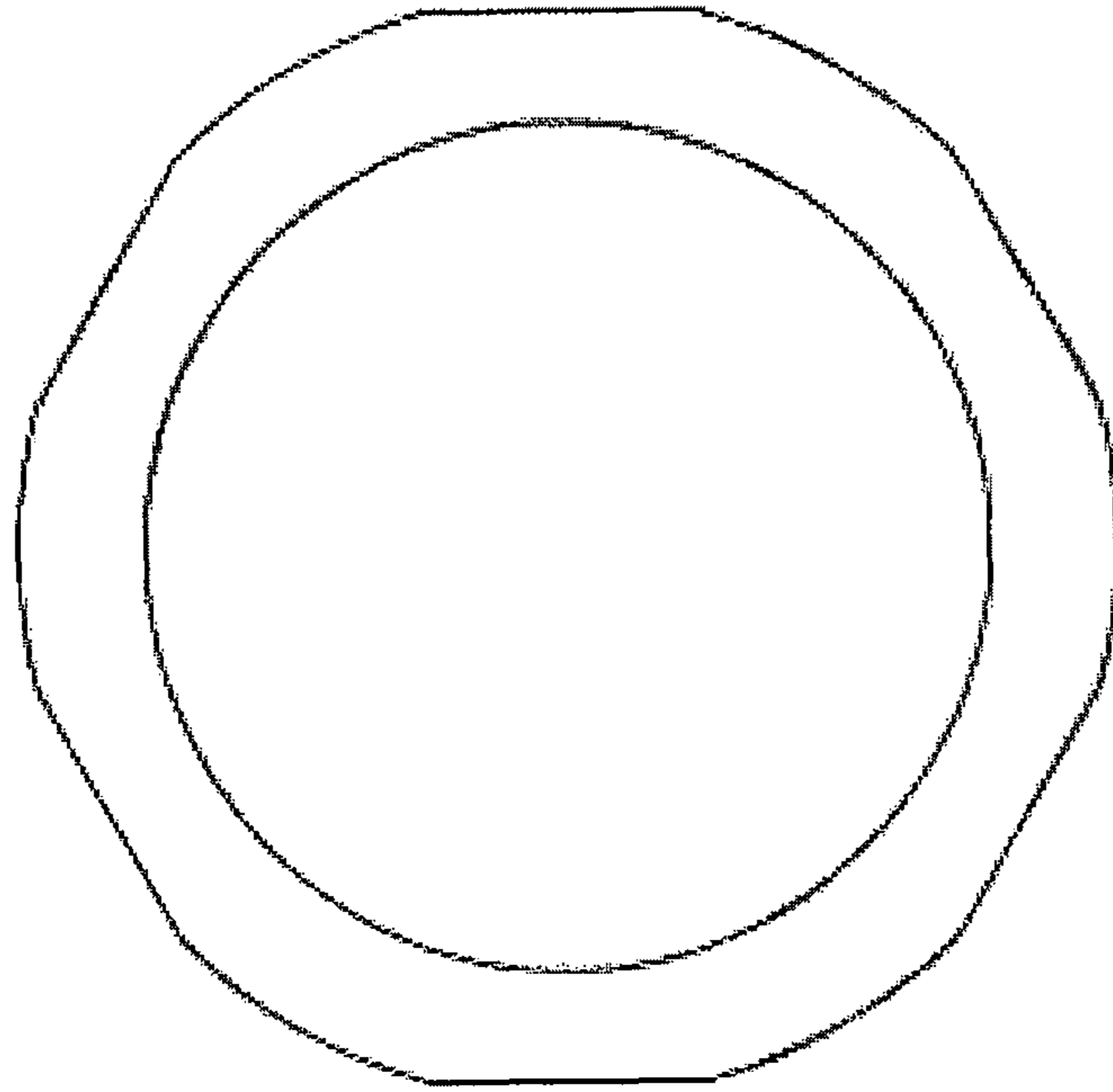


FIG.4

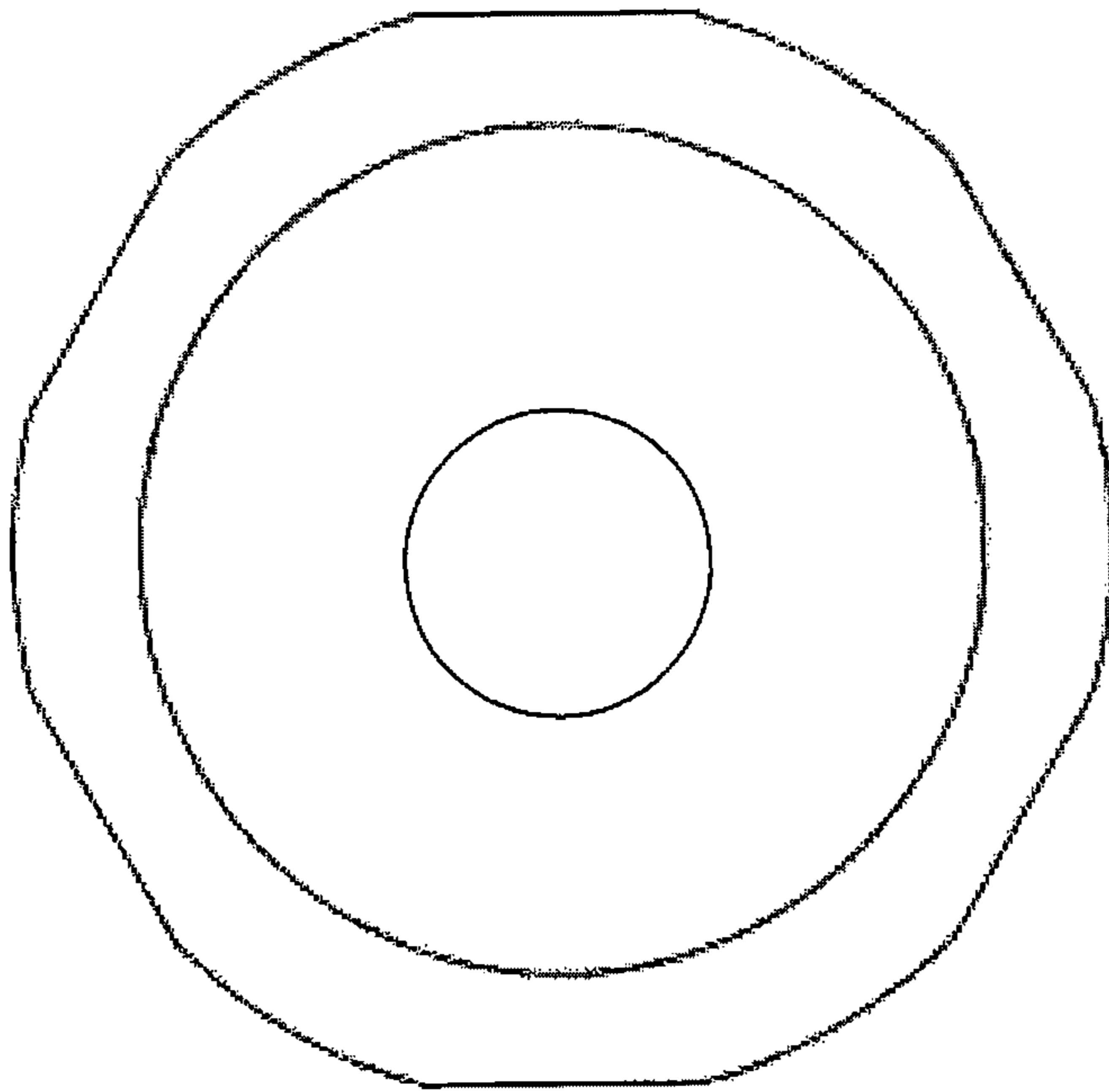


FIG.5