

US00D692968S

(12) **United States Design Patent**
Alessandri et al.

(10) **Patent No.:** **US D692,968 S**
(45) **Date of Patent:** **** Nov. 5, 2013**

(54) **GYMNASTIC MACHINE**
(71) Applicant: **Technogym S.p.A.**, Gambettola (IT)
(72) Inventors: **Nerio Alessandri**, Longiano (IT);
Francesco Calcaterra, Forli (IT);
Mario Fedriga, Forli (IT)
(73) Assignee: **Technogym S.p.A.**, Gambettola (IT)
(**) Term: **14 Years**
(21) Appl. No.: **29/445,740**
(22) Filed: **Feb. 15, 2013**

D493,854	S	*	8/2004	Grider	D21/694
D513,287	S	*	12/2005	Panatta	D21/676
D513,288	S	*	12/2005	Panatta	D21/676
D516,140	S	*	2/2006	Panatta	D21/676
D516,142	S	*	2/2006	Panatta	D21/676
D517,134	S	*	3/2006	Panatta	D21/676
7,108,641	B2	*	9/2006	Pertegaz-Esteban	482/139
7,128,695	B2	*	10/2006	Panatta	482/100
7,364,535	B1	*	4/2008	Rosenow et al.	482/101
7,654,938	B2	*	2/2010	Webber et al.	482/72
D613,350	S	*	4/2010	Fenster	D21/675
7,717,833	B1	*	5/2010	Nelson et al.	482/100
7,775,945	B2	*	8/2010	Smith	482/100
7,905,819	B2	*	3/2011	Alessandri et al.	482/99
8,177,693	B2	*	5/2012	Webber et al.	482/97
8,262,543	B1	*	9/2012	Batca	482/100
D679,764	S	*	4/2013	Alessandri et al.	D21/675

* cited by examiner

(30) **Foreign Application Priority Data**
Aug. 16, 2012 (EM) 002088559-0009
(51) **LOC (9) Cl.** **21-02**
(52) **U.S. Cl.**
USPC **D21/676**; D21/662
(58) **Field of Classification Search**
USPC D21/662, 675, 676, 680, 681, 682, 683,
D21/690, 694; 482/72, 93, 94, 97-102, 104,
482/106-108; D8/330
See application file for complete search history.

Primary Examiner — Susan E Krakower
(74) *Attorney, Agent, or Firm* — Steinfl & Bruno, LLP

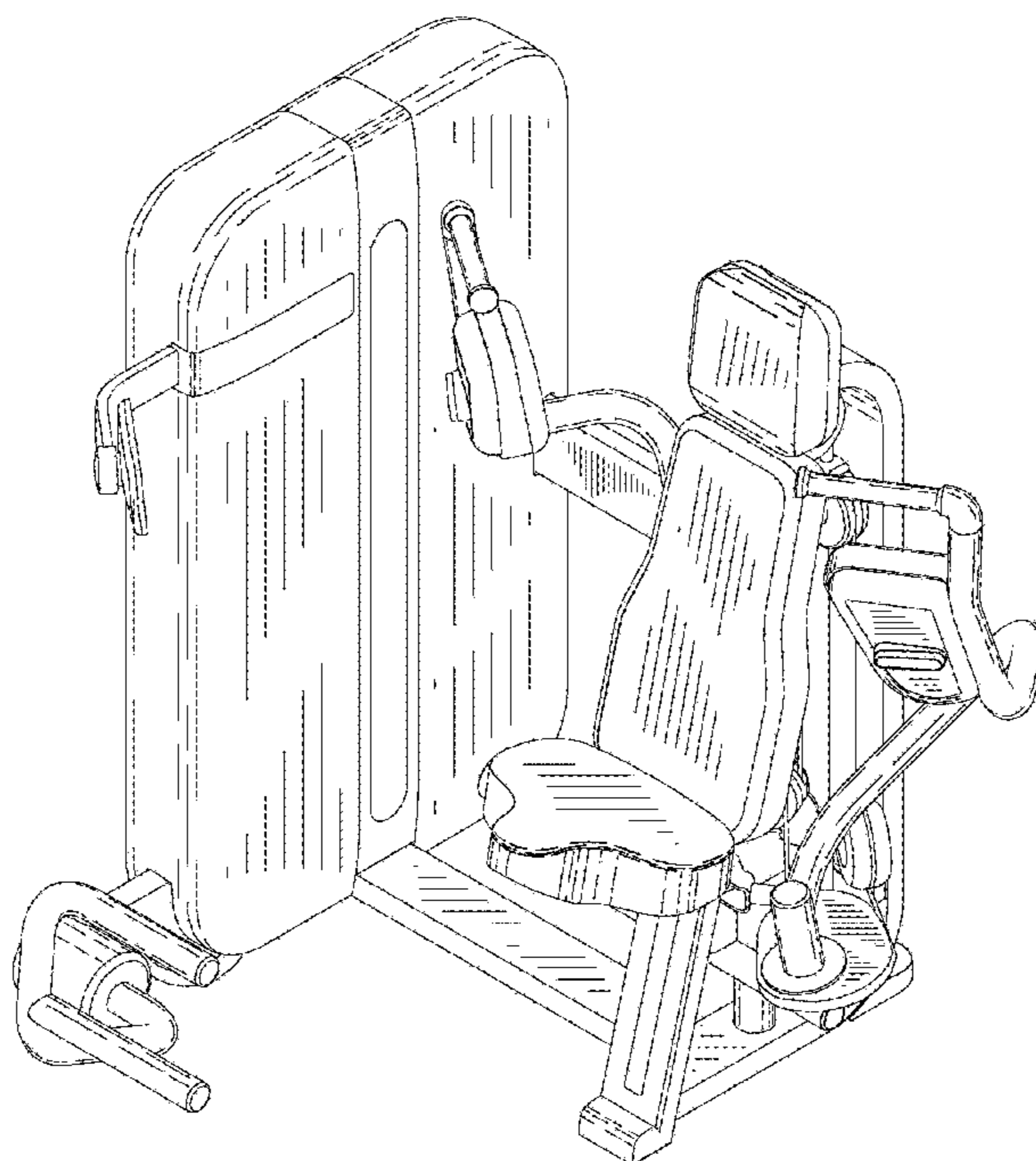
(56) **References Cited**
U.S. PATENT DOCUMENTS
6,132,347 A * 10/2000 Alessandri 482/134
6,152,864 A * 11/2000 Giannelli et al. 482/100
6,171,219 B1 * 1/2001 Simonson 482/100
D491,237 S * 6/2004 Giannelli et al. D21/676

(57) **CLAIM**
The ornamental design for the gymnastic machine, as shown and described.

DESCRIPTION

FIG. 1 is a top, front and side perspective view of the gymnastic machine.
FIG. 2 is a left side view of the gymnastic machine.
FIG. 3 is a right side view of the gymnastic machine.
FIG. 4 is a front view of the gymnastic machine.
FIG. 5 is a rear view of the gymnastic machine; and,
FIG. 6 is a top view of the gymnastic machine.

1 Claim, 6 Drawing Sheets



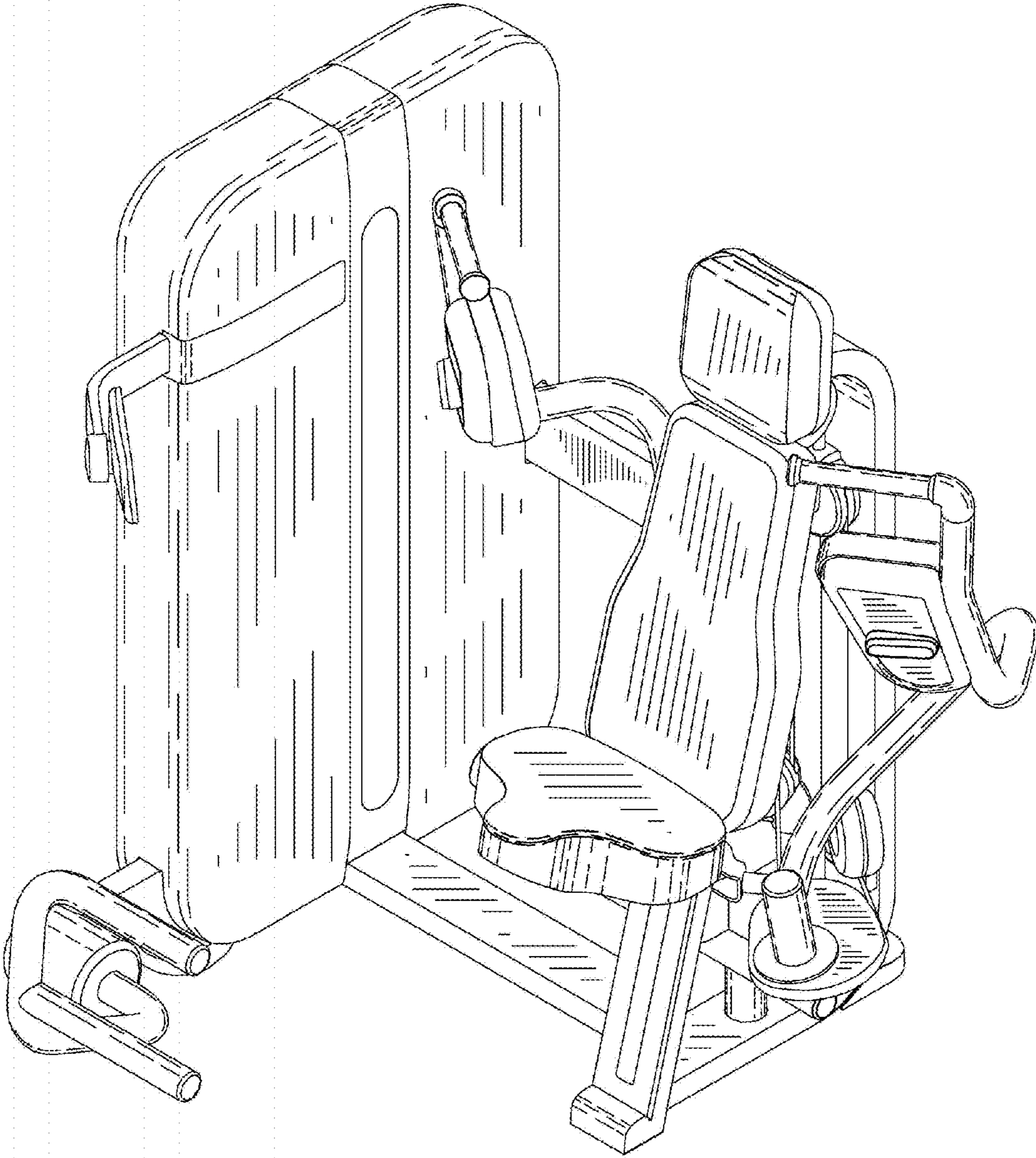


Fig. 1

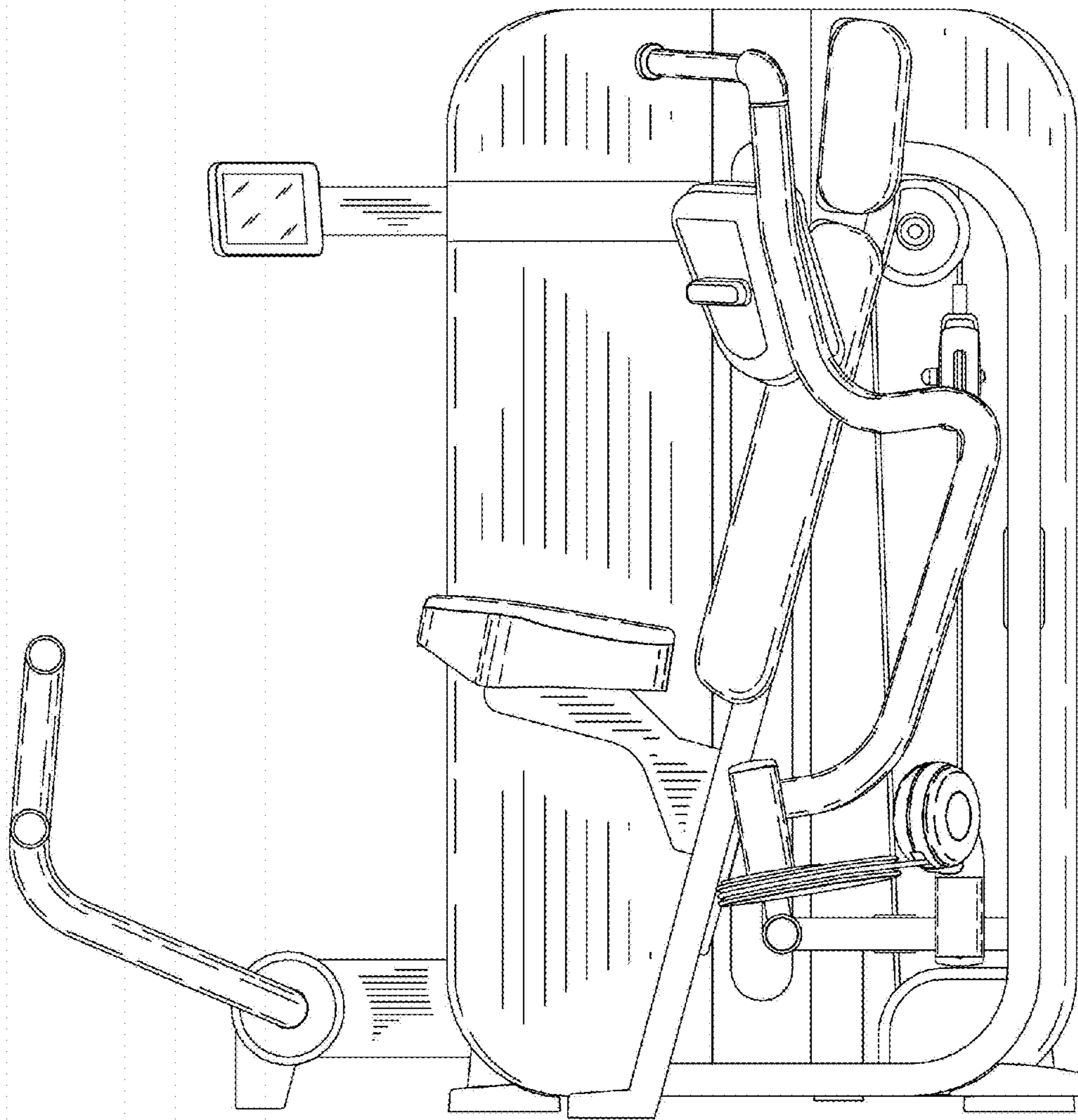


Fig. 2

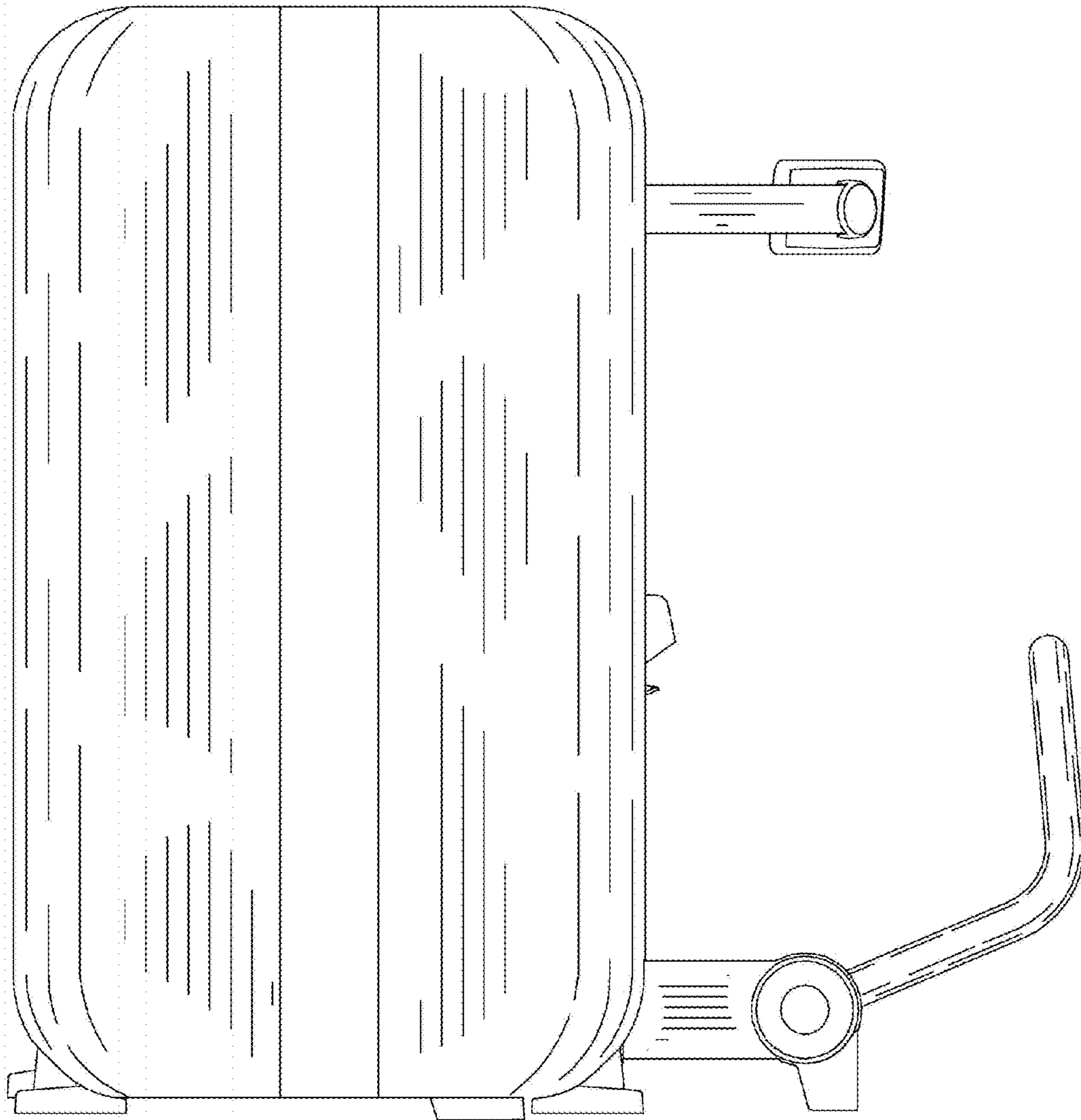


Fig. 3

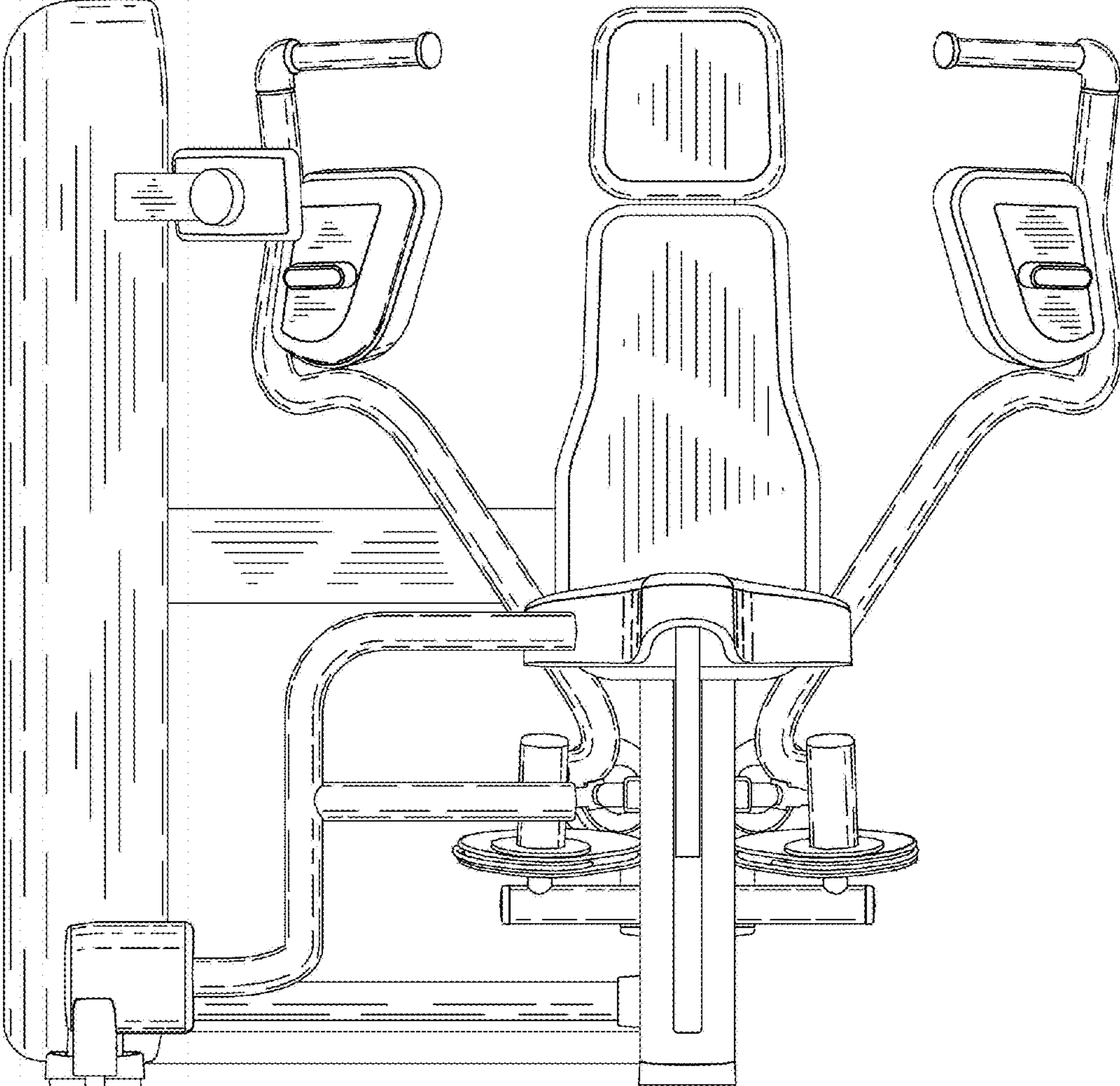


Fig. 4

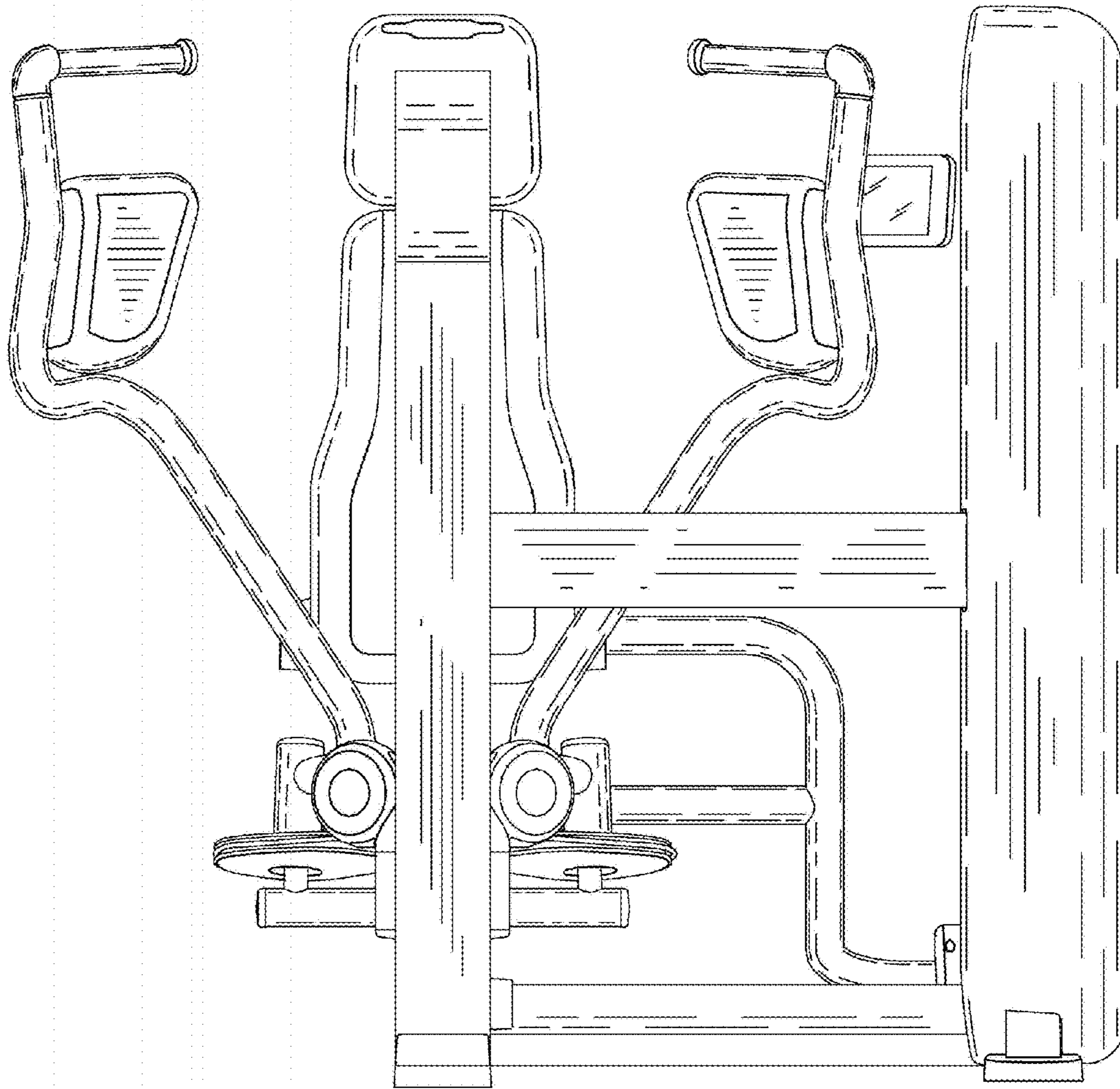


Fig. 5

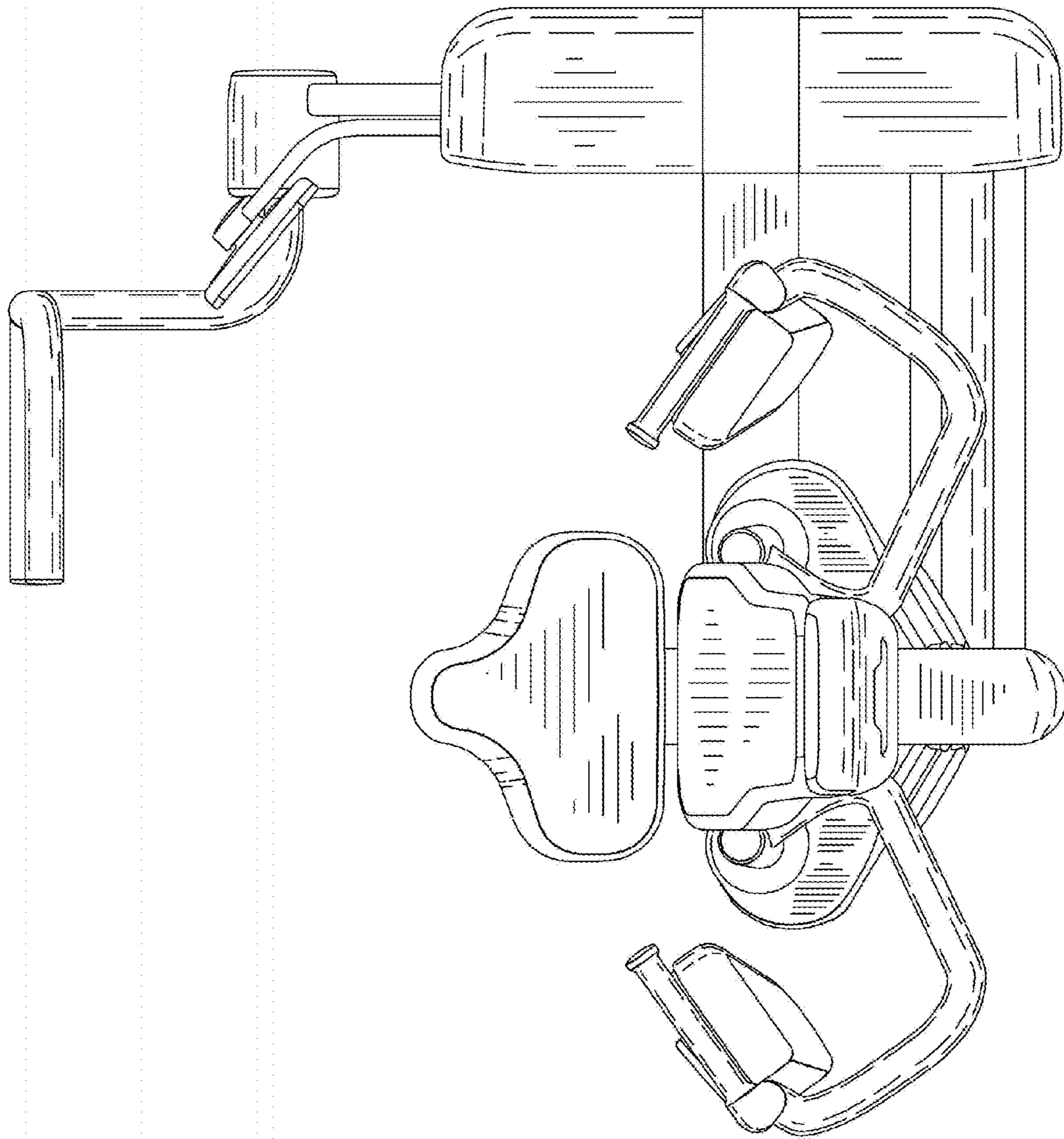


Fig. 6