

US00D692967S

(12) **United States Design Patent**
Alessandri et al.

(10) **Patent No.:** **US D692,967 S**
(45) **Date of Patent:** **** Nov. 5, 2013**

(54) **MULTISTATION EXERCISE APPARATUS**

(71) Applicant: **Technogym S.p.A.**, Gambettola (IT)

(72) Inventors: **Nerio Alessandri**, Longiano (IT);
Francesco Calcaterra, Forli (IT)

(73) Assignee: **Technogym S.p.A.**, Gambettola (IT)

(**) Term: **14 Years**

(21) Appl. No.: **29/445,739**

(22) Filed: **Feb. 15, 2013**

(30) **Foreign Application Priority Data**

Aug. 16, 2012 (EM) 002088559-0005

(51) **LOC (9) Cl.** **21-02**

(52) **U.S. Cl.**
USPC **D21/675; D21/662**

(58) **Field of Classification Search**
USPC D21/662, 675, 676, 680, 681, 682, 683,
D21/694; 482/72, 93, 94, 97-102, 104,
482/106-108; D8/330
See application file for complete search history.

(56) **References Cited**

U.S. PATENT DOCUMENTS

D204,397 S * 4/1966 Marcyan et al. D21/675
3,640,528 A * 2/1972 Proctor 482/102
D260,542 S * 9/1981 Lambert, Jr. D21/675
D262,813 S * 1/1982 Lambert et al. D21/675
D321,024 S * 10/1991 Brentham D21/676

5,054,773 A * 10/1991 Parviainen 482/98
5,263,915 A * 11/1993 Habing 482/99
5,417,633 A * 5/1995 Habing 482/97
5,514,060 A * 5/1996 Hu 482/136
D439,939 S * 4/2001 Batca et al. D21/676
D445,853 S * 7/2001 Batca et al. D21/675
D457,580 S * 5/2002 Webber D21/675
6,447,430 B1 * 9/2002 Webb et al. 482/98
D511,189 S * 11/2005 Panatta D21/673
D599,418 S * 9/2009 Fenster et al. D21/675
7,766,803 B2 * 8/2010 Carter 482/102
7,955,235 B2 * 6/2011 Keiser 482/112
D675,266 S * 1/2013 Alessandri et al. D21/675
D679,764 S * 4/2013 Alessandri et al. D21/675

* cited by examiner

Primary Examiner — Susan E Krakower

(74) *Attorney, Agent, or Firm* — Steinfl & Bruno, LLP

(57) **CLAIM**

The ornamental design for the multistation exercise apparatus, as shown and described.

DESCRIPTION

FIG. 1 is a top, front and side perspective view of the multistation exercise apparatus.

FIG. 2 is a front view of the multistation exercise apparatus.

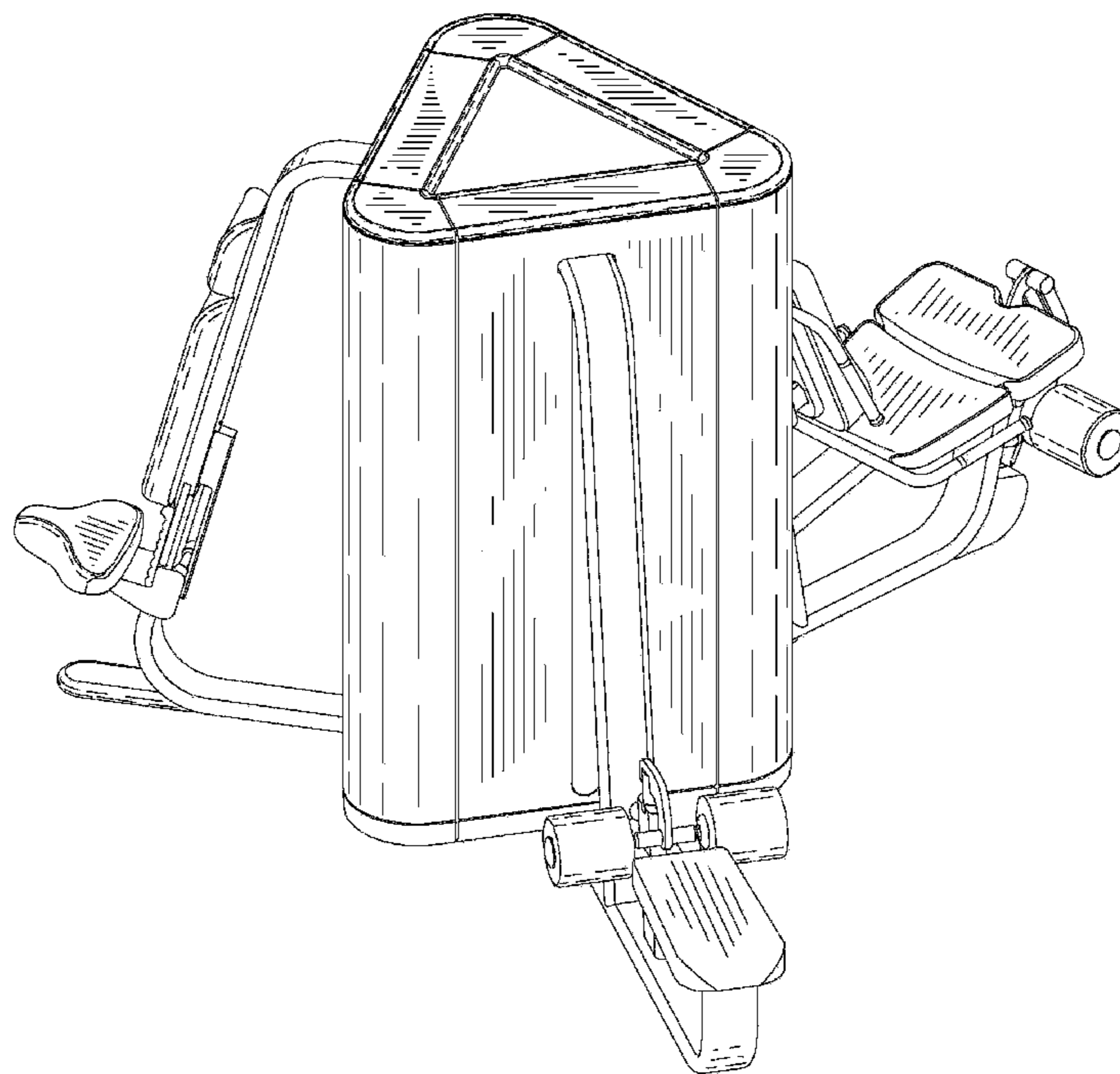
FIG. 3 is a rear view of the multistation exercise apparatus.

FIG. 4 is a right side view of the multistation exercise apparatus.

FIG. 5 is a left side view of the multistation exercise apparatus; and,

FIG. 6 is a top view of the multistation exercise apparatus.

1 Claim, 6 Drawing Sheets



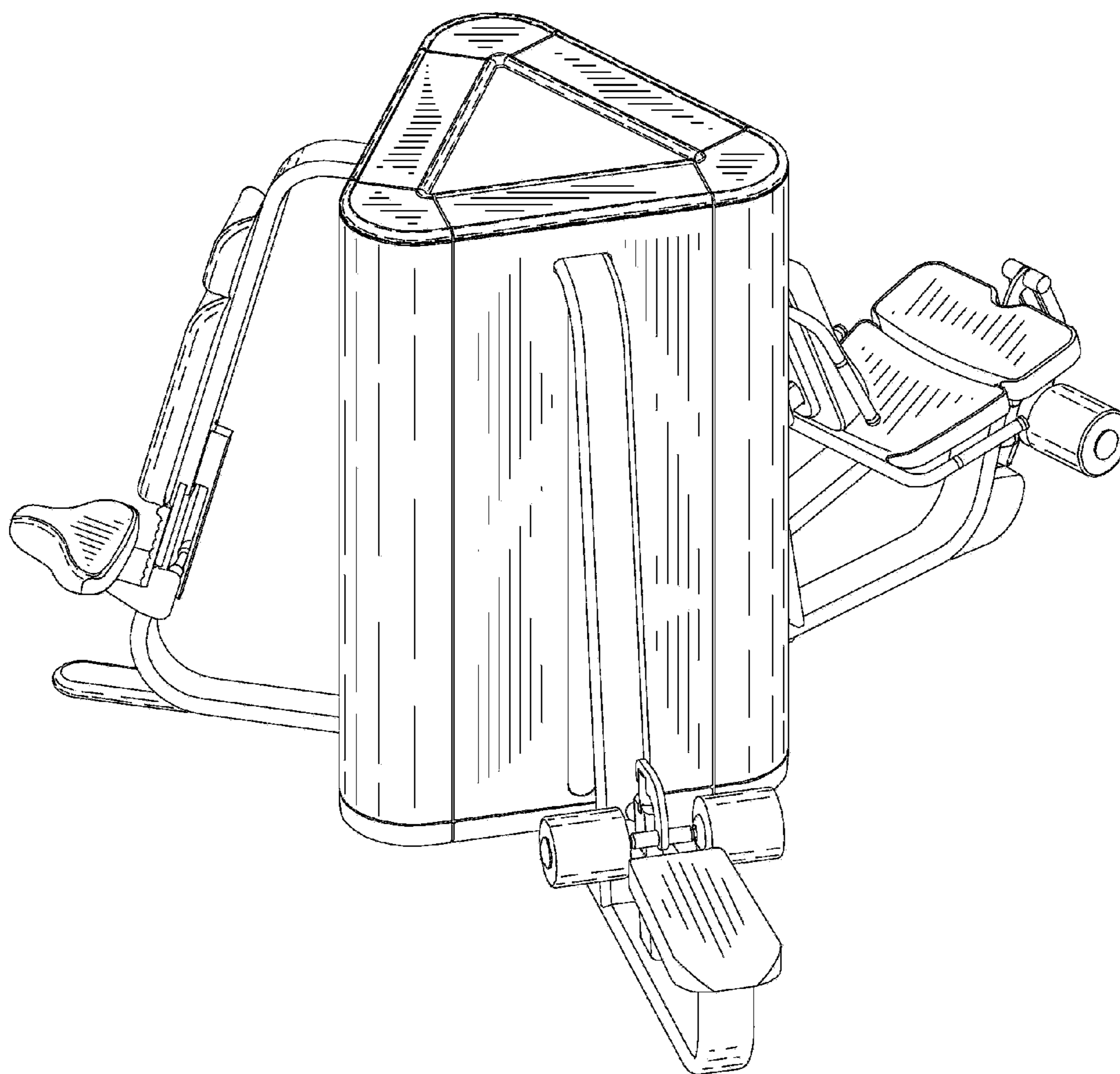


Fig. 1

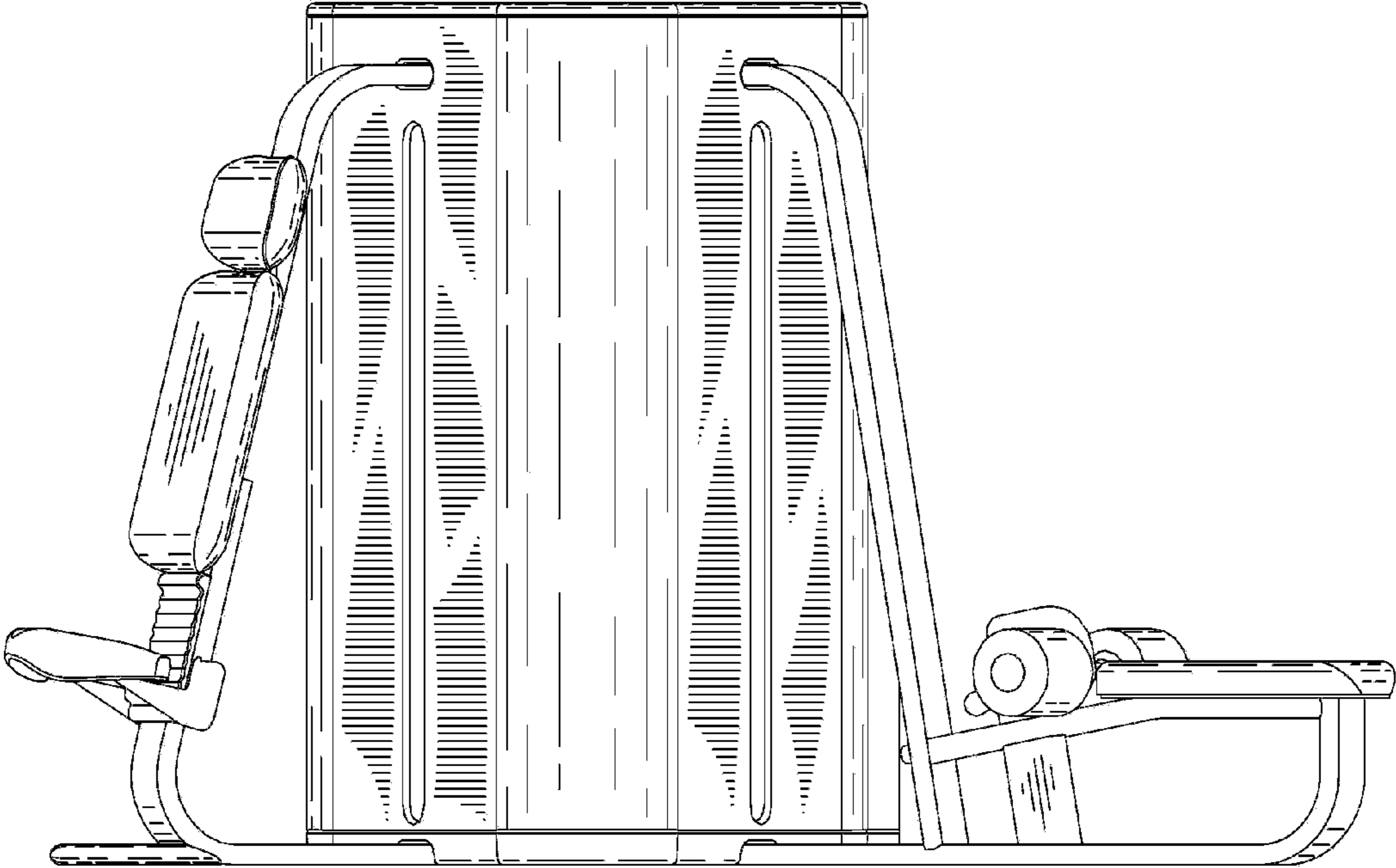


Fig. 2

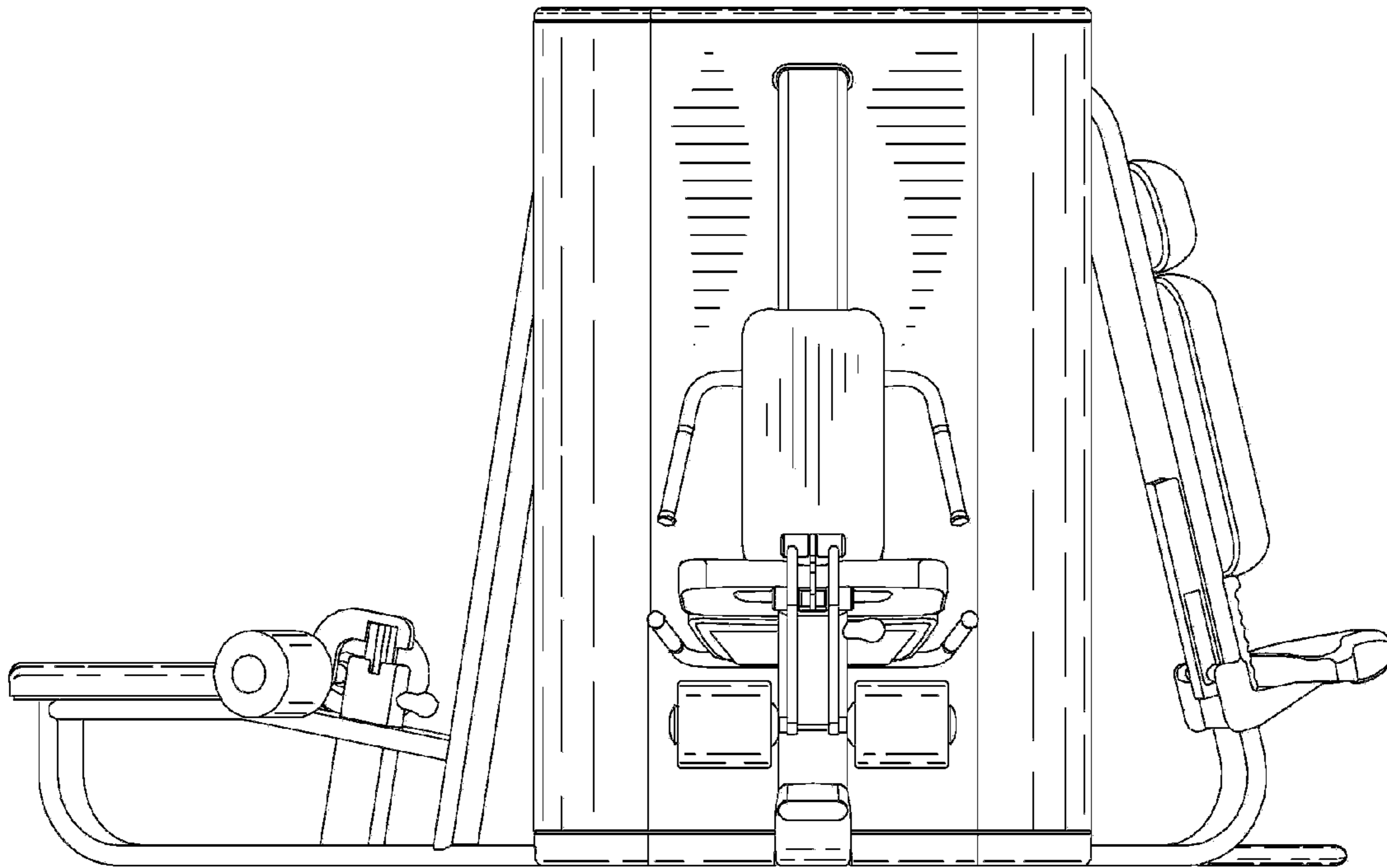


Fig. 3

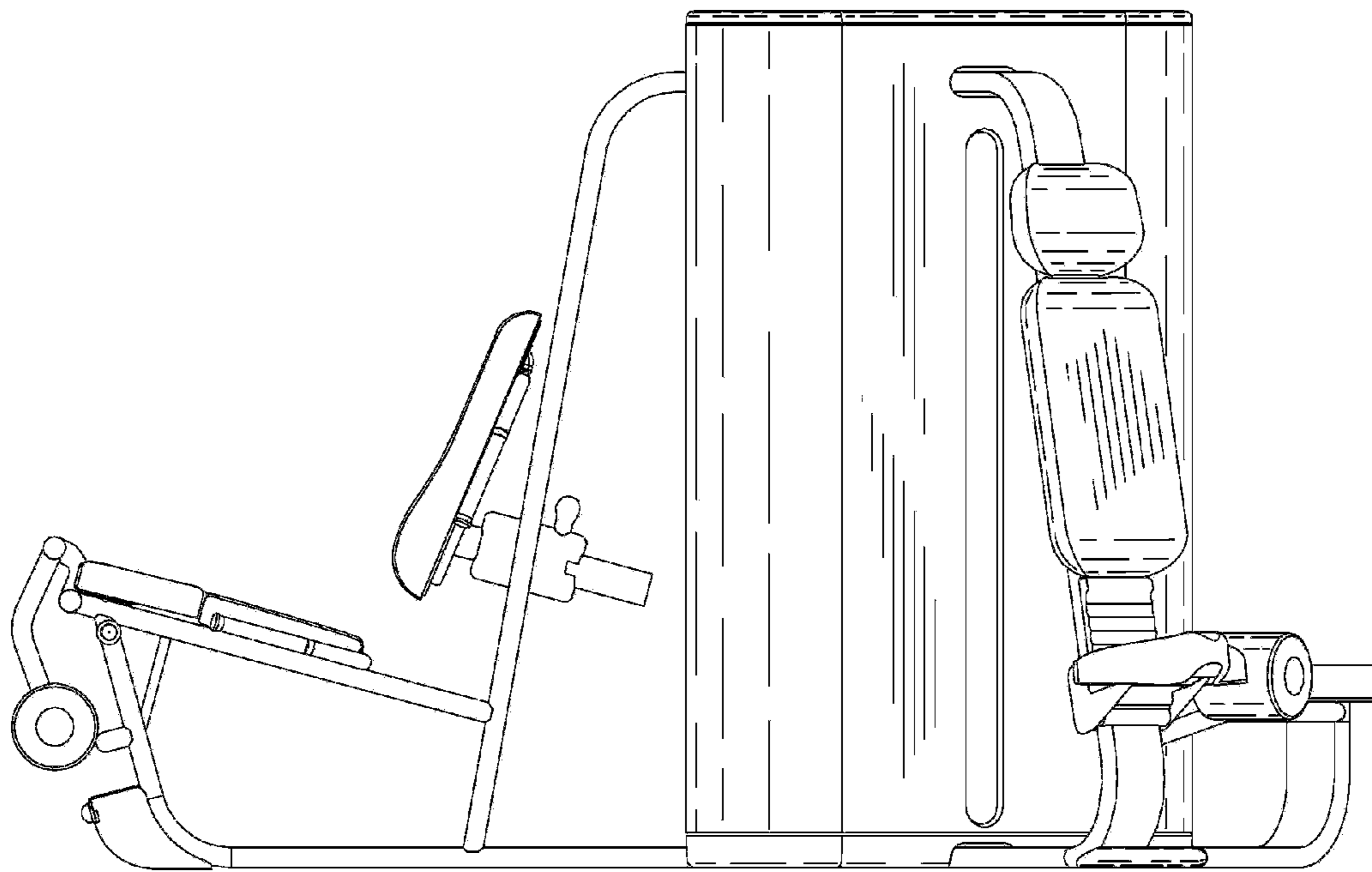


Fig. 4

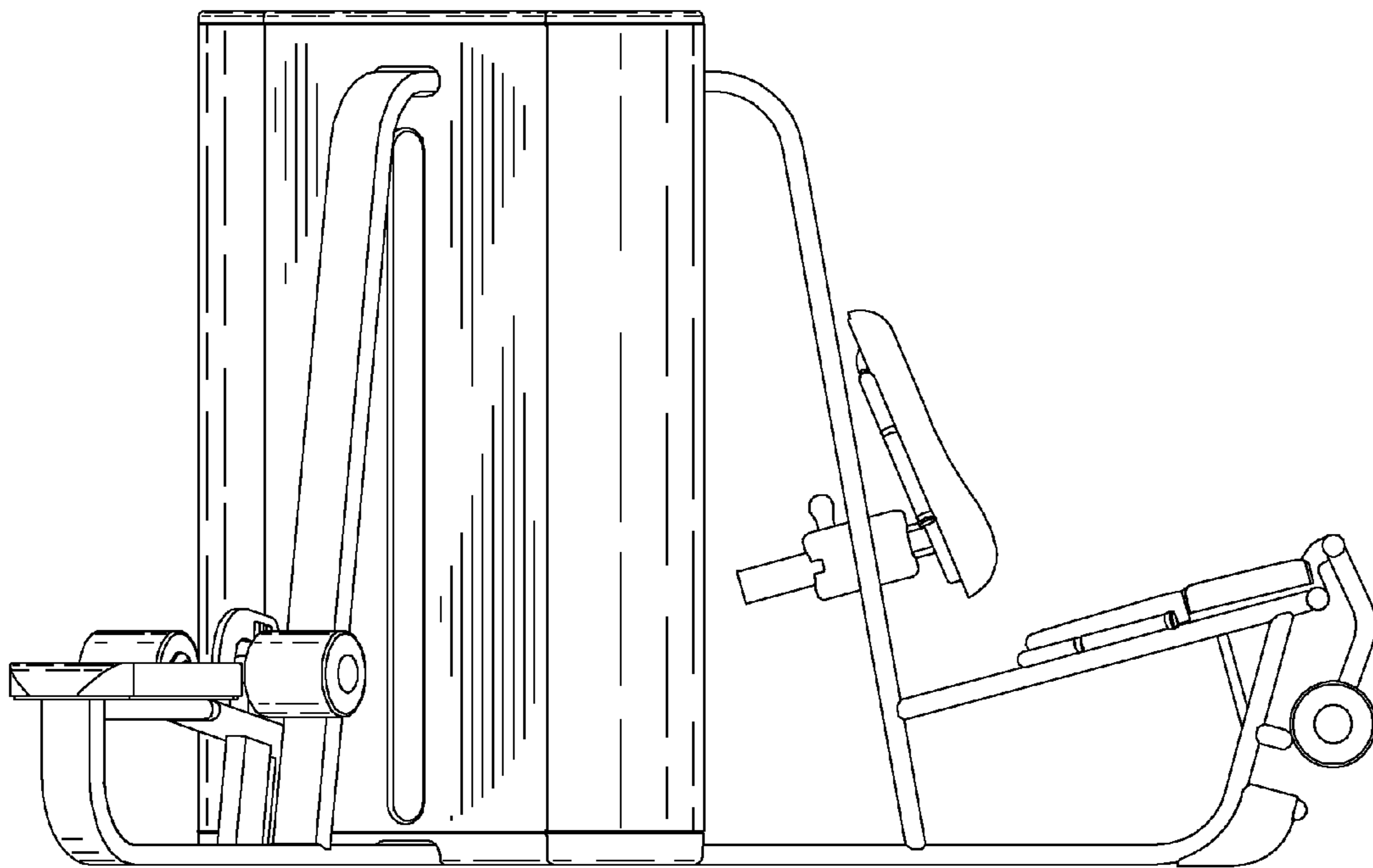


Fig. 5

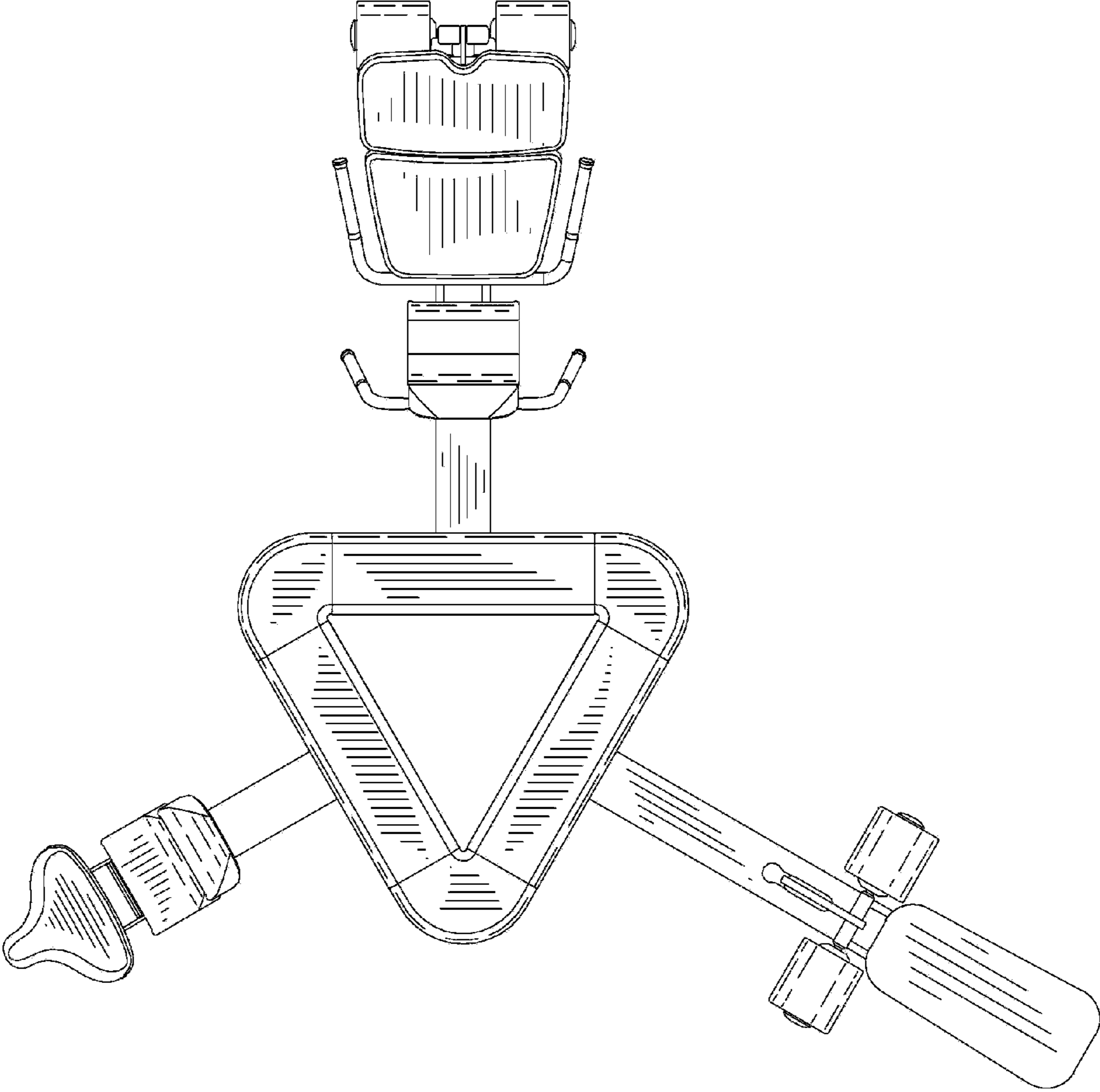


Fig. 6